

US00D460239S

(12) **United States Design Patent**
Nimmo et al.

(10) **Patent No.:** **US D460,239 S**

(45) **Date of Patent:** **** Jul. 9, 2002**

(54) **COMBINED CONVEYOR ROLLER AND
TAPERED SLEEVE**

(75) Inventors: **Frank D. Nimmo**, Cincinnati; **William
R. Merz**, Fairfield; **W. Howard
Newton**, Cincinnati, all of OH (US)

(73) Assignee: **Rolcon, Inc.**, Cincinnati, OH (US)

(**) Term: **14 Years**

(21) Appl. No.: **29/134,249**

(22) Filed: **Dec. 19, 2000**

(51) **LOC (7) Cl.** **12-05**

(52) **U.S. Cl.** **D34/35; D34/29**

(58) **Field of Search** **D34/29, 35; D8/499;**
474/212; 198/851, 838, 853, 825, 345.1;
104/93, 156, 106, 50; 193/37

(56) **References Cited**

U.S. PATENT DOCUMENTS

| | | | | | | |
|-----------|---|---|---------|------------------|-------|-----------|
| 980,523 | A | * | 1/1911 | Heimer | | 198/345.1 |
| 1,136,089 | A | * | 4/1915 | Bernheim | | 198/853 |
| 1,868,860 | A | * | 7/1932 | Von Reis | | 198/345.1 |
| 2,024,024 | A | * | 12/1935 | Carpenter | | 474/212 |
| 3,934,951 | A | * | 1/1976 | Stumpf | | 193/37 |
| 3,978,974 | A | * | 9/1976 | Morrissey et al. | | 193/37 |
| 3,980,172 | A | * | 9/1976 | Degood | | 193/37 |

| | | | | | | |
|-----------|----|---|---------|------------------|-------|---------|
| 4,144,022 | A | * | 3/1979 | Fusco | | 193/37 |
| 4,864,704 | A | * | 9/1989 | Hogan et al. | | 193/37 |
| 4,896,758 | A | * | 1/1990 | Hoszowski | | 193/37 |
| 6,016,900 | A | * | 1/2000 | Longrod | | 193/37 |
| 6,042,061 | A | * | 3/2000 | Shimizu | | 193/37 |
| 6,044,963 | A | * | 4/2000 | Lerch et al. | | 193/37 |
| 6,053,298 | A | * | 4/2000 | Nimmo et al. | | 193/37 |
| 6,059,095 | A | * | 5/2000 | Tsuji | | 193/37 |
| 6,164,439 | A | * | 12/2000 | Stecnicki et al. | | 198/853 |
| 6,305,529 | B1 | * | 10/2001 | Scottie | | 198/853 |

* cited by examiner

Primary Examiner—Cynthia E. Ramirez

(74) *Attorney, Agent, or Firm*—Jacox, Meckstroth & Jenkins

(57) **CLAIM**

The ornamental design of a combined conveyor roller and tapered sleeve, as shown and described.

DESCRIPTION

FIG. 1 is a perspective view of a combined conveyor roller and tapered sleeve showing our new design; FIG. 2 is a side view thereof; FIG. 3 is an end view thereof; and, FIG. 4 is an opposite end view thereof. The roller is shown broken away in FIGS. 1 and 2 for convenience of illustration.

1 Claim, 1 Drawing Sheet

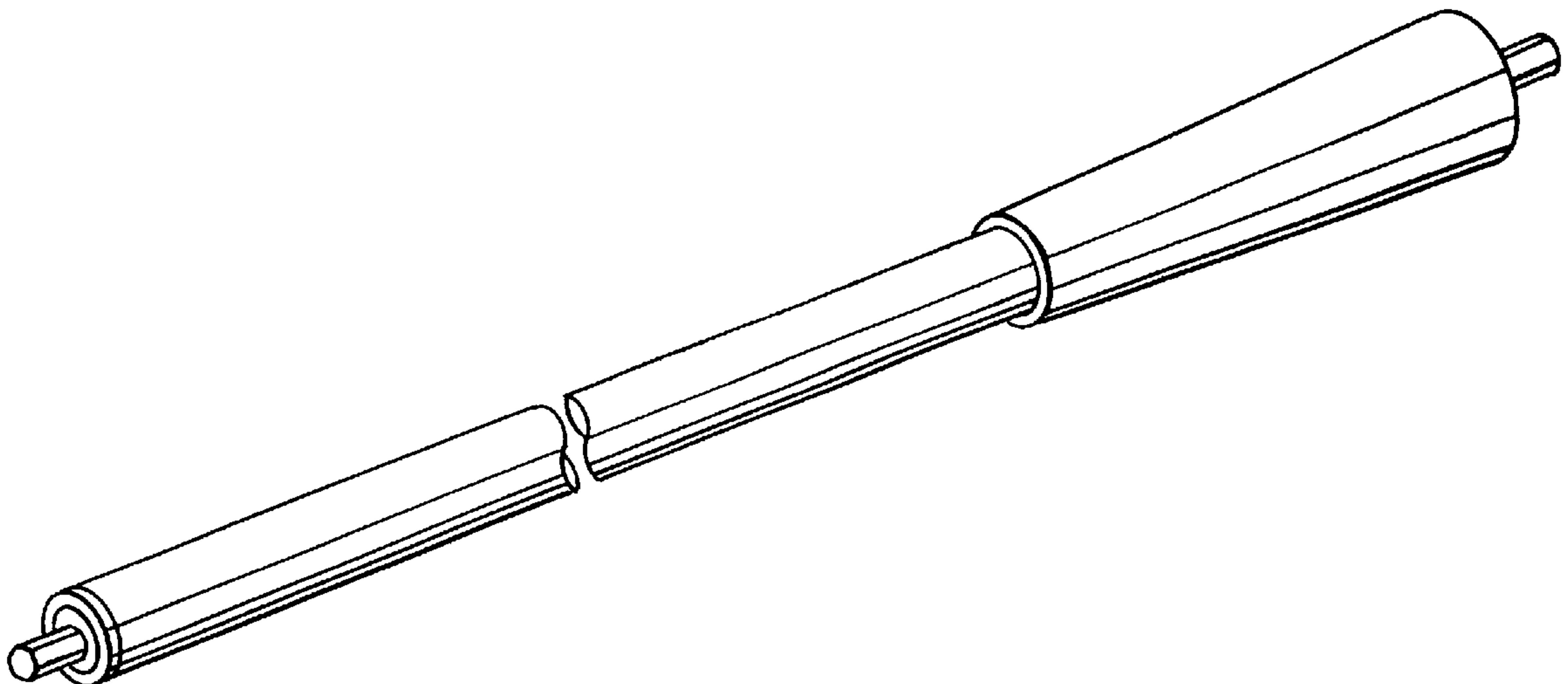


FIG-1

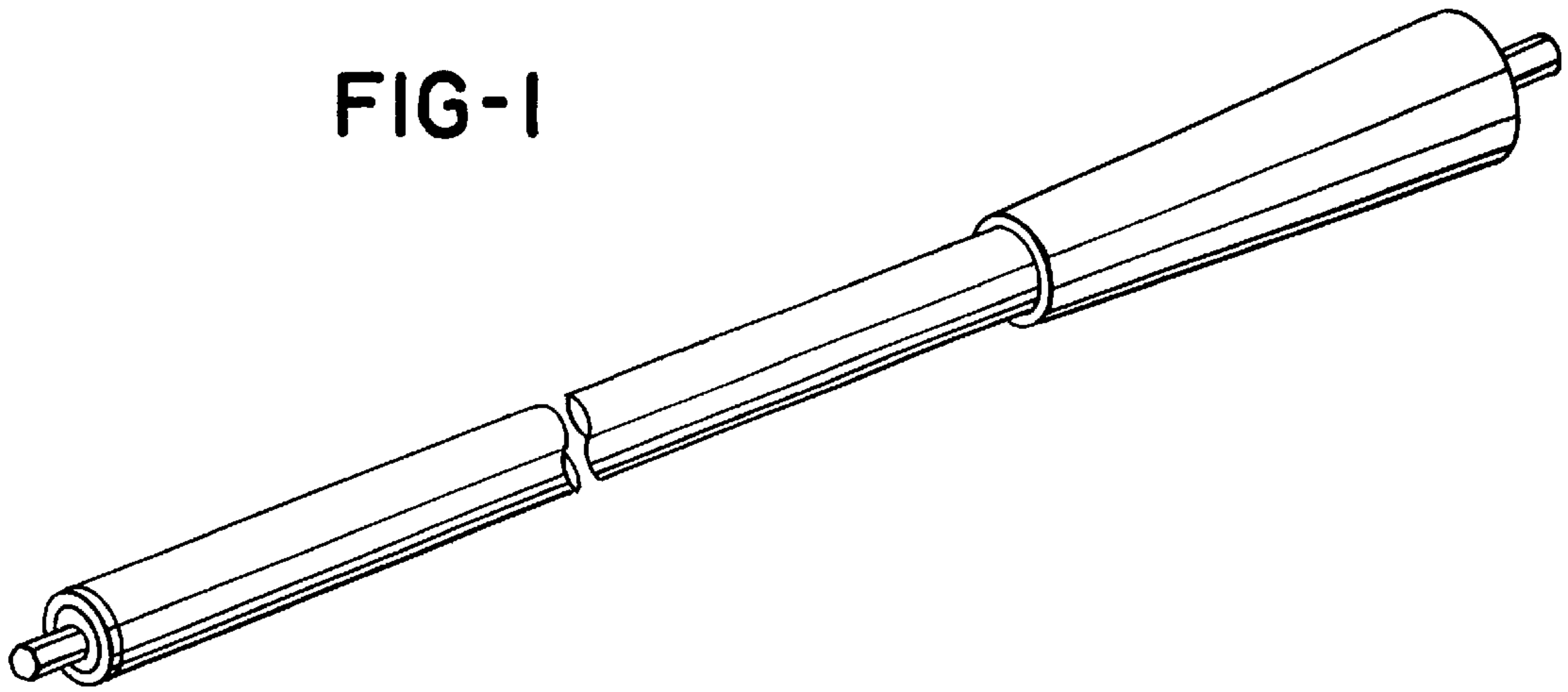


FIG-2

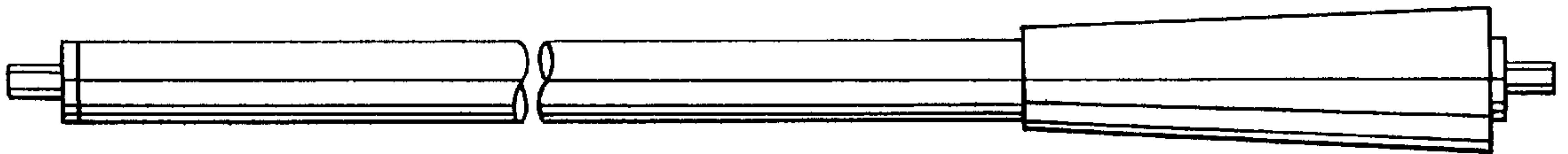


FIG-3



FIG-4

