



US00D460238S

(12) **United States Design Patent**  
**Suzuki**

(10) **Patent No.:** **US D460,238 S**

(45) **Date of Patent:** **\*\* Jul. 9, 2002**

(54) **JACK**

(75) Inventor: **Hiroshi Suzuki**, Ibaraki (JP)

(73) Assignee: **SMK Corporation**, Tokyo (JP)

(\*\*) Term: **14 Years**

(21) Appl. No.: **29/136,258**

(22) Filed: **Jan. 26, 2001**

(30) **Foreign Application Priority Data**

Sep. 6, 2000 (JP) ..... 2000-024850

(51) **LOC (7) Cl.** ..... **12-05**

(52) **U.S. Cl.** ..... **D34/31**

(58) **Field of Search** ..... D34/31; 254/126,  
254/22, 93 H, 134, 420, DIG. 1, 423, 424,  
86 H, 86 R

(56) **References Cited**

**U.S. PATENT DOCUMENTS**

D140,517 S	*	3/1945	Page	.....	D34/31
D140,518 S	*	3/1945	Page	.....	D34/31
3,365,159 A	*	1/1968	Corneliusen	.....	254/93 H
4,202,514 A	*	5/1980	Chen	.....	254/93 H
4,231,550 A	*	11/1980	Castoe	.....	254/126
4,293,012 A	*	10/1981	Pierrat	.....	254/93 H

D324,286 S	*	2/1992	Nudd	.....	D34/31
D384,474 S	*	9/1997	White	.....	D34/31
D388,926 S	*	1/1998	Sorensen	.....	D34/31
D440,022 S	*	4/2001	Simpson et al.	.....	D34/31
D440,730 S	*	4/2001	Lu	.....	D34/31
D447,309 S	*	8/2001	Wilson	.....	D34/31

\* cited by examiner

*Primary Examiner*—Cynthia E. Ramirez

(74) *Attorney, Agent, or Firm*—Harness, Dickey & Pierce, P.L.C.

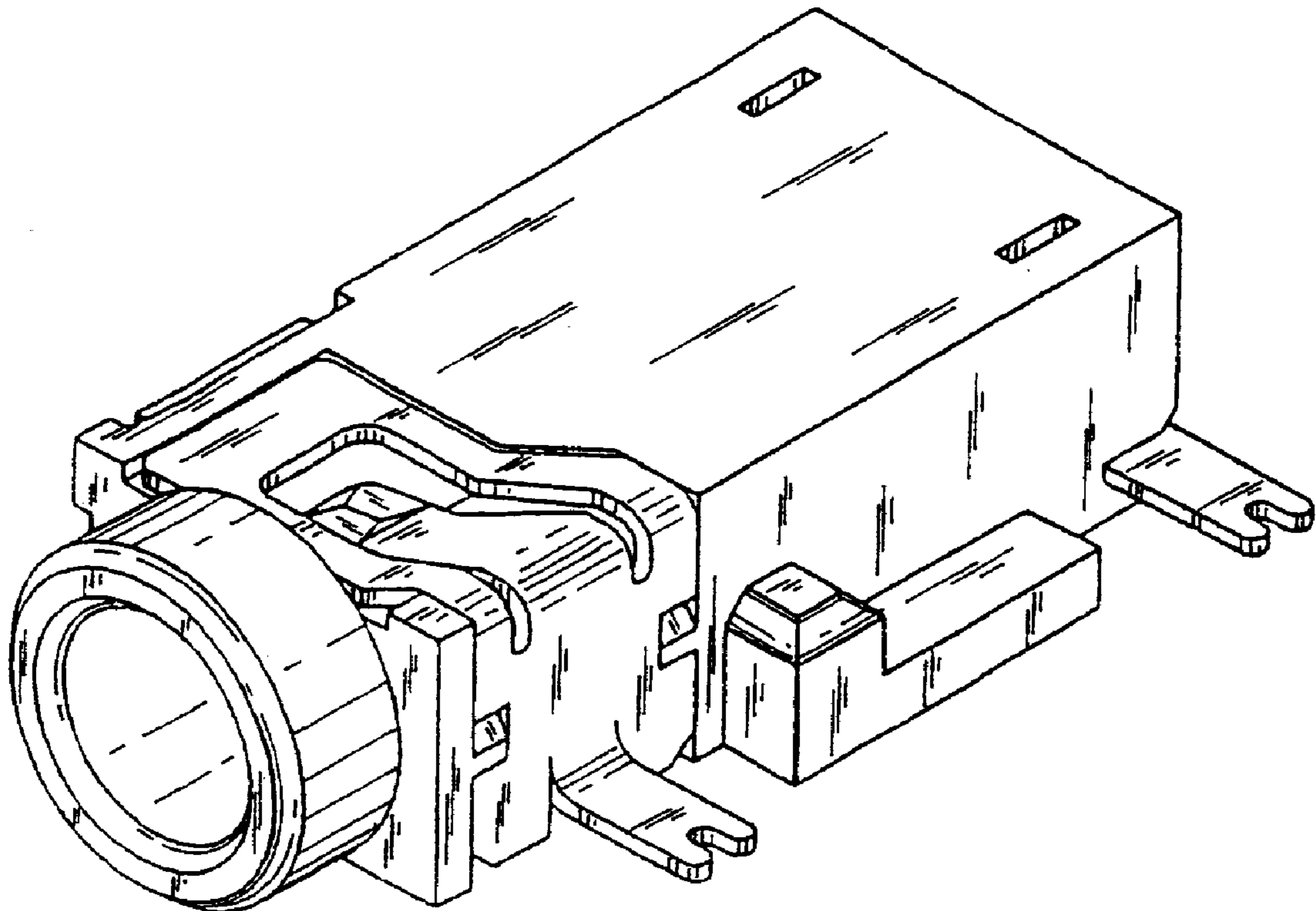
(57) **CLAIM**

The ornamental design for a jack, as shown and described.

**DESCRIPTION**

FIG. 1 is a front view for a jack showing my new design;  
 FIG. 2 is a rear view thereof;  
 FIG. 3 is a right-hand side view thereof;  
 FIG. 4 is a left-hand side view thereof;  
 FIG. 5 is a top view thereof;  
 FIG. 6 is a bottom view thereof;  
 FIG. 7 is a perspective view thereof; and,  
 FIG. 8 is a reference mode, during usage thereof.  
 The broken line showing in FIG. 8 is for illustrative purposes only and forms no part of the claimed design.

**1 Claim, 3 Drawing Sheets**



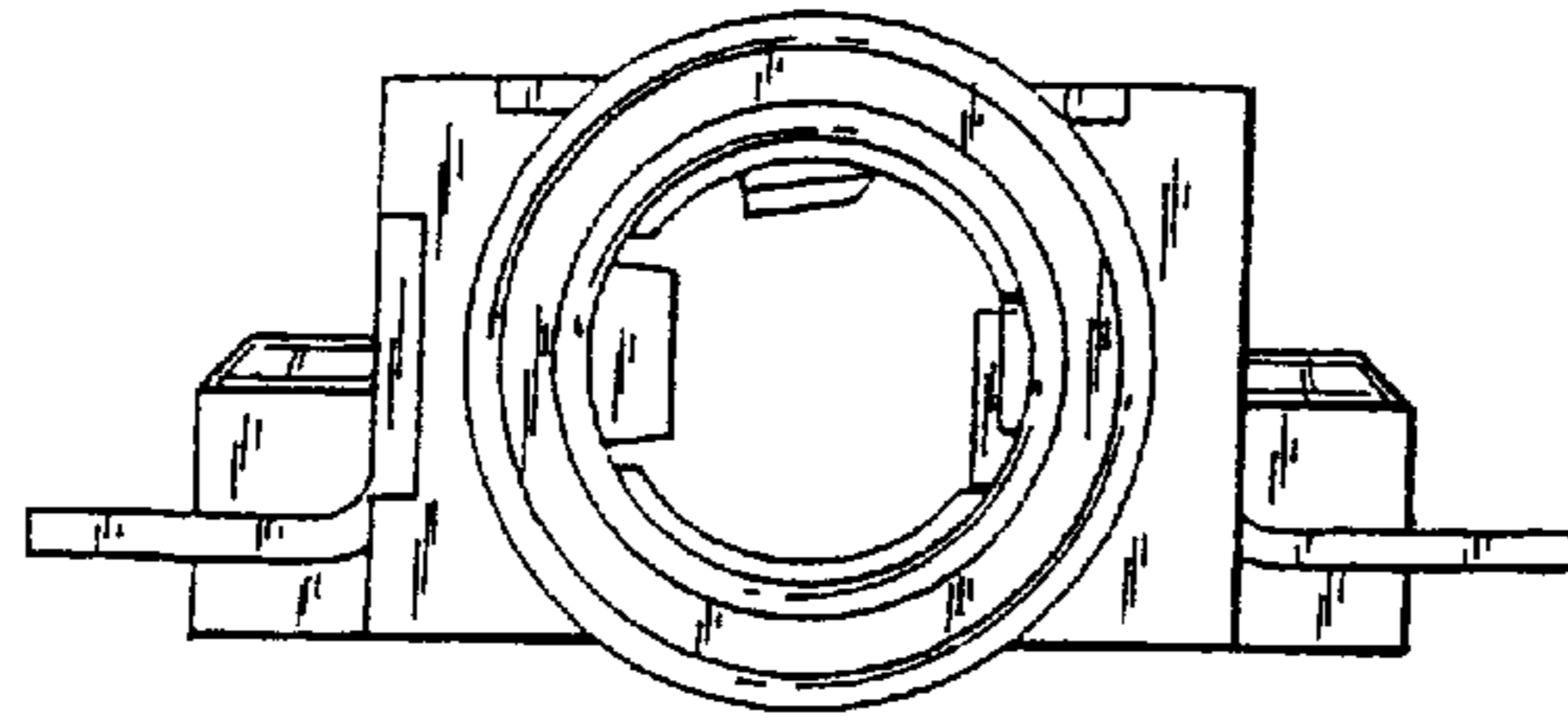


FIG. 1

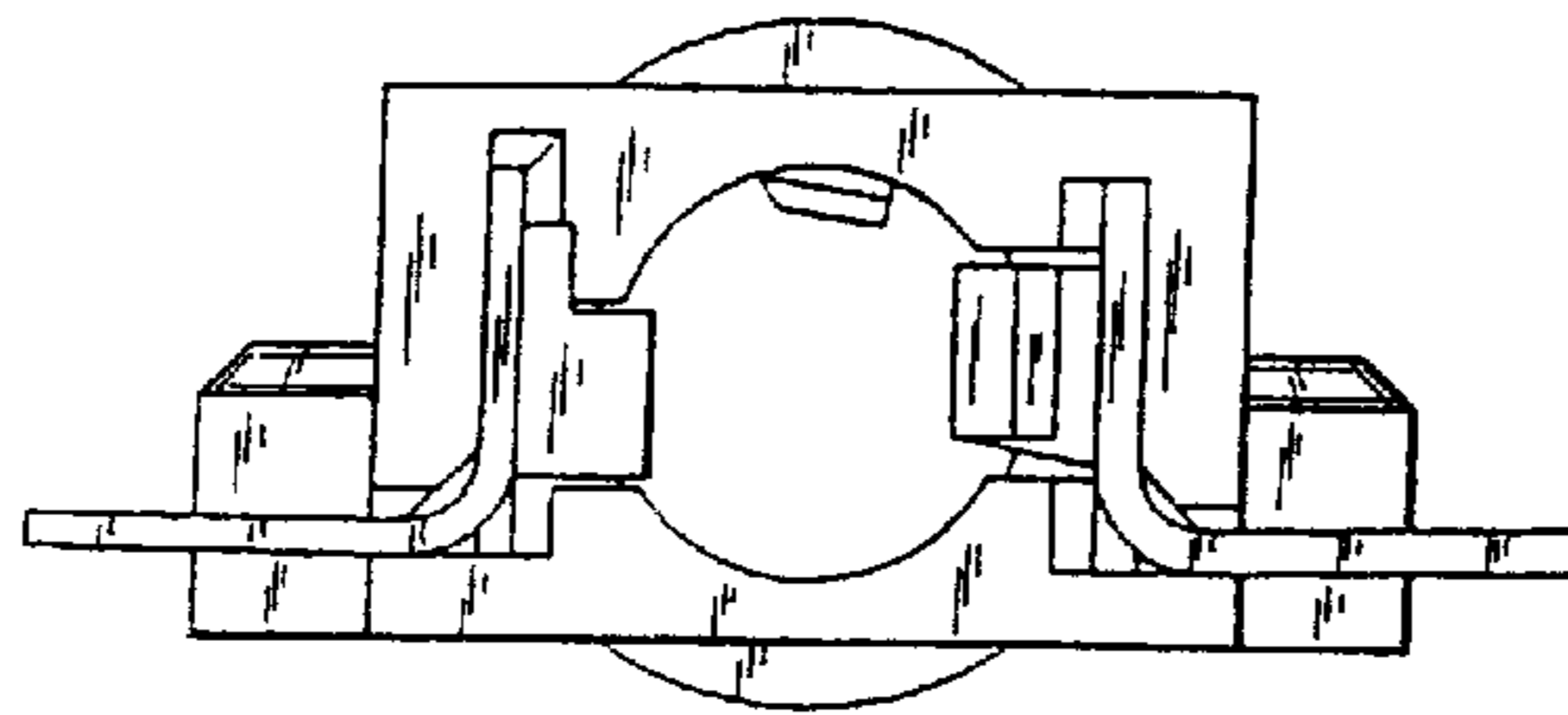


FIG. 2

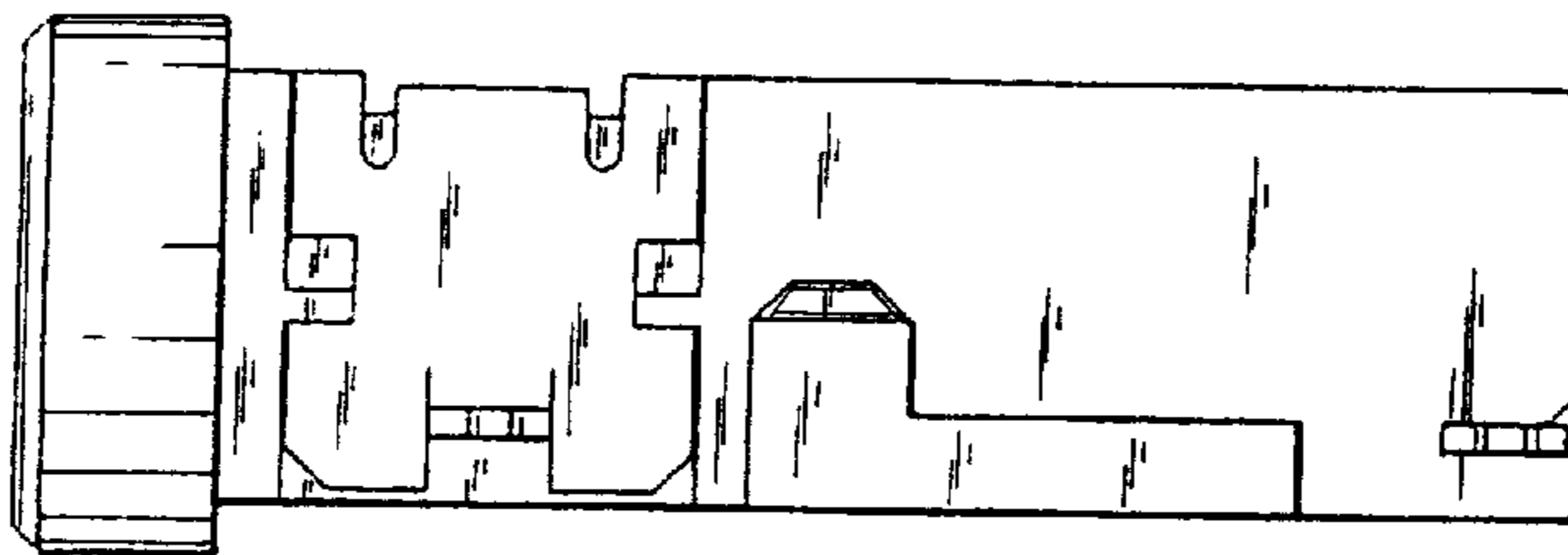


FIG. 3

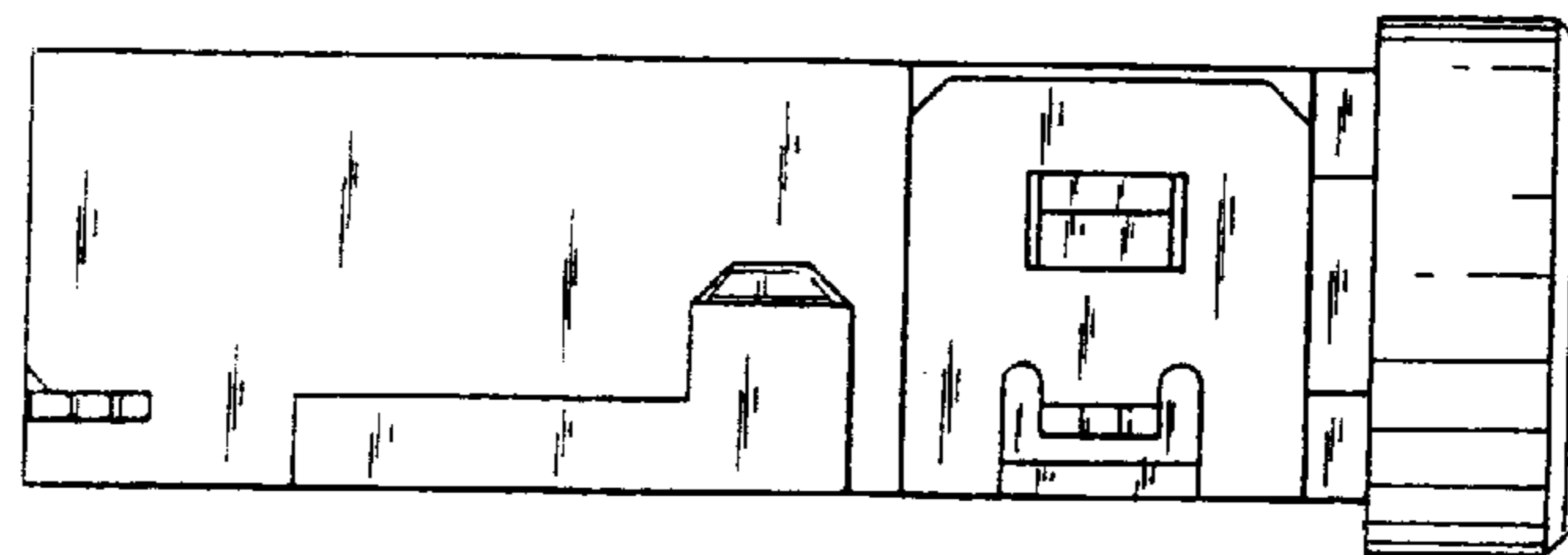


FIG. 4

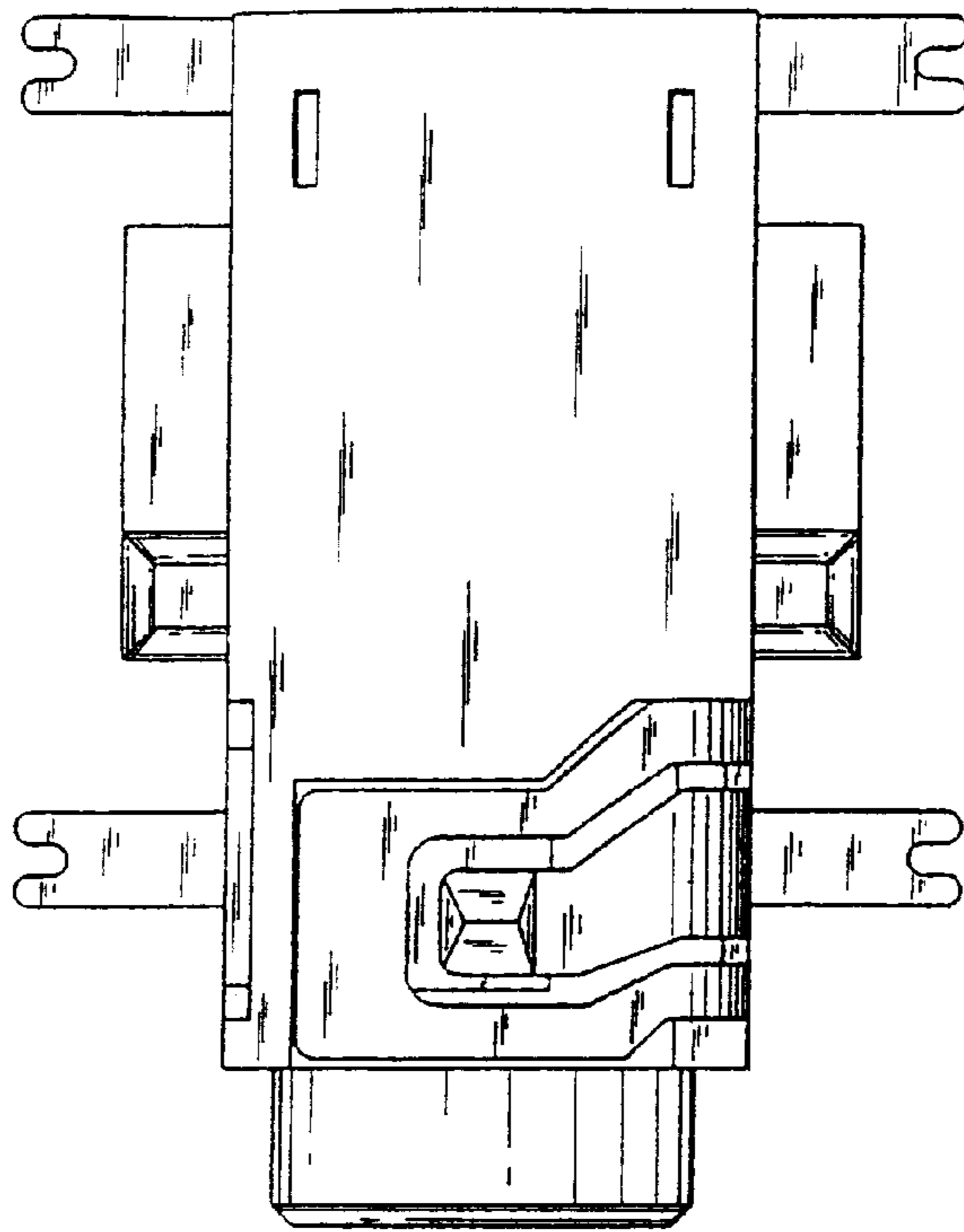


FIG. 5

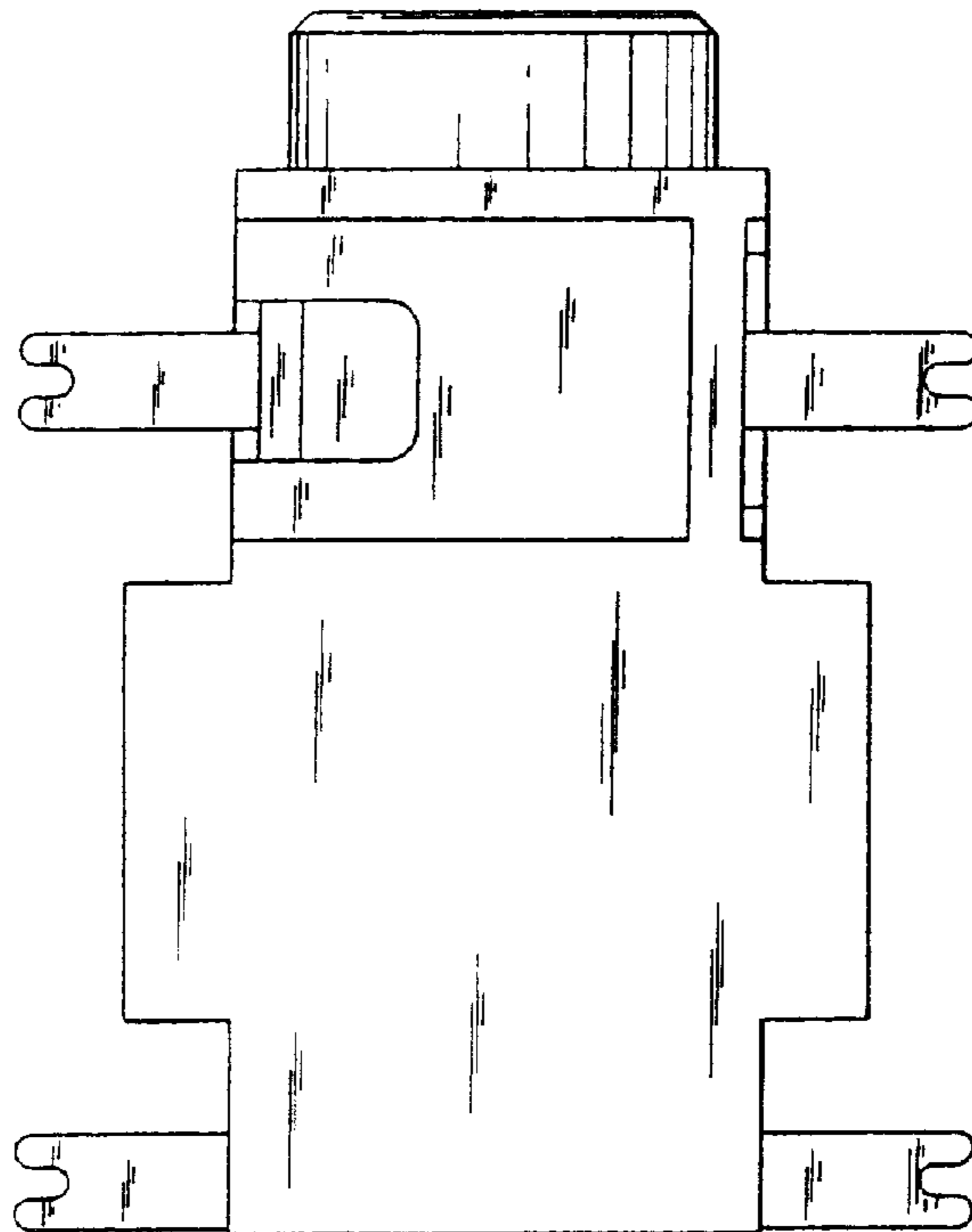


FIG. 6

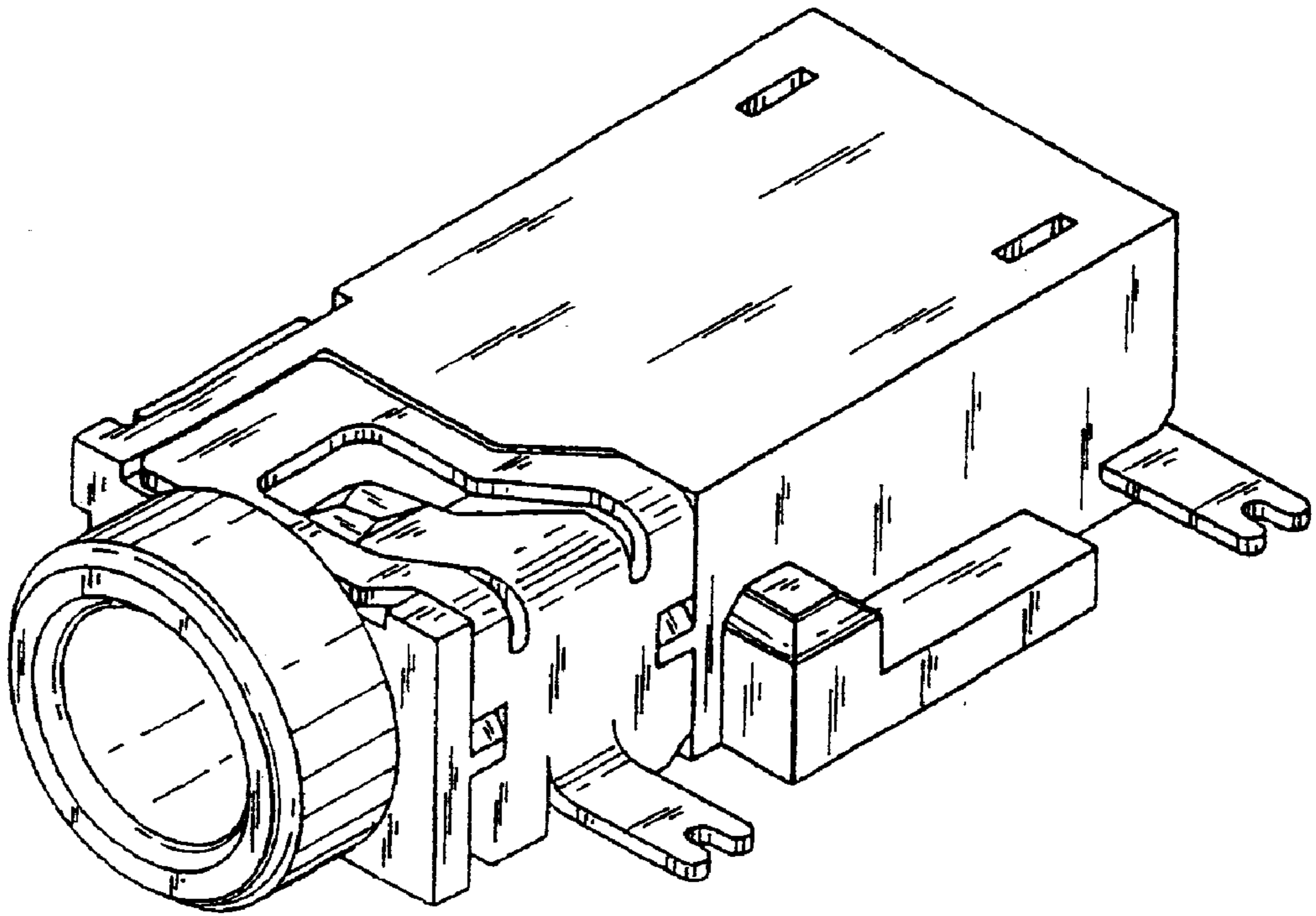


FIG. 7

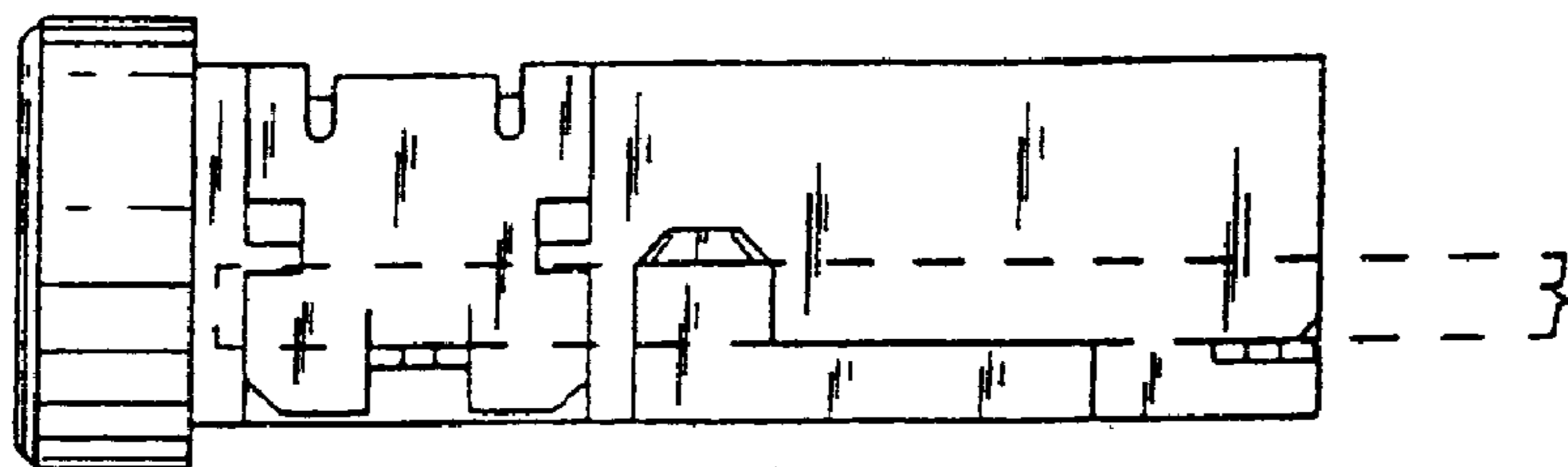


FIG. 8