



US00D460237S

(12) **United States Design Patent**  
**Hart**

(10) **Patent No.:** **US D460,237 S**

(45) **Date of Patent:** **\*\* Jul. 9, 2002**

(54) **MECHANICS' CREEPER**

(75) Inventor: **Don B. Hart**, Dana Point, CA (US)

(73) Assignee: **Alltrade Inc.**, Long Beach, CA (US)

(\*\*) Term: **14 Years**

(21) Appl. No.: **29/147,593**

(22) Filed: **Aug. 31, 2001**

(51) **LOC (7) Cl.** ..... **12-02**

(52) **U.S. Cl.** ..... **D34/23**

(58) **Field of Search** ..... D34/12, 23; 280/32.6,  
280/32.5, 79.11

(56) **References Cited**

**U.S. PATENT DOCUMENTS**

D384,466 S	*	9/1997	Taylor	.....	D34/23
D398,433 S	*	9/1998	Whiteside et al.	.....	D34/23
D401,029 S	*	11/1998	Taylor	.....	D34/23
D403,822 S	*	1/1999	Whiteside et al.	.....	D34/23
D406,433 S	*	3/1999	Taylor et al.	.....	D34/23
D406,683 S	*	3/1999	Taylor et al.	.....	D34/23

\* cited by examiner

*Primary Examiner*—Kay H. Chin

(74) *Attorney, Agent, or Firm*—Robert R. Thornton

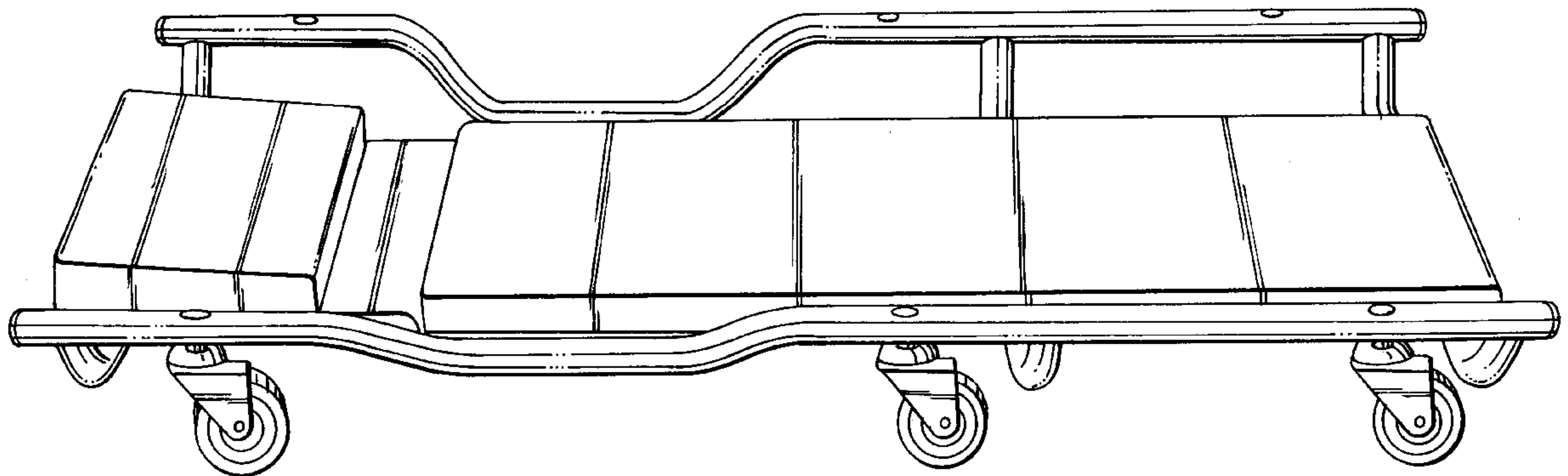
(57) **CLAIM**

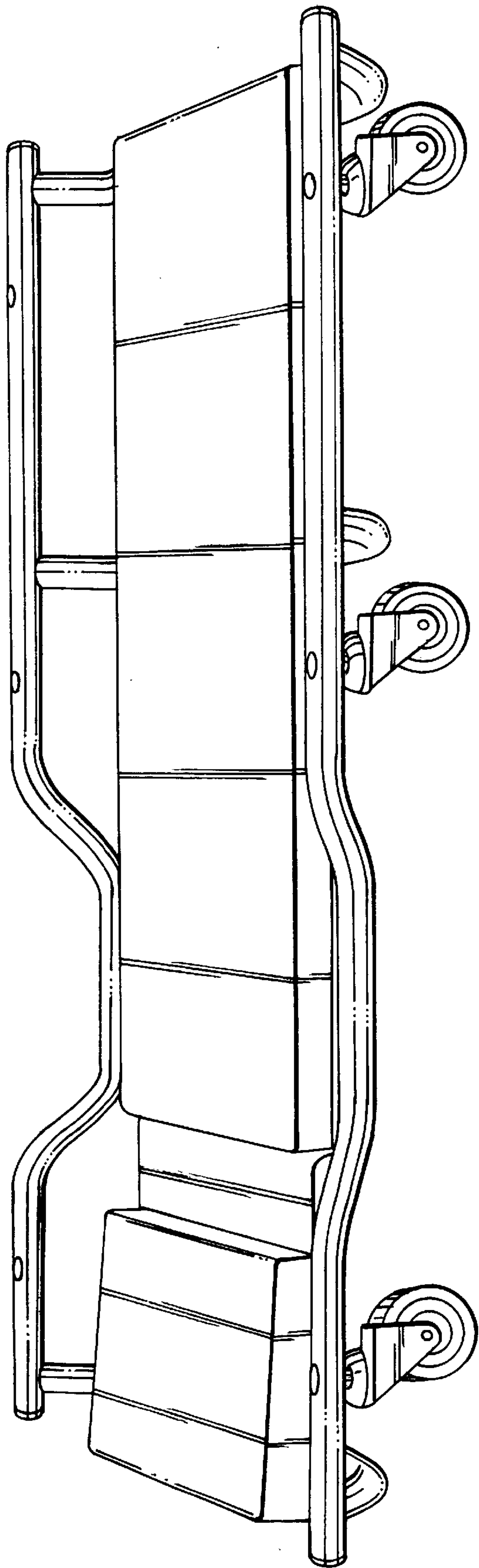
The ornamental design for a mechanics' creeper, as shown and described.

**DESCRIPTION**

FIG. 1 is a perspective view of a mechanics' creeper showing my new design in its lowered disposition;  
 FIG. 2 is a perspective view of a mechanics' creeper showing my new design in its raised disposition;  
 FIG. 3 is a top plan view thereof according to FIG. 1;  
 FIG. 4 is a bottom plan view thereof according to FIG. 1;  
 FIG. 5 is a right side elevational view thereof according to FIG. 1;  
 FIG. 6 is a left side elevational view thereof according to FIG. 1;  
 FIG. 7 is a front elevational view thereof according to FIG. 1; and,  
 FIG. 8 is a rear elevational view thereof according to FIG. 1.

**1 Claim, 6 Drawing Sheets**





*Fig. 1*

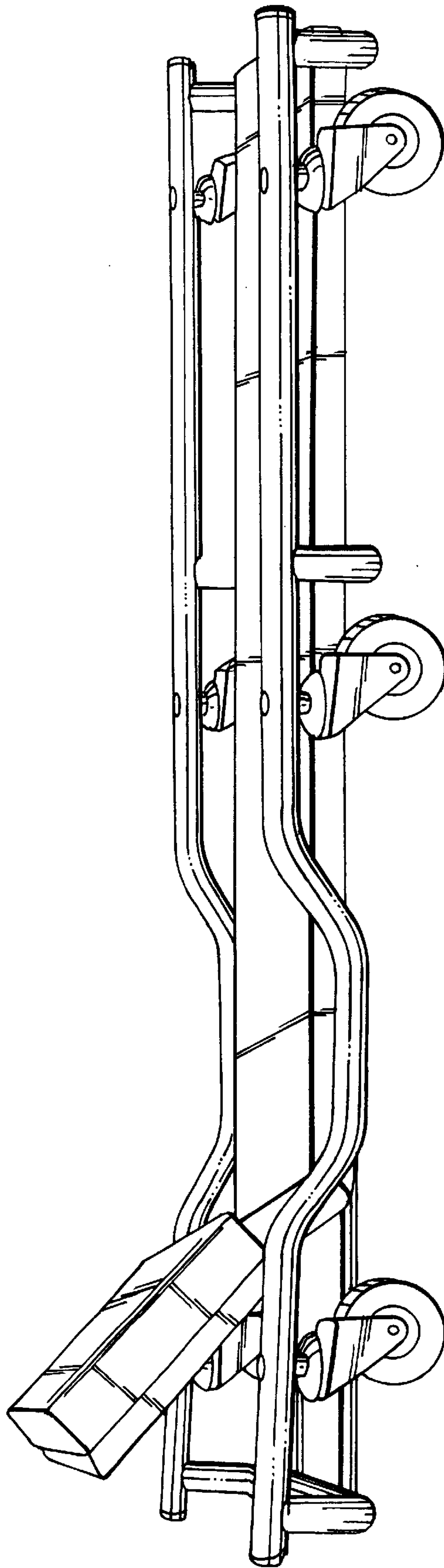


Fig. 2

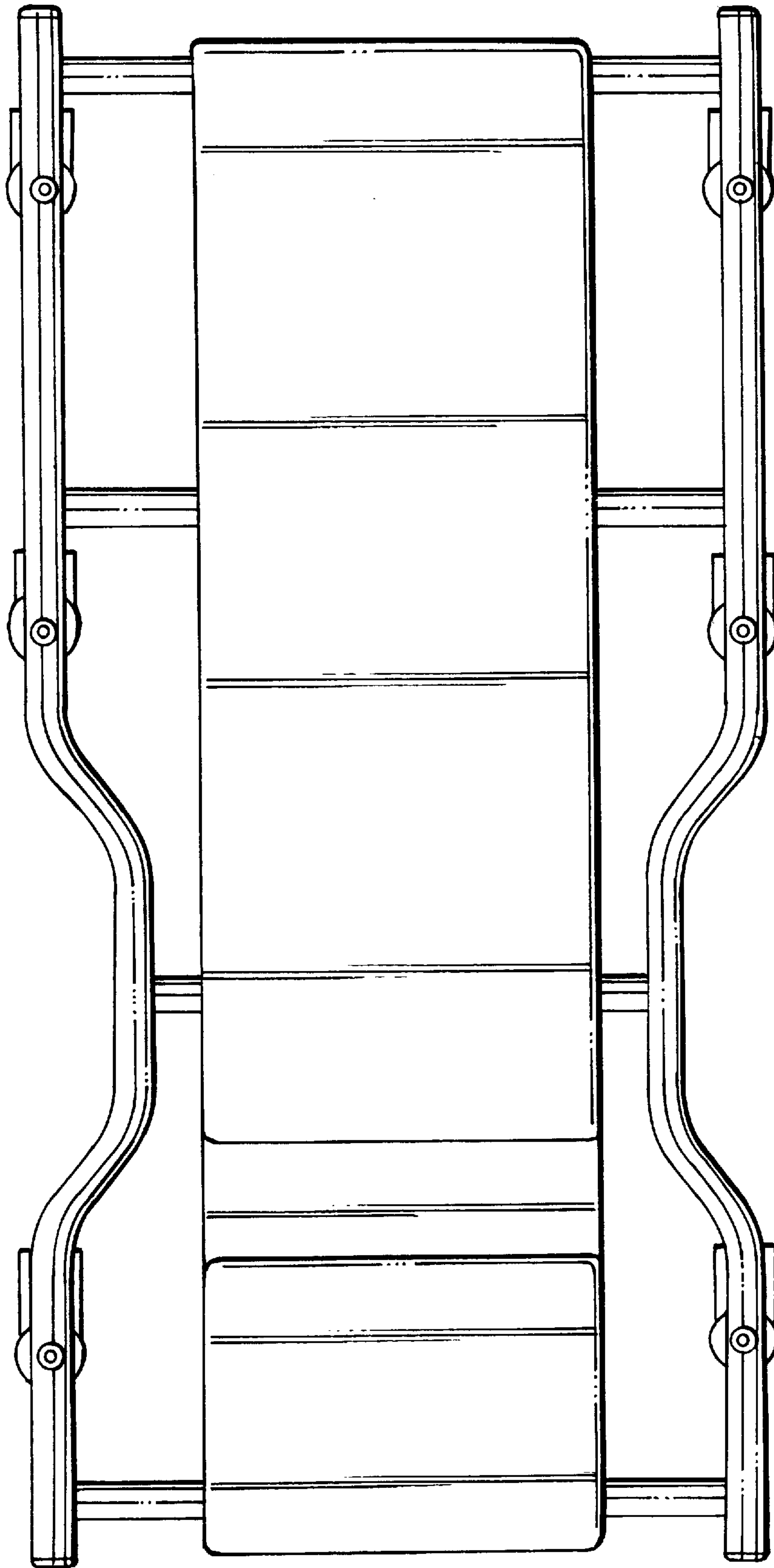
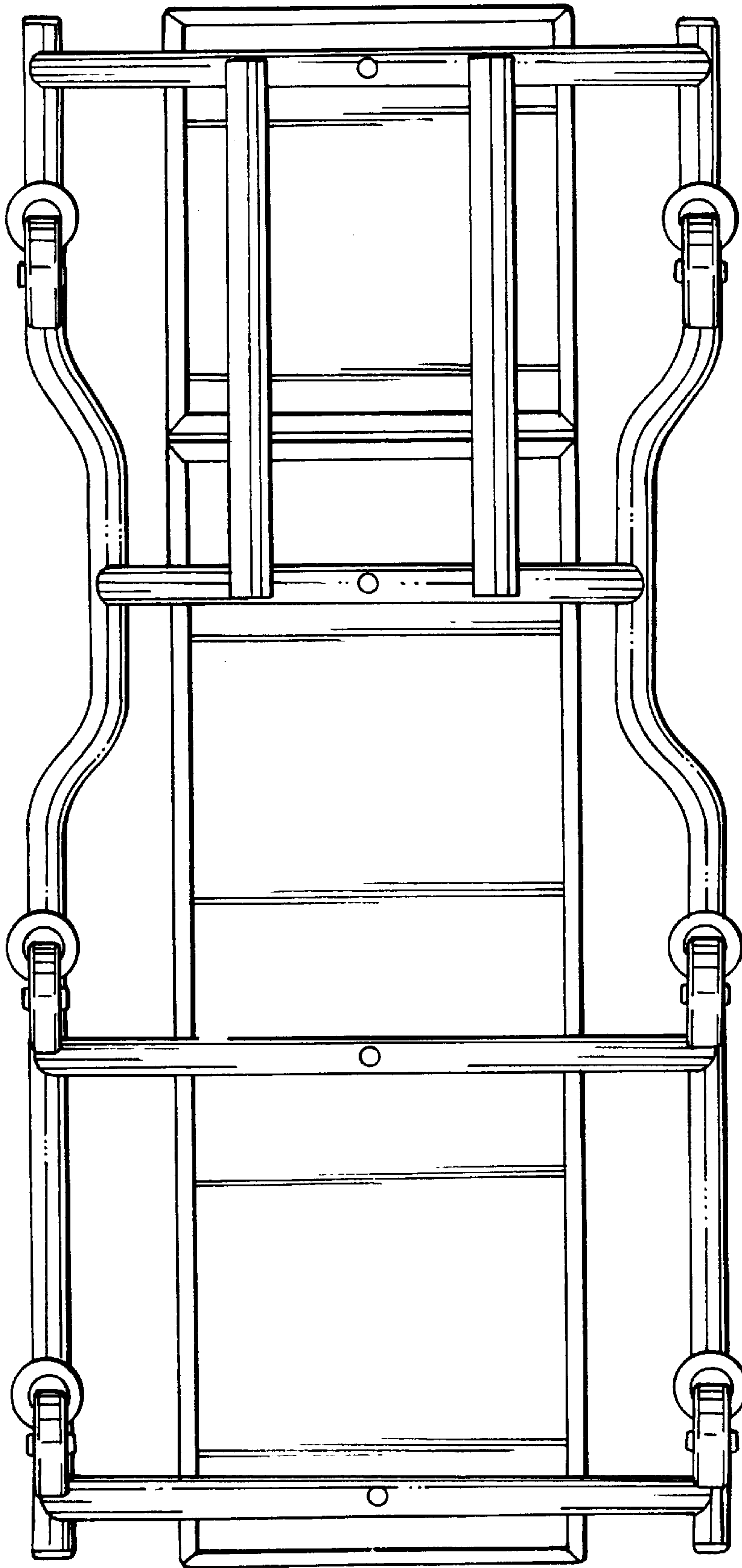


Fig. 3



*Fig. 4*

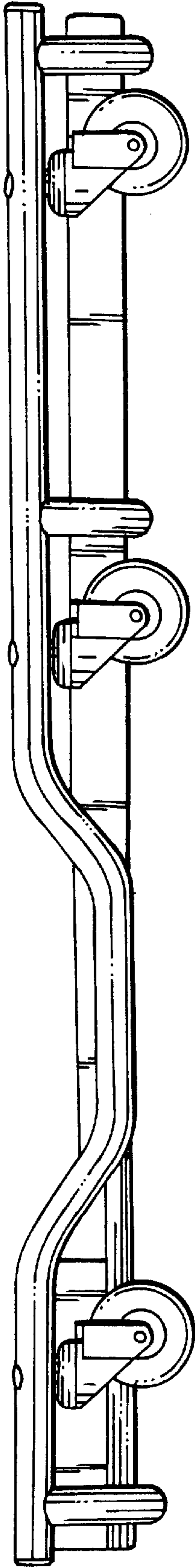


Fig. 5

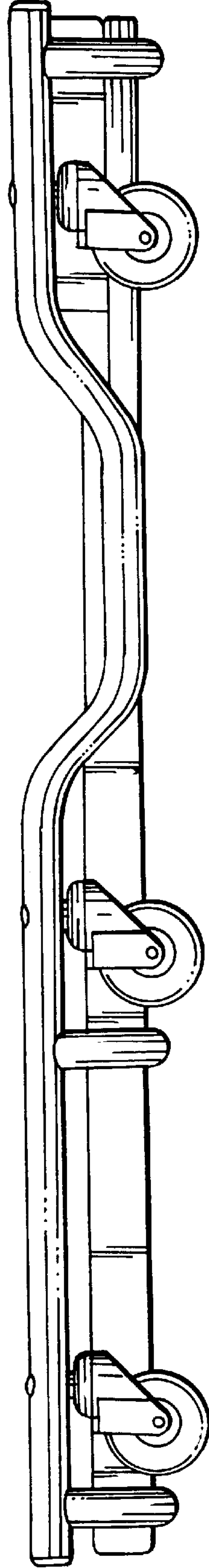
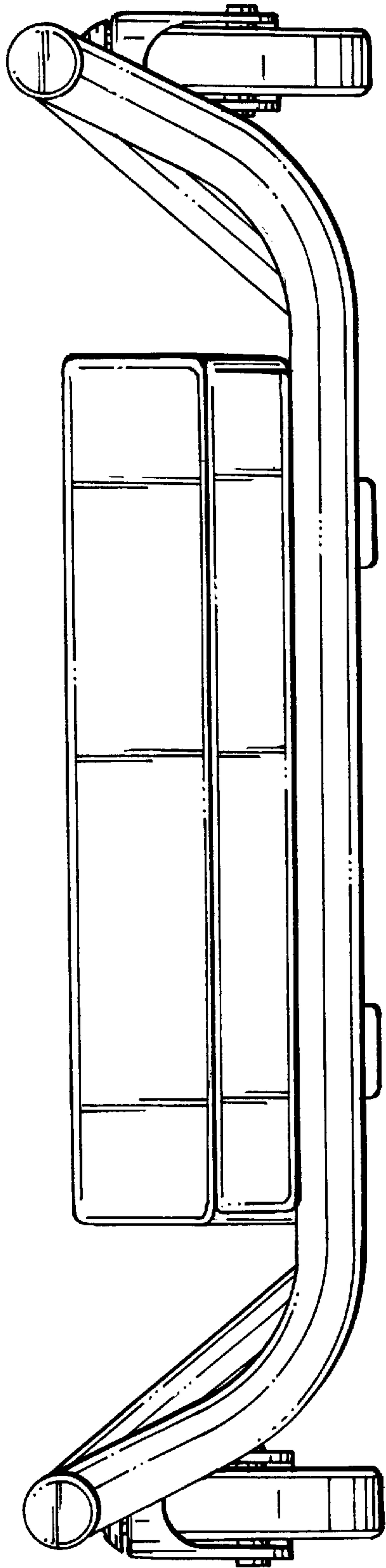
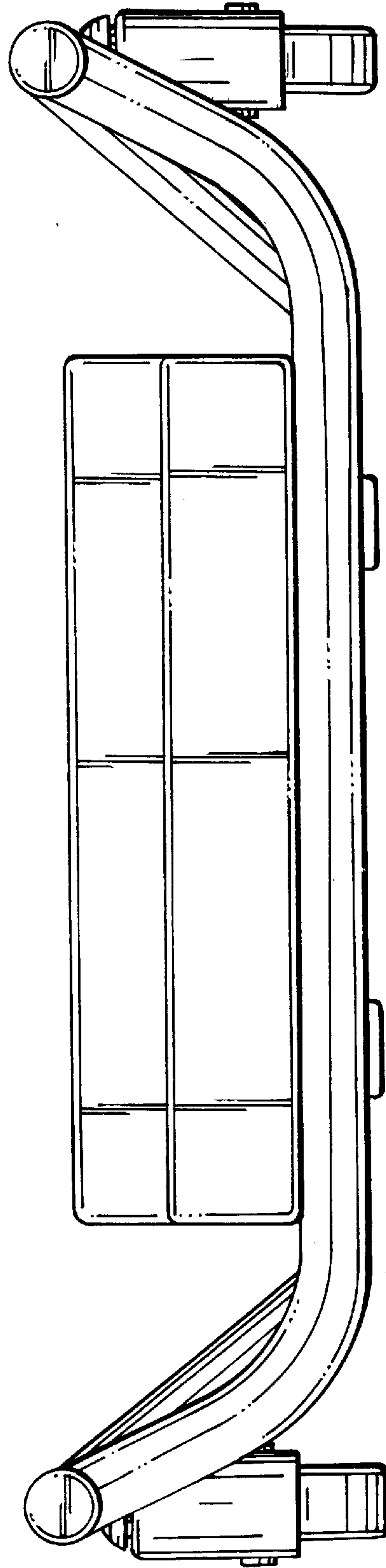


Fig. 6





*Fig. 7*



*Fig. 8*