



US00D460234S

(12) **United States Design Patent**
King

(10) **Patent No.:** **US D460,234 S**

(45) **Date of Patent:** **** Jul. 9, 2002**

(54) **BAG HOLDER**

5,850,994 A * 12/1998 Wilson 248/97
6,052,860 A * 4/2000 Coxsey 248/99

(76) Inventor: **Nancy W. King**, 4171 Farmview Dr.,
Nashville, TN (US) 38218

* cited by examiner

(**) Term: **14 Years**

Primary Examiner—Louis S. Zarfes
Assistant Examiner—Robert A. Delehanty
(74) *Attorney, Agent, or Firm*—Garvey, Smith, Nehrbass &
Doody, L.L.C.

(21) Appl. No.: **29/112,194**

(22) Filed: **Oct. 12, 1999**

(57) **CLAIM**

(51) **LOC (7) Cl.** **09-09**

The ornamental design for a bag holder, as shown.

(52) **U.S. Cl.** **D34/6**

DESCRIPTION

(58) **Field of Search** 248/95–101; D34/5–6,
D34/10–11; 232/43.2, 43.5, 1 R; 220/908,
908.1, 908.2, 908.3, 909

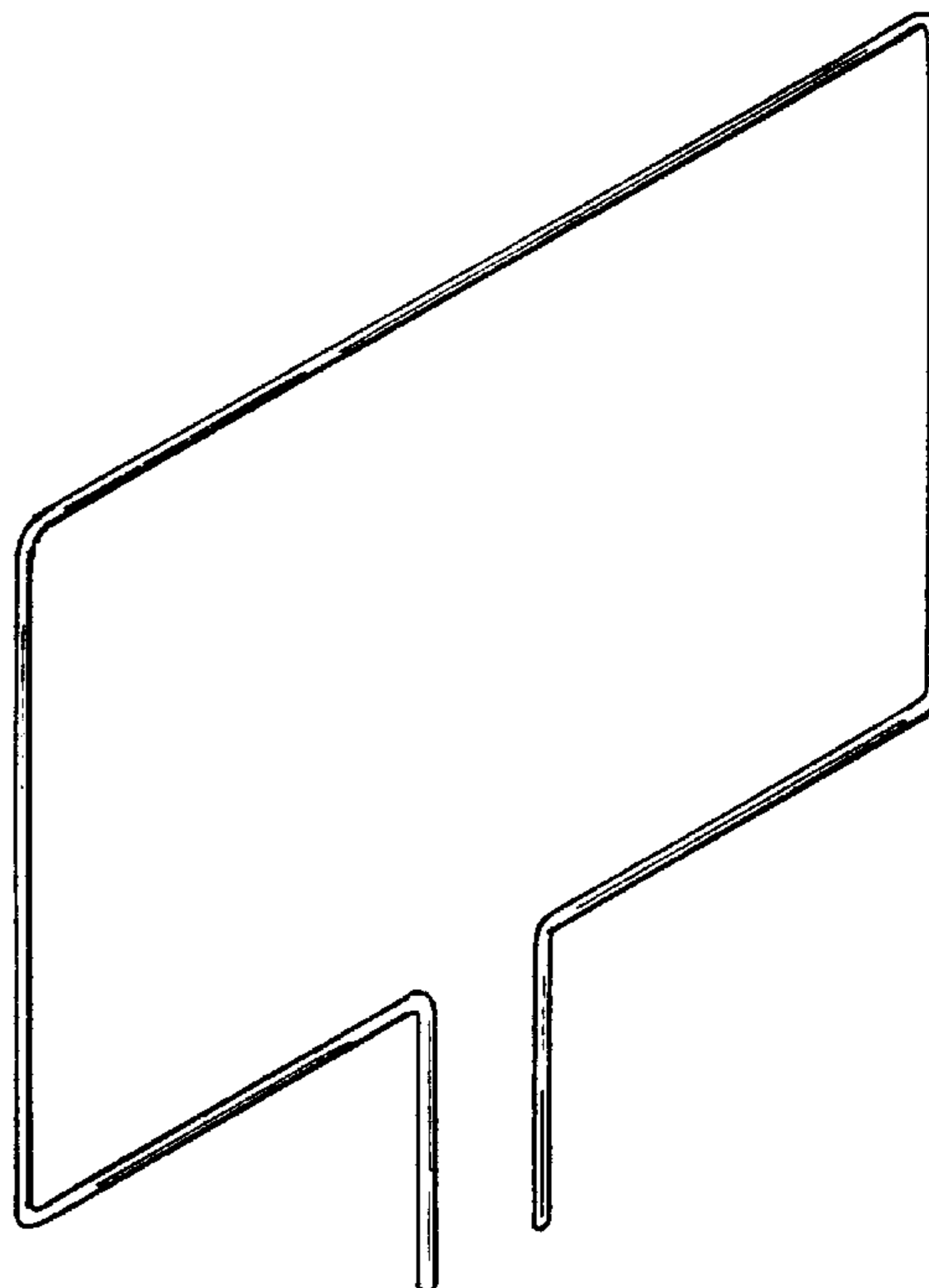
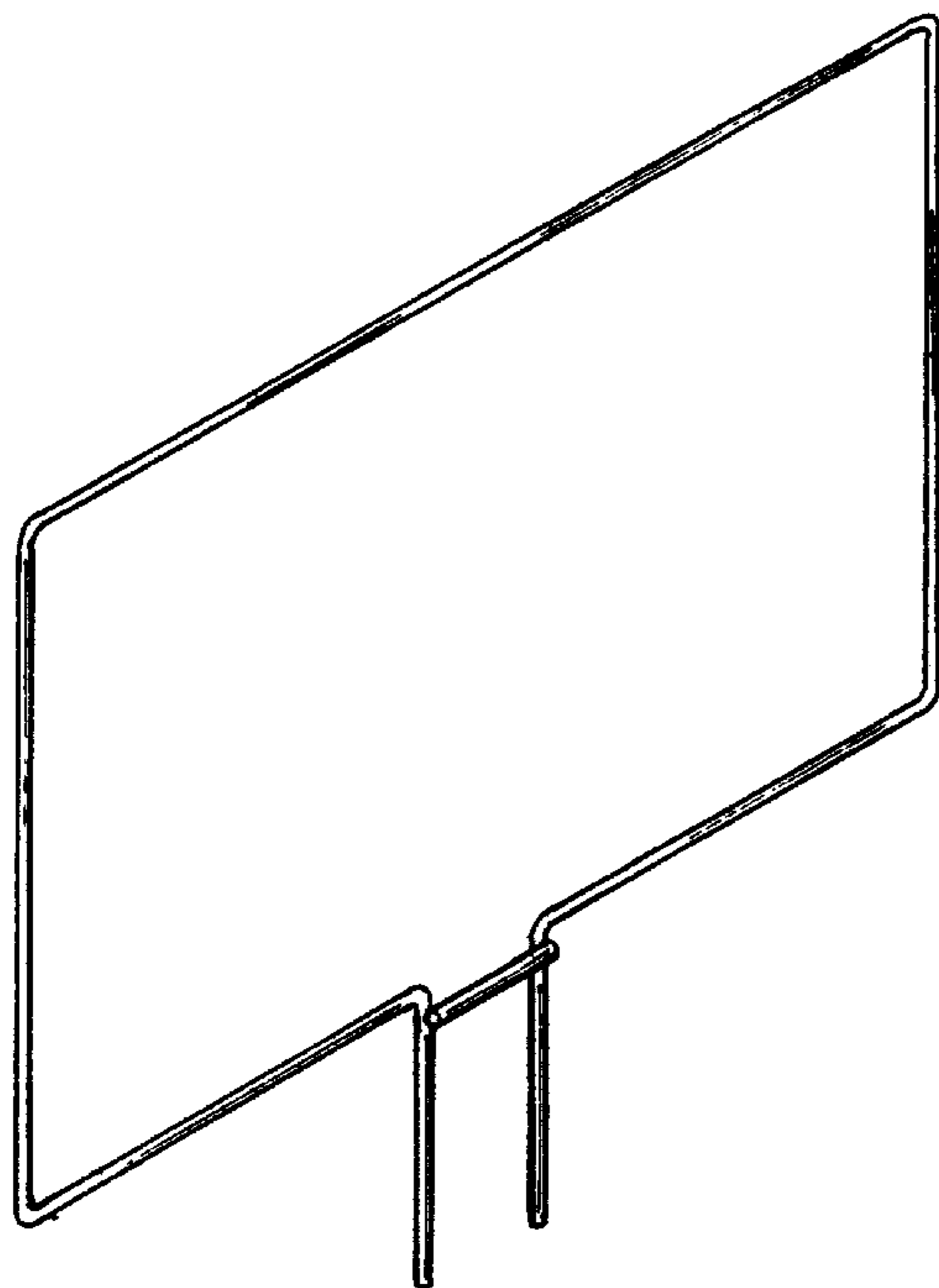
FIG. 1 is a front elevation of the design of a bag holder;
FIG. 2 is a bottom view of the bag holder illustrated in FIG.
1;
FIG. 3 is a top view of the bag holder illustrated in FIG. 1;
FIG. 4 is a right side view of the bag holder illustrated in
FIG. 1, the undisclosed left side view being a mirror image
thereof;
FIG. 5 is a perspective view of the bag holder illustrated in
FIG. 1; and,
FIG. 6 is a perspective view of an alternative view of an
alternative embodiment of the bag holder illustrated in FIG.
5.

(56) **References Cited**

U.S. PATENT DOCUMENTS

1,235,388 A *	7/1917	Sherwood	248/101
1,717,717 A *	6/1929	Marsh	248/101
2,471,309 A *	5/1949	Chandler	248/99
3,603,542 A *	9/1971	Grille	248/98
3,638,888 A *	2/1972	Ross	248/97
D280,457 S *	9/1985	Gatward	D34/6
4,768,742 A *	9/1988	Kaaloa	248/99
5,222,536 A *	6/1993	Hodgdon et al.	D34/10
5,350,142 A *	9/1994	Kurtzman et al.	248/99

1 Claim, 2 Drawing Sheets



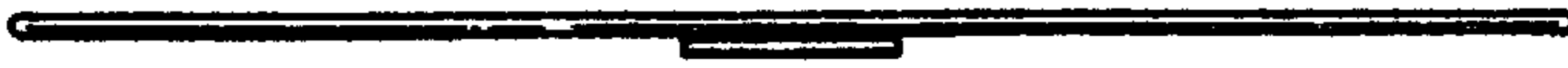


FIG. 3

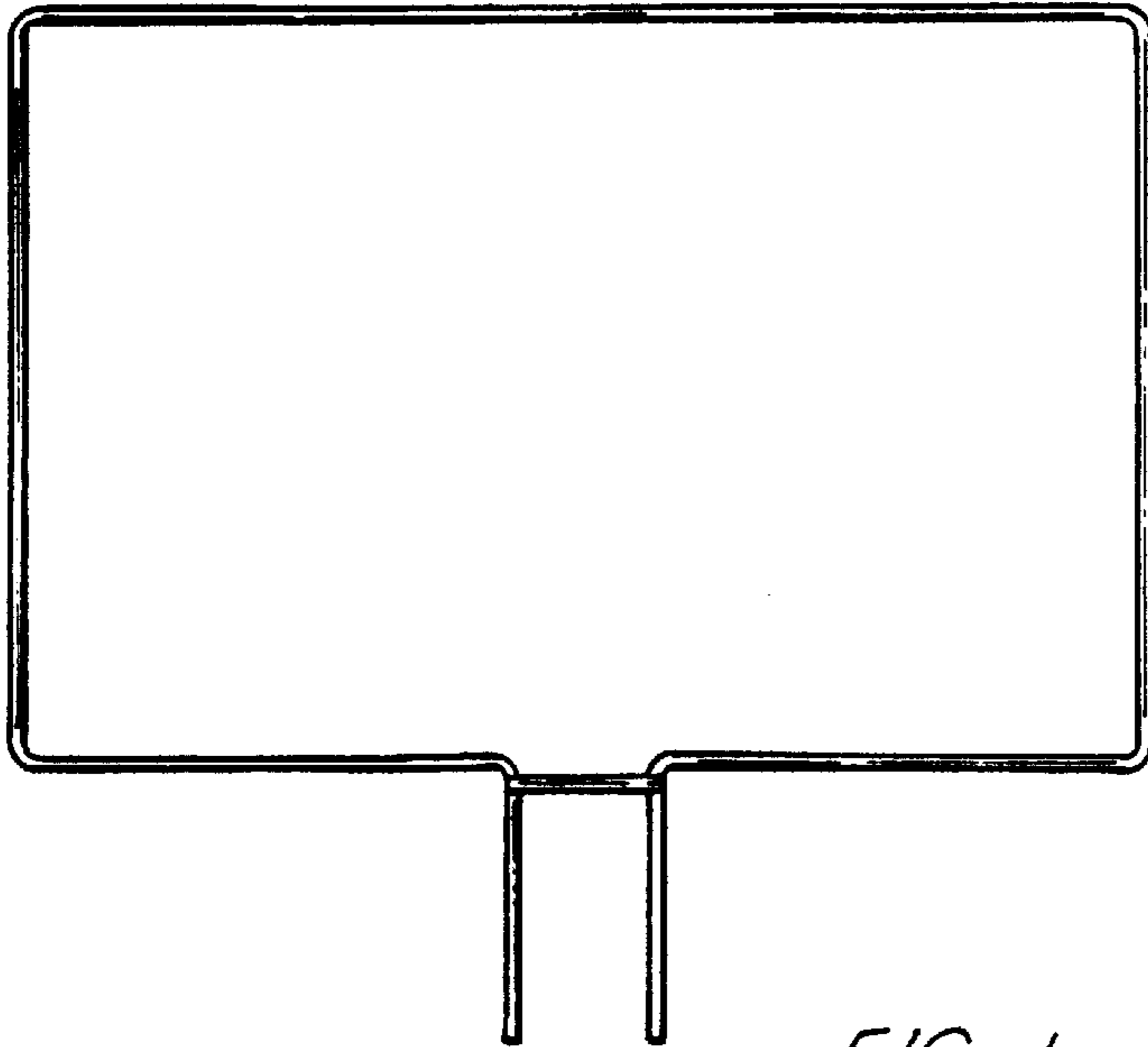


FIG. 1

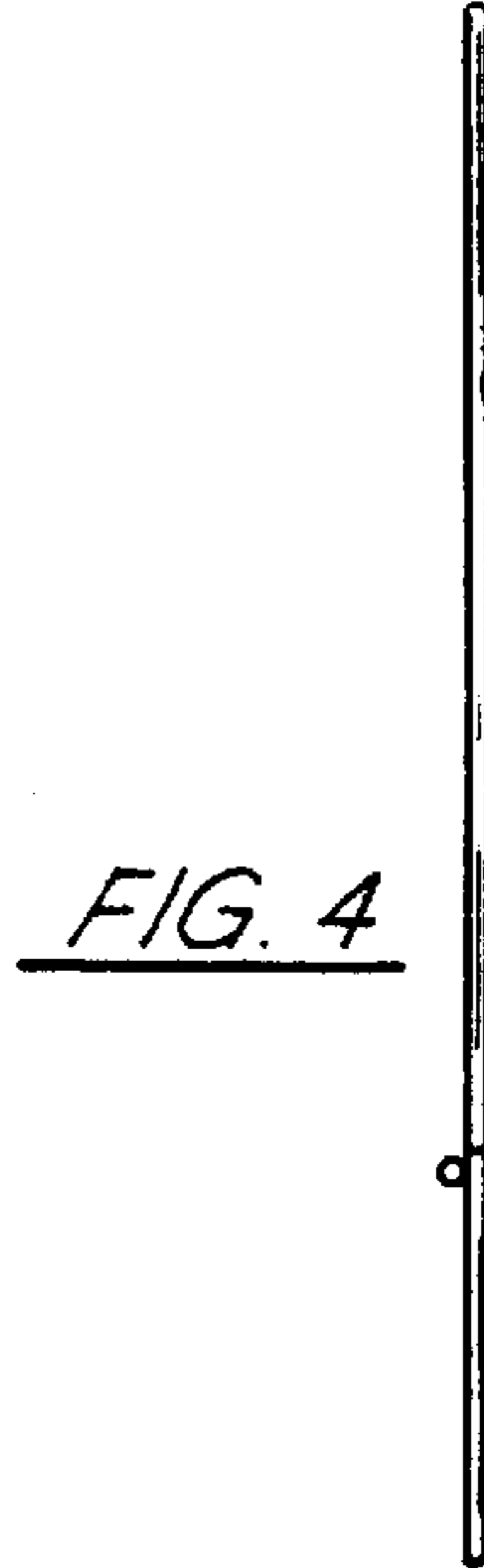
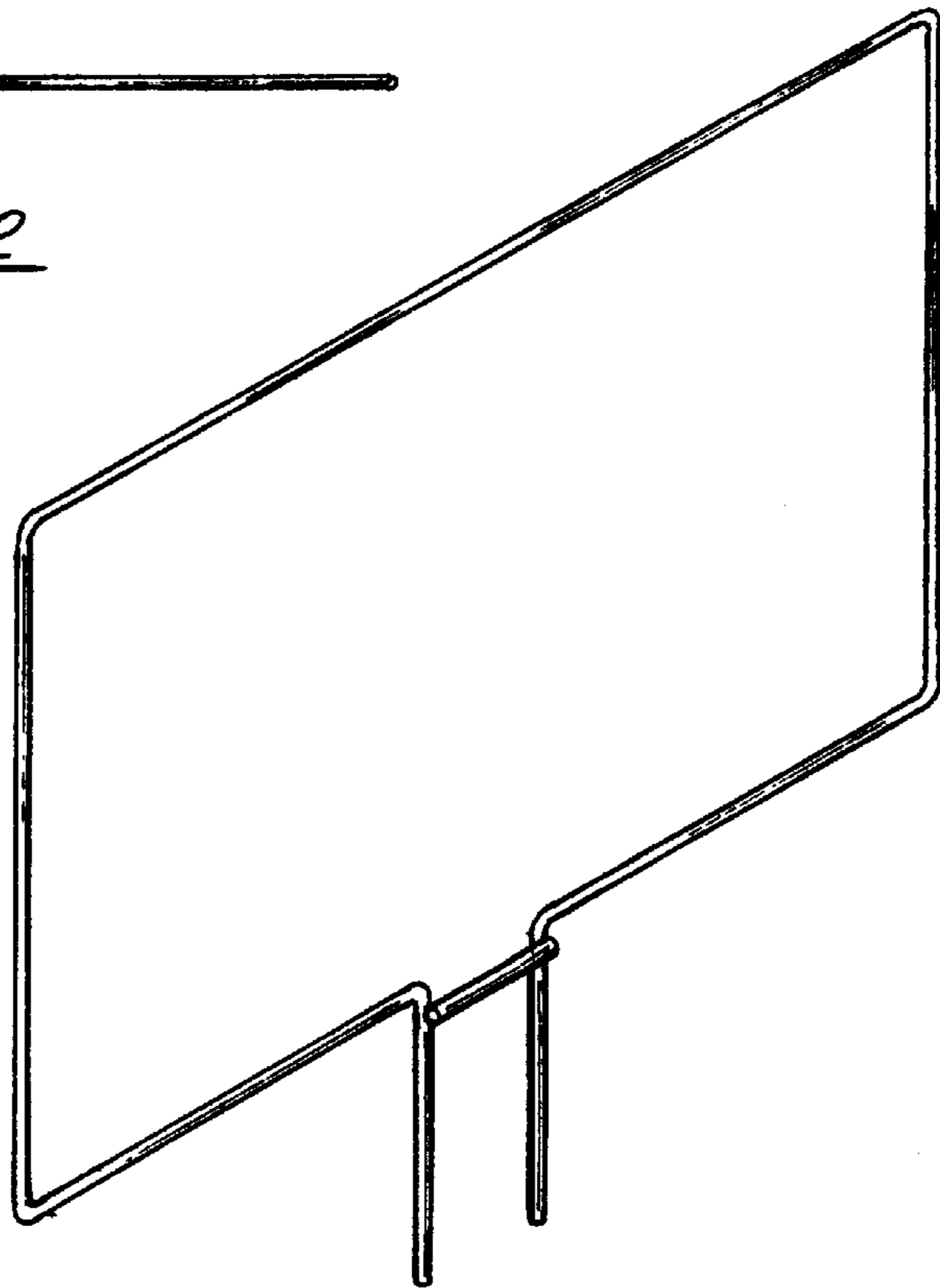


FIG. 4



FIG. 2

FIG. 5



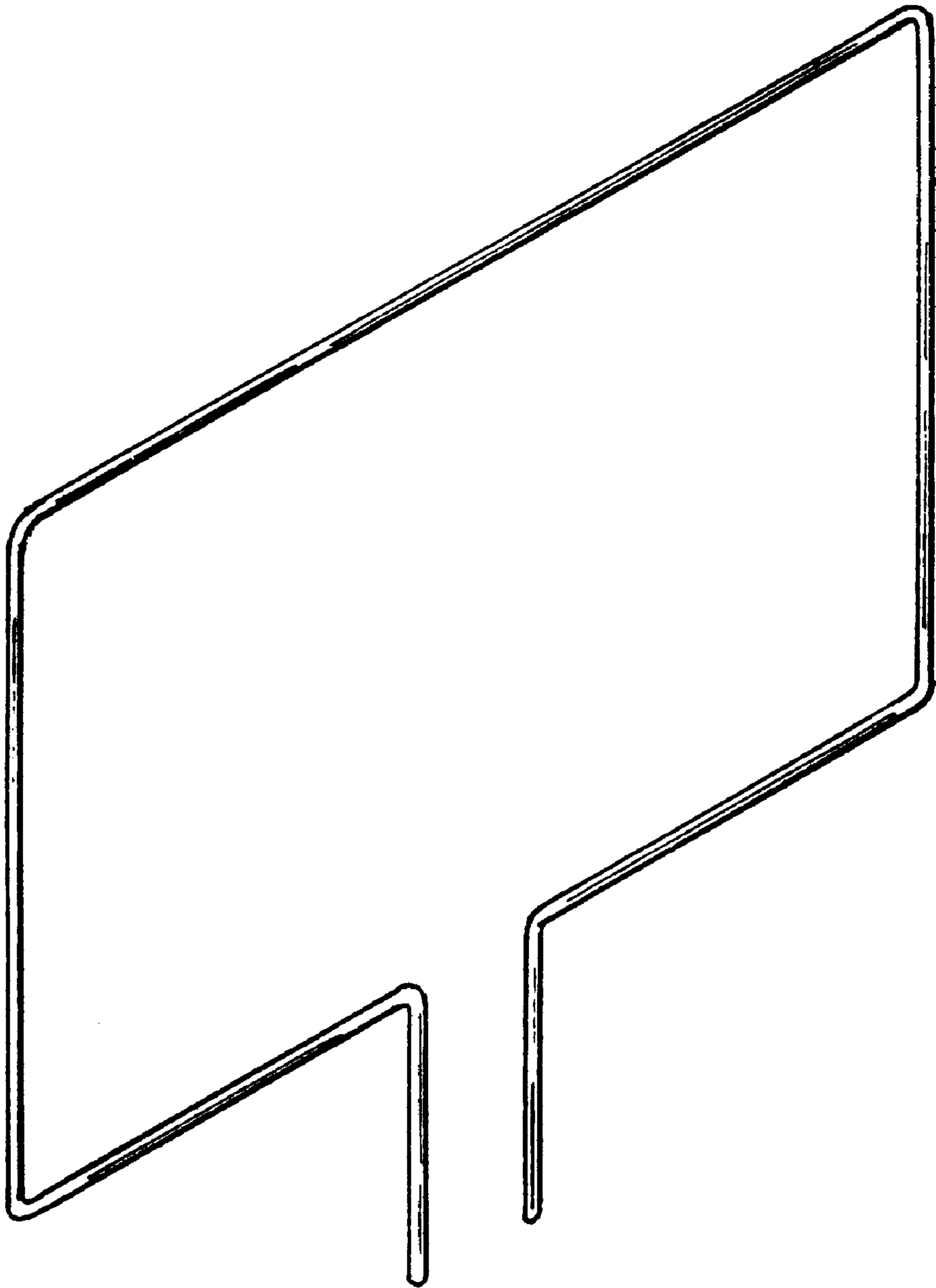


FIG. 6