



US00D460233S

(12) **United States Design Patent**
Strubin

(10) **Patent No.:** **US D460,233 S**

(45) **Date of Patent:** **** Jul. 9, 2002**

(54) **COMBINED DOG WASTE BAG DISPENSER AND WASTE RECEPTACLE**

D451,255 S * 11/2001 Schmidt D34/1

* cited by examiner

(76) Inventor: **Henry Strubin**, 309 Carlisle Road,
Carlisle, Ontario (CA), L0R 1H2

Primary Examiner—Cynthia E. Ramirez
(74) *Attorney, Agent, or Firm*—Patrick J. Hofbauer

(**) Term: **14 Years**

(57) **CLAIM**

(21) Appl. No.: **29/140,605**

The ornamental design for a combined dog waste bag dispenser and waste receptacle, as shown and described.

(22) Filed: **Apr. 23, 2001**

DESCRIPTION

(30) **Foreign Application Priority Data**

Oct. 31, 2000 (CA) 2000-2892

(51) **LOC (7) Cl.** **09-09**

(52) **U.S. Cl.** **D34/1**

(58) **Field of Search** D34/1, 5, 6, 7,
D34/8, 10, 11, 9; D30/161; 220/476, 480,
481, 908

FIG. 1 is a top front right side perspective view of the combined dog waste bag dispenser and waste receptacle, showing the waste bag dispenser in a closed position and the waste receptacle in a closed position, embodying my design; FIG. 2 is a top front right side perspective view of the combined dog waste bag dispenser and waste receptacle of FIG. 1, showing the waste bag dispenser in an open position and the waste receptacle in a closed position;

(56) **References Cited**

U.S. PATENT DOCUMENTS

D108,642 S	*	3/1938	Geibel	D34/1
D169,032 S	*	3/1953	Croft	D34/1
D178,251 S	*	7/1956	La Pan et al.	D34/1
D203,630 S	*	2/1966	Wright	D34/1
D296,142 S	*	6/1988	Adamson	D34/7
D309,209 S	*	7/1990	Oliemans et al.	D34/9
D310,903 S	*	9/1990	Anderson	D34/9
D318,354 S	*	7/1991	Delmerico	D34/7
D334,638 S	*	4/1993	Blackman	D30/161
D377,553 S	*	1/1997	Cozart	D34/1
D381,782 S	*	7/1997	Bright	D34/1
5,647,502 A	*	7/1997	Marsh	220/481
6,202,874 B1	*	3/2001	Diamond	220/476
D441,493 S	*	5/2001	Weiss et al.	D34/1
D450,899 S	*	11/2001	Caron	D34/1

FIG. 3 is a top front right side perspective view of the combined dog waste bag dispenser and waste receptacle of FIG. 1, showing the waste bag dispenser in an open position and the waste receptacle in an open position;

FIG. 4 is a top plan view of the combined dog waste bag dispenser and waste receptacle of FIG. 1;

FIG. 5 is a left side elevational view of the combined dog waste bag dispenser and waste receptacle of FIG. 1;

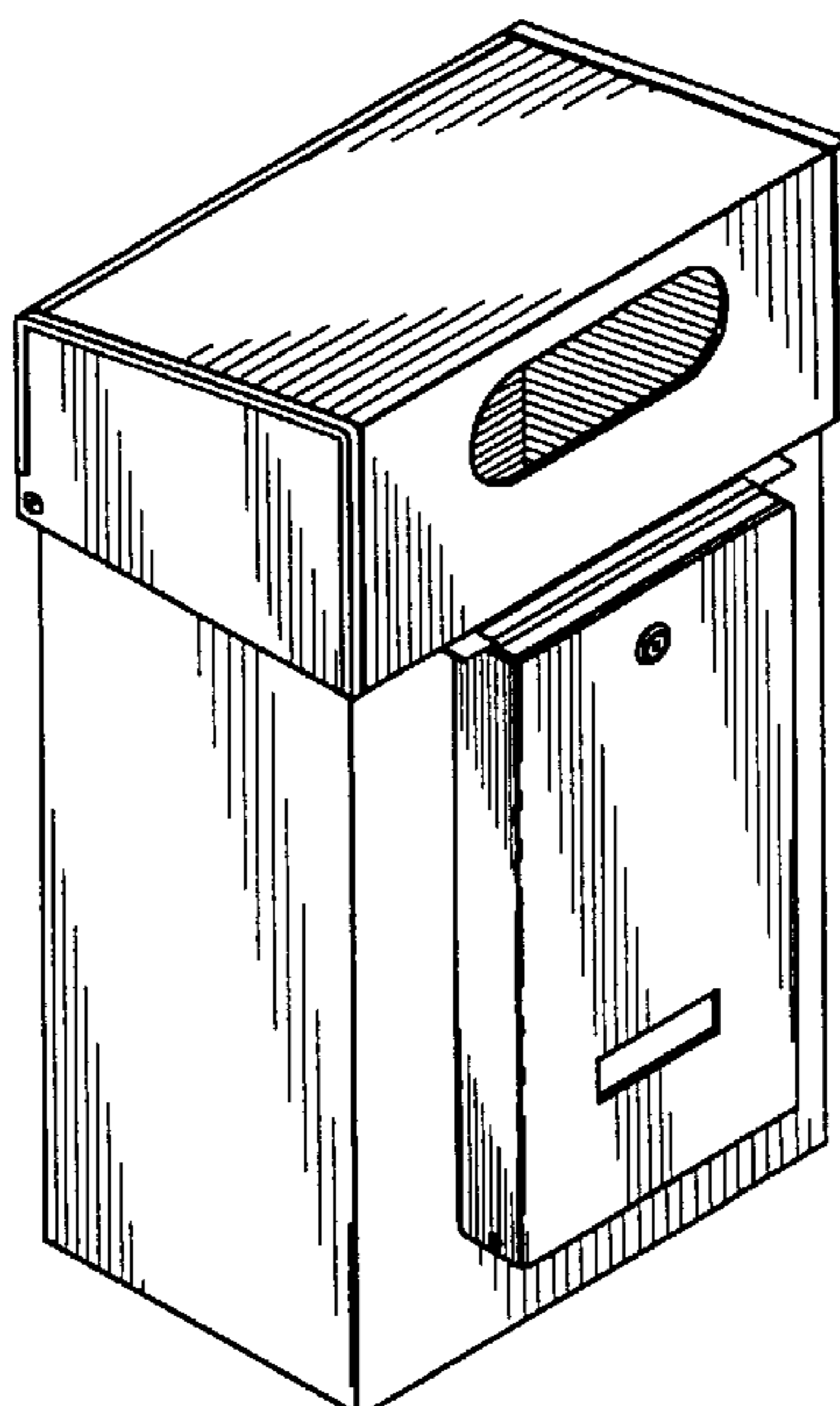
FIG. 6 is a right side elevational view of the combined dog waste bag dispenser and waste receptacle of FIG. 1;

FIG. 7 is a front elevational view of the combined dog waste bag dispenser and waste receptacle of FIG. 1;

FIG. 8 is a back elevational view of the combined dog waste bag dispenser and waste receptacle of FIG. 1; and,

FIG. 9 is a bottom elevational view of the combined dog waste bag dispenser and waste receptacle of FIG. 1.

1 Claim, 3 Drawing Sheets



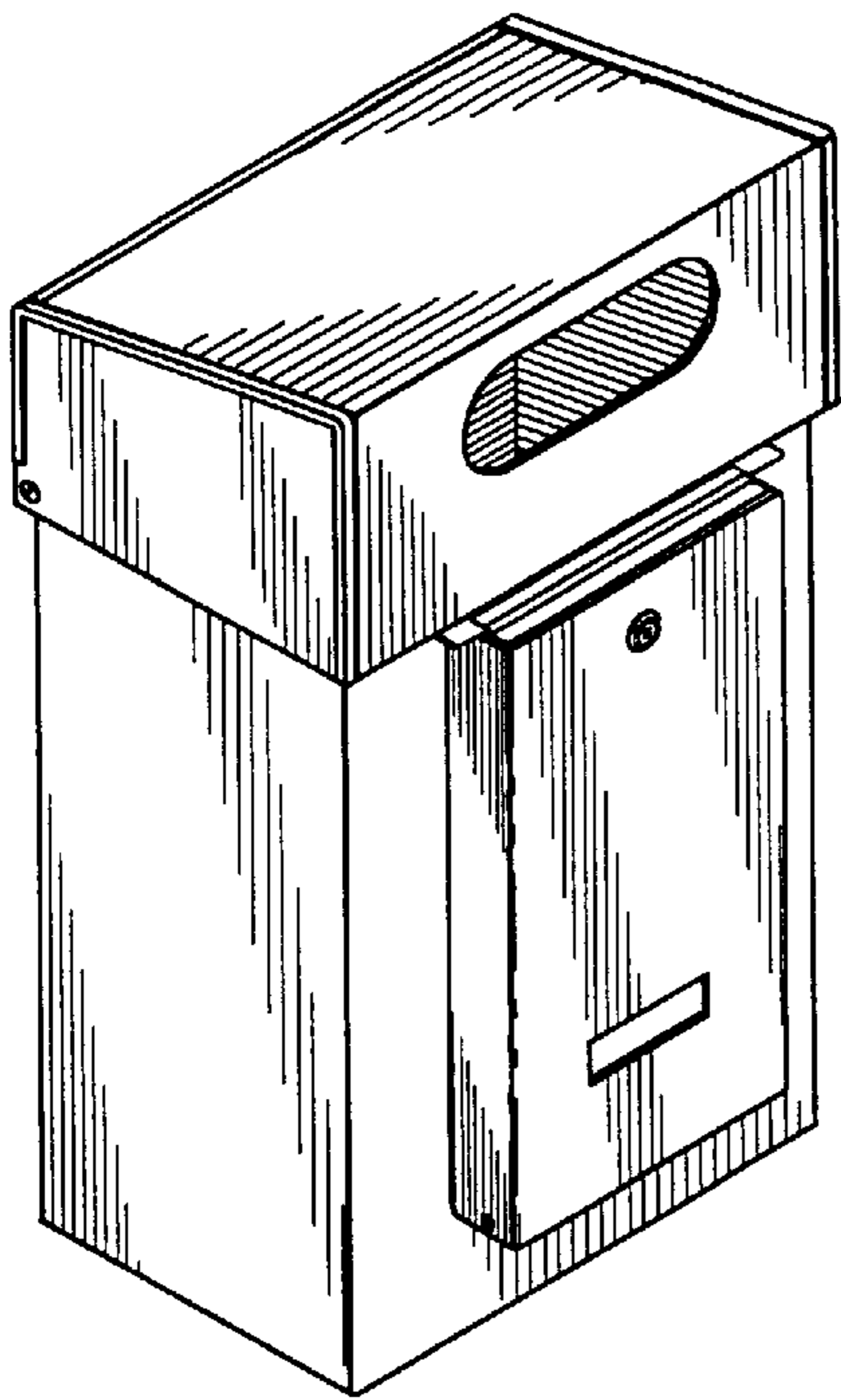


FIG. 1

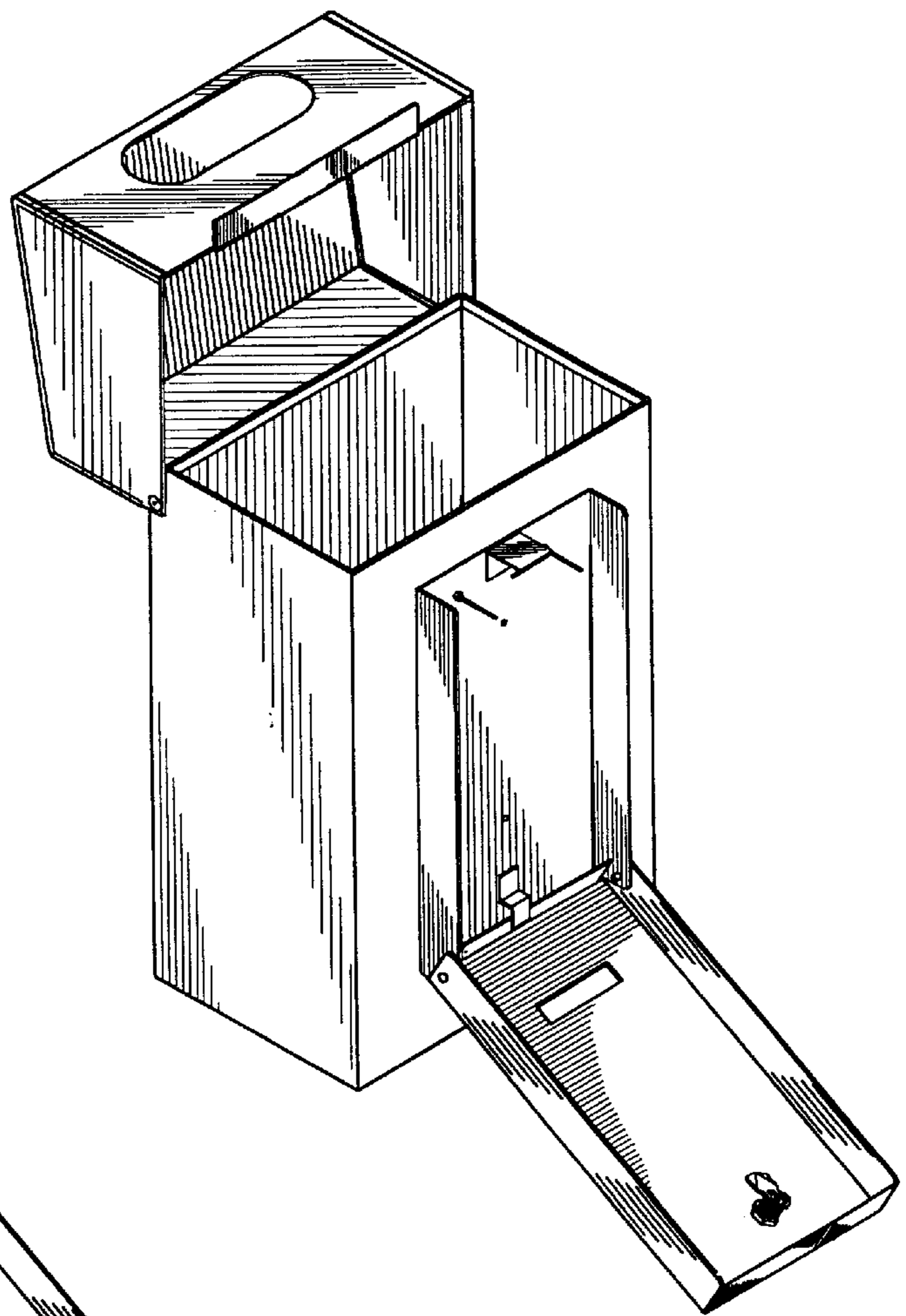


FIG. 3

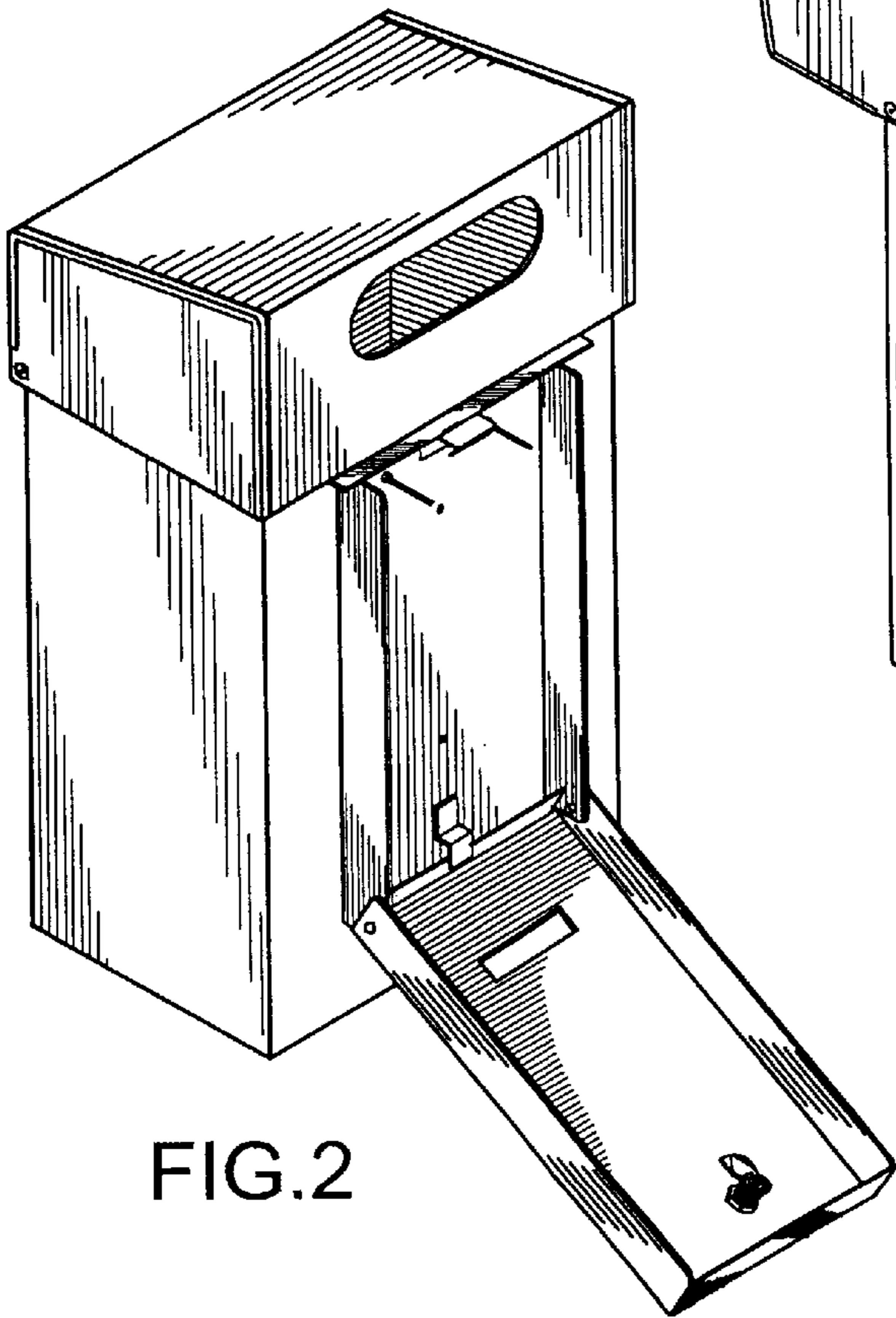


FIG. 2

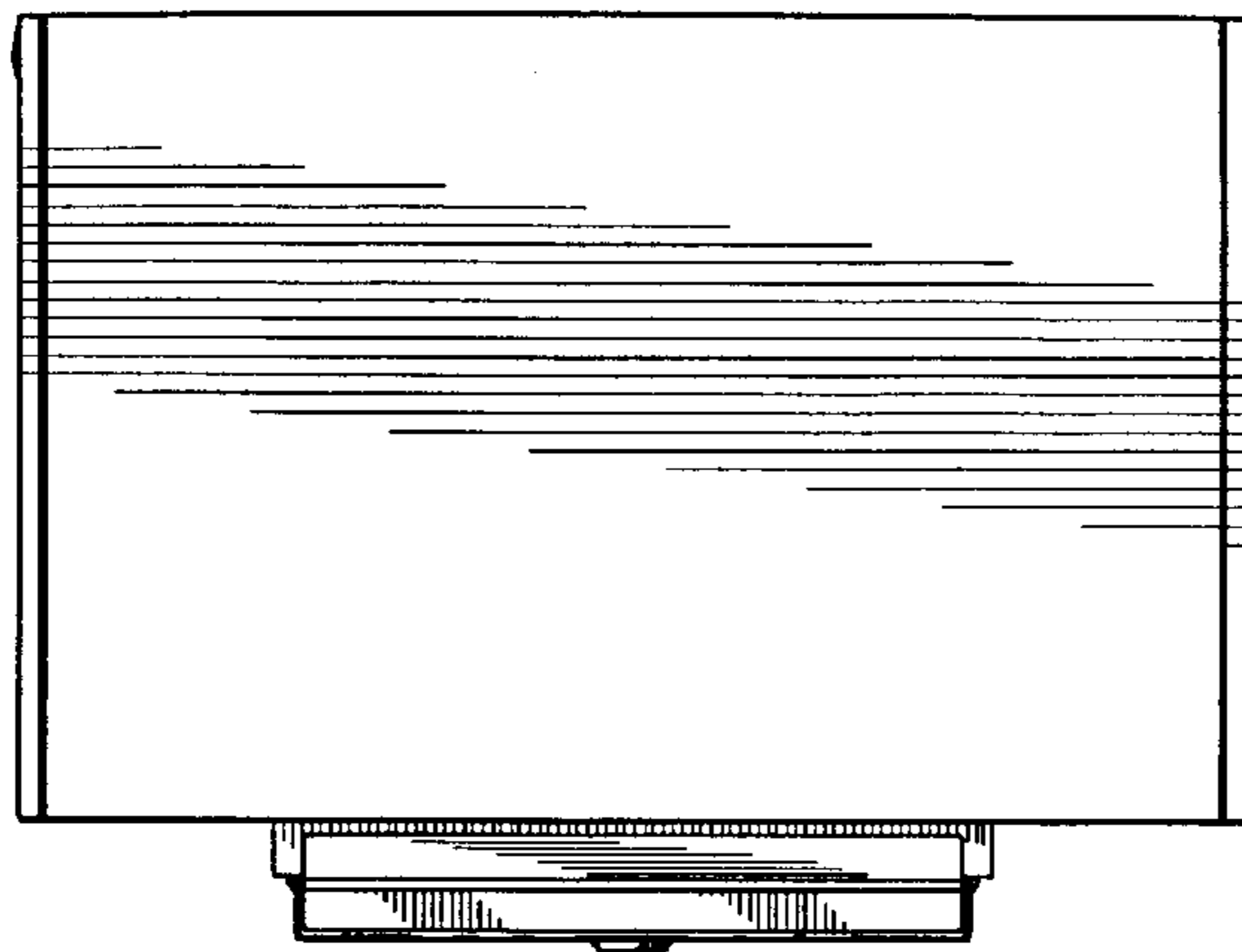


FIG. 4

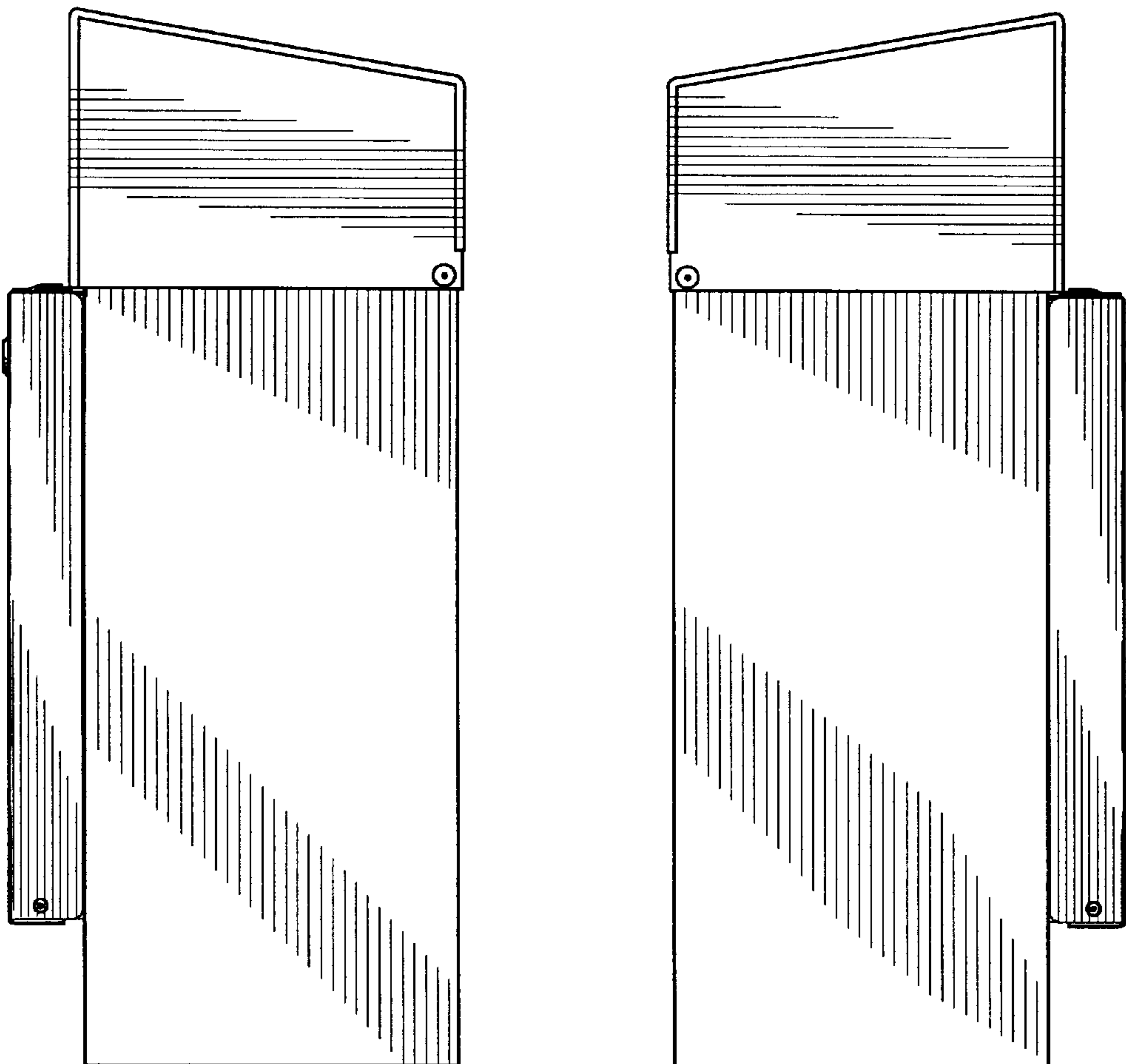


FIG. 5

FIG. 6

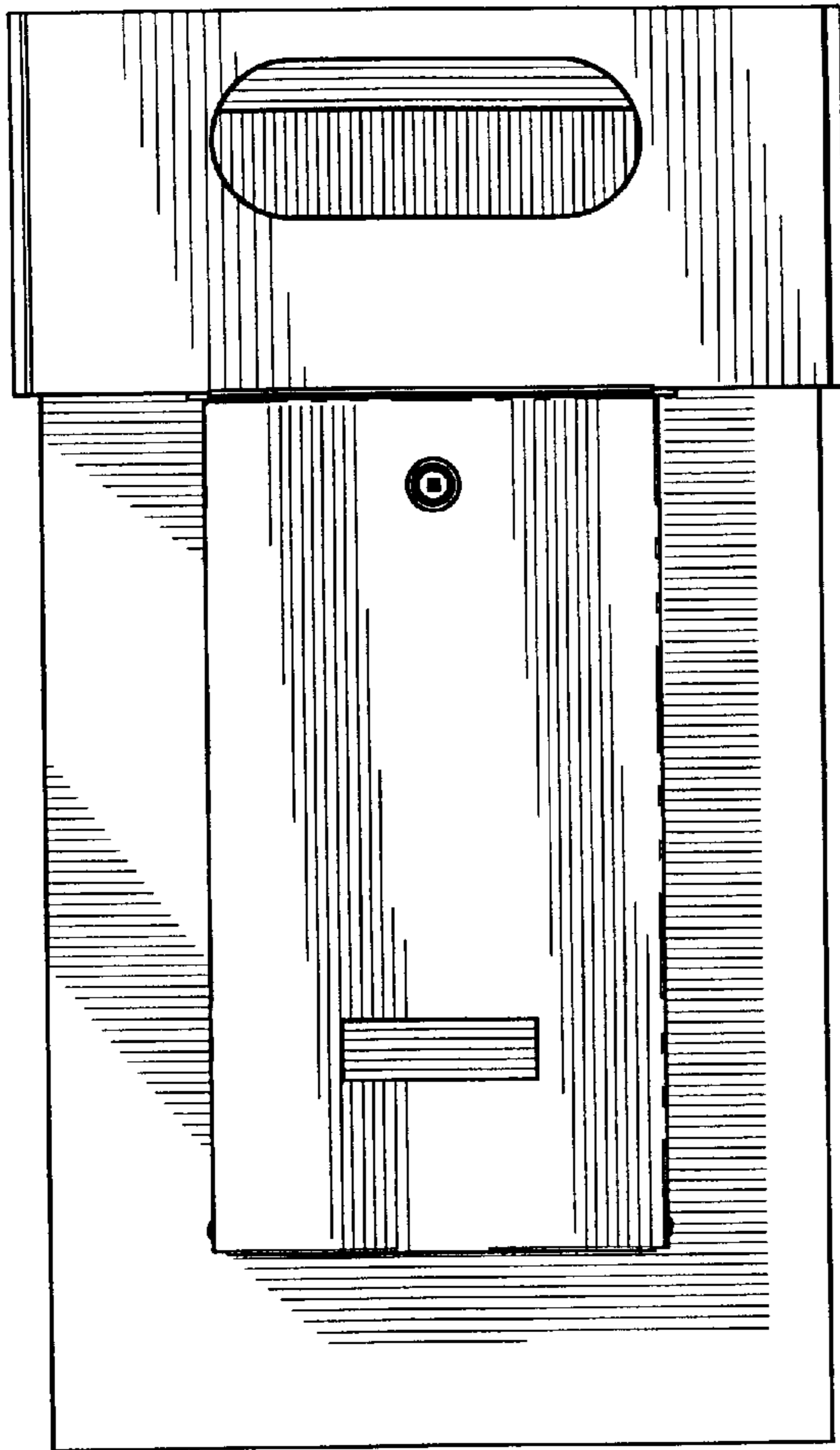


FIG. 7

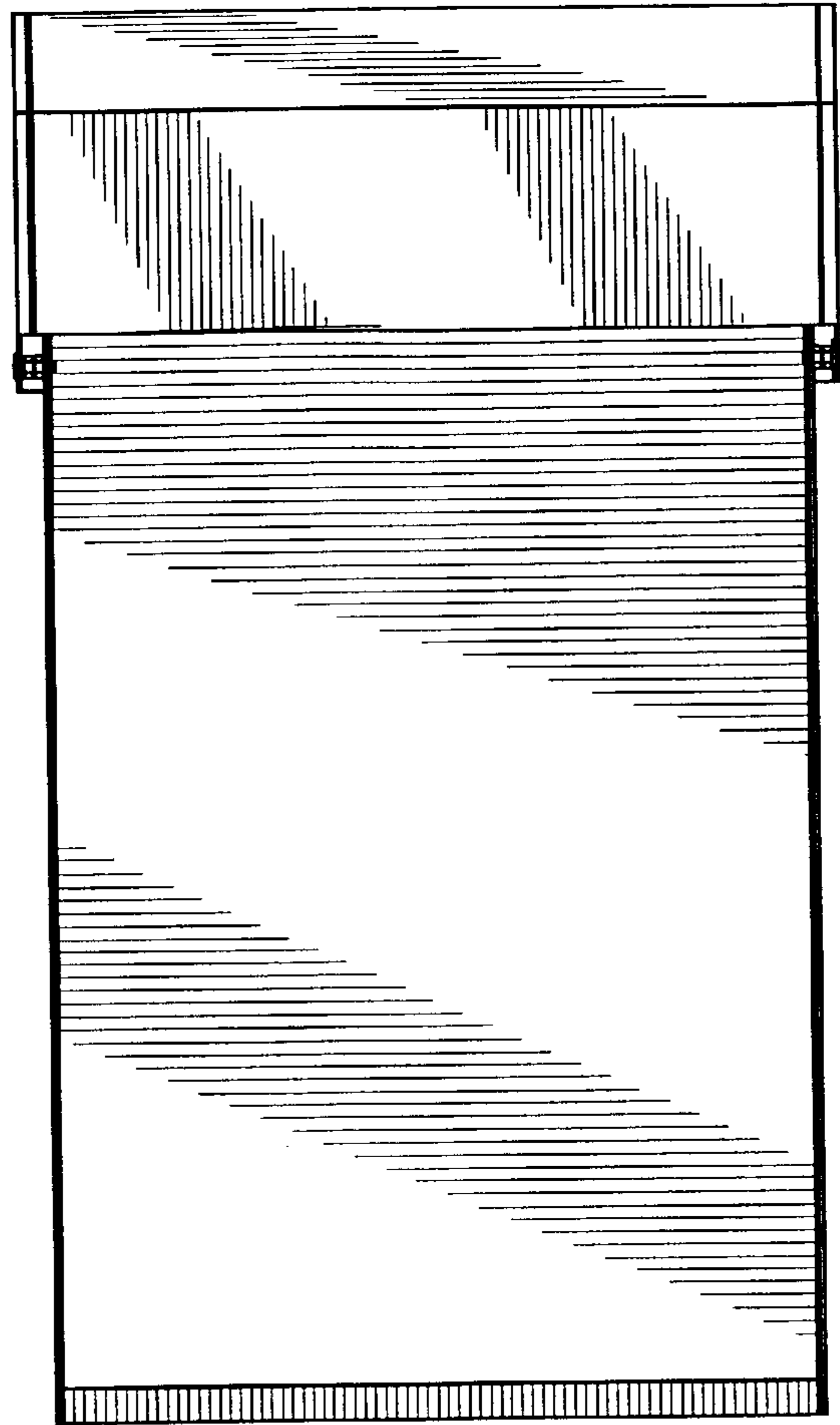


FIG. 8

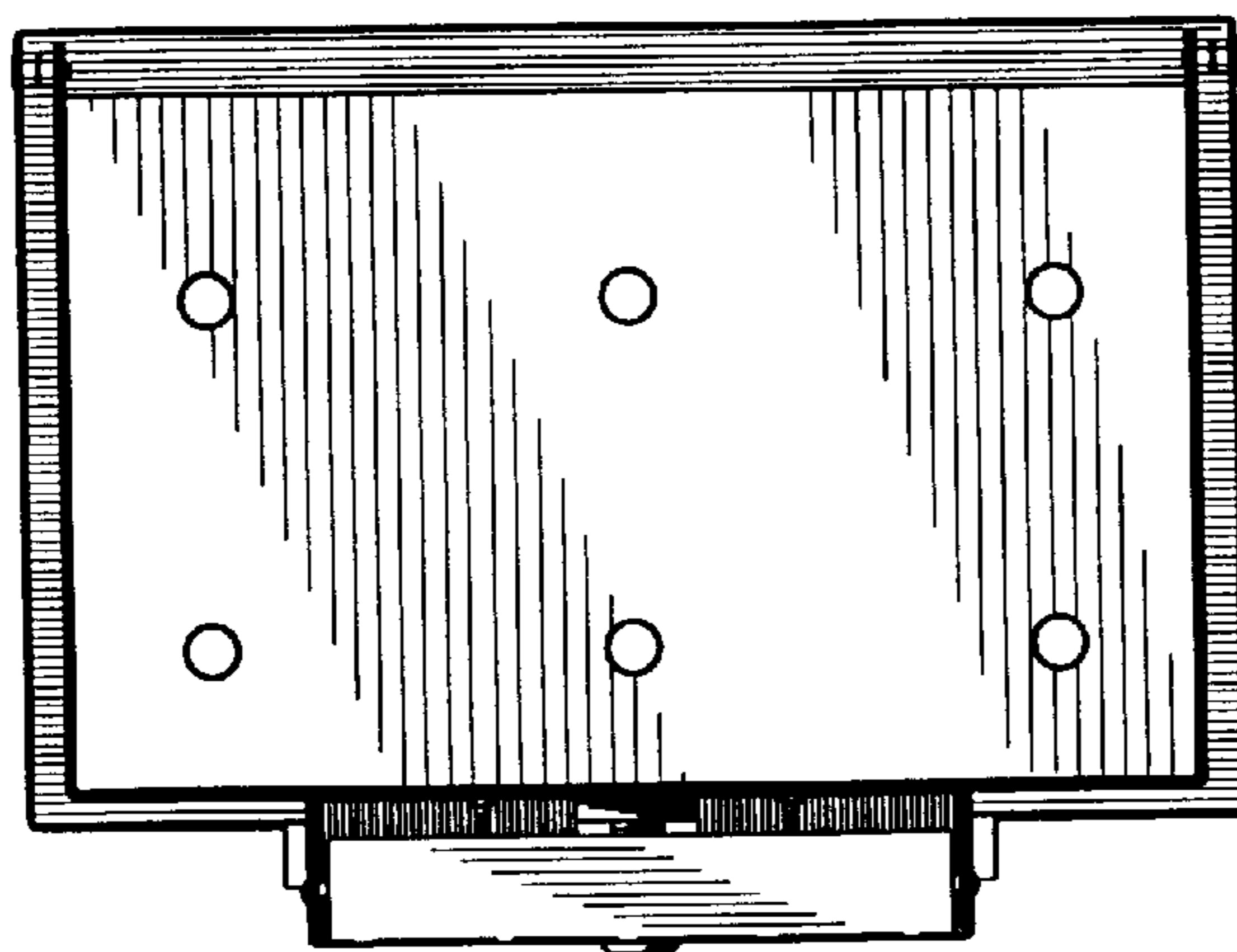


FIG. 9