



US00D460231S

(12) **United States Design Patent**
Bagwell et al.

(10) **Patent No.:** **US D460,231 S**

(45) **Date of Patent:** **** Jul. 9, 2002**

(54) **VACUUM CLEANER FLOOR TOOL**

(75) Inventors: **Martin Paul Bagwell**, Andover; **David Stuart Cole**, Burgess Hill; **Alastair Gordon Anderson**, Chippenham; **Alexander Anthony Denny Bassett**, Kenilworth; **Richard Morgan Hickmott**, Bath, all of (GB)

(73) Assignee: **Dyson Limited**, Wiltshire (GB)

(**) Term: **14 Years**

(21) Appl. No.: **29/147,075**

(22) Filed: **Aug. 23, 2001**

(30) **Foreign Application Priority Data**

Feb. 24, 2001 (GB) 2099795

(51) **LOC (7) Cl.** **15-05**

(52) **U.S. Cl.** **D32/32**

(58) **Field of Search** D32/21-22, 31-33,
D32/25; 15/322, 415.1-422.1, 41.1, 52.1,
387, 350-351, 366, 368, 383

(56) **References Cited**

U.S. PATENT DOCUMENTS

D312,904 S * 12/1990 Worwag D32/32

D333,022 S * 2/1993 Kramer et al. D32/32

D333,539 S * 2/1993 Kramer et al. D32/32

5,497,532 A * 3/1996 Glatz 15/401

D427,737 S * 7/2000 Dyson et al. D32/32

D443,120 S * 5/2001 Choi D32/32

D449,724 S * 10/2001 Nighy et al. D32/32

* cited by examiner

Primary Examiner—Ruth McInroy

(74) *Attorney, Agent, or Firm*—Morrison & Foerster LLP

(57) **CLAIM**

We claim the ornamental design for a vacuum cleaner floor tool, as shown and described.

DESCRIPTION

FIG. 1 is a perspective view of a vacuum cleaner floor tool of the design according to this invention.

FIG. 2 is a front view of a vacuum cleaner floor tool of the design according to this invention.

FIG. 3 is a rear view of the vacuum cleaner floor tool of the design according to this invention.

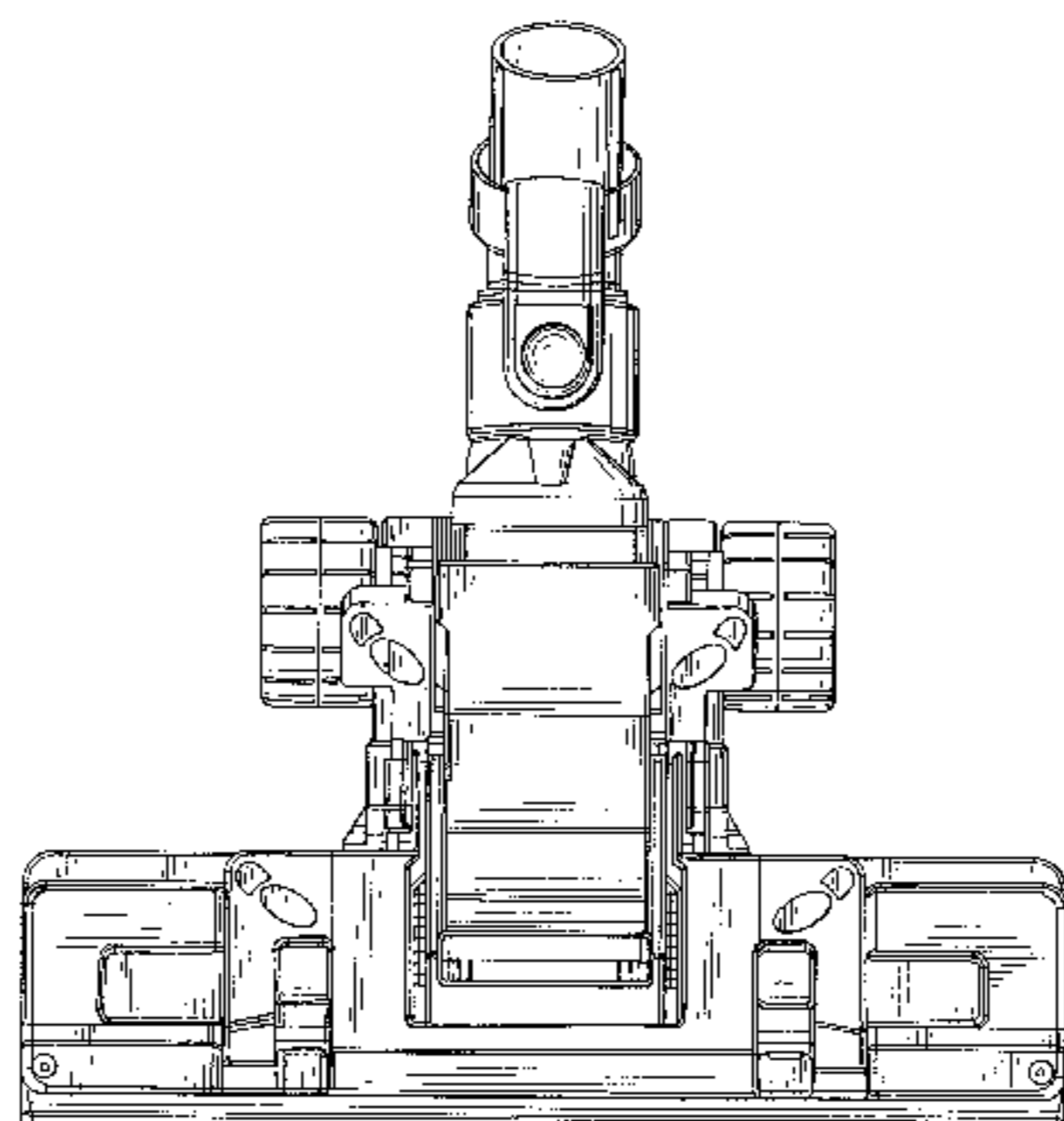
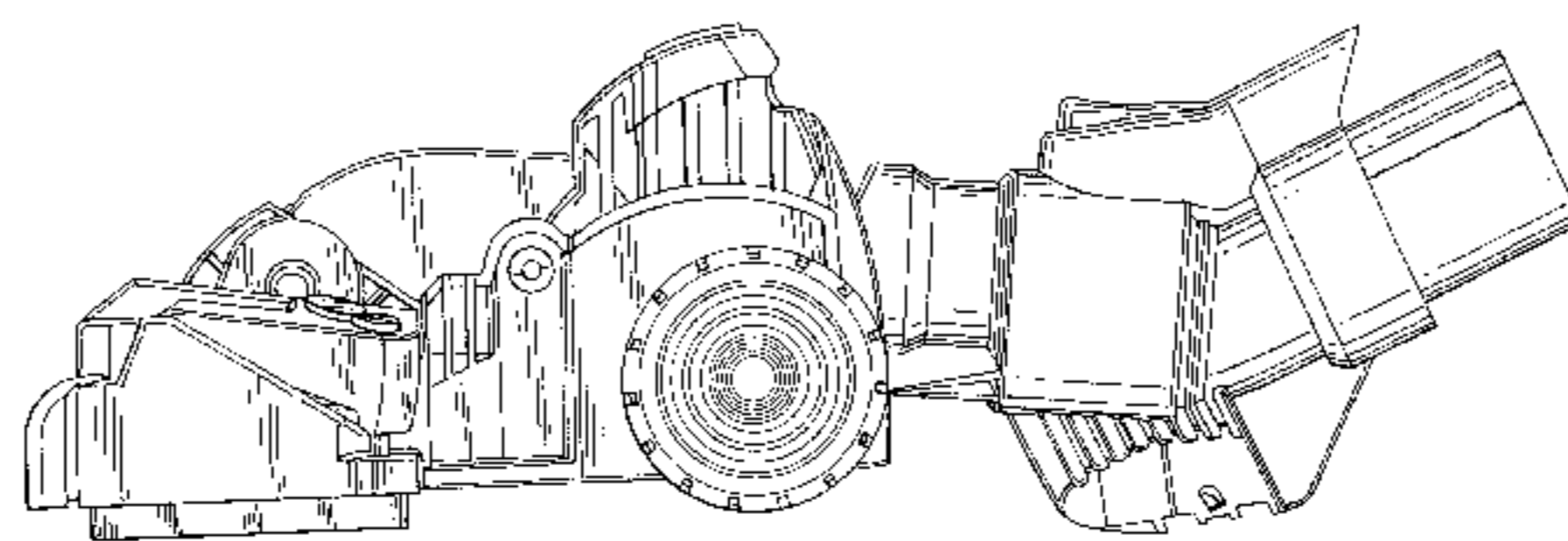
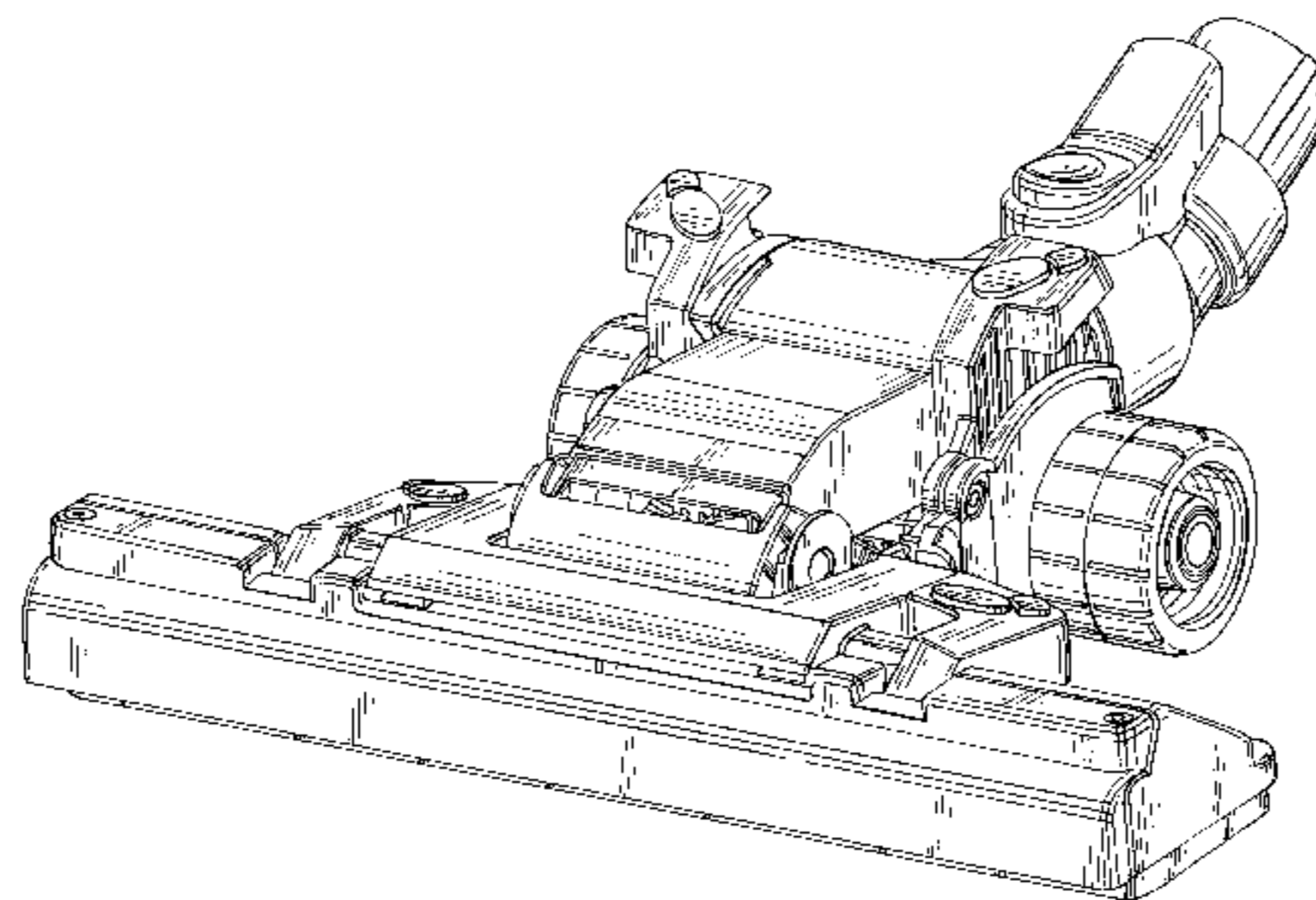
FIG. 4 is a right side view of a vacuum cleaner floor tool of the design according to this invention.

FIG. 5 is a left side view of a vacuum cleaner floor tool of the design according to this invention.

FIG. 6 is a view from underneath of a vacuum cleaner floor tool of the design according to this invention; and,

FIG. 7 is a plan view of a vacuum cleaner floor tool of the design according to this invention.

1 Claim, 6 Drawing Sheets



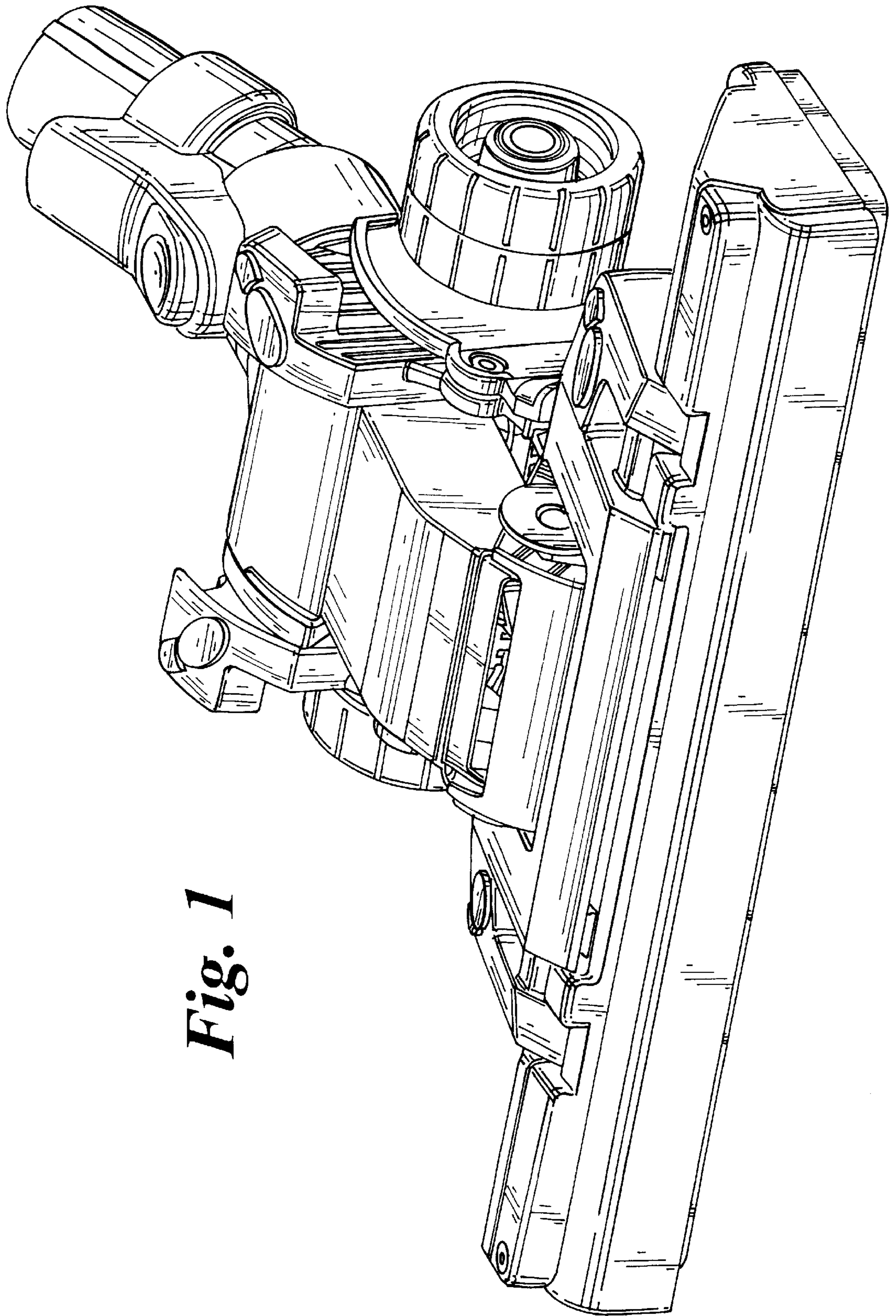
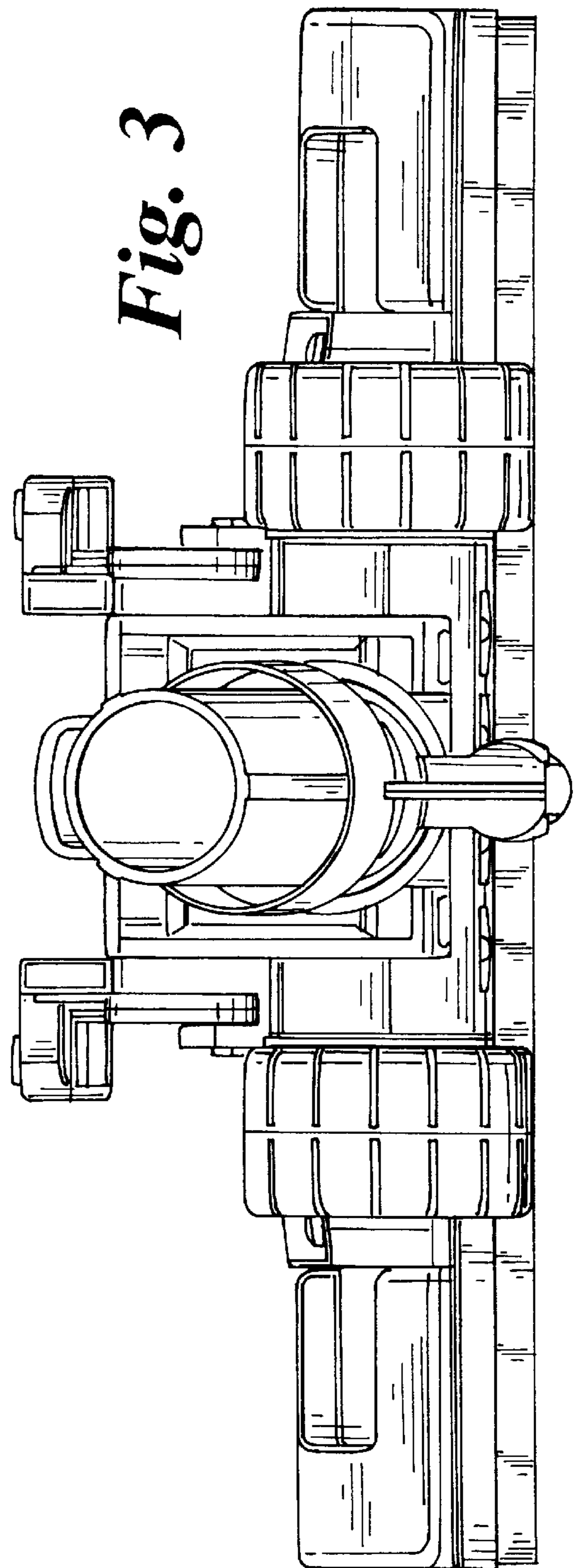
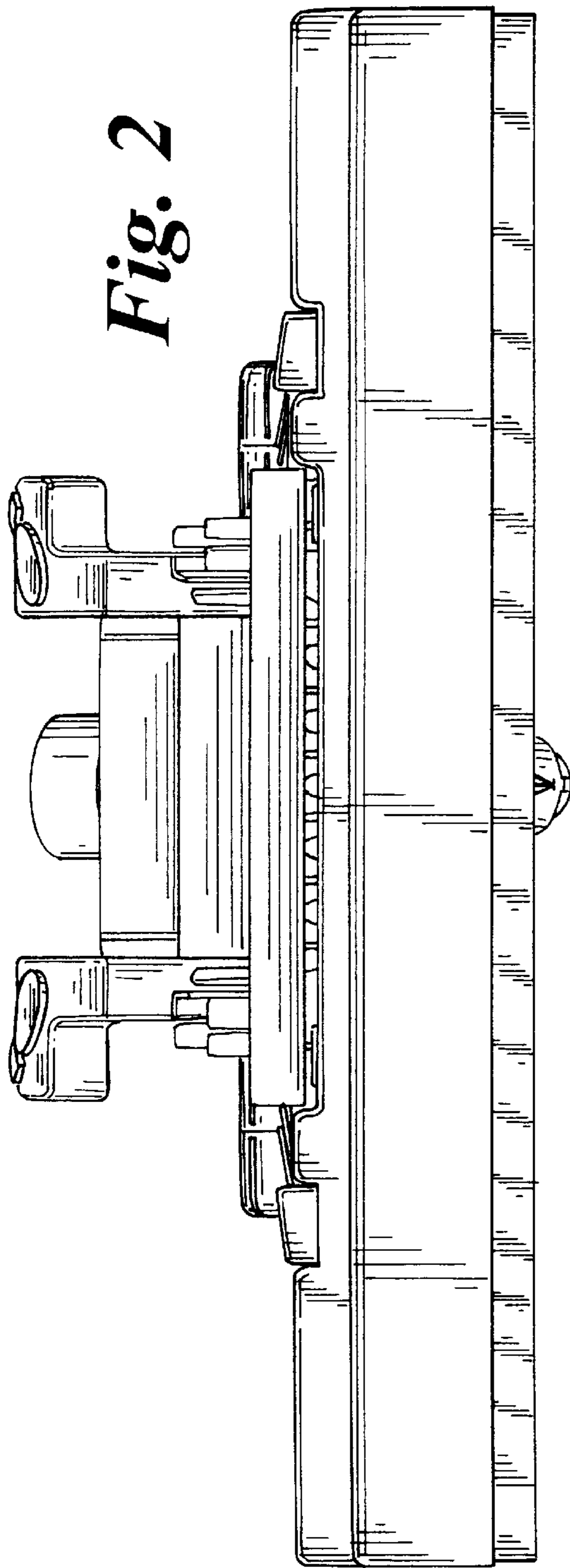


Fig. 1



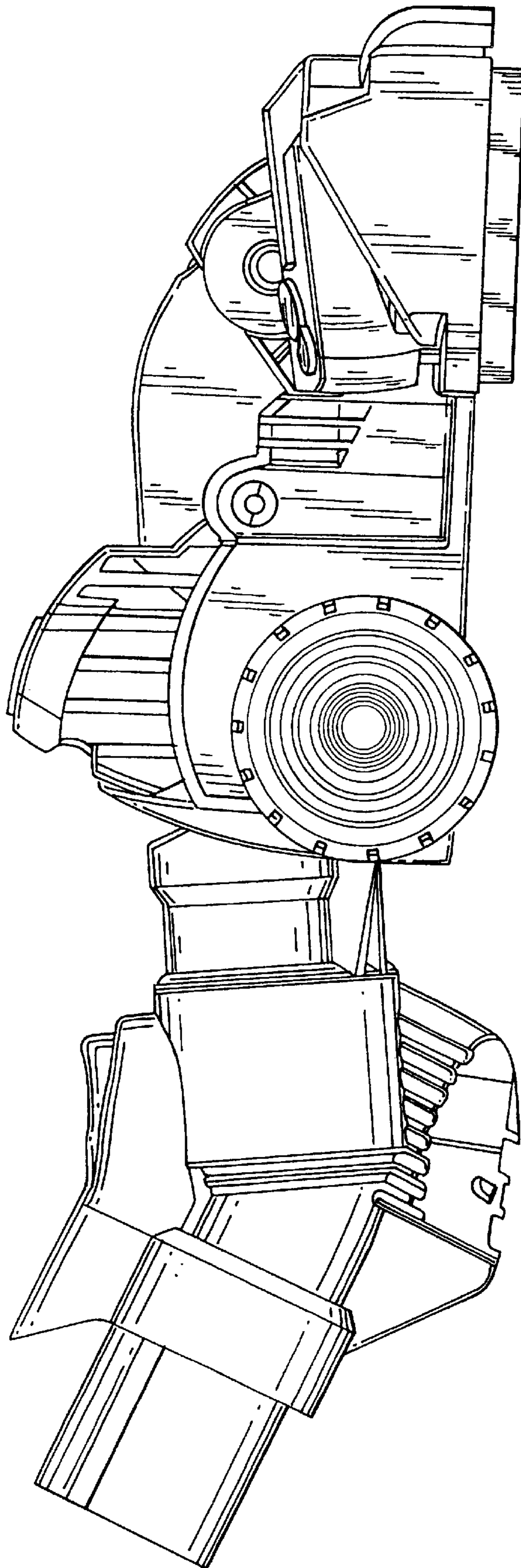


Fig. 4

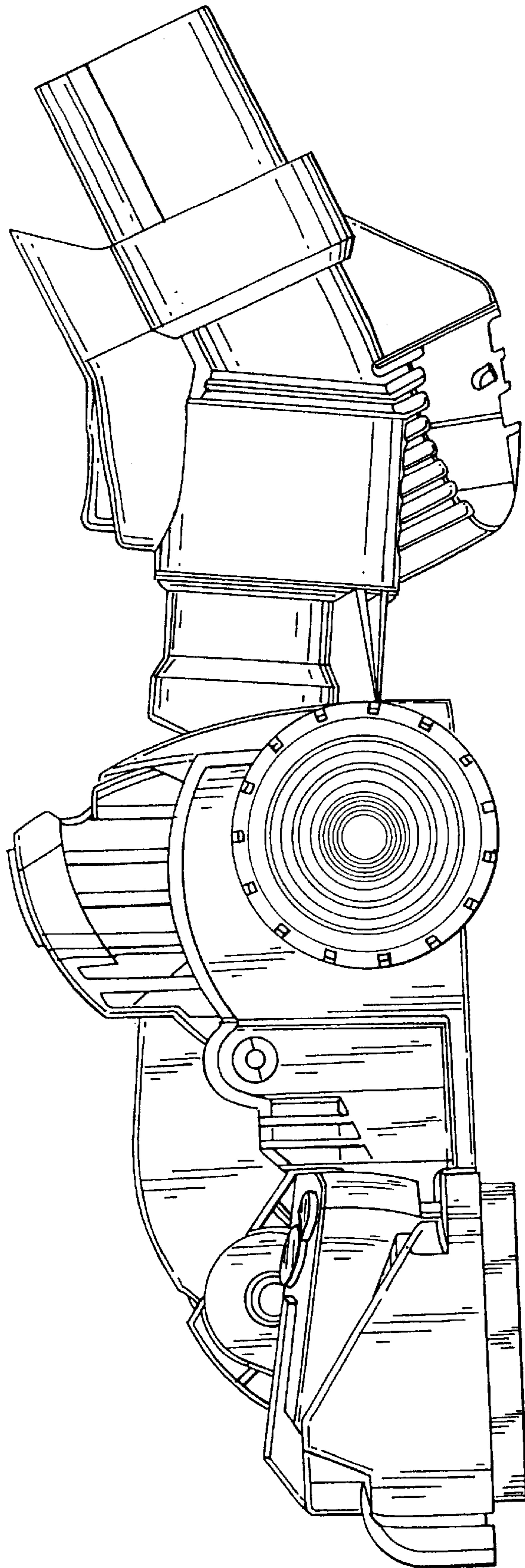


Fig. 5

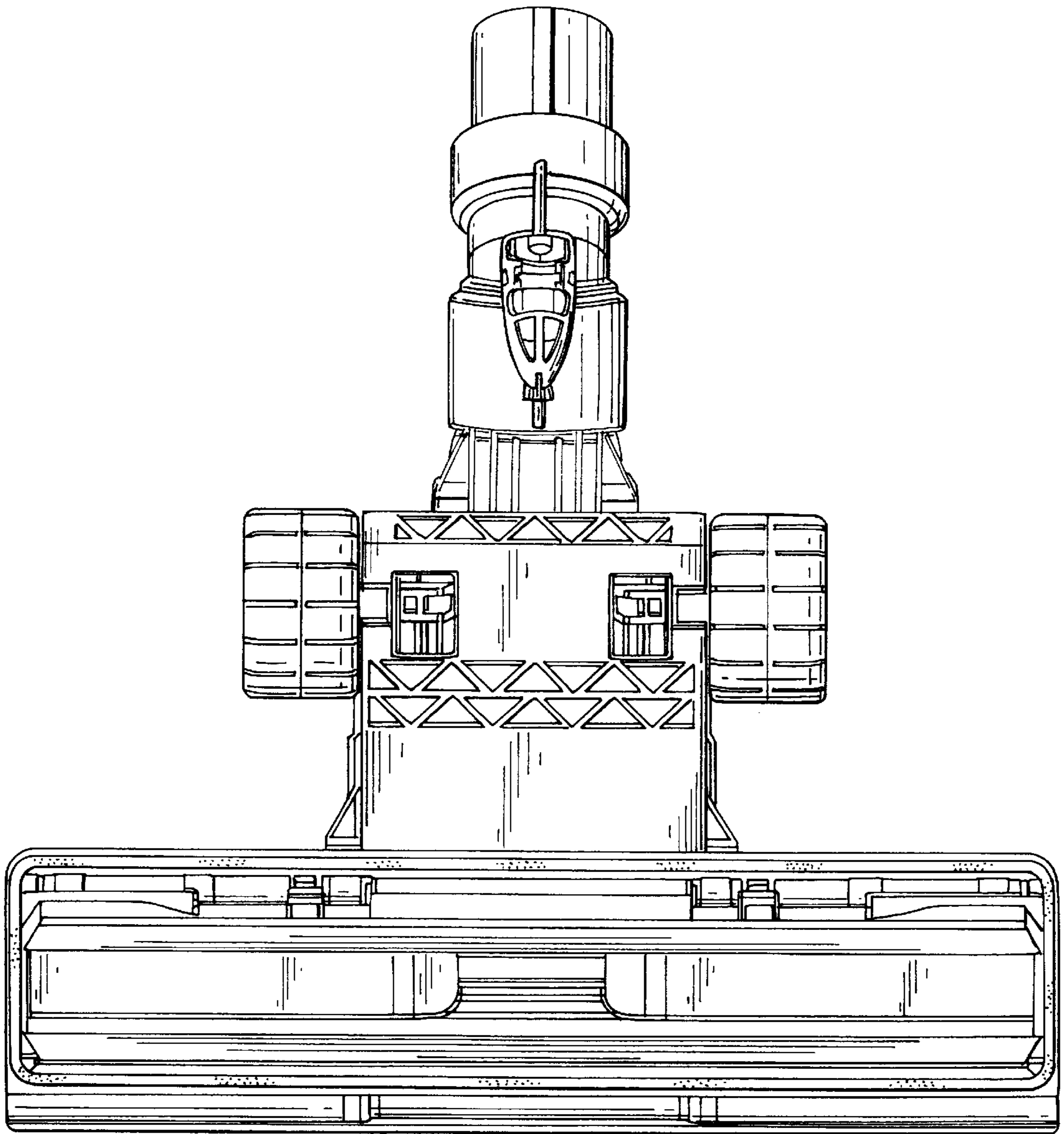


Fig. 6

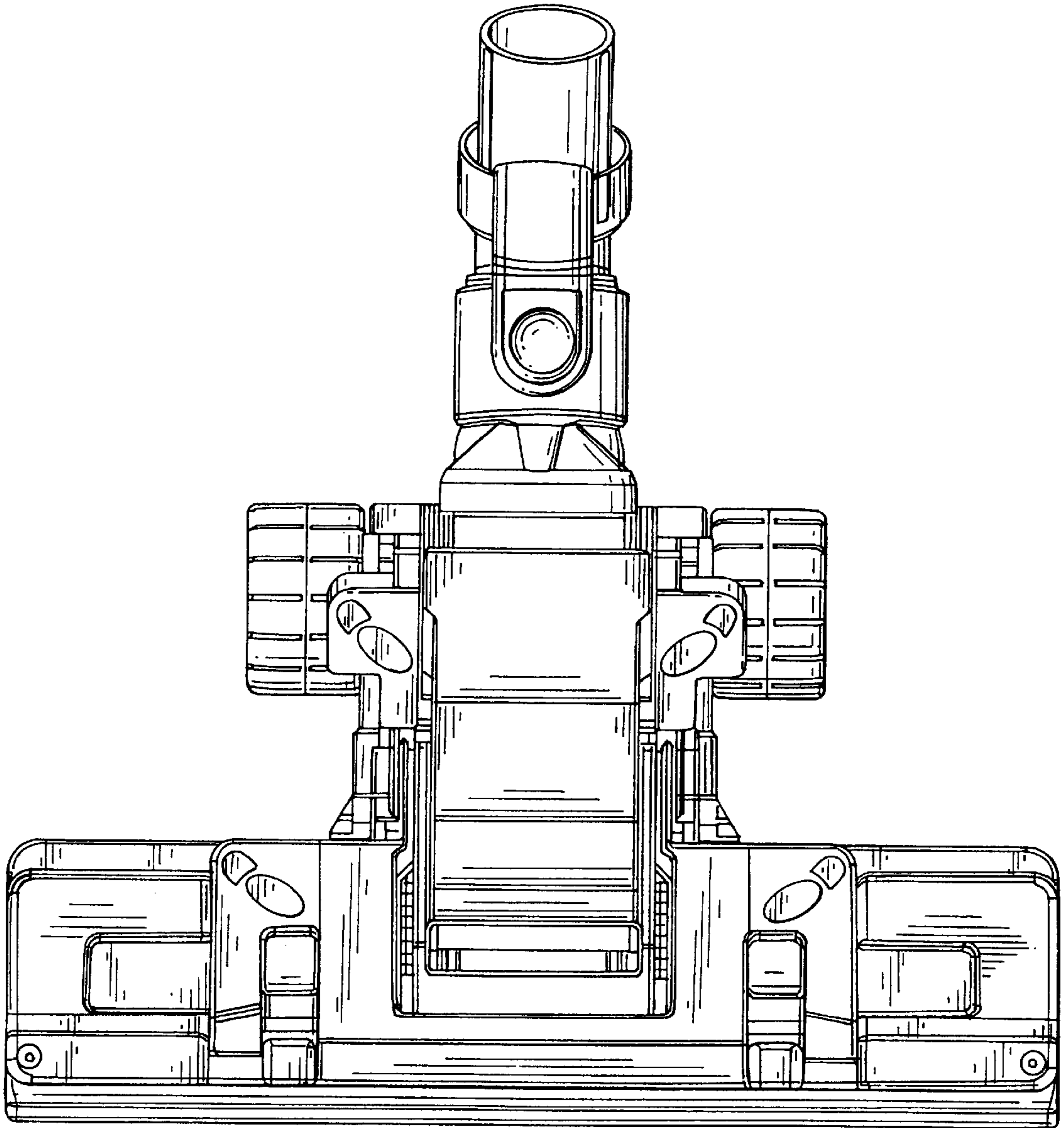


Fig. 7