



US00D460230S

(12) **United States Design Patent**
Griffin

(10) **Patent No.:** **US D460,230 S**

(45) **Date of Patent:** **** Jul. 9, 2002**

(54) **MOTOR COVER FOR VACUUM CLEANER**

(75) **Inventor:** **John Griffin, Phoenix, AZ (US)**

(73) **Assignee:** **Shop Vac Corporation, Williamsport, PA (US)**

(**) **Term:** **14 Years**

(21) **Appl. No.:** **29/141,598**

(22) **Filed:** **May 9, 2001**

(51) **LOC (7) Cl.** **15-05**

(52) **U.S. Cl.** **D32/31**

(58) **Field of Search** D32/21, 23-25,
D32/31; 15/327.1, 327.2, 327.3, 327.4,
327.5, 327.6, 327.7, 321, 323, 339

(56) **References Cited**

U.S. PATENT DOCUMENTS

2,920,337 A	1/1960	Smith	417/423.3
D287,171 S	12/1986	Berfield et al.	32/25
4,797,072 A	1/1989	Berfield et al.	417/423.3
4,836,753 A	6/1989	Berfield et al.	417/236
4,880,364 A	11/1989	Berfield	417/423.3
D315,624 S	3/1991	Kimura et al.	32/23
5,144,716 A	9/1992	Watanabe et al.	15/323
D357,336 S	4/1995	Moine et al.	32/23
D357,773 S	4/1995	Wareham et al.	32/23
D358,010 S	5/1995	Berfield et al.	32/23
D361,179 S	8/1995	Moine et al.	32/23
D362,091 S	9/1995	Tomasiak et al.	32/23
D372,567 S	8/1996	Moine et al.	32/23
D373,862 S	9/1996	Stephens et al.	32/23
5,606,769 A	3/1997	Tomasiak et al.	15/327.6
D383,575 S	9/1997	Griffin	32/23
D384,448 S	9/1997	Stephens et al.	32/23
D388,565 S	12/1997	Pietrobon	32/23
D389,962 S	1/1998	Berfield et al.	32/23
D395,119 S	6/1998	Berfield et al.	34/23
5,943,731 A *	8/1999	Wood	15/323
D429,042 S	8/2000	Griffin et al.	32/23
D429,855 S	8/2000	Griffin	32/23
D429,857 S	8/2000	Griffin	32/23
D430,367 S	8/2000	Griffin	32/23
D430,713 S	9/2000	Griffin	32/23
D438,353 S *	2/2001	Hoshino et al.	D32/23

D438,678 S	3/2001	Griffin	32/21
D439,710 S	3/2001	Griffin	32/31
D444,274 S	6/2001	Griffin	
D444,276 S	6/2001	Griffin	
D445,548 S *	7/2001	Griffin	D32/21
D445,549 S	7/2001	Griffin	
D446,892 S *	8/2001	Griffin	D32/23
D447,292 S	8/2001	Griffin	
D447,293 S	8/2001	Griffin	
D477,292	8/2001	Griffin	D32/23
D477,293	8/2001	Griffin	D32/23
D447,842 S *	9/2001	Griffin	D32/23
D447,843 S *	9/2001	Griffin	D32/23
D447,844 S	9/2001	Griffin	
D452,052 S *	12/2001	Griffin	D32/23
D454,672 S	3/2002	Griffin	

OTHER PUBLICATIONS

SHOP-VAC Brochure, QSP Series, Quiet Super Power Wet/Dry Vacs, Model Nos. 900-80 thru 900-84, dated Aug. 1993.

(List continued on next page.)

Primary Examiner—Ruth McInroy

(74) *Attorney, Agent, or Firm*—Marshall, Gerstein, & Borun.

(57) **CLAIM**

The ornamental design for a motor cover for vacuum cleaner, as shown and described.

DESCRIPTION

FIG. 1 is a left side perspective view taken from the front and above of a motor cover for vacuum cleaner showing my new design;

FIG. 2 is a left side perspective view taken from the rear and above thereof;

FIG. 3 is a top plan view thereof;

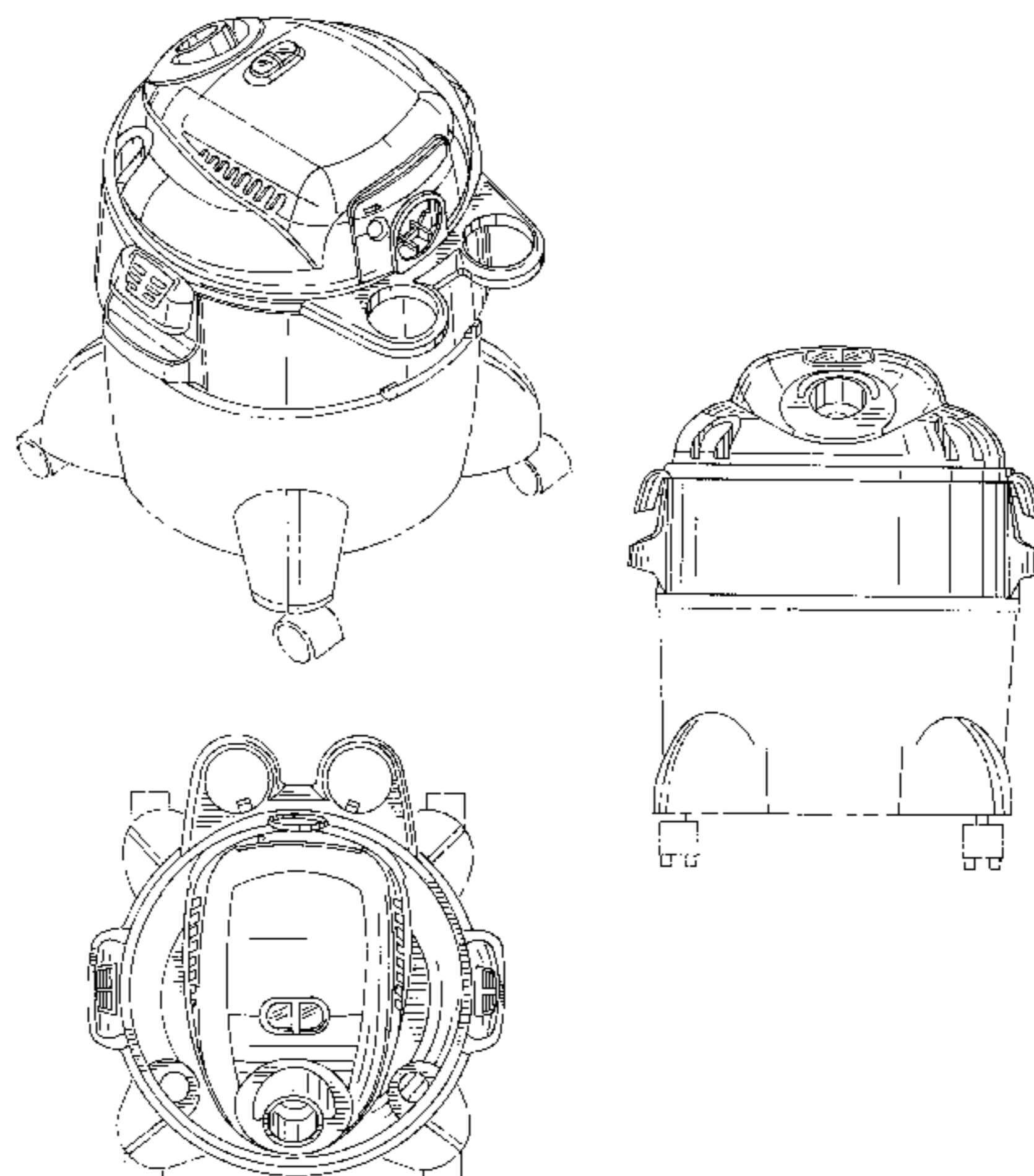
FIG. 4 is a front elevational view thereof;

FIG. 5 is a left side elevational view, the right side elevational view being a mirror image thereof; and,

FIG. 6 is a rear view thereof.

The tank shown in broken lines in FIGS. 1-6 is for illustrative purposes only and forms no part of the claimed design.

1 Claim, 6 Drawing Sheets



OTHER PUBLICATIONS

SHOP-VAC Brochure, 707 Series Super Performance Wet/Dry Vacs, Model No. 707-10, dated Mar. 1991.

SHOP-VAC Brochure, QSP Series—Quiet Super Performance Wet/Dry Vacs, Models 900-86 and 900-87, dated Aug. 1993.

SHOP-VAC Brochure, QSP Series—Quiet Super Power Wet/Dry Vacs, Model No. 900-29, dated Aug. 1993.

SHOP-VAC Brochure, Series 914—Quiet Super Performance Wet/Dry Vacs, Model Nos. 914-15 and 914-27, dated Apr. 1997.

SHOP-VAC Brochure, FLOORMASTER, Wet & Dry Cleaning System, Model No. 909-50, dated Jan. 1989.

SHOP-VAC Brochure, The QSP Line of Wet/Dry Vacs from Shop Vac, dated 1994.

SHOP-VAC Brochure, ALL AROUND Vac, dated 1997.

SHOP-VAC Brochure, QSP PRO, dated 1998.

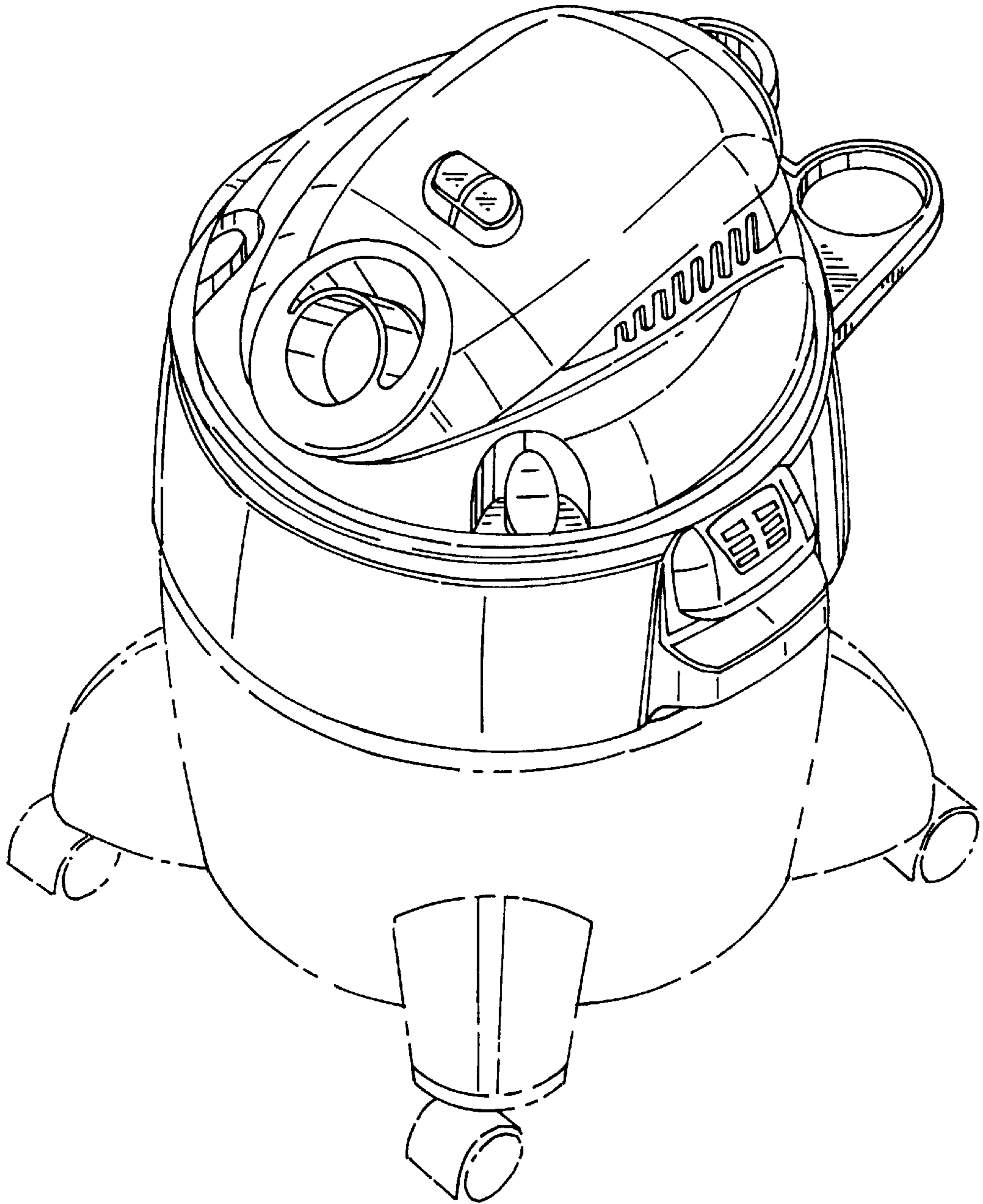
SHOP-VAC Brochure, QPV, dated 1997.

SHOP-VAC Brochure, 1X1 Wet/Dry Vac, dated 1997.

Karcher Catalogue, High Performance Wet and Dry Vacuums, Dust Extraction and Spray Extraction Machines, dated 1999.

* cited by examiner

FIG. 1



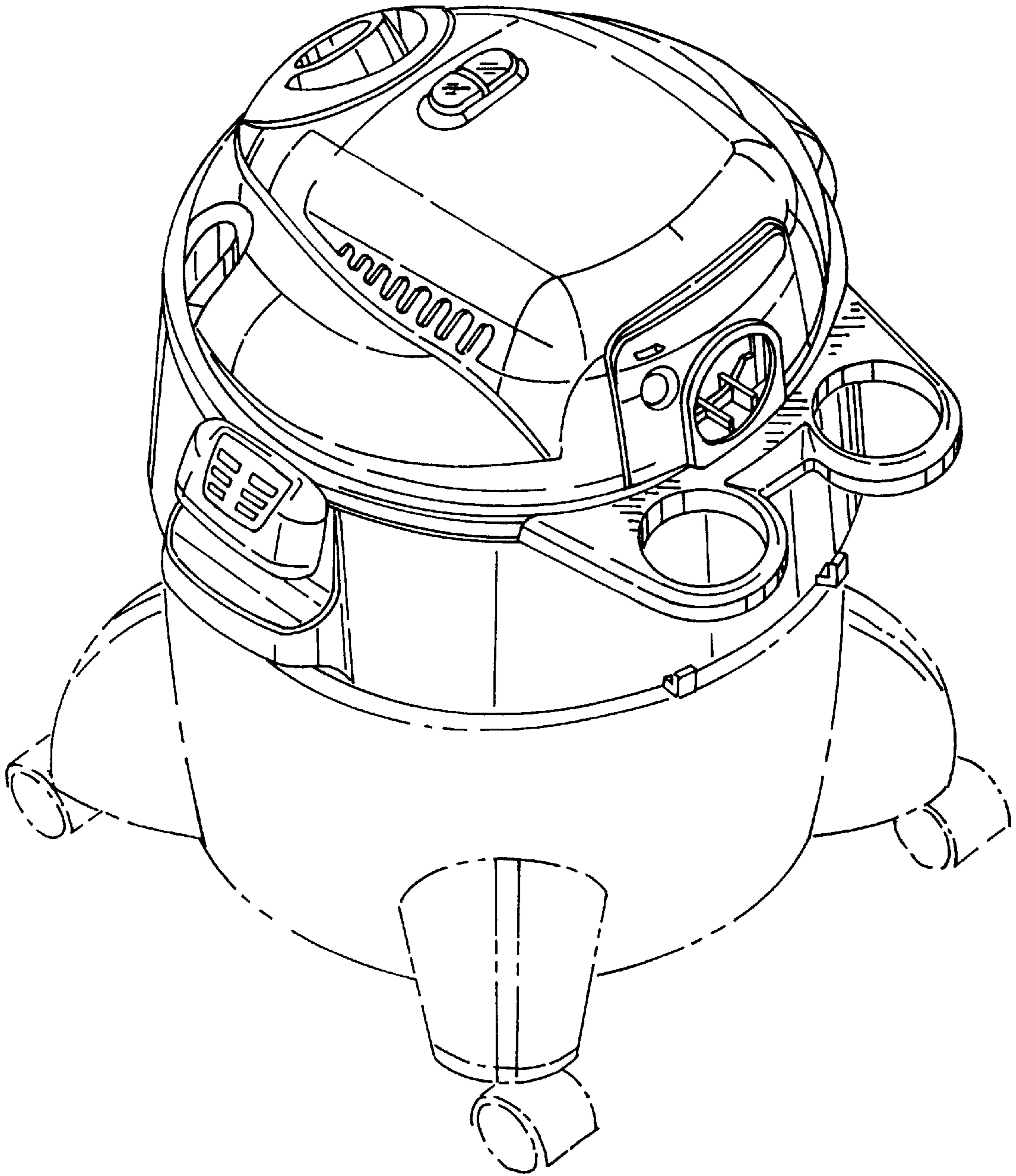


FIG. 2

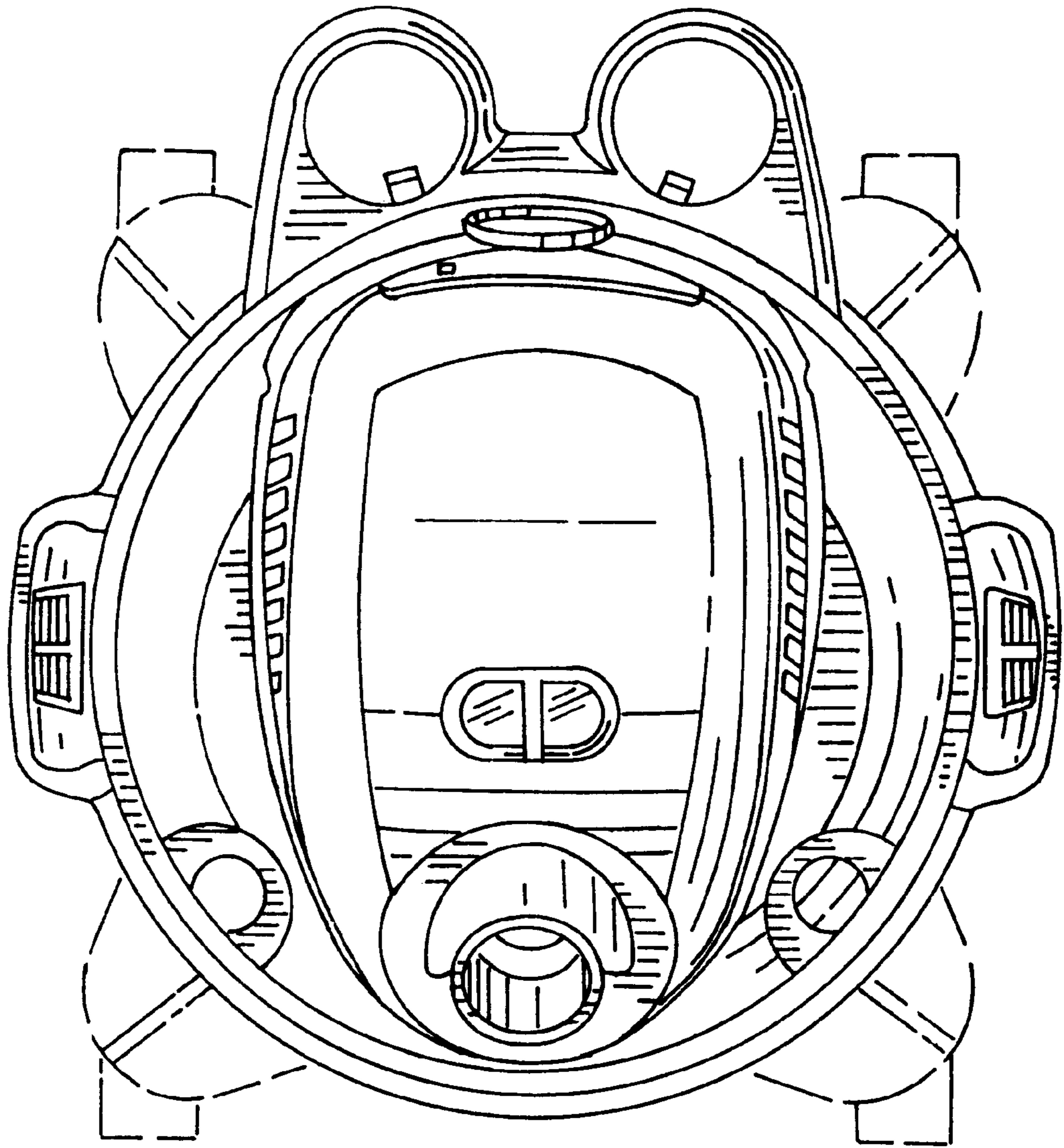


FIG. 3

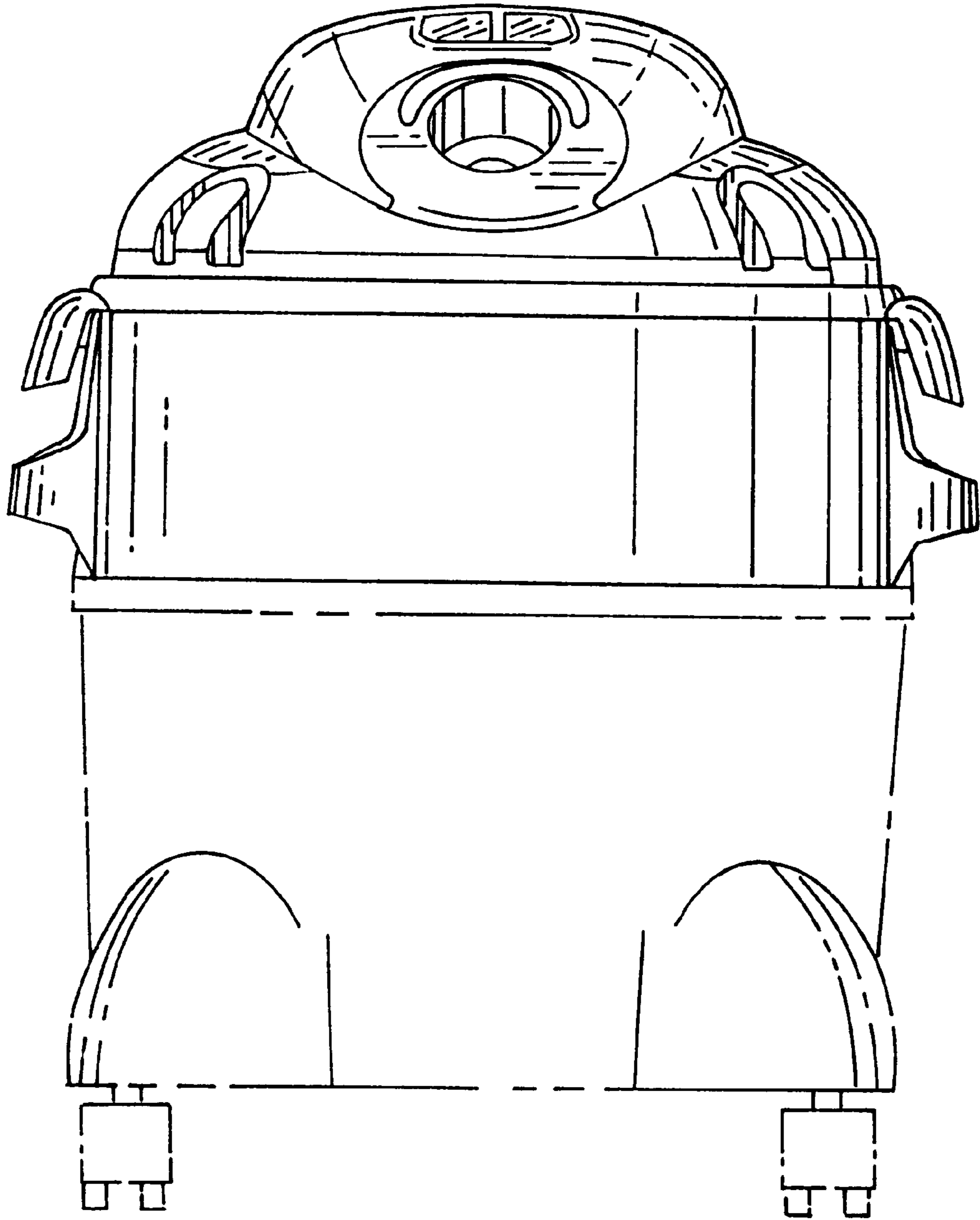


FIG. 4

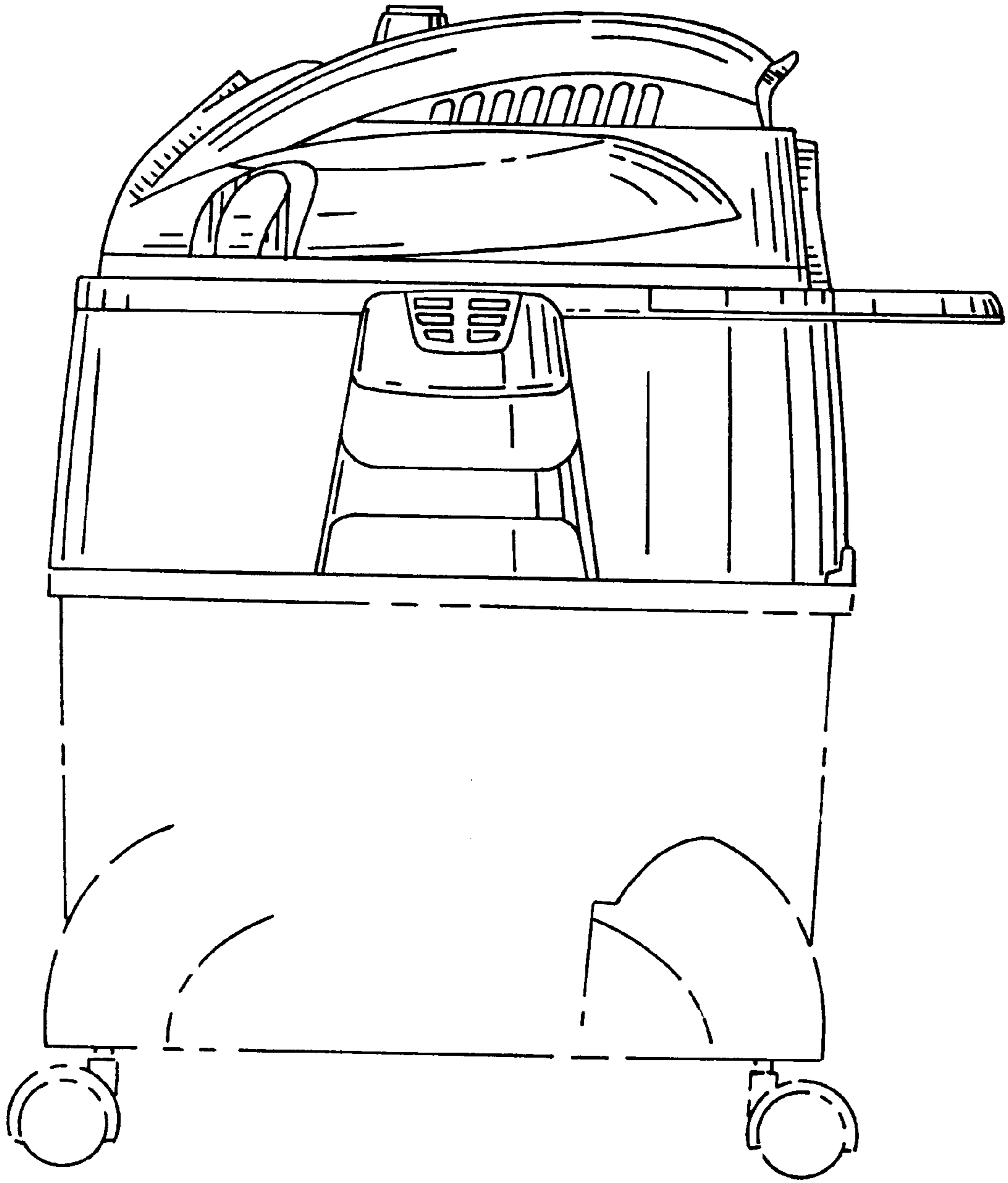


FIG. 5

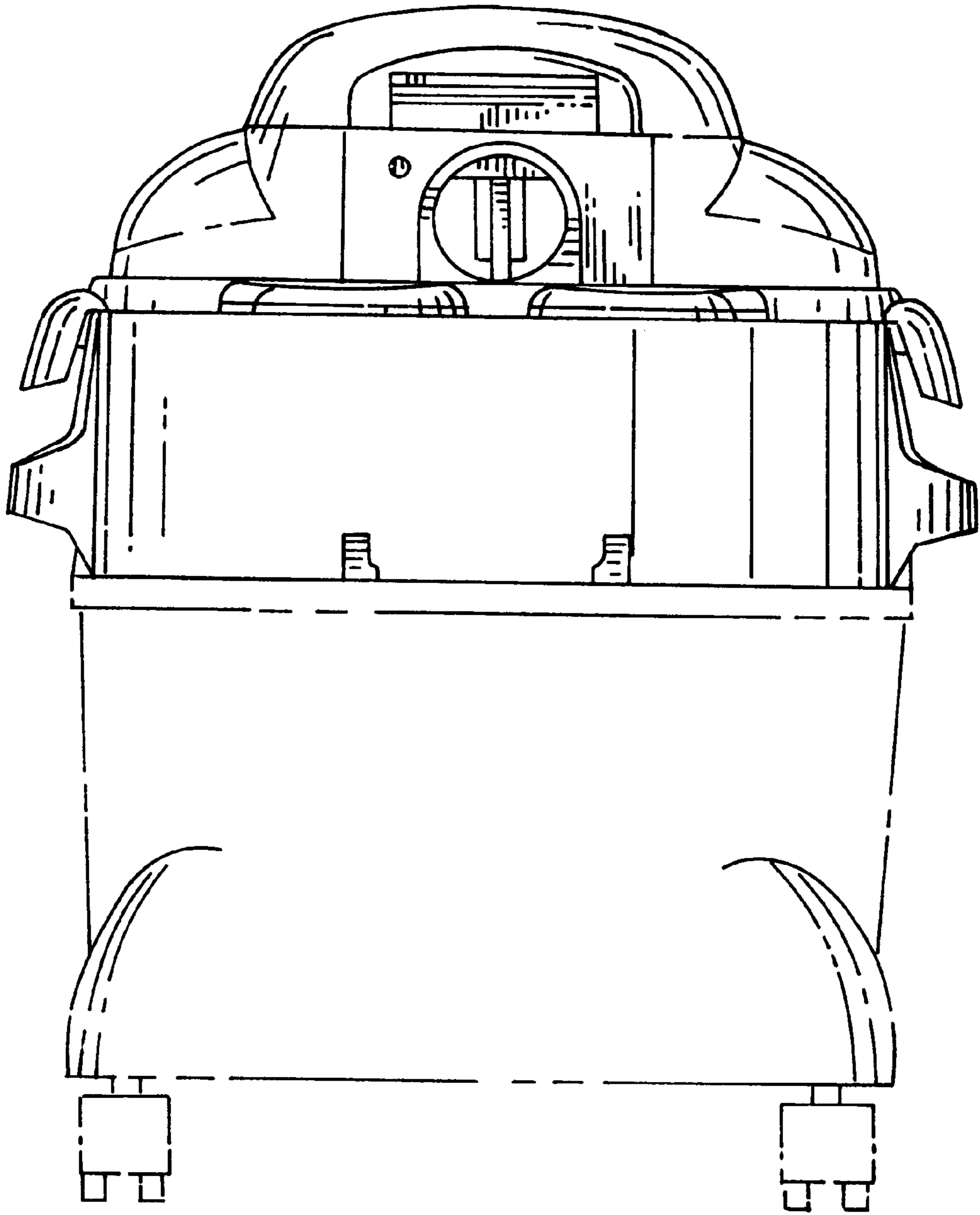


FIG. 6