



US00D460228S

(12) **United States Design Patent**  
**Zahuranec et al.**

(10) **Patent No.:** **US D460,228 S**

(45) **Date of Patent:** **\*\* Jul. 9, 2002**

(54) **U-SHAPED HANDLE FOR CARPET EXTRACTOR**

(75) Inventors: **Terry L. Zahuranec**, North Olmsted; **Brett Latimer**; **Robert A. Salo**, both of Mentor; **Mark E. Cipolla**, Chardon; **Wallace D. Tiller, Jr.**, Stow; **Jeffrey M. Kalman**, Cleveland Hts.; **Craig M. Saunders**, Rocky River; **Richard C. Farone**, Willoughby; **Robert A. Matousek**, Lakewood, all of OH (US)

(73) Assignee: **Royal Appliance Mfg. Co.**, Glenwillow, OH (US)

(\*\*) Term: **14 Years**

(21) Appl. No.: **29/135,512**

(22) Filed: **Jan. 12, 2001**

(51) **LOC (7) Cl.** ..... **15-05**

(52) **U.S. Cl.** ..... **D32/31**

(58) **Field of Search** ..... D32/22, 25, 30-31, D32/34; 15/320-323, 347, 350, 352-353, DIG. 8, DIG. 10; 55/337, 429, 266, 310-311, 345, 420; 95/12, 19, 271

(56) **References Cited**

**U.S. PATENT DOCUMENTS**

3,540,072 A	11/1970	Wolter et al.	
3,624,861 A	12/1971	Freiheit	
D361,803 S	* 8/1995	Houry et al.	..... D21/526
D365,179 S	12/1995	Bradd	
D403,482 S	12/1998	Essex et al.	
D406,928 S	3/1999	Rowley et al.	
5,887,313 A	* 3/1999	Hanold et al.	..... 15/320

D412,379 S	* 7/1999	Stephens et al.	..... D32/31
6,026,540 A	* 2/2000	Wright et al.	..... 15/347
D440,365 S	* 4/2001	Salo et al.	..... D32/31
D441,154 S	* 4/2001	Roberts et al.	..... D32/31
D442,750 S	* 5/2001	Saunders et al.	..... D32/31

**FOREIGN PATENT DOCUMENTS**

GB 2337923 12/1999

**OTHER PUBLICATIONS**

US 6,266,845, 07/2001, Lang (withdrawn)\*.

\* cited by examiner

*Primary Examiner*—Ruth McInroy

(74) *Attorney, Agent, or Firm*—Fay, Sharpe, Fagan, Minnich & McKee LLP

(57) **CLAIM**

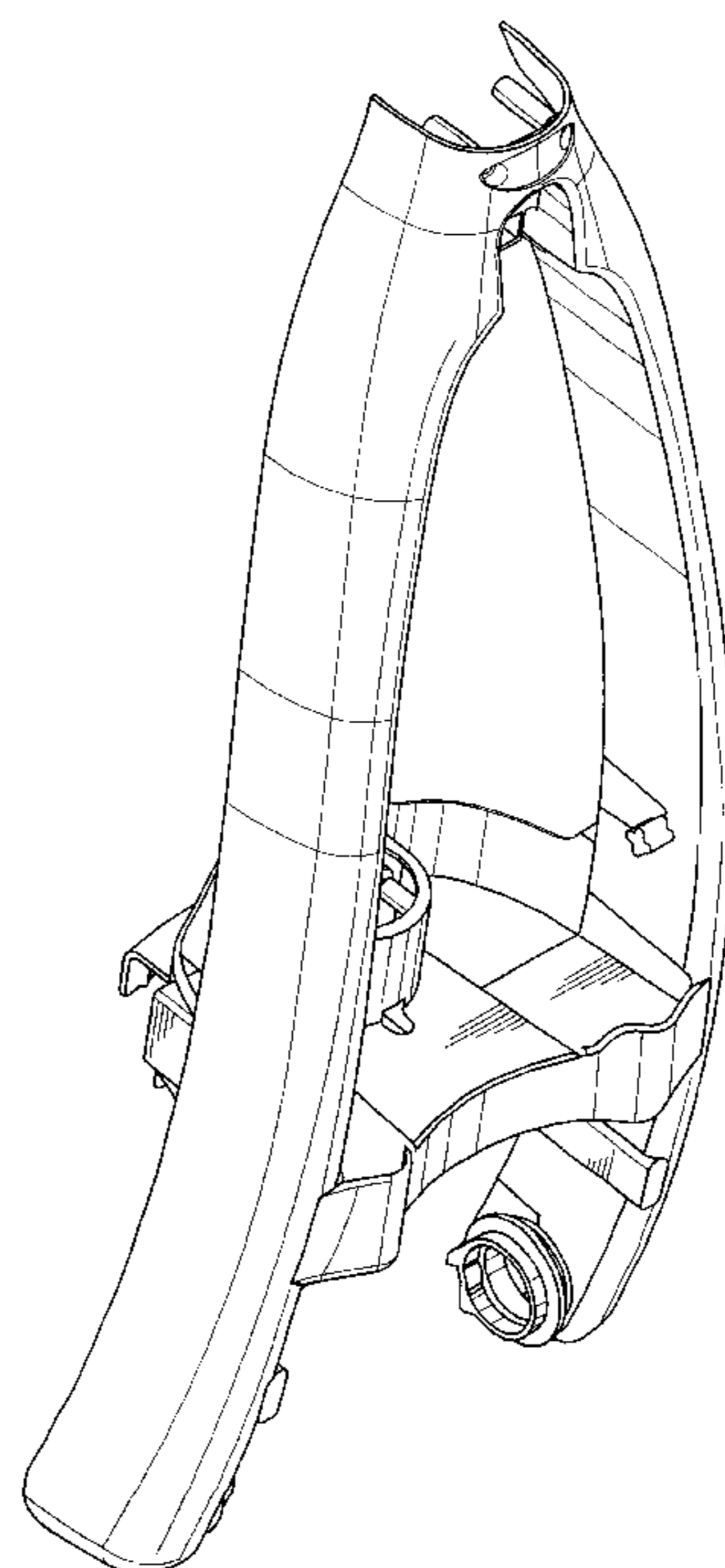
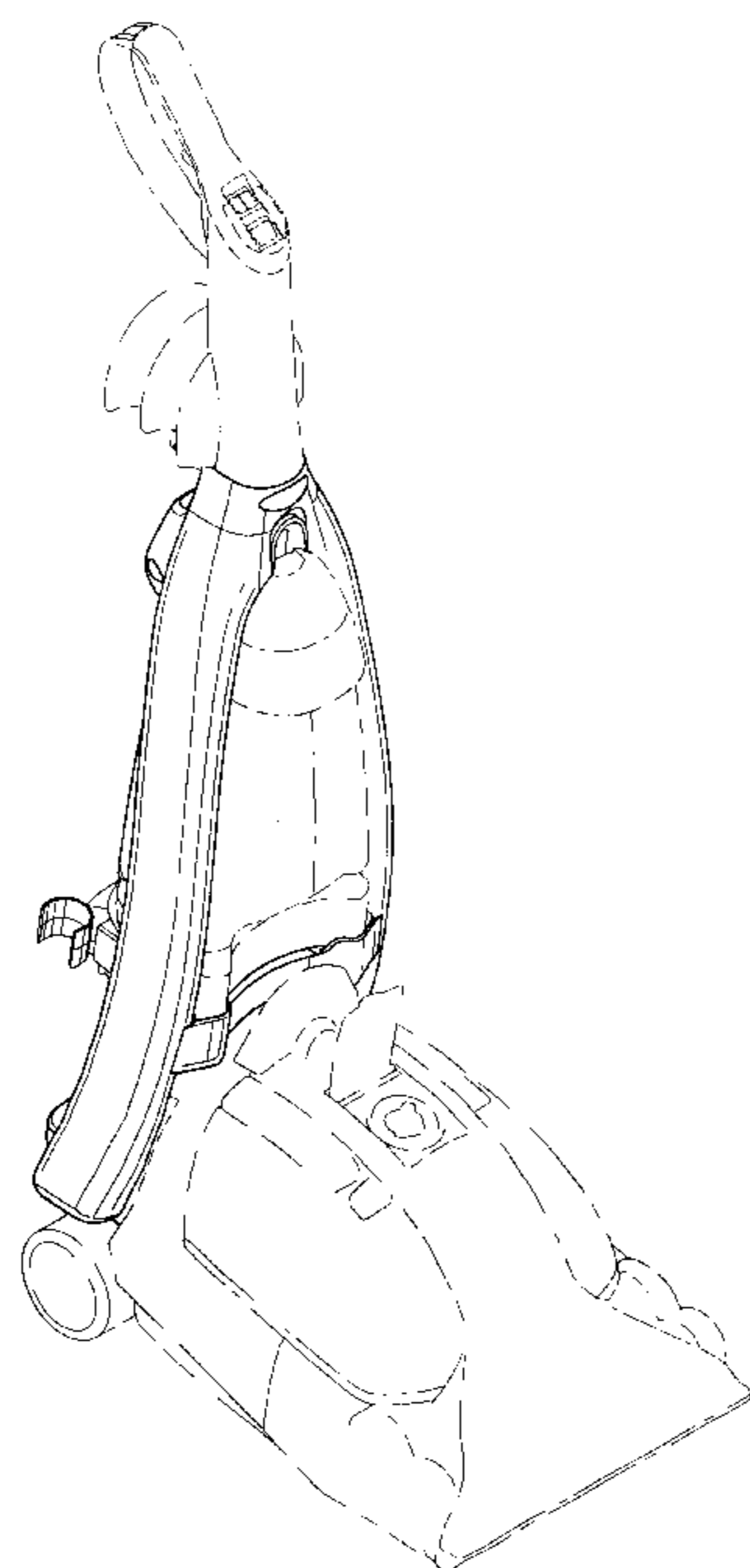
The ornamental design for a U-shaped handle for carpet extractor, as shown and described.

**DESCRIPTION**

FIG. 1 is a perspective view of a U-shaped handle for carpet extractor showing our new design; FIG. 2 is a perspective view of the handle alone; FIG. 3 is a rear elevational view thereof; FIG. 4 is a left side elevational view thereof; FIG. 5 is a front elevational view thereof; FIG. 6 is a right side elevational view thereof; FIG. 7 is a top plan view thereof; and, FIG. 8 is a bottom plan view thereof.

The carpet extractor parts shown in broken lines in FIG. 1 are shown for illustrative purposes only and form no part of the claimed design.

**1 Claim, 5 Drawing Sheets**



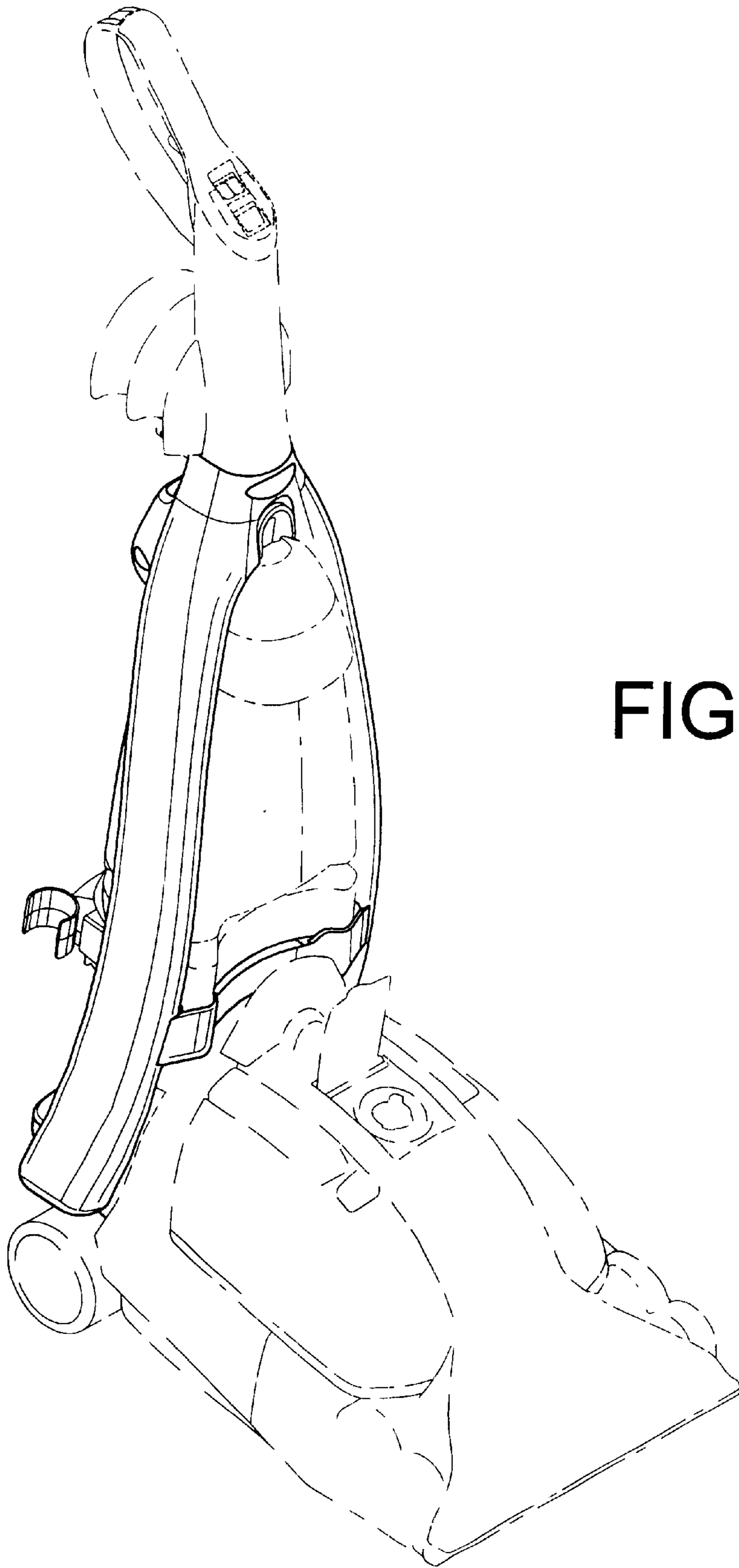
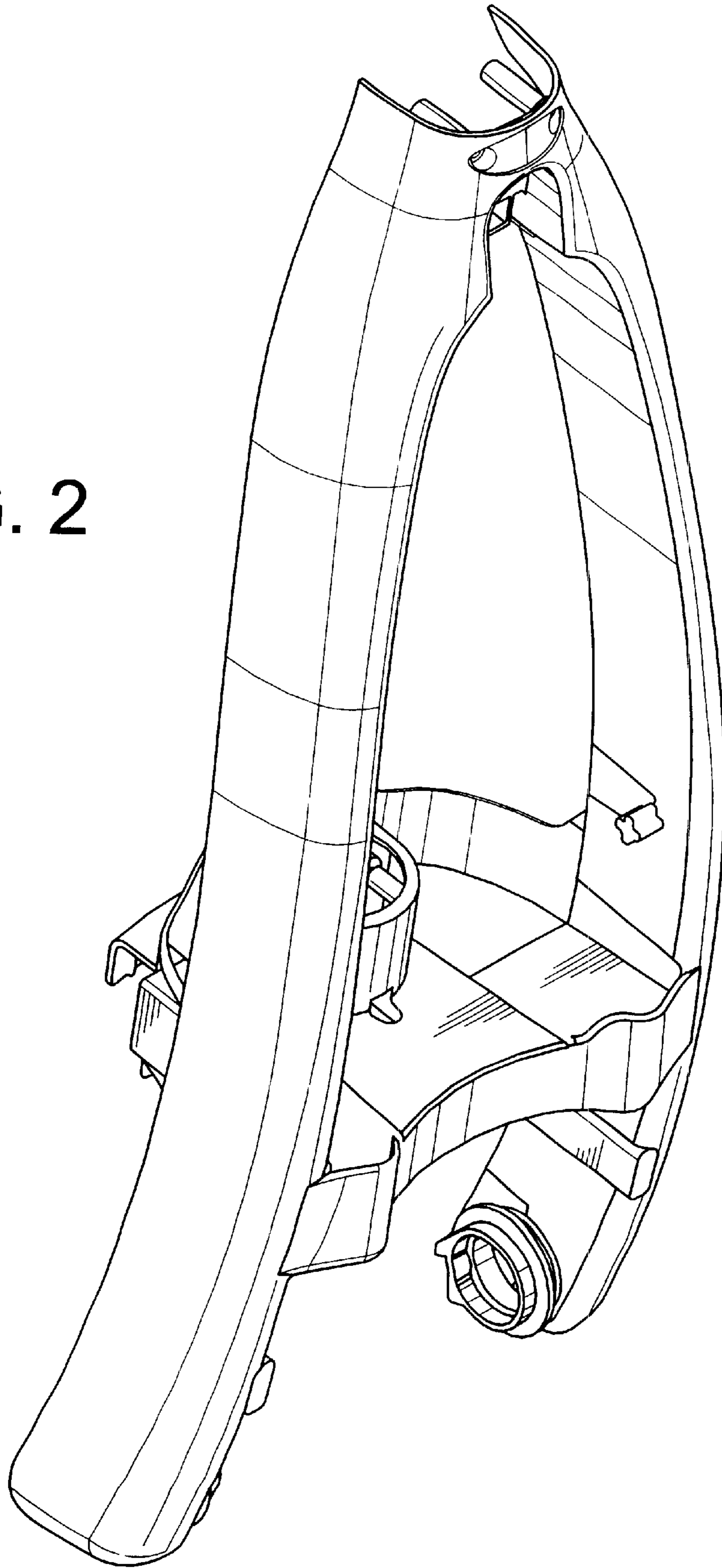


FIG. 1

FIG. 2



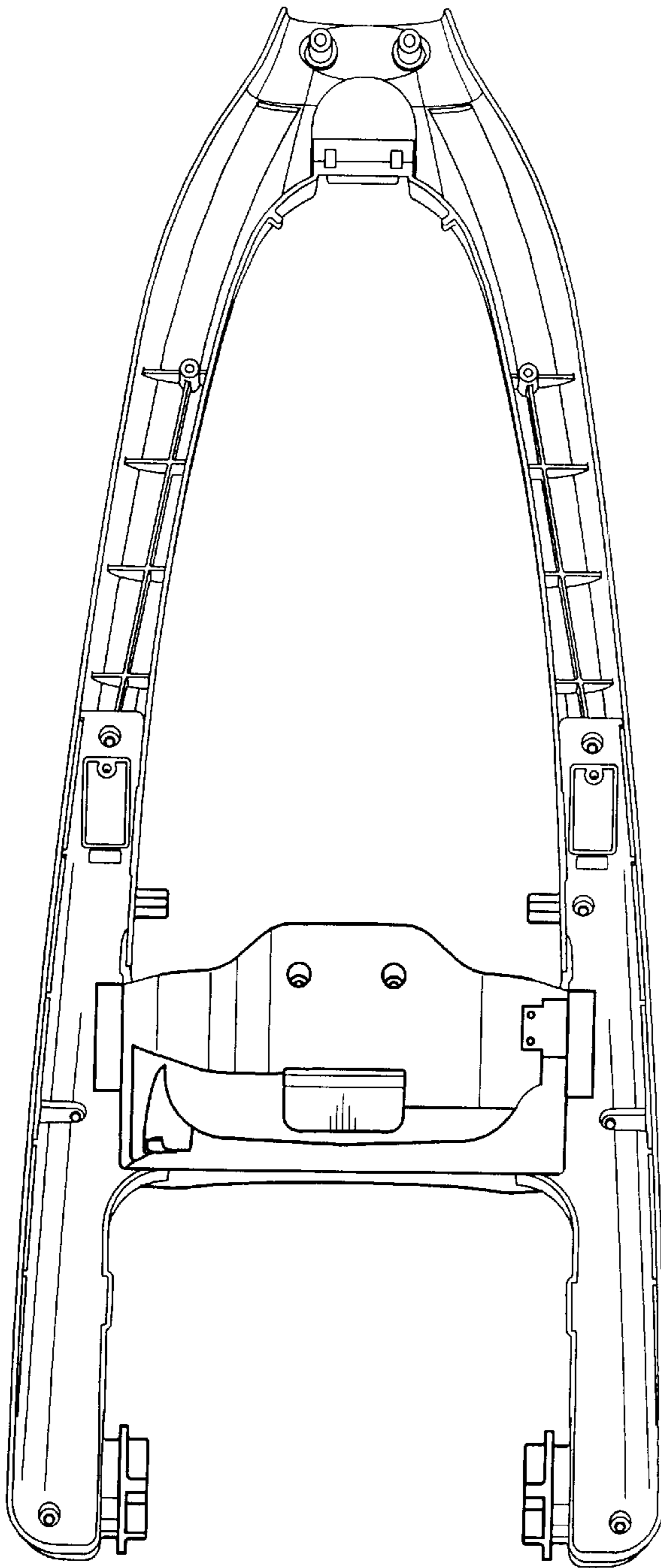


FIG. 3

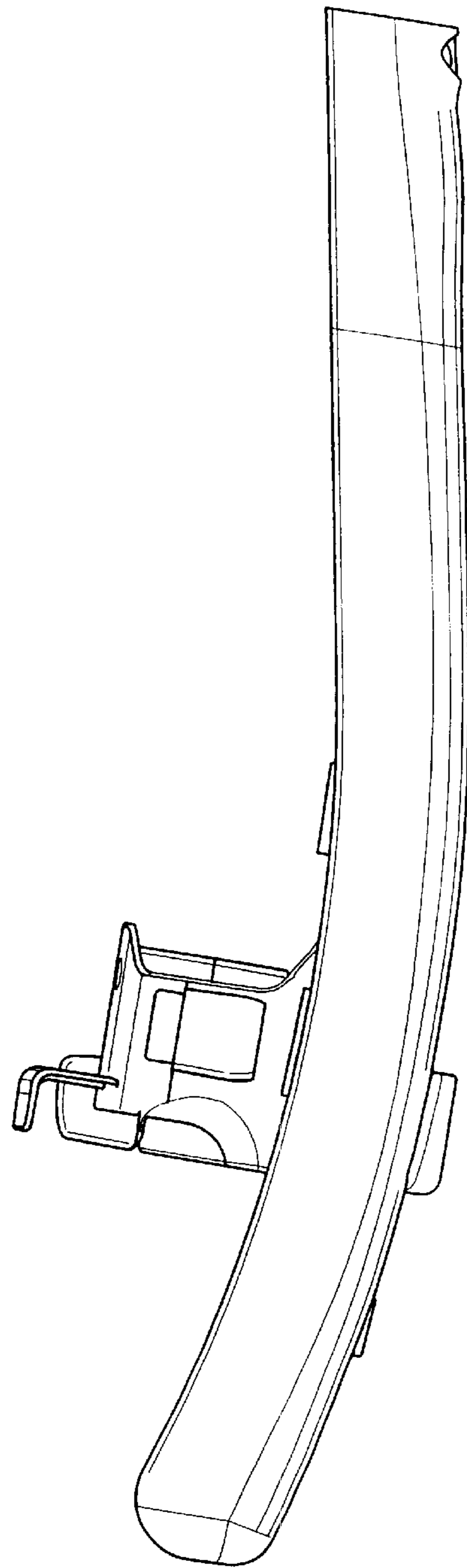


FIG. 4

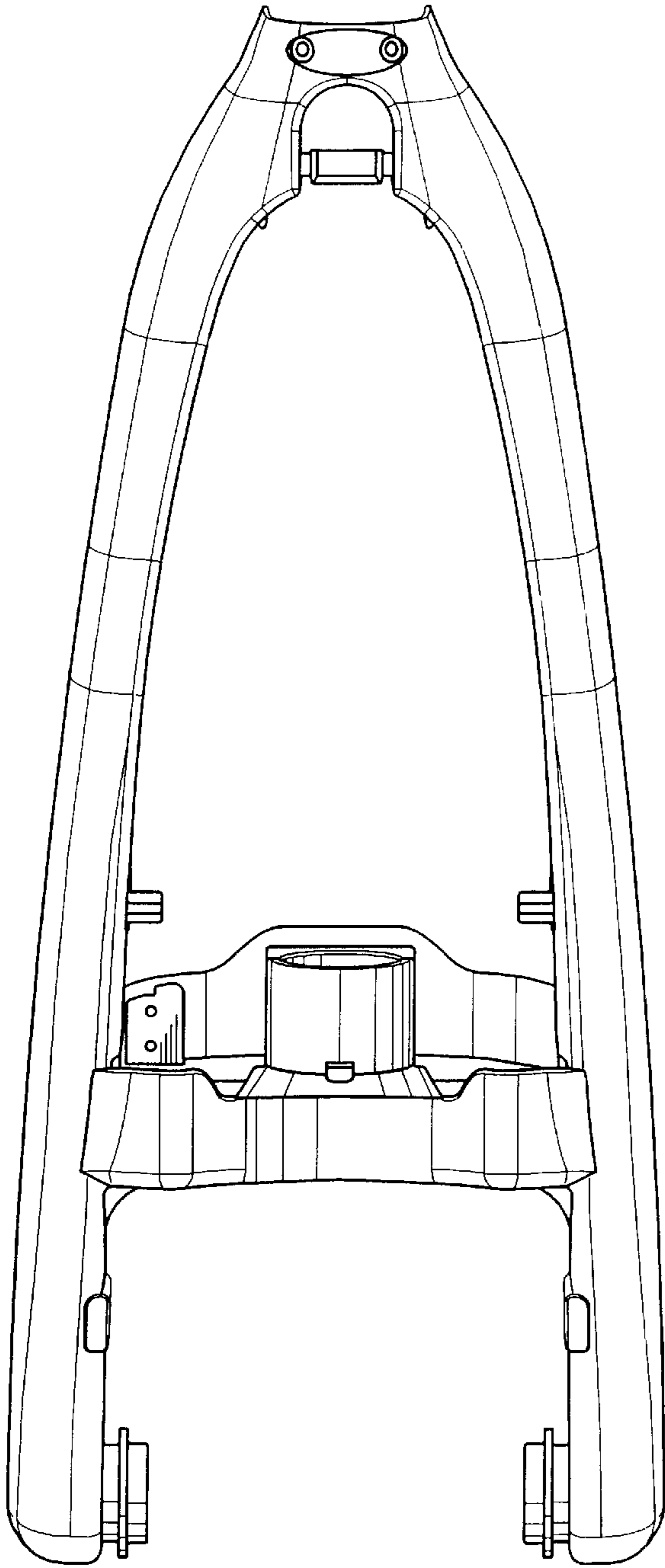


FIG. 5

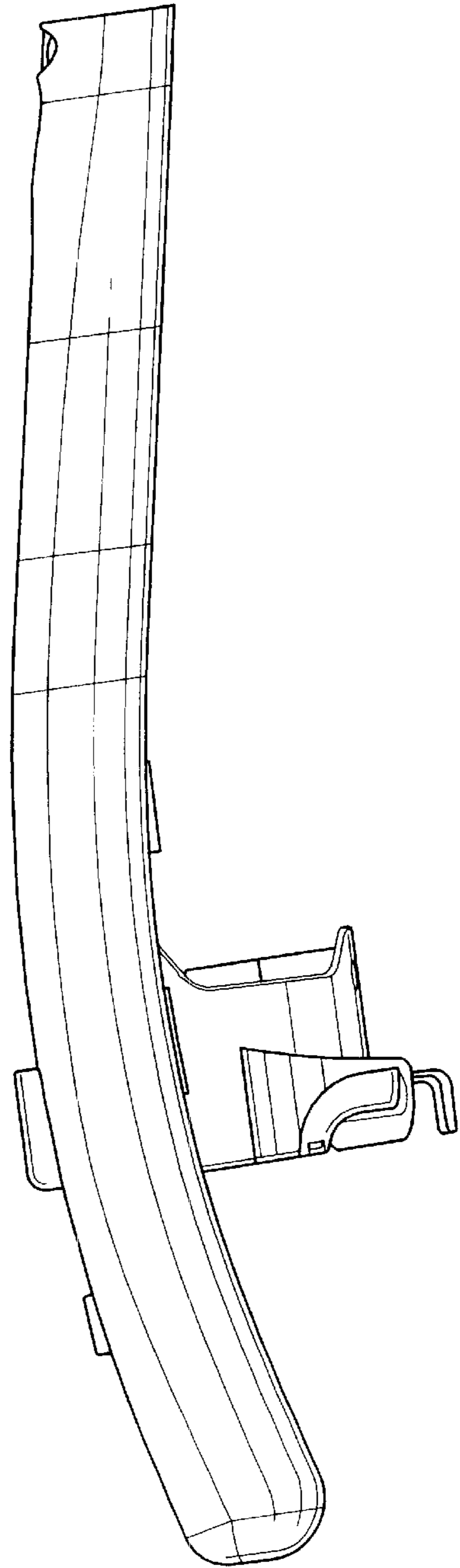


FIG. 6

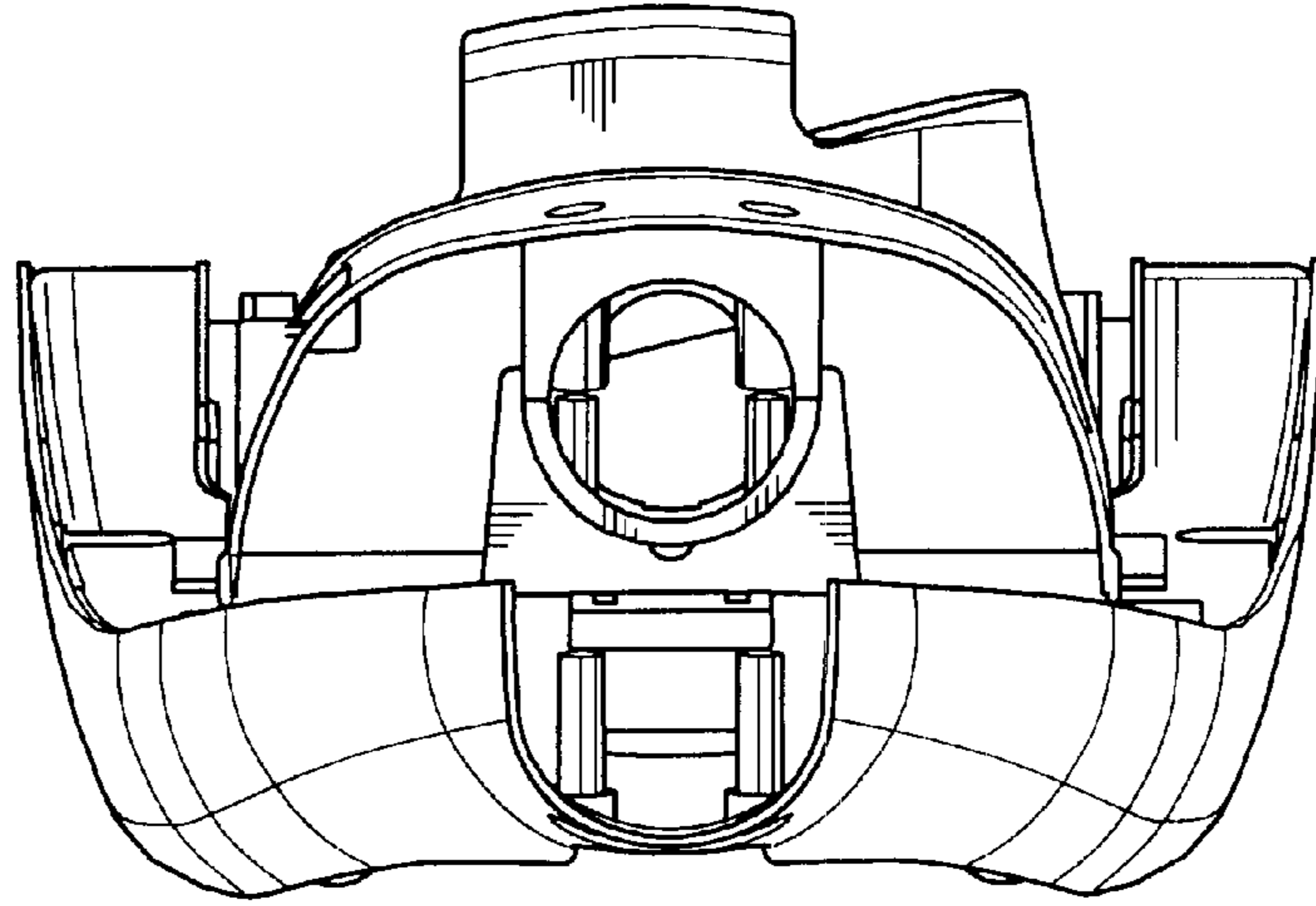


FIG. 7

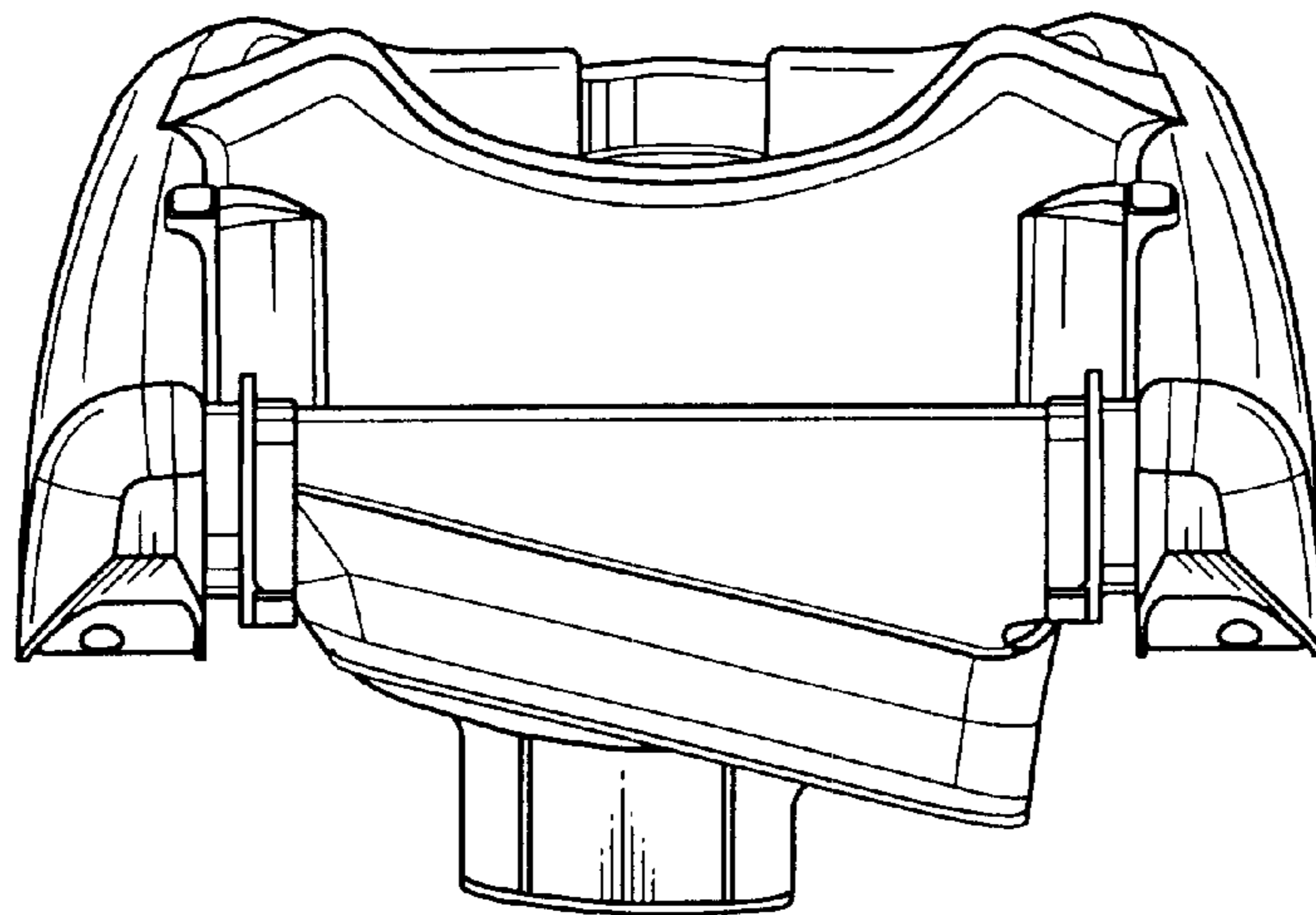


FIG. 8