



US00D460225S

(12) **United States Design Patent**
Cunningham

(10) **Patent No.:** **US D460,225 S**

(45) **Date of Patent:** **** Jul. 9, 2002**

(54) **FOUR-POINT ROLL BAR ASSEMBLY AND TANDEM FRONT WHEEL ASSEMBLY FOR A STREET SWEEPER**

(75) Inventor: **John Paul Cunningham**, Hurricane, WV (US)

(73) Assignee: **The Terramite Corporation**, Charleston, WV (US)

(**) Term: **14 Years**

(21) Appl. No.: **29/134,688**

(22) Filed: **Dec. 28, 2000**

(51) **LOC (7) Cl.** **15-05**

(52) **U.S. Cl.** **D32/4; D32/15; D32/25**

(58) **Field of Search** **D32/4, 15, 16, D32/19, 20, 25; D12/14, 15, 222; 15/78, 79.1, 79.2, 80-87; 280/756; 296/77.1, 102; 187/222**

(56) **References Cited**

U.S. PATENT DOCUMENTS

2,785,002	A	*	3/1957	Shumaker	280/756	X
3,985,386	A	*	10/1976	Woods	296/102	
D246,106	S	*	10/1977	Russell	D32/16	
D262,790	S	*	1/1982	Bernier	D12/222	
4,811,442	A	*	3/1989	Barker	15/82	
D317,276	S	*	6/1991	Sousek	D12/14	
5,174,622	A	*	12/1992	Gutta	296/77.1	
5,280,955	A	*	1/1994	Nelson et al.	280/756	
5,881,842	A	*	3/1999	Kikukawa	187/222	
6,016,584	A	*	1/2000	Melroe	15/78	
D442,972	S	*	5/2001	Wolf	D15/15	

OTHER PUBLICATIONS

Terramite Corporation, "Compact Towable Street Sweepers", 2 pages.

Broce Broom, "BB-250 Self Propelled Multi Purpose Sweeper", 4 pages.

Lay-Mor, Built to Rent, "Ride-On" 2 pages, Aug. 14, 2000.

* cited by examiner

Primary Examiner—Martie K. Holtje

(74) *Attorney, Agent, or Firm*—Sughrue Mion, PLLC

(57) **CLAIM**

The ornamental design for a four-point roll bar assembly and tandem front wheel assembly for a street sweeper, as shown and described.

DESCRIPTION

FIG. 1 is perspective view of the top and one side showing the four-point roll bar assembly and the tandem front wheel assembly for a street sweeper according to my new design; FIG. 2 is a perspective view of the top and another side thereof;

FIG. 3 is a perspective view of the top, the front, and said another side thereof;

FIG. 4 is a perspective view of the top, the rear, and said one side thereof;

FIG. 5 is a top view of the four-point roll bar assembly shown separately for ease of illustration;

FIG. 6 is a side elevational view of FIG. 5; and,

FIG. 7 is a front elevational view of the tandem front wheel assembly shown separately for ease of illustration.

The structural elements depicted by means of broken lines in FIGS. 1 through 4 have been shown for environmental purposes only and form no part of the claimed design.

1 Claim, 5 Drawing Sheets

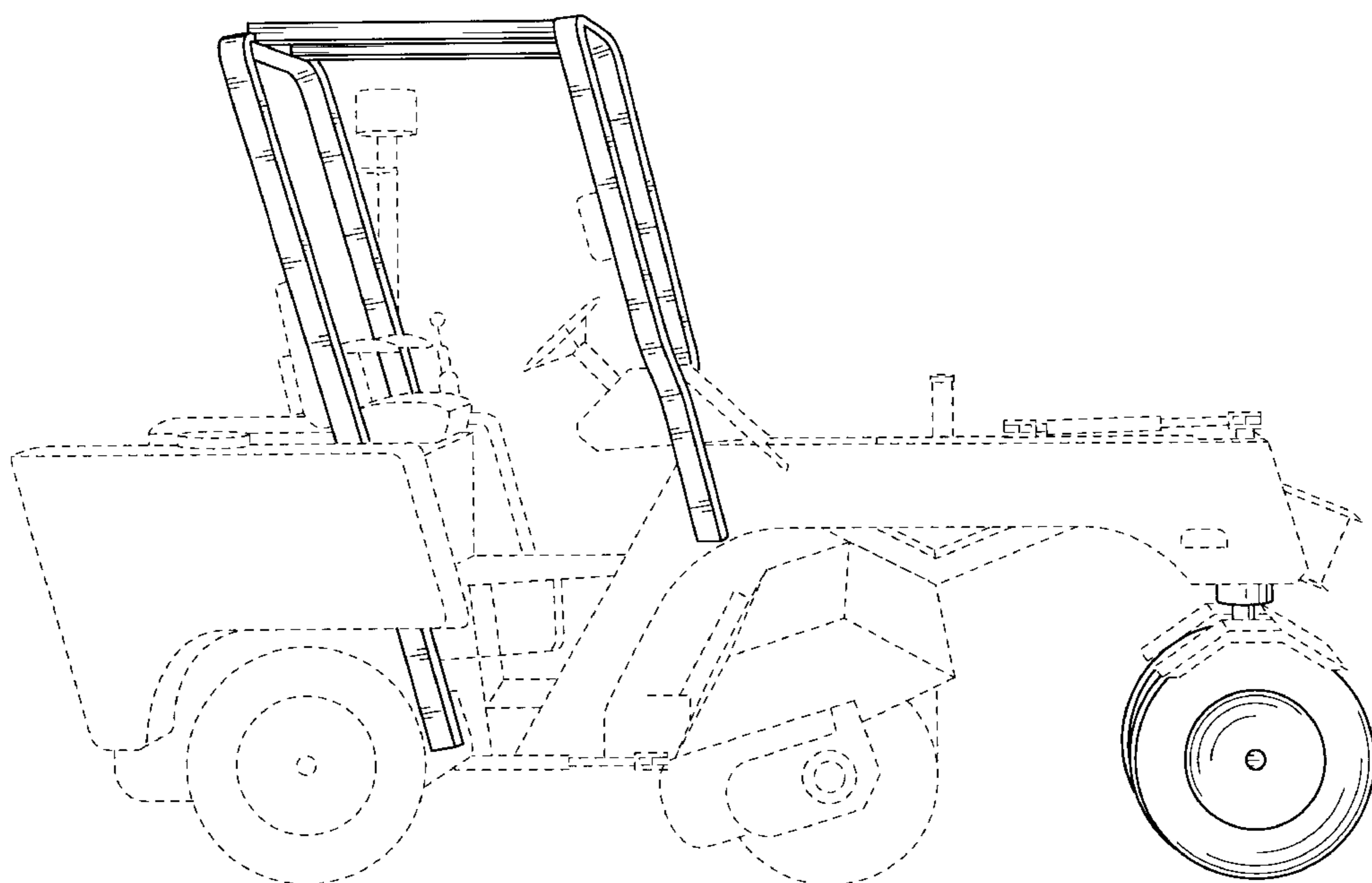
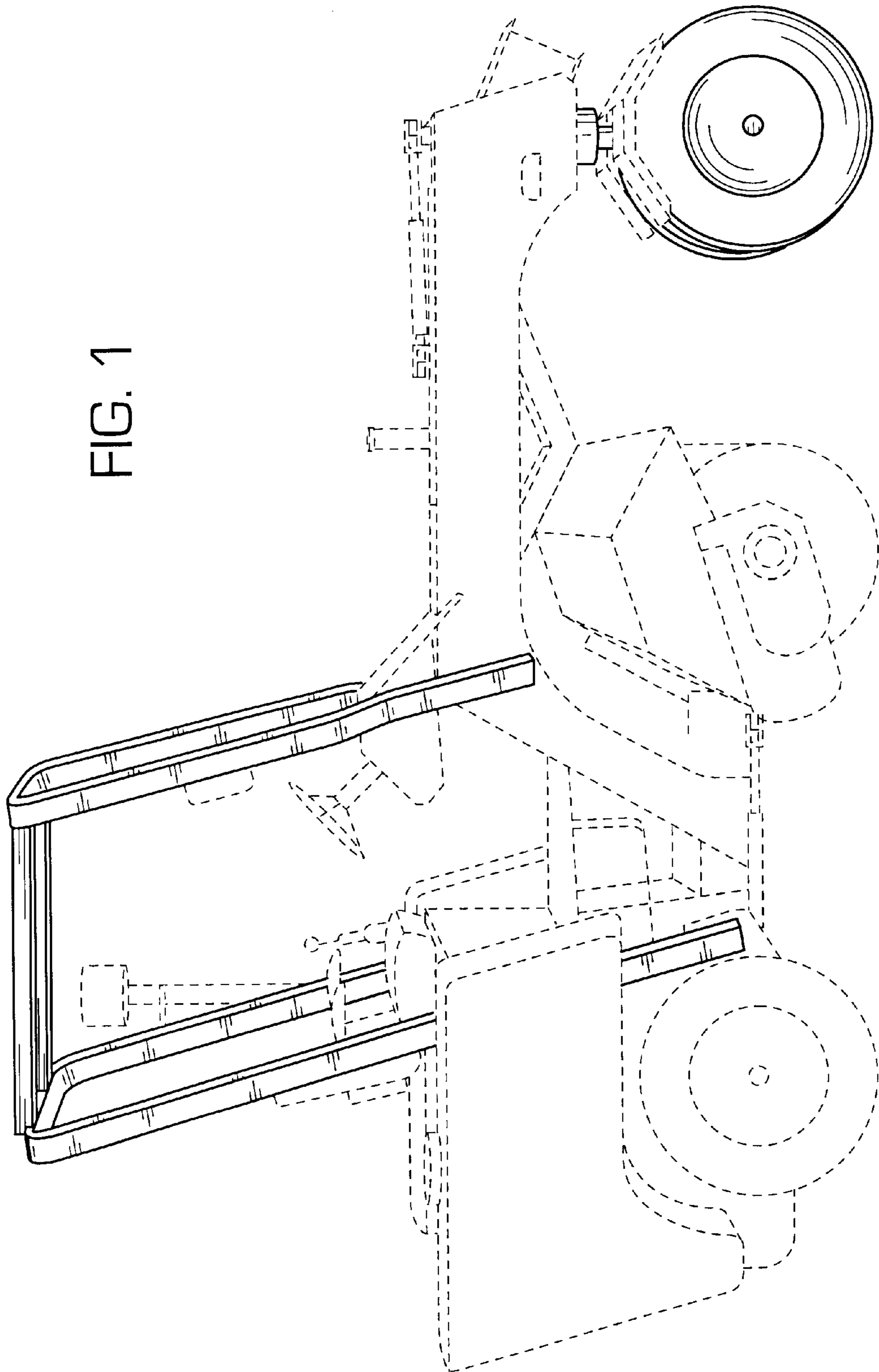


FIG. 1



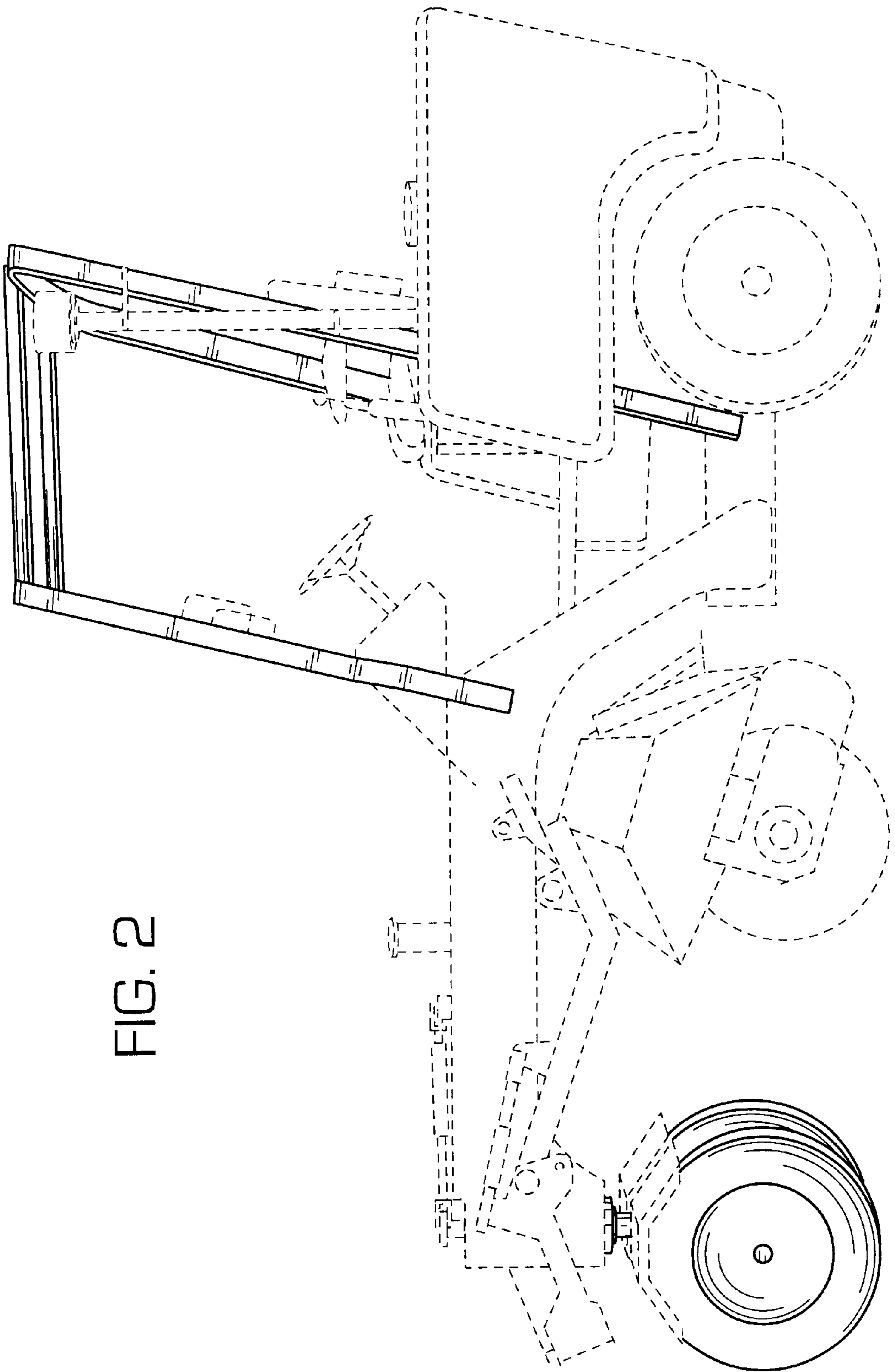


FIG. 2

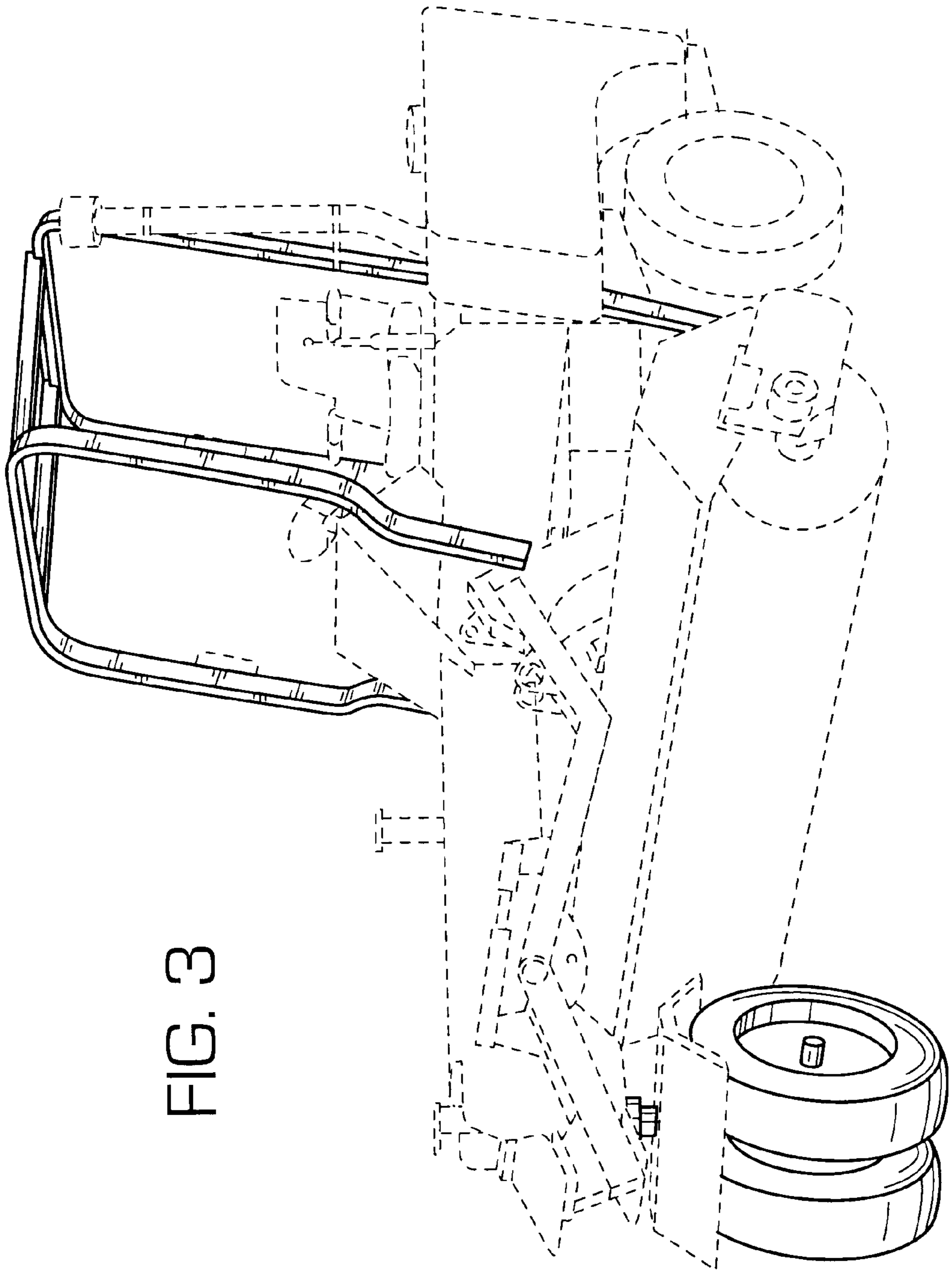


FIG. 3

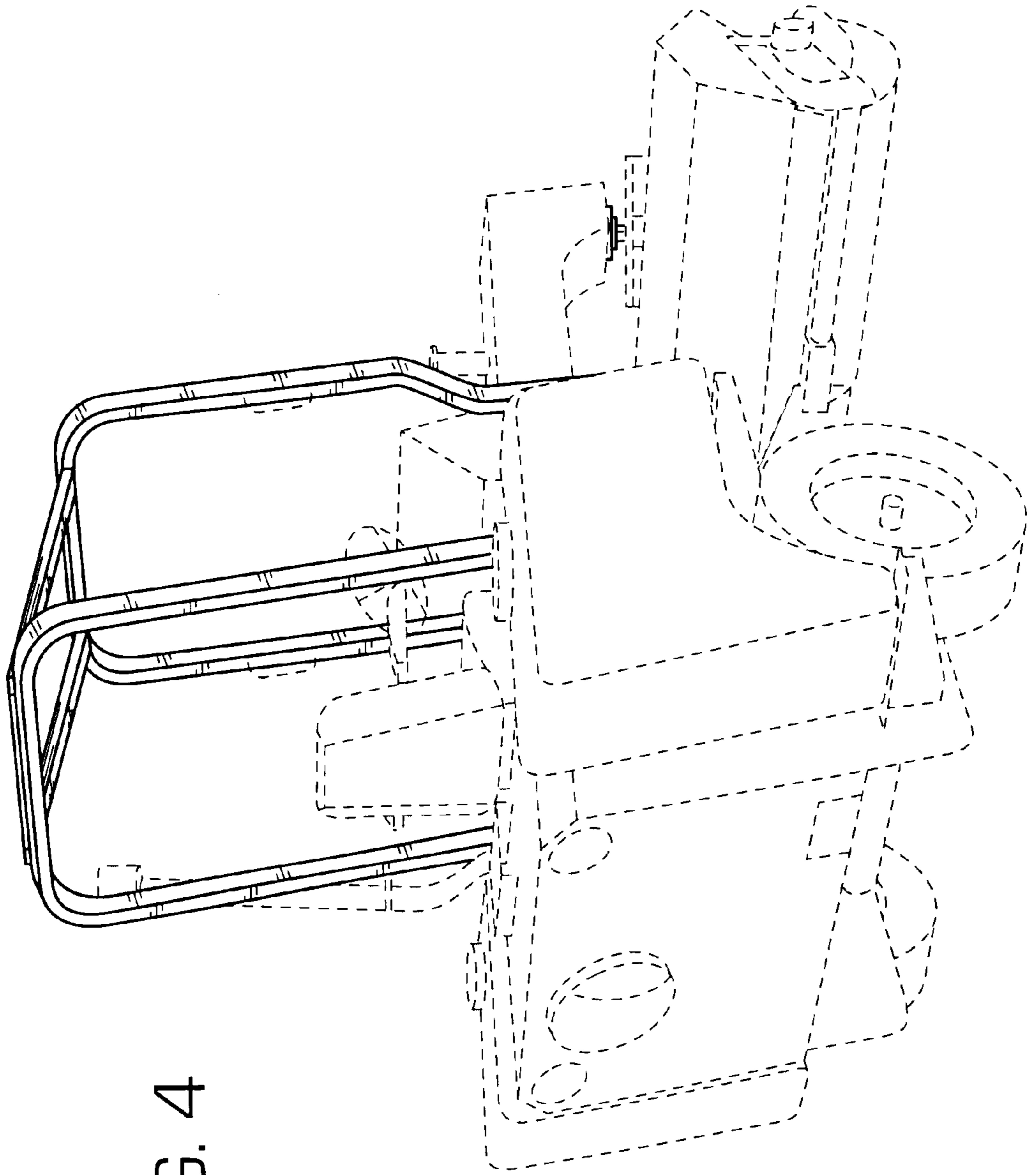


FIG. 4

FIG. 5

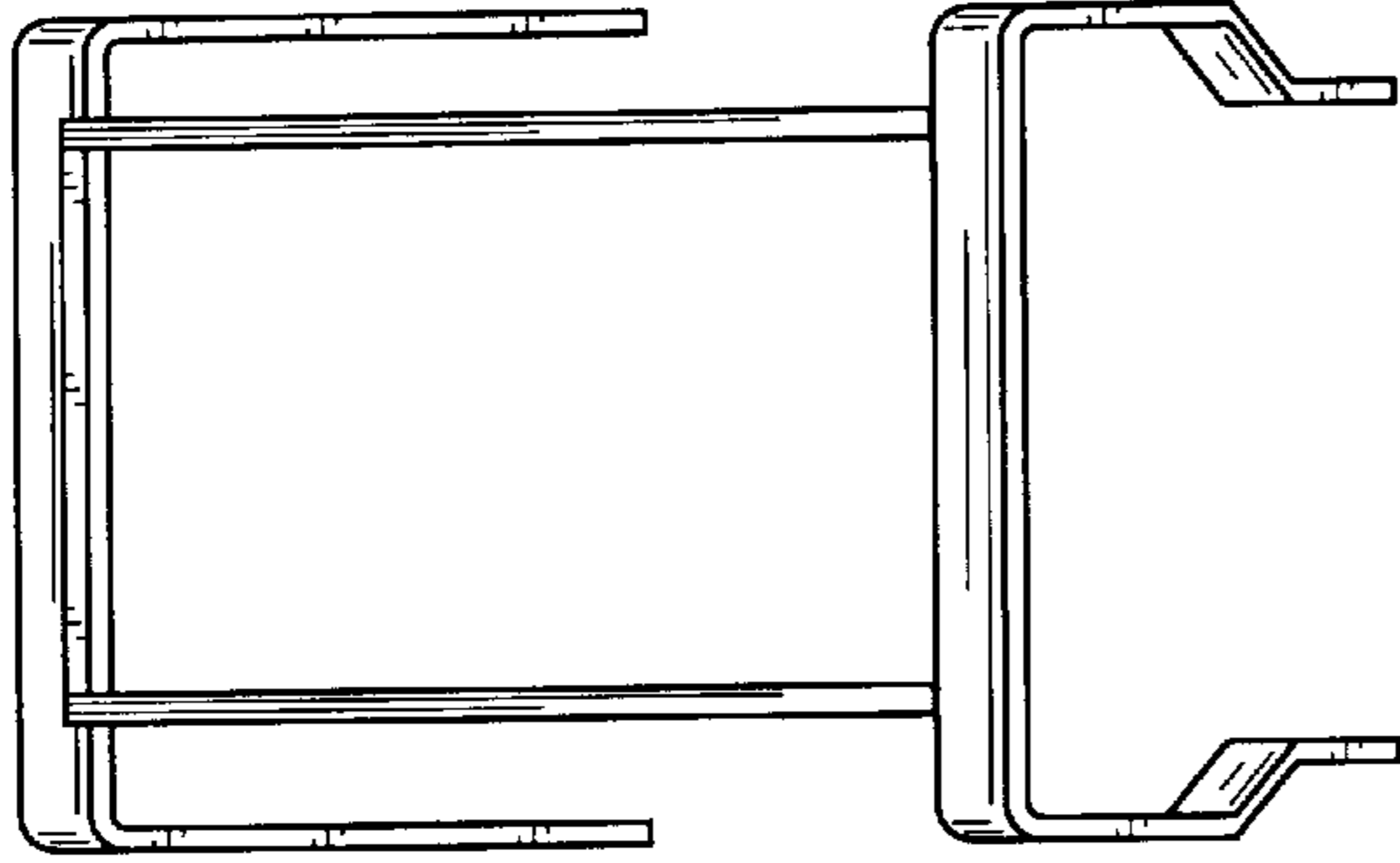


FIG. 6

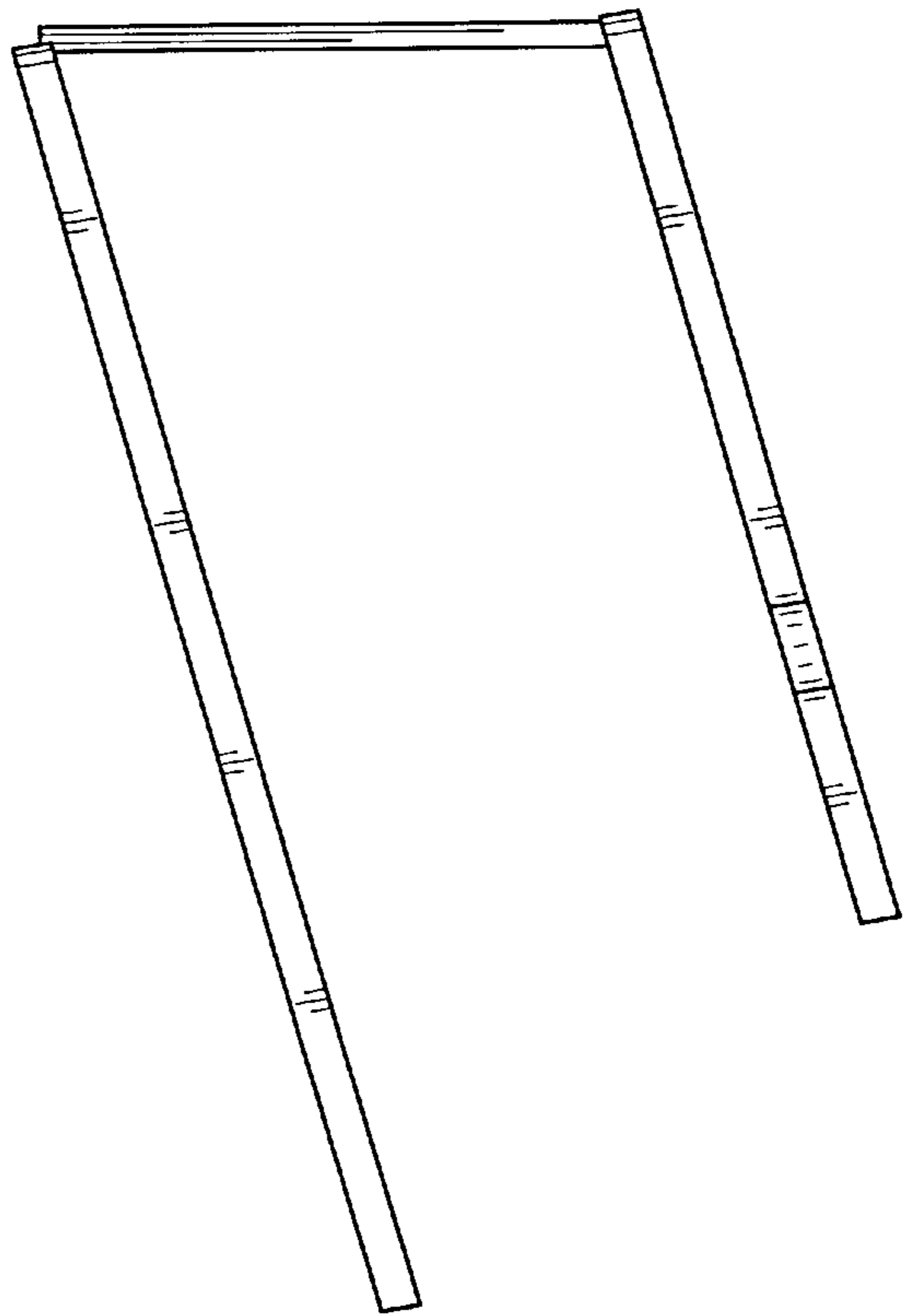


FIG. 7

