



US00D460224S

(12) **United States Design Patent**
Richardson

(10) **Patent No.:** **US D460,224 S**

(45) **Date of Patent:** **** Jul. 9, 2002**

(54) **FRONT OF A DISHWASHER**

(75) Inventor: **Jon Keith Richardson**, Dunedin (NZ)

(73) Assignee: **Fisher & Paykel Limited**, Auckland (NZ)

(**) Term: **14 Years**

(21) Appl. No.: **29/130,838**

(22) Filed: **Oct. 10, 2000**

(30) **Foreign Application Priority Data**

Apr. 10, 2000 (NZ) 400645

(51) **LOC (7) Cl.** **15-05**

(52) **U.S. Cl.** **D32/2**

(58) **Field of Search** D32/1-3; 134/135,
134/200; 312/108, 109

(56) **References Cited**

U.S. PATENT DOCUMENTS

D159,047 S	*	6/1950	Corbett	D32/2
3,279,481 A		10/1966	Sones et al.		
D377,853 S		2/1997	Sparks		
D400,320 S		10/1998	Brace		
D403,471 S		12/1998	Brace		
D418,952 S		1/2000	Roberts		
D424,257 S		5/2000	Umeda et al.		
D438,677 S	*	3/2001	Roberts	D32/3

* cited by examiner

Primary Examiner—Mitchell Siegel
(74) *Attorney, Agent, or Firm*—Trexler, Bushnell, Giangiorgi, Blackstone & Marr, Ltd.

(57) **CLAIM**

The ornamental design for a front of a dishwasher, as shown and described in FIGS. 1-4.

DESCRIPTION

FIG. 1 is a perspective view of a front of a dishwasher according to a first embodiment of my design;

FIG. 2 is a right side elevational view of the front of the dishwasher according to the first embodiment;

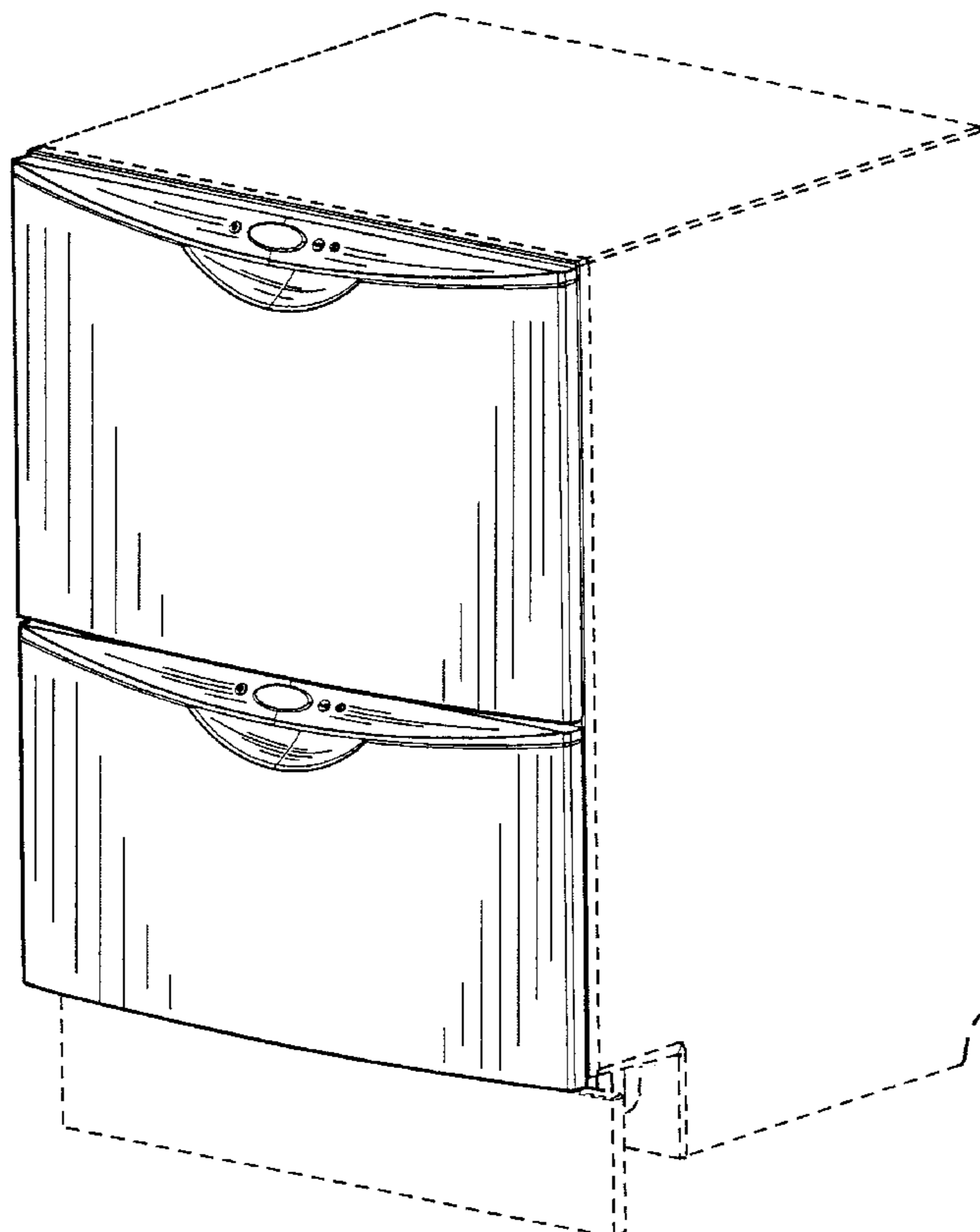
FIG. 3 is a top plan view of the front of the dishwasher according to the first embodiment; and,

FIG. 4 is a bottom plan view of the front of the dishwasher according to the first embodiment.

While FIG. 2 illustrates the right side elevational view of the front of the dishwasher according to the first embodiment, the left side elevational view of the front of the dishwasher according to the first embodiment would be the mirror image.

In each of the Figures, the front of the dishwasher is shown positioned on a broken line representation of a dishwasher which is for illustrative purposes only and forms no portion of the claimed invention.

1 Claim, 4 Drawing Sheets



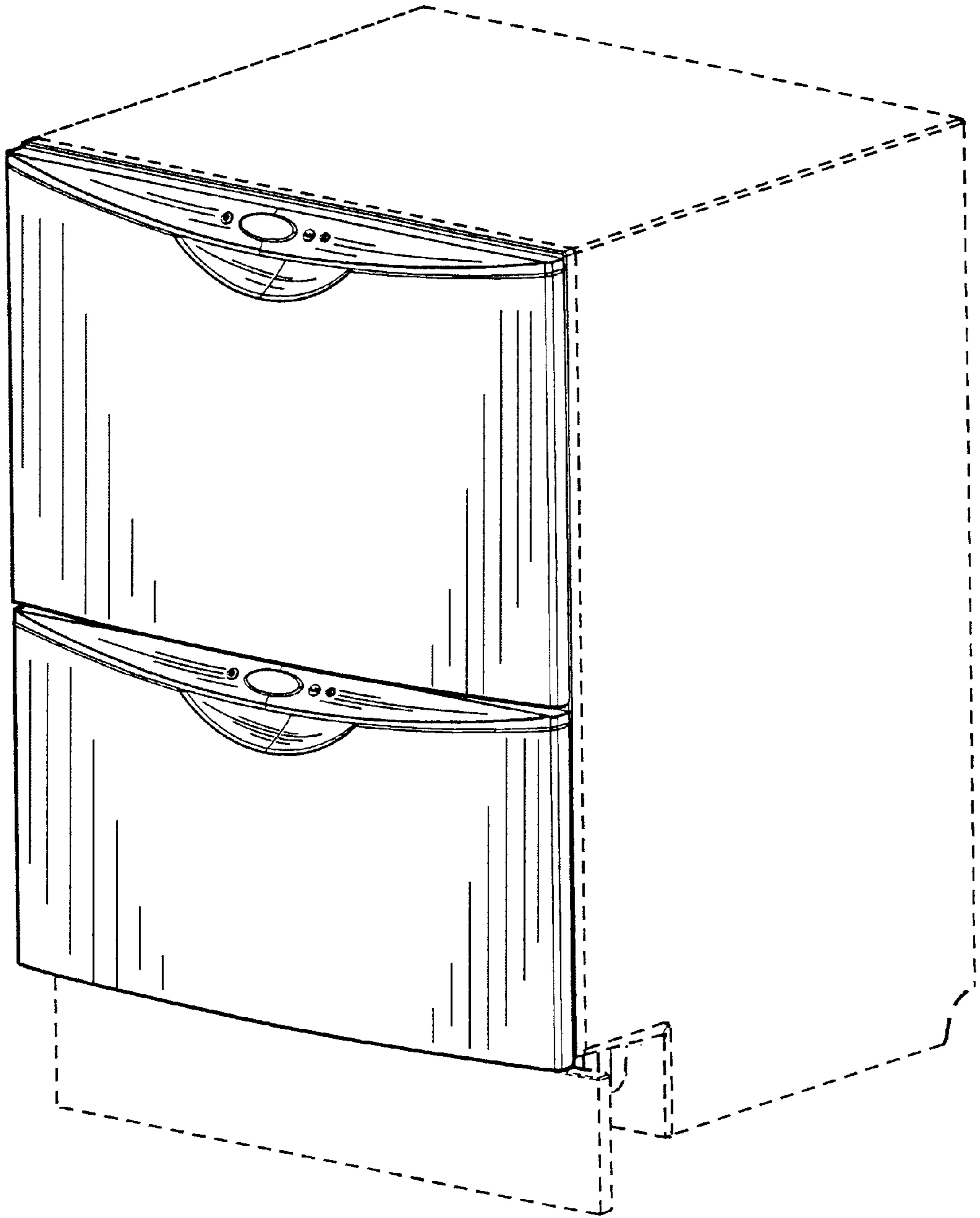


FIGURE 1

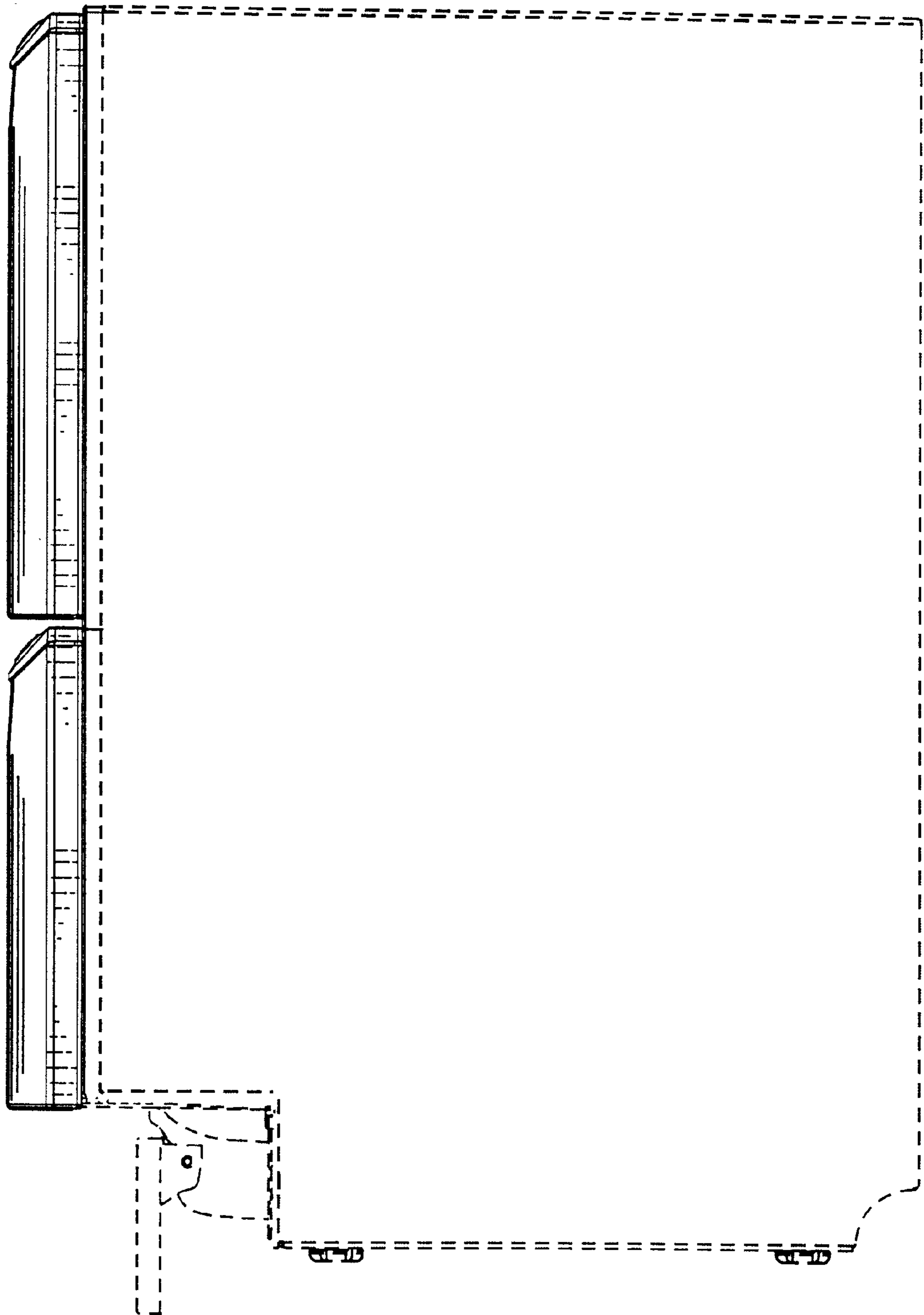


FIGURE 2

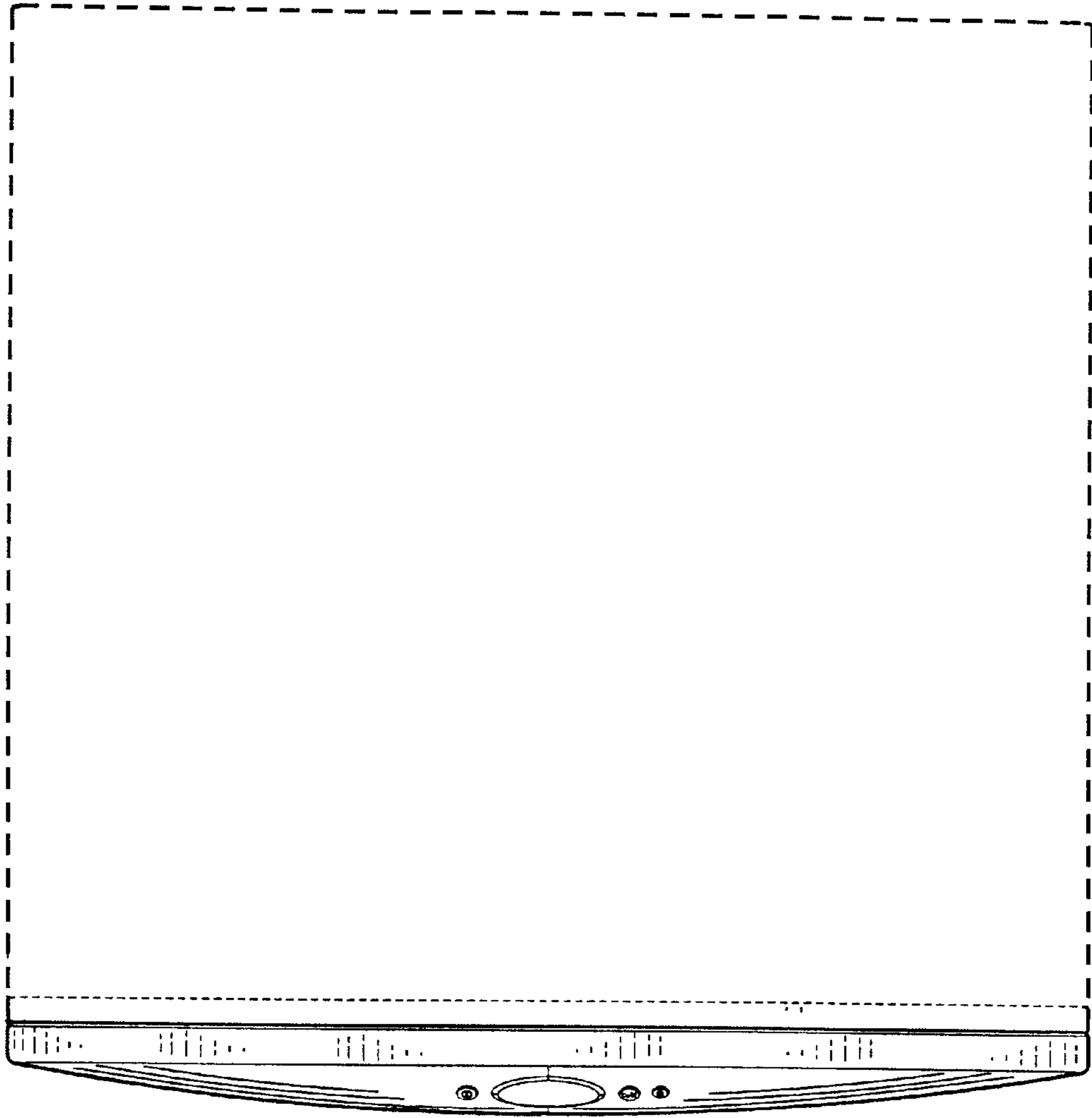


FIGURE 3

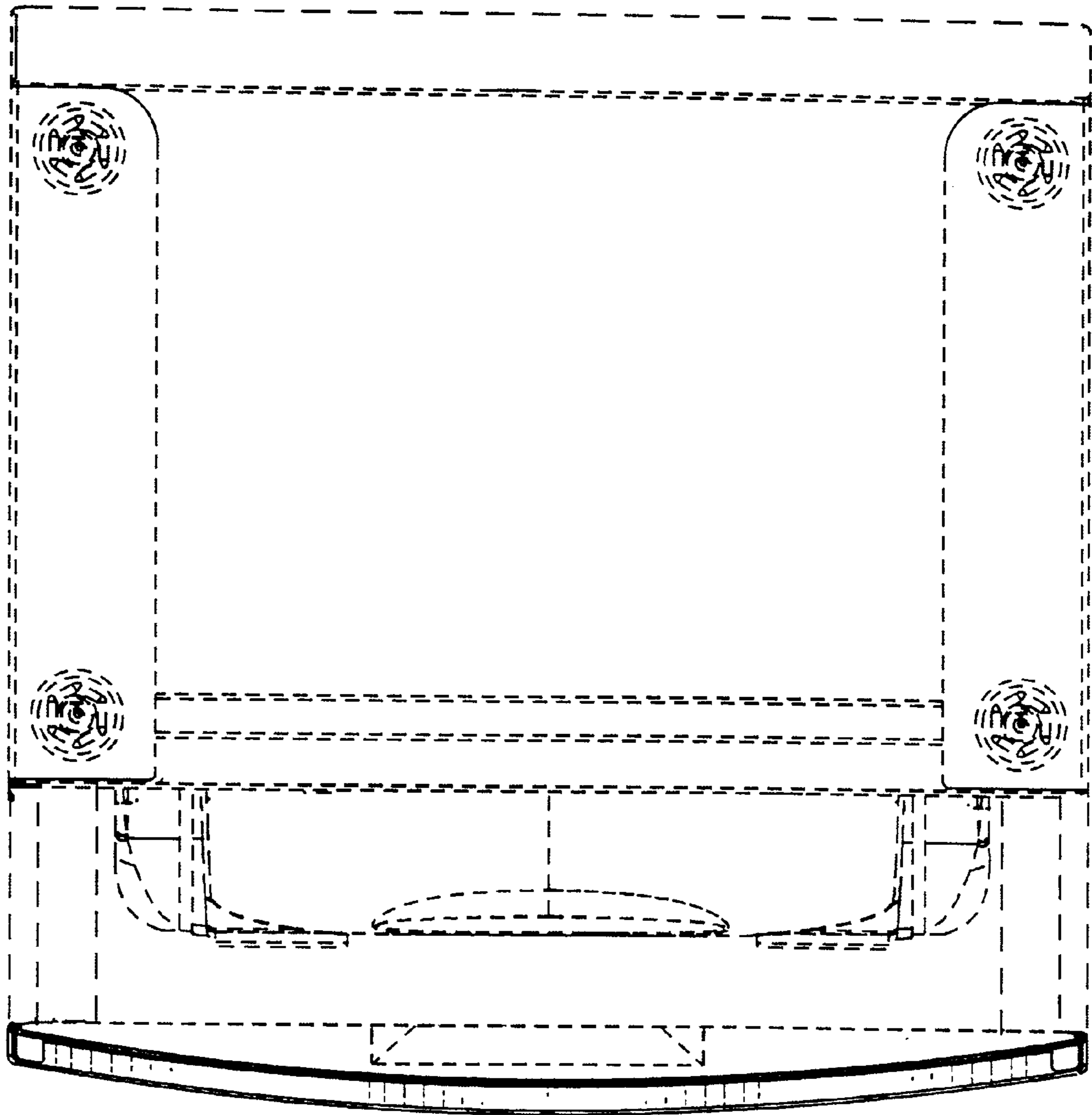


FIGURE 4