



US00D460223S

(12) **United States Design Patent**  
**Daniels**

(10) **Patent No.:** **US D460,223 S**

(45) **Date of Patent:** **\*\* Jul. 9, 2002**

(54) **DISPOSABLE COLLECTION DEVICE**

(76) **Inventor:** **Charles M. Daniels**, 72 Clearview Dr.,  
Pittsford, NY (US) 14534

(\*\*) **Term:** **14 Years**

(21) **Appl. No.:** **29/136,090**

(22) **Filed:** **Jan. 25, 2001**

(51) **LOC (7) Cl.** ..... **30-99**

(52) **U.S. Cl.** ..... **D30/162**

(58) **Field of Search** ..... 206/278, 279;  
294/1.1, 1.3, 7, 49, 55, 54.5; 15/257.1,  
257.3, 257.4; 224/674, 236, 240; 119/651,  
867, 858; D8/10; D7/691; D32/35, 74;  
D30/162

(56) **References Cited**

**U.S. PATENT DOCUMENTS**

3,739,418	A	*	6/1973	Yonaites et al.	.....	294/1.3
3,813,121	A	*	5/1974	Marvin	.....	294/1.3
3,850,467	A	*	11/1974	Johnson	.....	294/1.3
3,978,540	A	*	9/1976	Peck et al.	.....	294/1.3
4,252,356	A	*	2/1981	Tokuzumi	.....	294/1.3
4,530,533	A	*	7/1985	Dieter	.....	294/1.1
4,741,565	A	*	5/1988	Bagg	.....	D30/162
5,222,777	A	*	6/1993	Clonch	.....	294/1.3
5,282,660	A	*	2/1994	Halling	.....	294/1.3

5,358,295	A	*	10/1994	Campbell	.....	294/1.3
5,438,708	A	*	8/1995	Jacovitz	.....	2/159
5,564,762	A	*	10/1996	Ring	.....	294/1.3
5,579,812	A	*	12/1996	Bigwood	.....	294/55
D378,537	S	*	3/1997	Kamark	.....	D30/162
5,725,268	A	*	3/1998	Besasie et al.	.....	294/1.3
5,836,629	A	*	11/1998	Hobart	.....	294/1.3
6,059,333	A	*	5/2000	De Toma	.....	294/1.3
6,102,457	A	*	8/2000	Smith	.....	294/1.3
6,116,668	A	*	9/2000	Carpol	.....	294/1.3
6,126,215	A	*	10/2000	Jahns	.....	294/1.3
D436,236	S	*	1/2001	Boyd et al.	.....	D30/162
6,237,971	B1	*	5/2001	Ward Gilley	.....	294/1.3

\* cited by examiner

*Primary Examiner*—Cathy Anne MacCormac

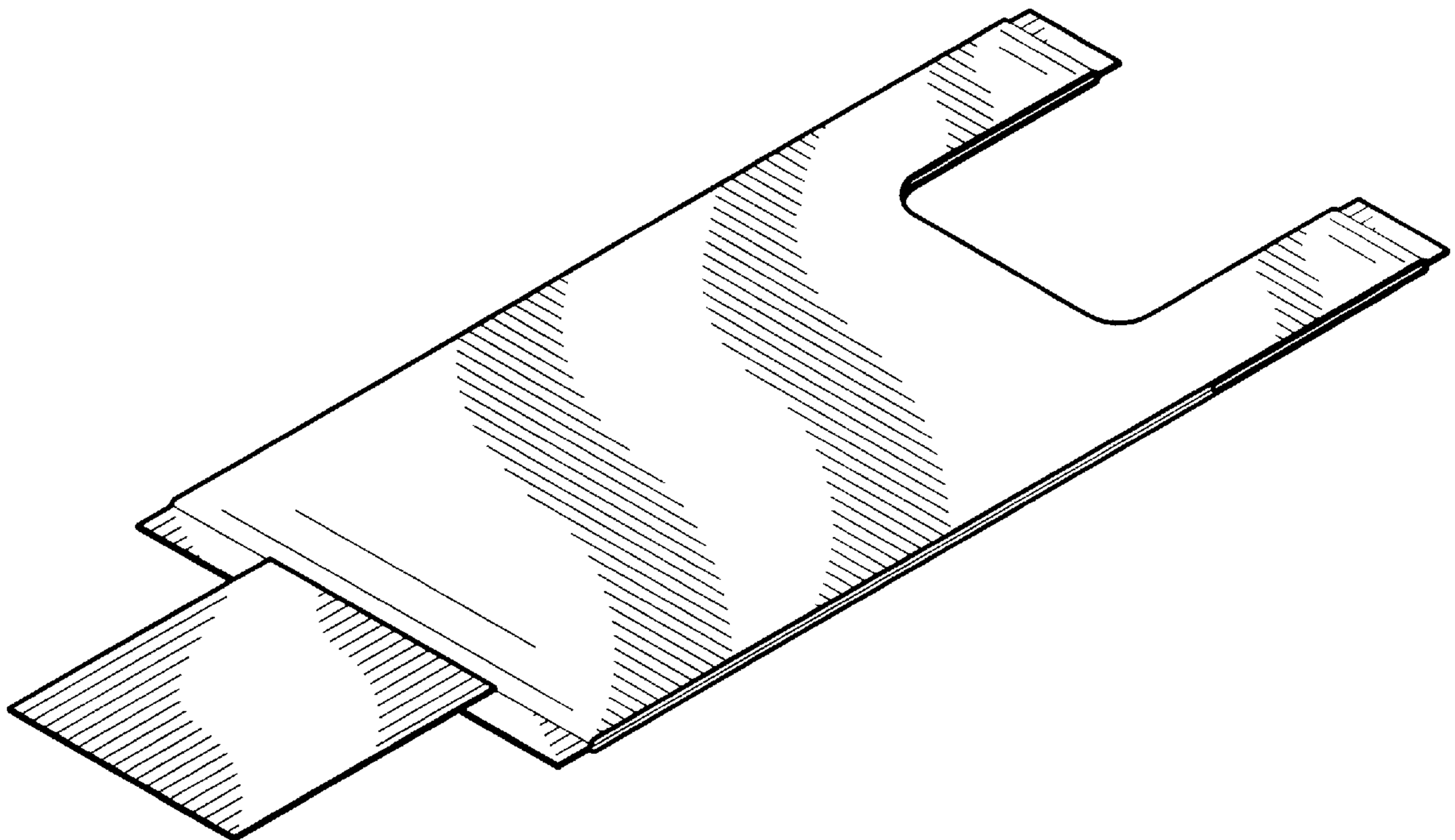
(57) **CLAIM**

The ornamental design for a disposable collection device, as shown and described.

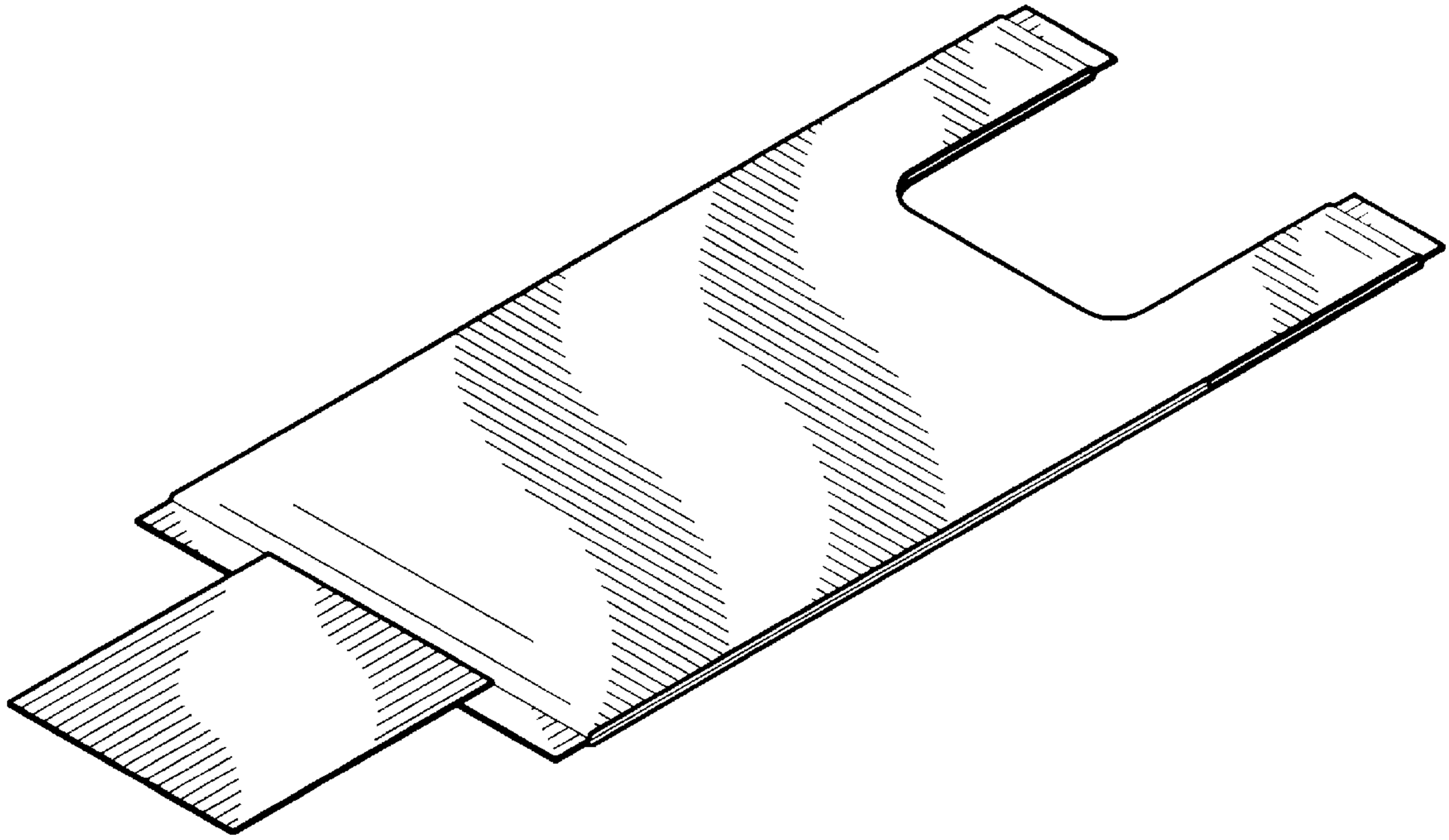
**DESCRIPTION**

FIG. 1 is a perspective view, of the claimed design;  
FIG. 2 is a top plan view thereof;  
FIG. 3 is a side elevation view thereof;  
FIG. 4 is a bottom plan view thereof;  
FIG. 5 is a front elevation view thereof; and,  
FIG. 6 is a rear elevation view thereof.

**1 Claim, 2 Drawing Sheets**



*FIG. 1*



*FIG. 5*



*FIG. 6*



FIG. 4

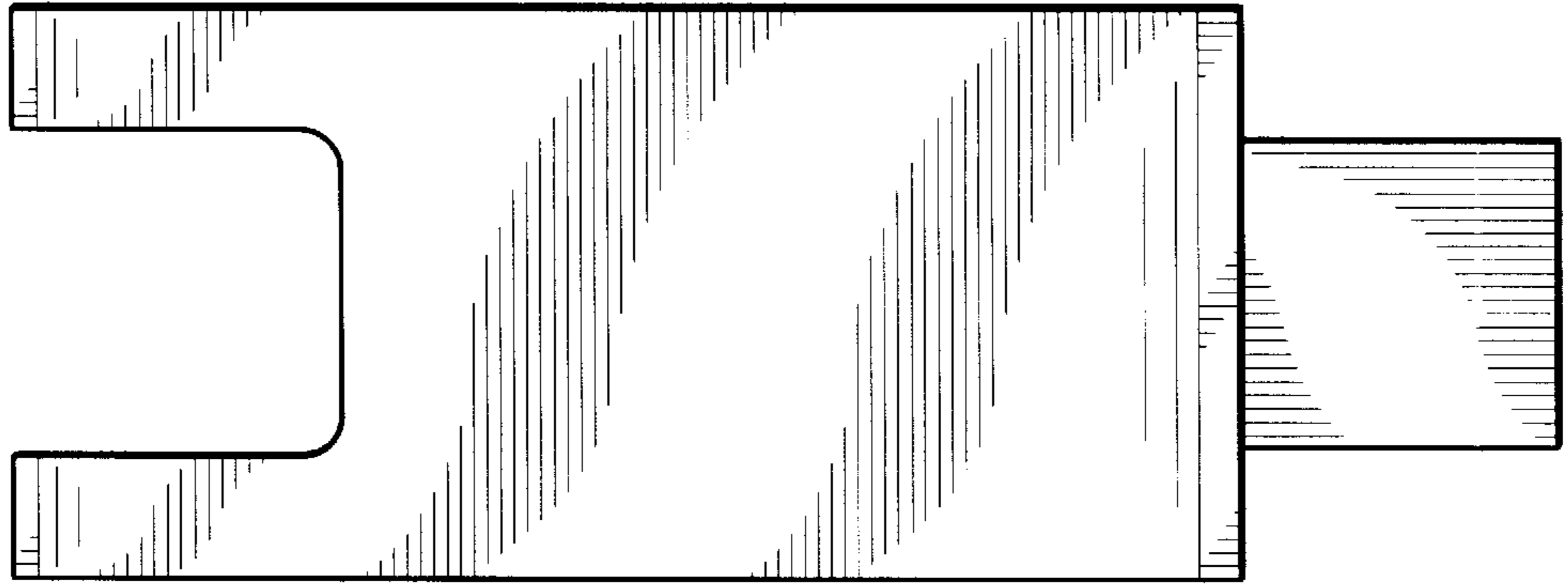


FIG. 3

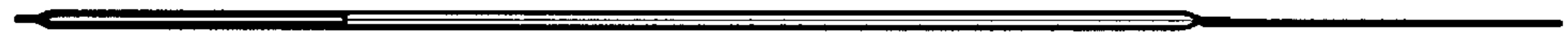


FIG. 2

