



US00D460218S

(12) **United States Design Patent**
Thorpe

(10) **Patent No.:** **US D460,218 S**

(45) **Date of Patent:** **** Jul. 9, 2002**

(54) **MAKE-UP COMPACT CASE**

(75) **Inventor:** **Richard Christopher Martin Thorpe,**
Kent (GB)

(73) **Assignee:** **Make-Up Art Cosmetics Limited,**
Toronto (CA)

(**) **Term:** **14 Years**

(21) **Appl. No.:** **29/140,537**

(22) **Filed:** **Apr. 19, 2001**

Related U.S. Application Data

(62) Division of application No. 29/108,350, filed on Oct. 9, 1997, which is a division of application No. 29/060,844, filed on Oct. 8, 1996, now Pat. No. Des. 402,412.

(30) **Foreign Application Priority Data**

Apr. 9, 1996 (GB) 2055398
Apr. 9, 1996 (GB) 2055399
Apr. 9, 1996 (GB) 2055400

(51) **LOC (7) Cl.** **28-03**

(52) **U.S. Cl.** **D28/82**

(58) **Field of Search** D28/76-84; D9/503,
D9/504, 420; 132/293-307; 206/823, 581,
235; 220/DIG. 26

(56) **References Cited**

U.S. PATENT DOCUMENTS

1,558,964 A * 10/1925 Clark 132/306
D319,897 S * 9/1991 Bakic D28/82
D342,808 S * 12/1993 Bakic D28/82
D351,682 S * 10/1994 McIlvain D28/78
D401,017 S * 11/1998 Thorpe D28/78
D402,412 S * 12/1998 Thorpe D28/82
D408,590 S * 4/1999 Litton D28/82

D408,591 S * 4/1999 Litton et al. D28/82
5,908,037 A * 6/1999 Pierson 132/293
D412,222 S * 7/1999 Bakic D28/82
6,047,710 A * 4/2000 Irving et al. 132/293
D424,752 S * 5/2000 Thorpe D28/82

FOREIGN PATENT DOCUMENTS

GB 2055400 * 4/1996

* cited by examiner

Primary Examiner—Ted Shooman

Assistant Examiner—C Tuttle

(74) *Attorney, Agent, or Firm*—Fulbright & Jaworski,
L.L.P.

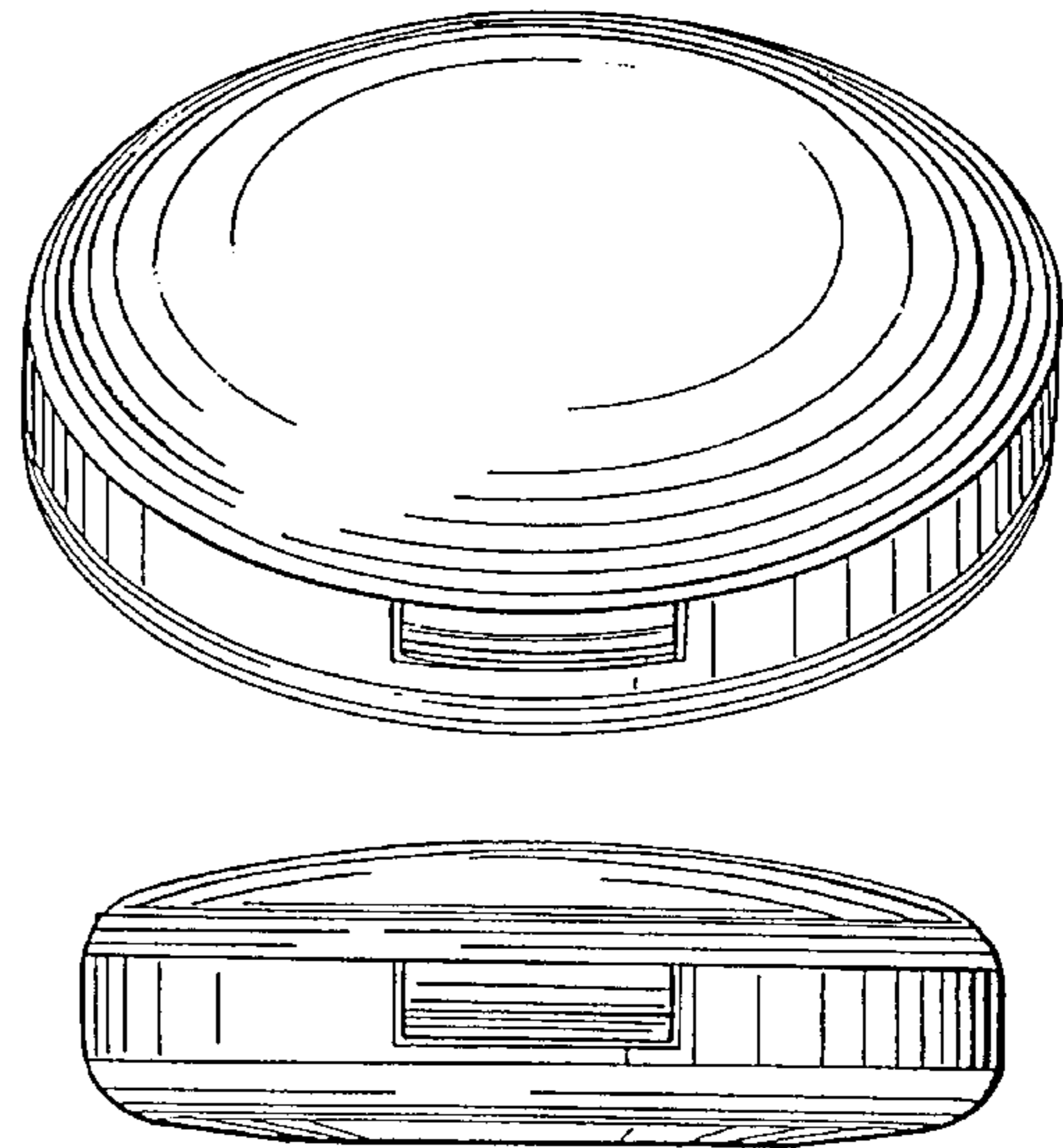
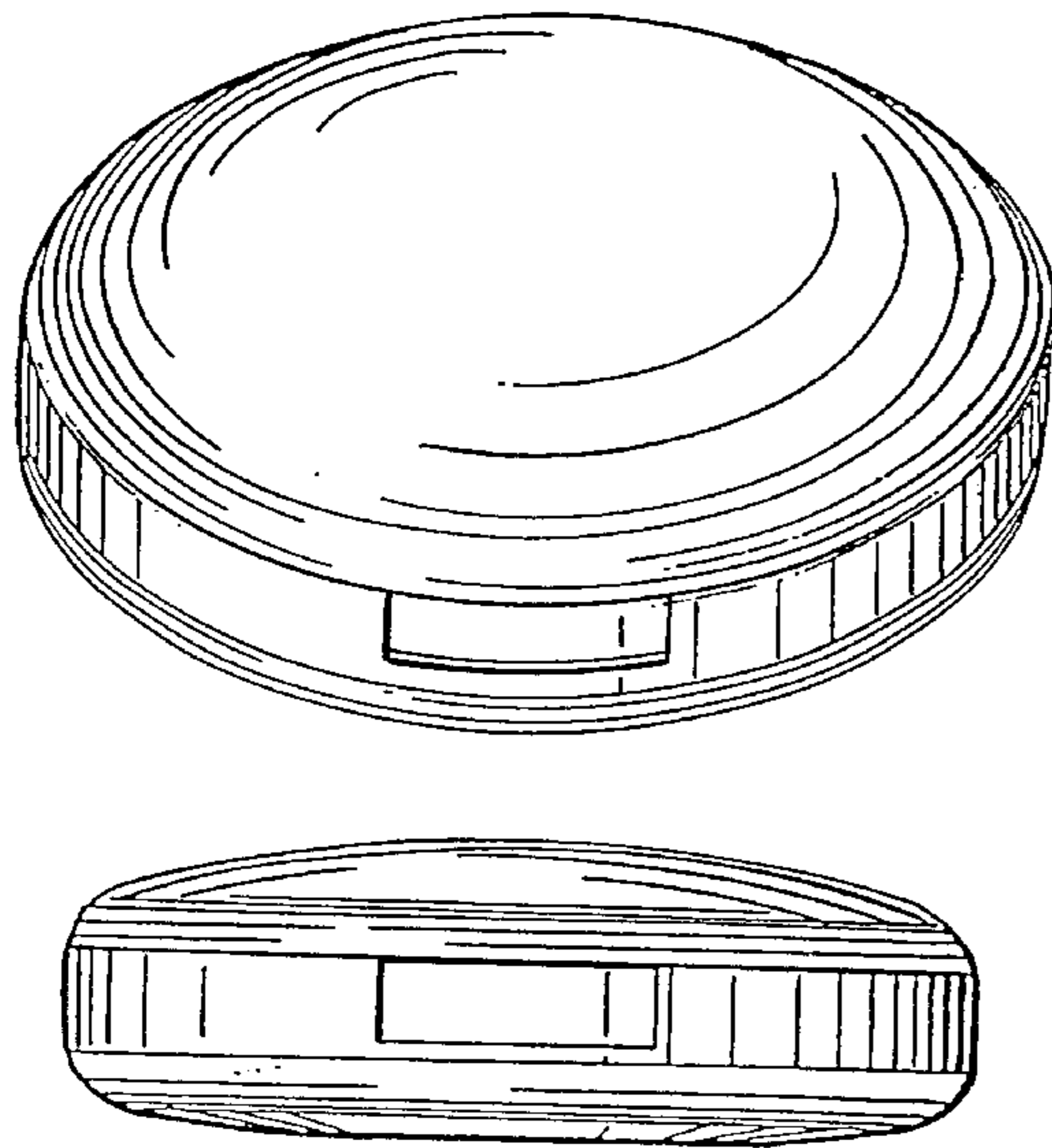
(57) **CLAIM**

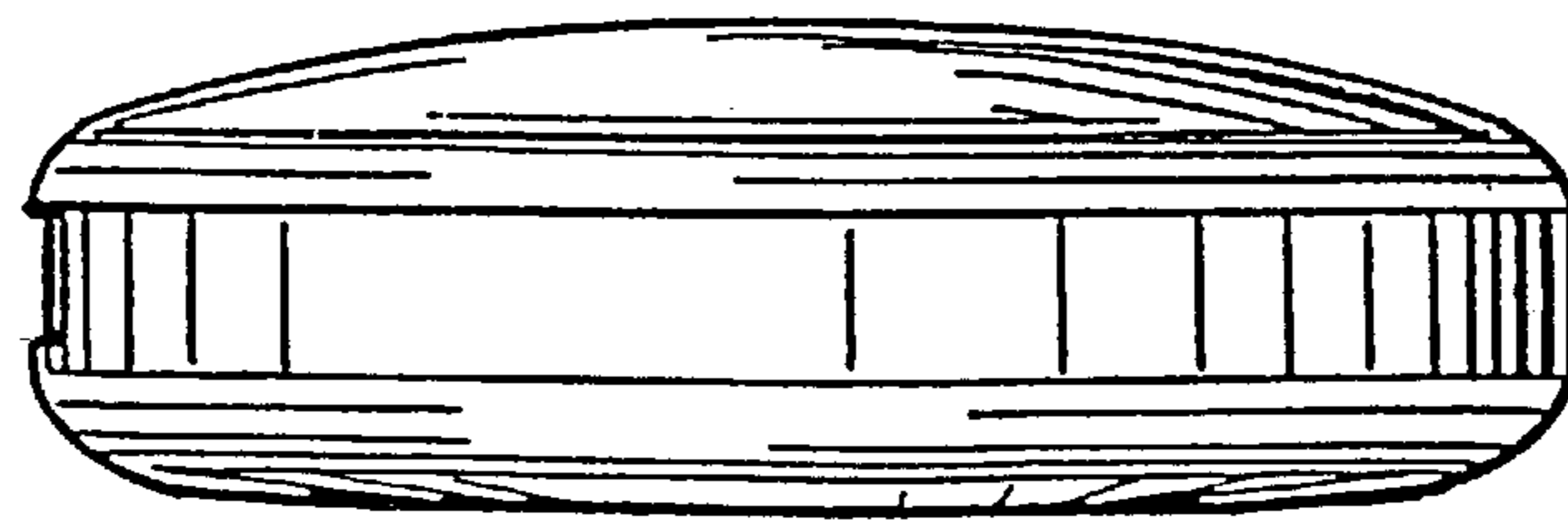
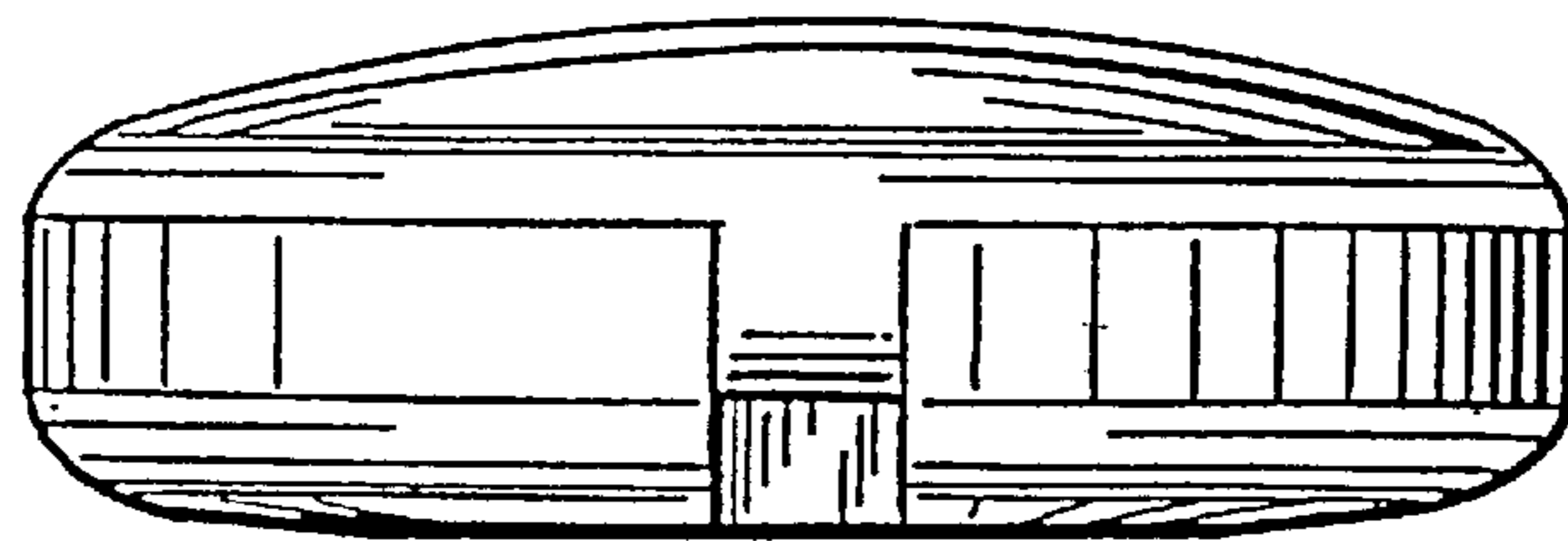
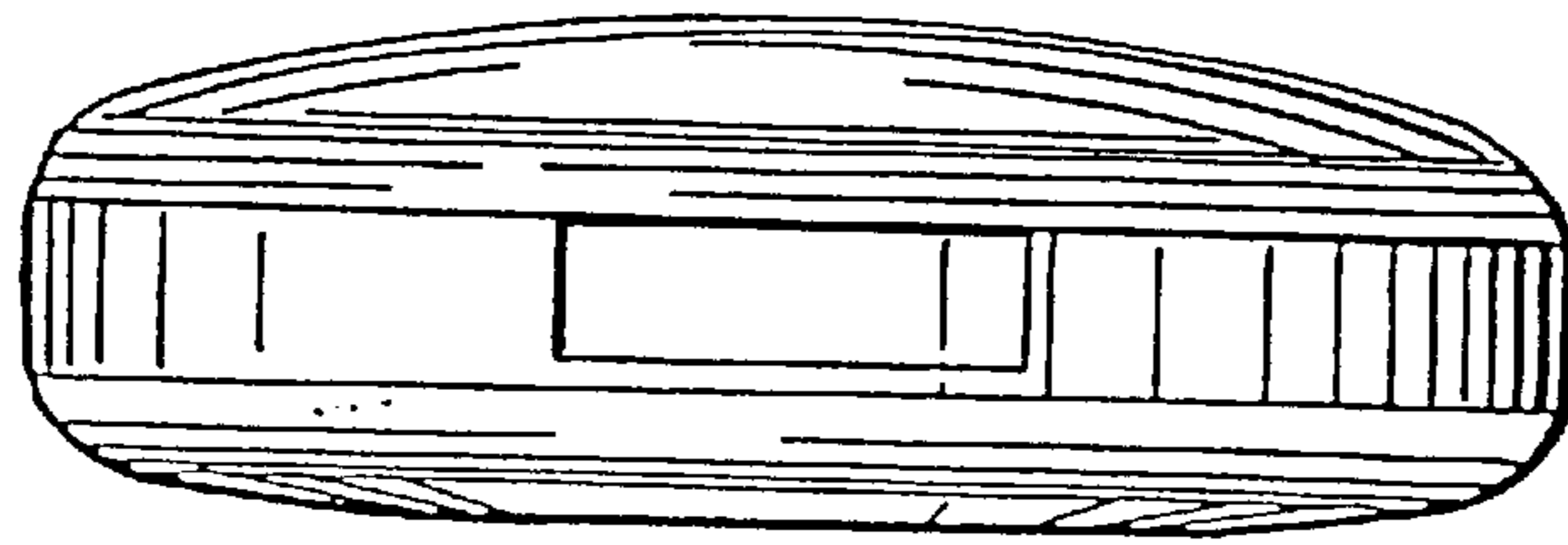
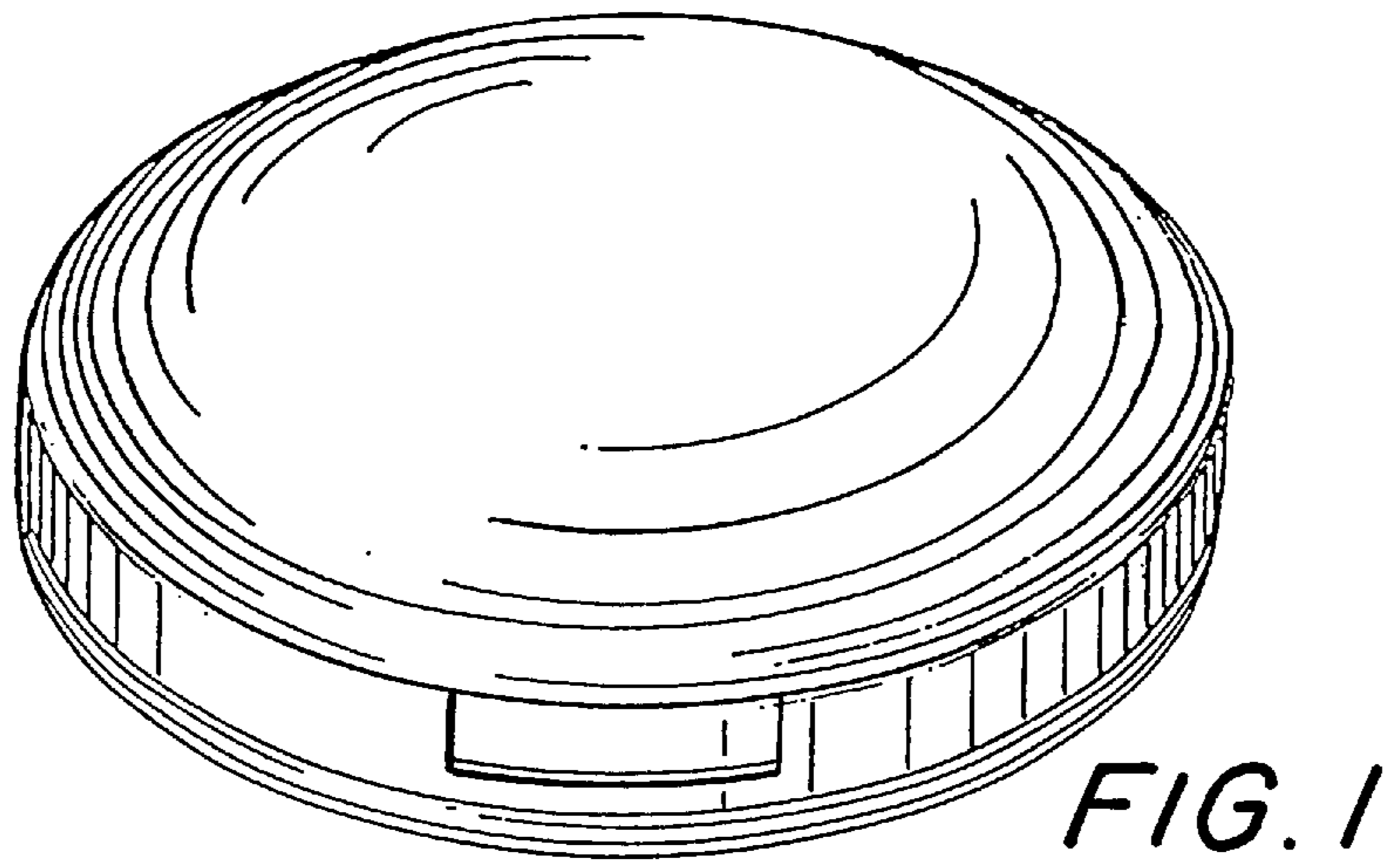
The ornamental design for a make-up compact case, as shown and described.

DESCRIPTION

FIG. 1 is a perspective view of a make-up compact case showing an embodiment of my new design; FIG. 2 is front elevational view of FIG. 1; FIG. 3 is a rear elevational view of FIG. 1; FIG. 4 is a right side view of FIG. 1, the left side view being the mirror image thereof; FIG. 5 is a top plan view of FIG. 1; FIG. 6 is a bottom plan view of FIG. 1; FIG. 7 is a perspective view of a make-up compact case showing a second embodiment of my new design; FIG. 8 is a front elevational view of FIG. 7; FIG. 9 is a rear elevational view of FIG. 7; FIG. 10 is a right side view of FIG. 7, the left side view being the mirror image thereof; FIG. 11 is a top plan view of FIG. 7; and, FIG. 12 is a bottom plan view of FIG. 7.

1 Claim, 4 Drawing Sheets





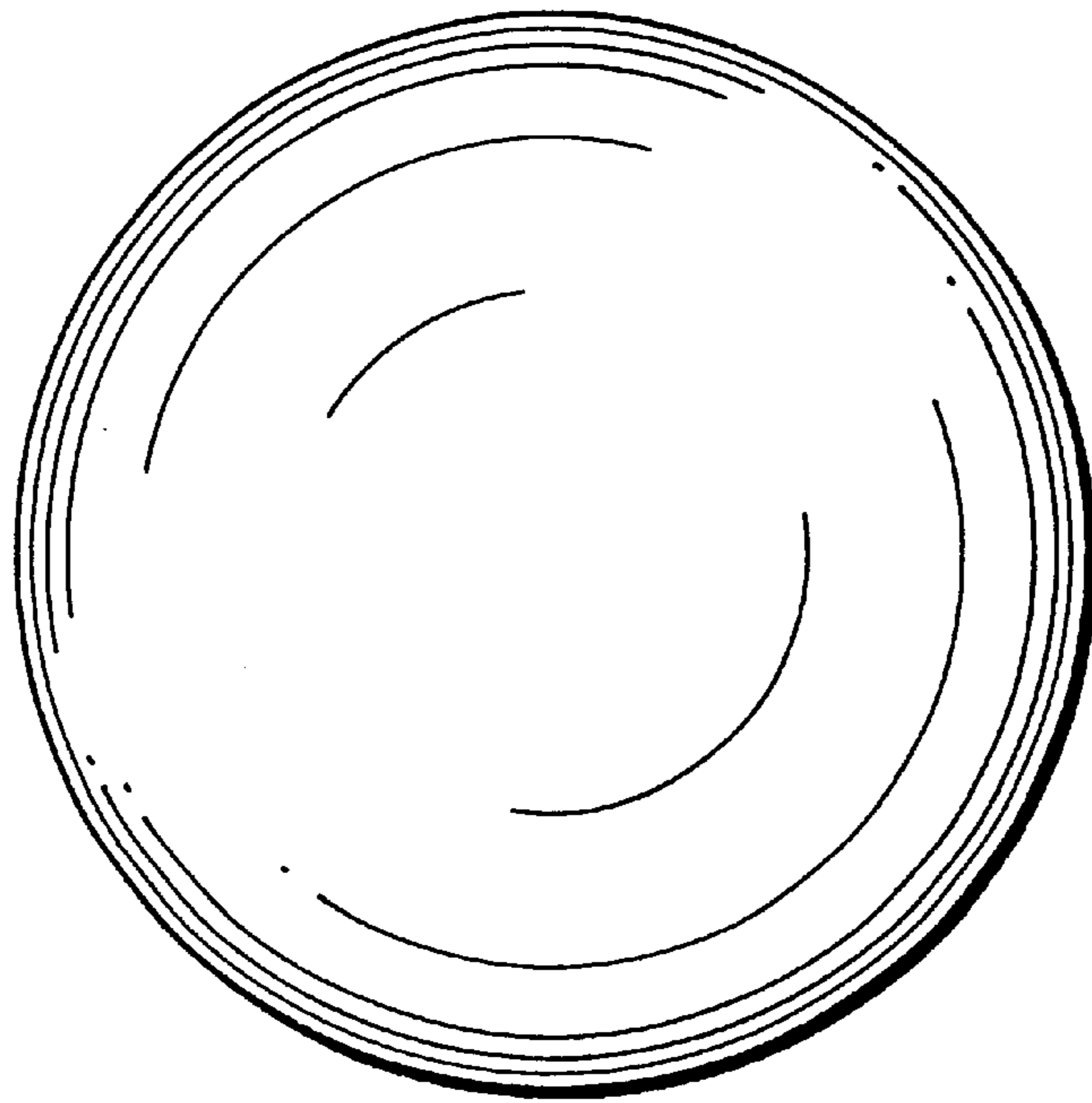


FIG. 5

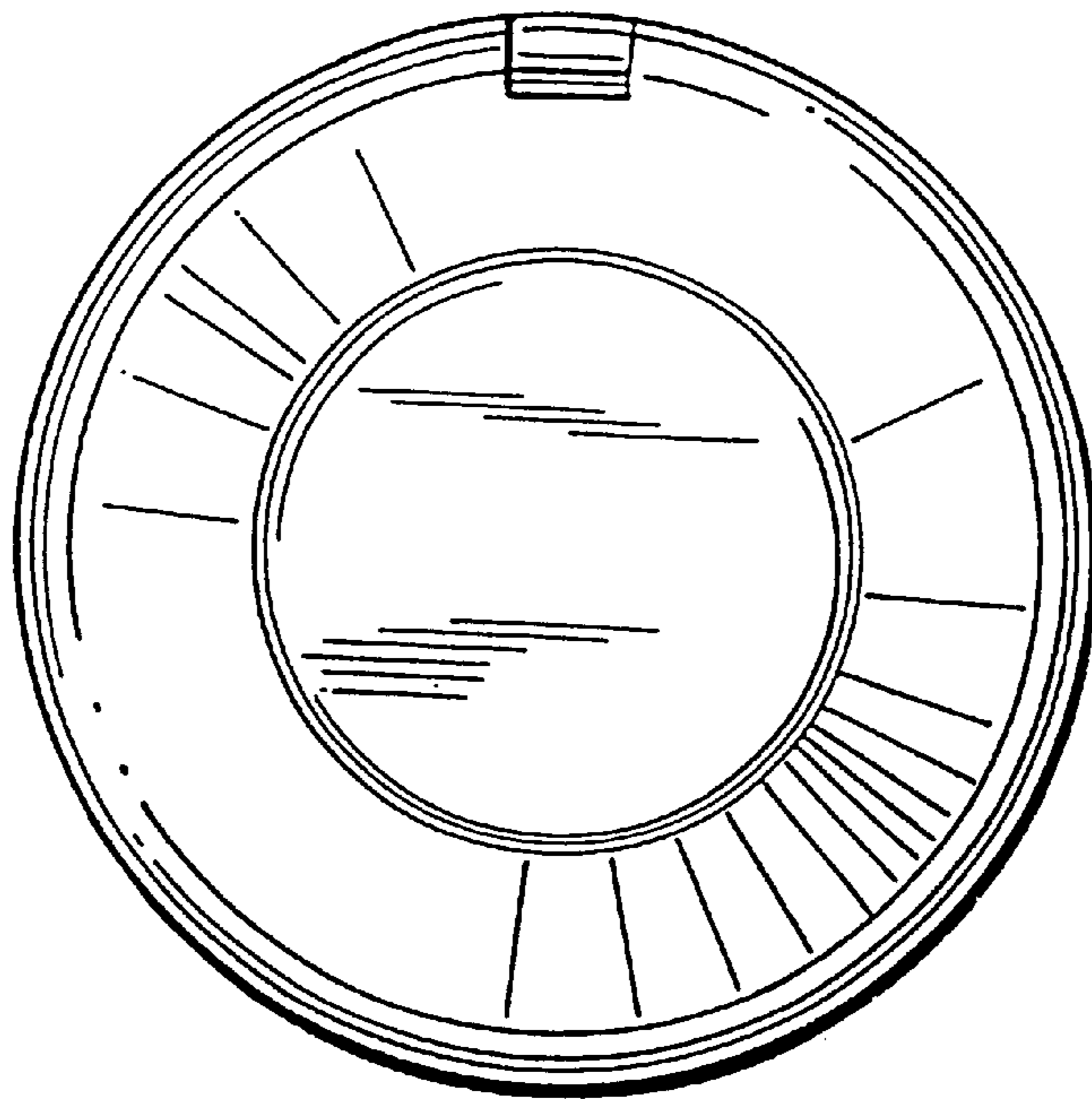


FIG. 6

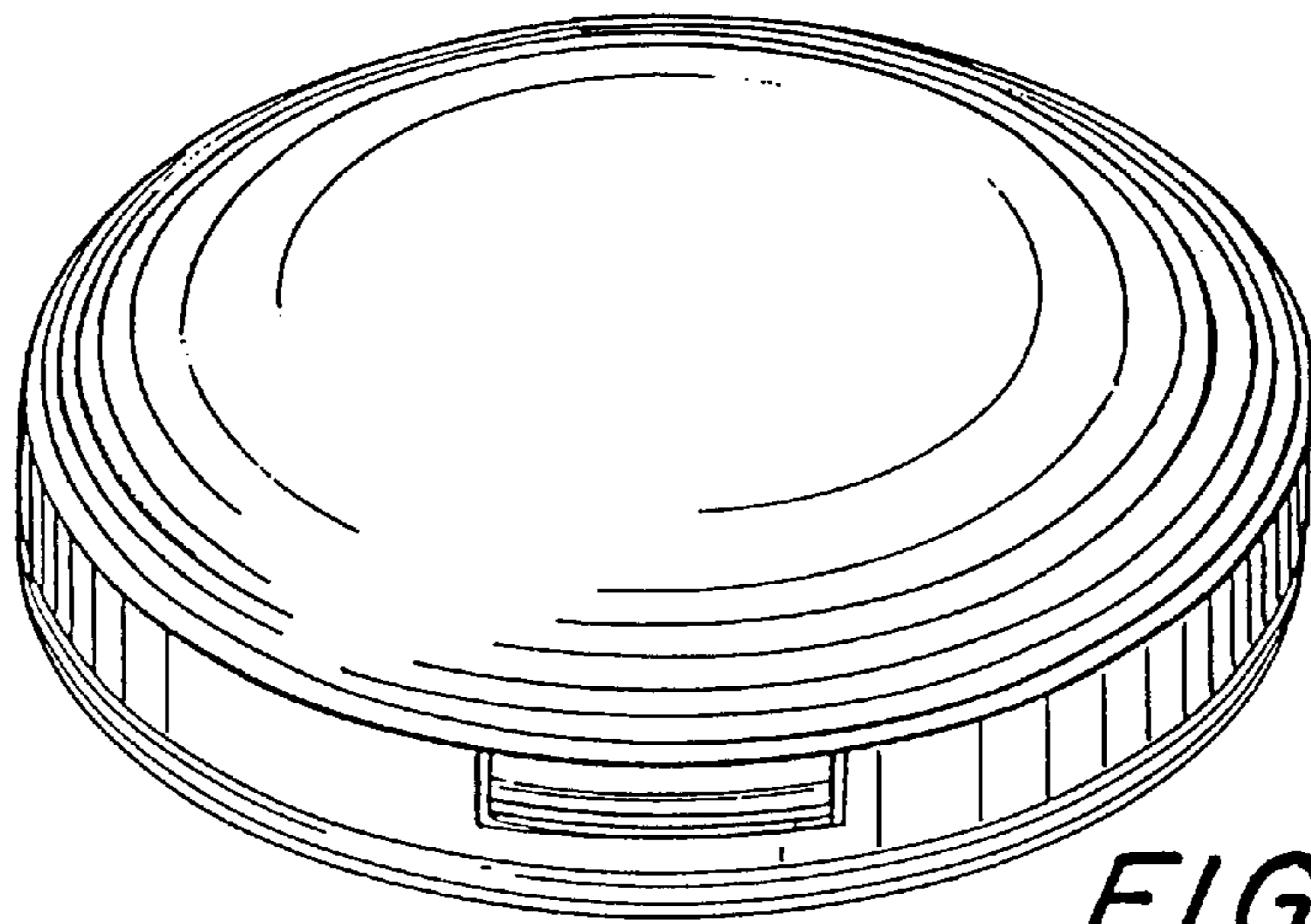


FIG. 7

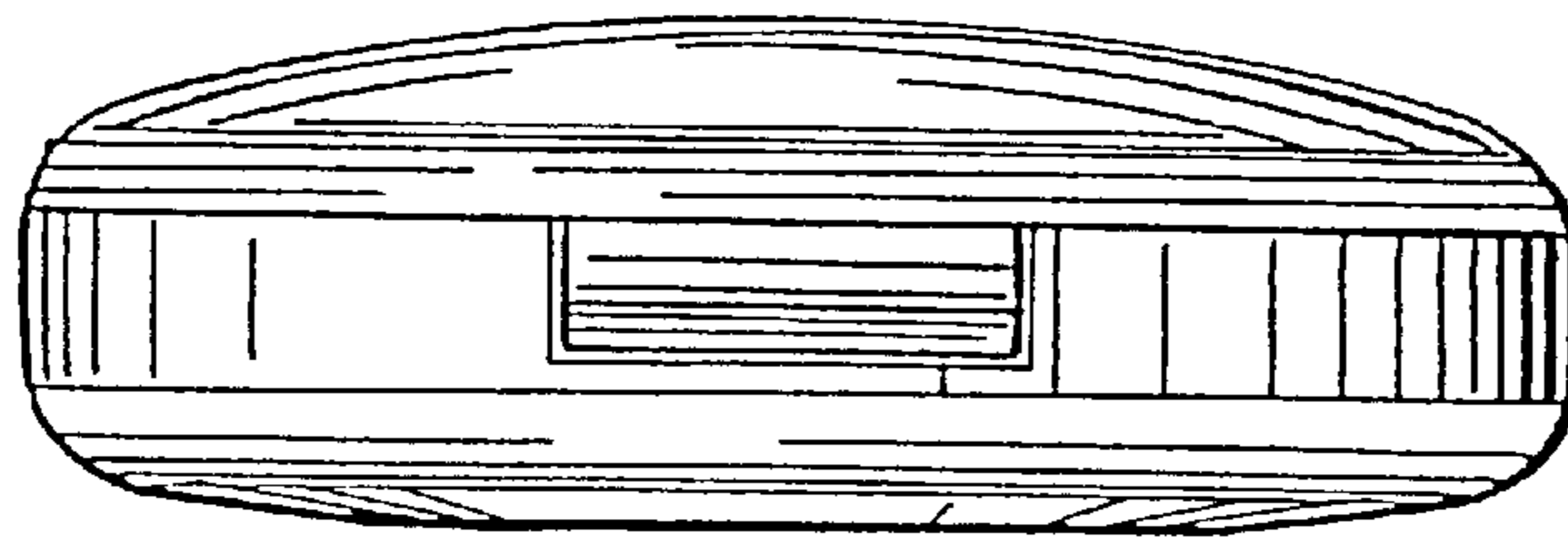


FIG. 8

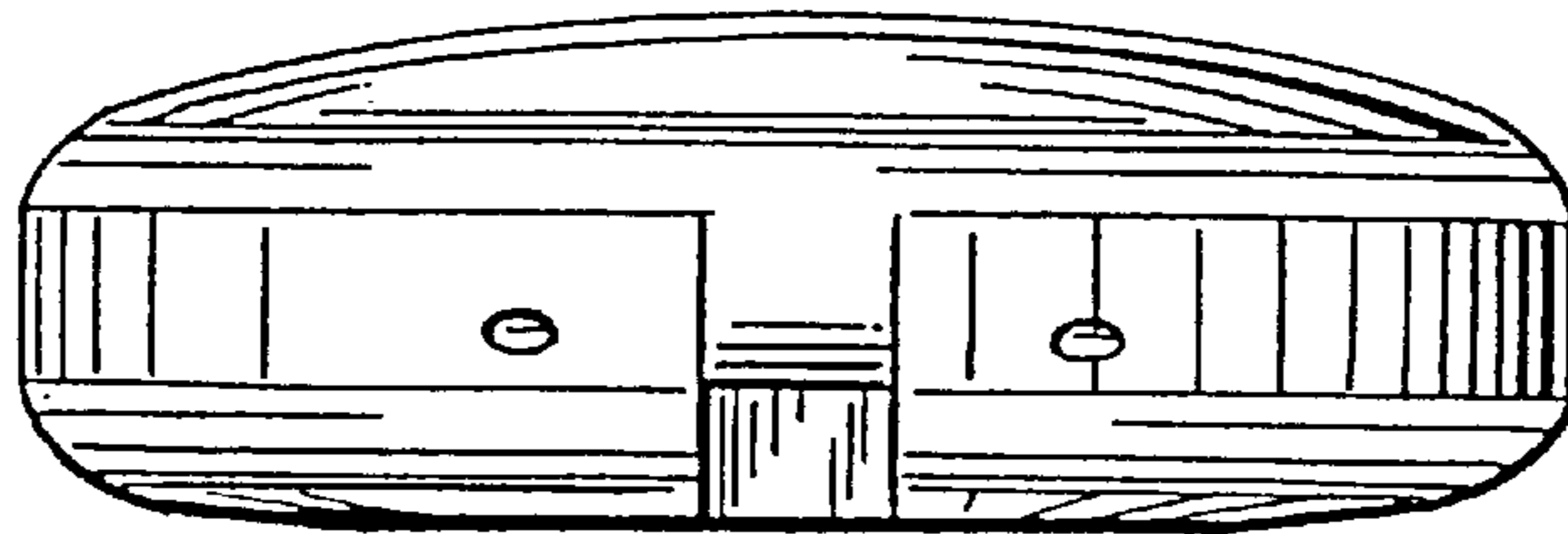


FIG. 9

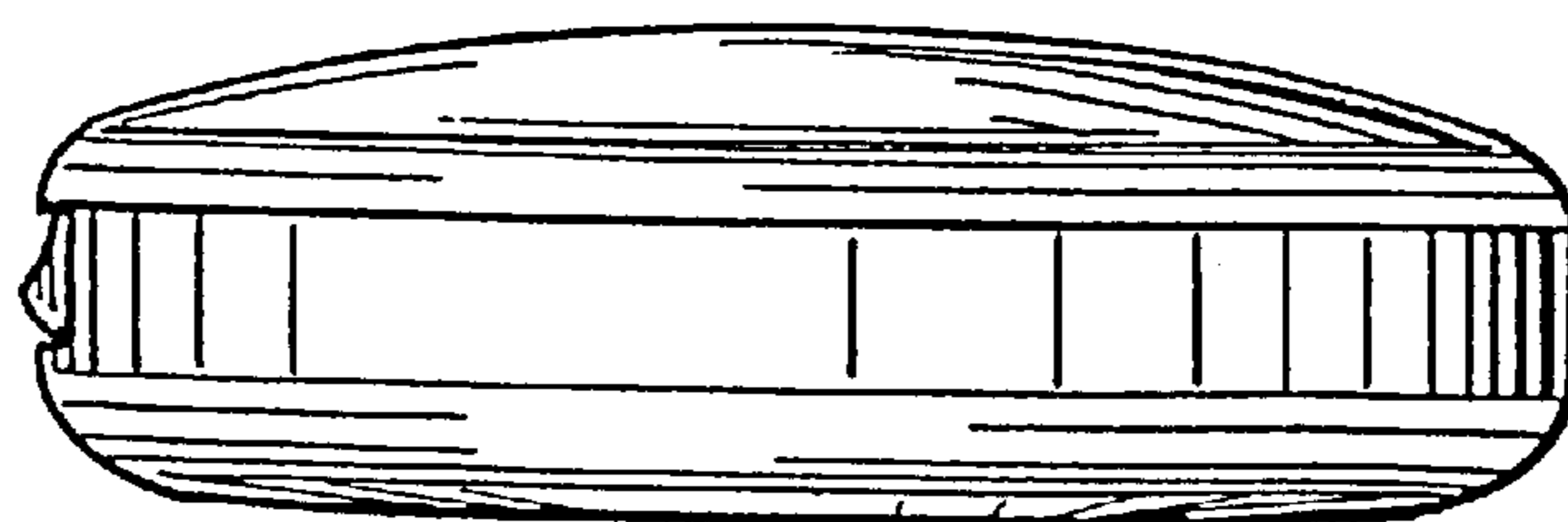


FIG. 10

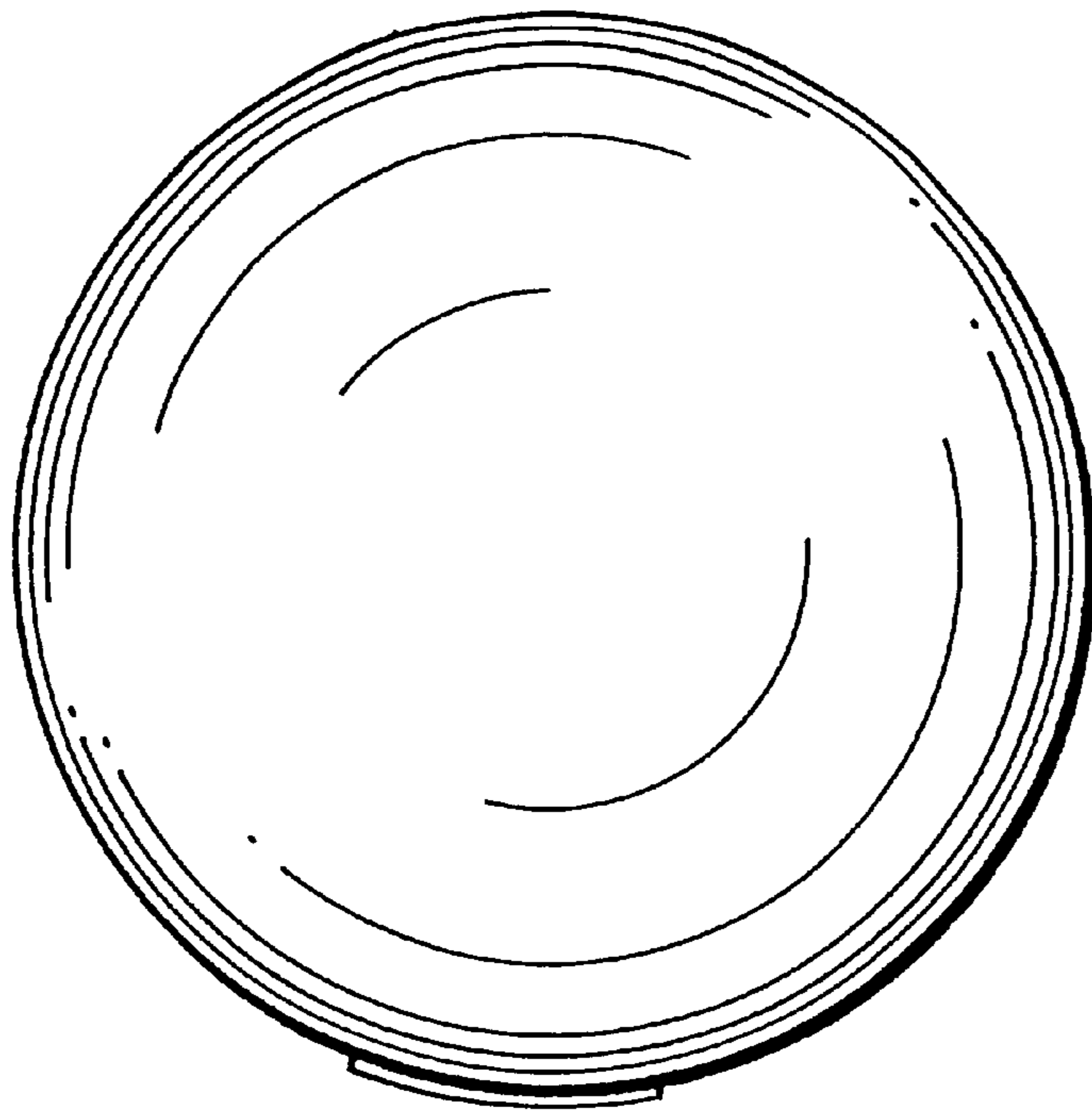


FIG. 11

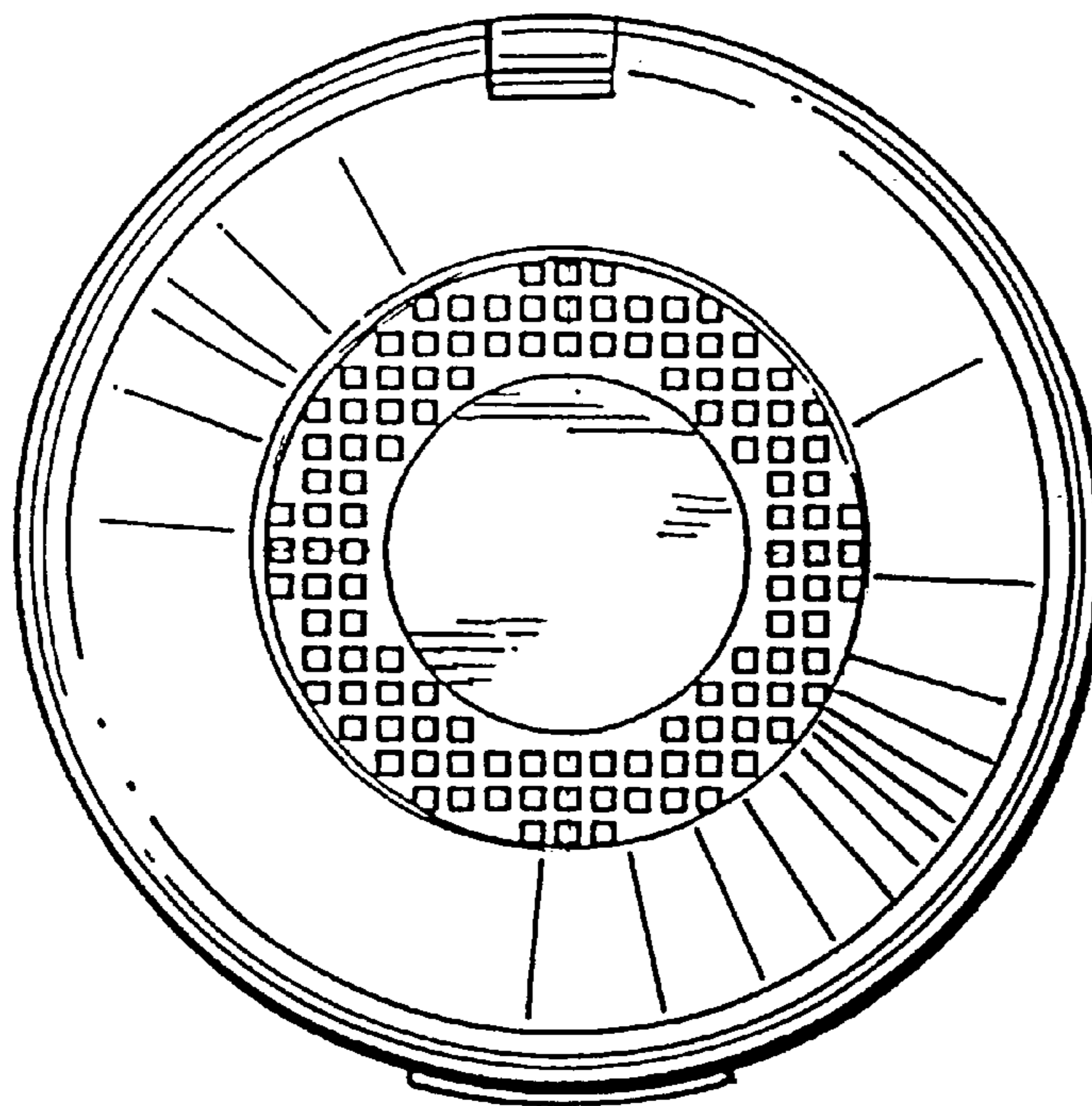


FIG. 12