

US00D460216S

(12) **United States Design Patent**  
**Hong**

(10) **Patent No.:** **US D460,216 S**

(45) **Date of Patent:** **\*\* Jul. 9, 2002**

(54) **LIP GLOSS PALETTE**

KR 30-0267606 12/2000

(75) Inventor: **Sa-woo Hong**, Puchon (KR)

**OTHER PUBLICATIONS**

(73) Assignee: **Jung Min Co., Ltd.** (KR)

Hong Kong Enterprise Oct. 1993, p. 625: item No. 812DB.\*

(\*\*) Term: **14 Years**

\* cited by examiner

(21) Appl. No.: **29/138,026**

*Primary Examiner*—Ted Shooman

*Assistant Examiner*—C Tuttle

(22) Filed: **Mar. 2, 2001**

(74) *Attorney, Agent, or Firm*—Hayes Soloway P.C.

(51) **LOC (7) Cl.** ..... **28-03**

(52) **U.S. Cl.** ..... **D28/76; D28/86**

(58) **Field of Search** ..... D28/76-86, 73;  
D9/341, 414, 418, 420, 423; 132/286, 293-307,  
314-318; 206/235, 581, 823, 81, 1.7, 1.8;  
220/DIG. 26; D19/35

(57) **CLAIM**

I claim the ornamental design for a lip gloss palette, as shown and described.

(56) **References Cited**

**U.S. PATENT DOCUMENTS**

D103,887 S \* 3/1937 Conner ..... D28/77 X  
3,471,611 A \* 10/1969 Scott et al. .... 424/10.2  
D235,280 S \* 6/1975 Glass ..... D8/76  
D304,629 S \* 11/1989 Alvarado ..... D28/76  
D307,196 S \* 4/1990 McClure ..... D28/79  
D397,831 S \* 9/1998 Stoecker ..... D28/78  
D436,693 S \* 1/2001 Thorpe et al. .... D28/76

**FOREIGN PATENT DOCUMENTS**

KR 30-0243743 8/1999  
KR 30-0261497 8/2000

**DESCRIPTION**

FIG. 1 is a top plan view of the lip gloss palette of the present invention;

FIG. 2 is a bottom plan view of the lip gloss palette of FIG. 1;

FIG. 3 is a front elevational view of the lip gloss palette of FIG. 1;

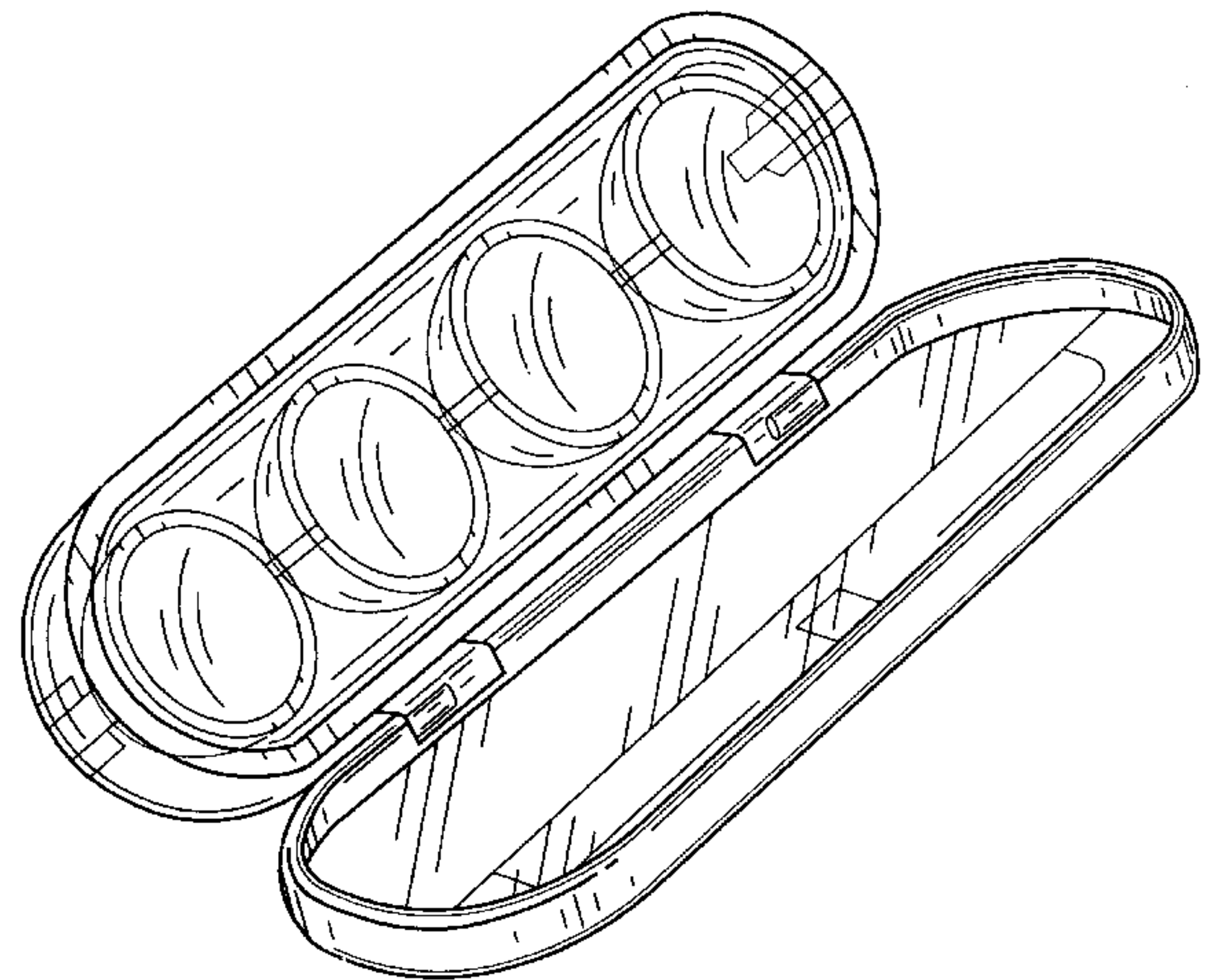
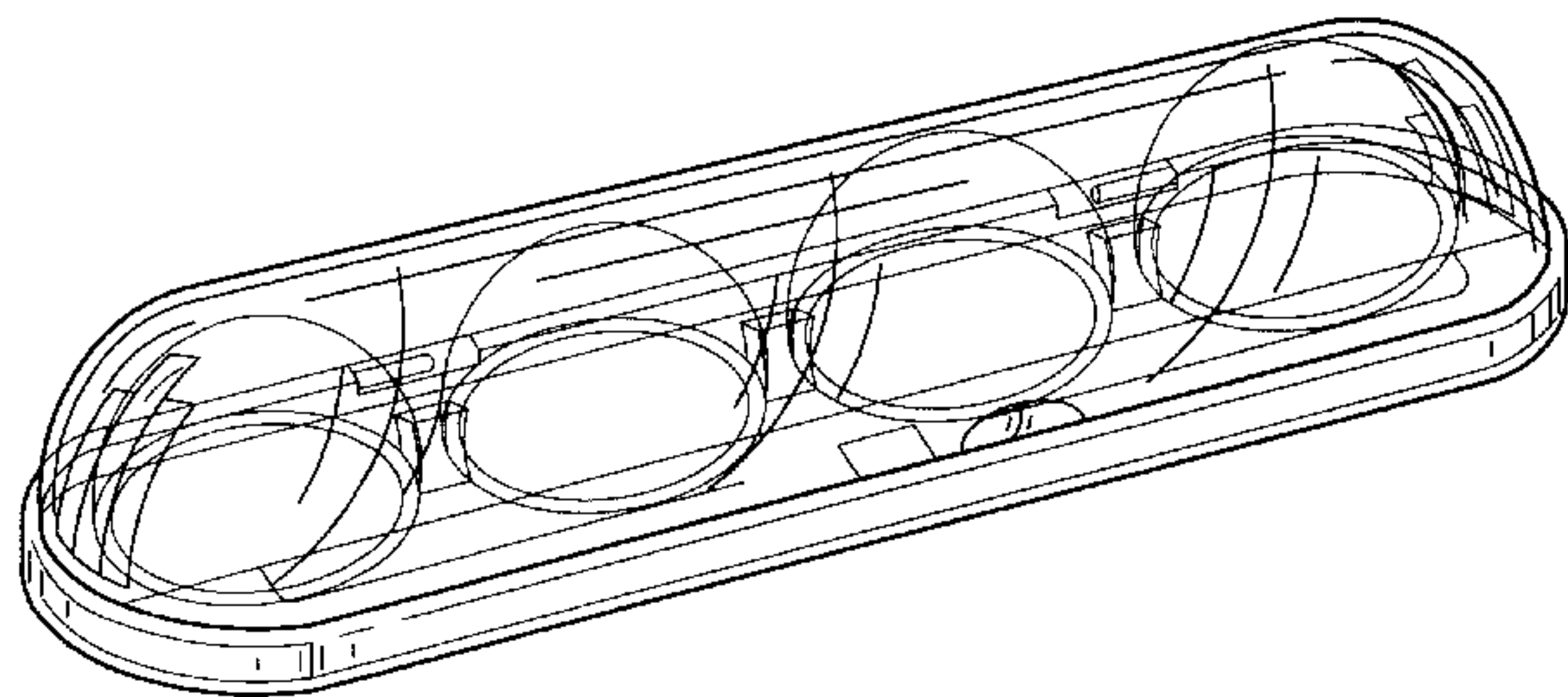
FIG. 4 is a back elevational view of the lip gloss palette of FIG. 1;

FIGS. 5 and 6 are side elevational views of the lip gloss palette of FIG. 1;

FIG. 7 is a perspective view of the lip gloss palette of FIG. 1, showing the cover closed; and,

FIG. 8 is a perspective view of the lip gloss palette of FIG. 1, similar to FIG. 7, and showing the cover open.

**1 Claim, 2 Drawing Sheets**



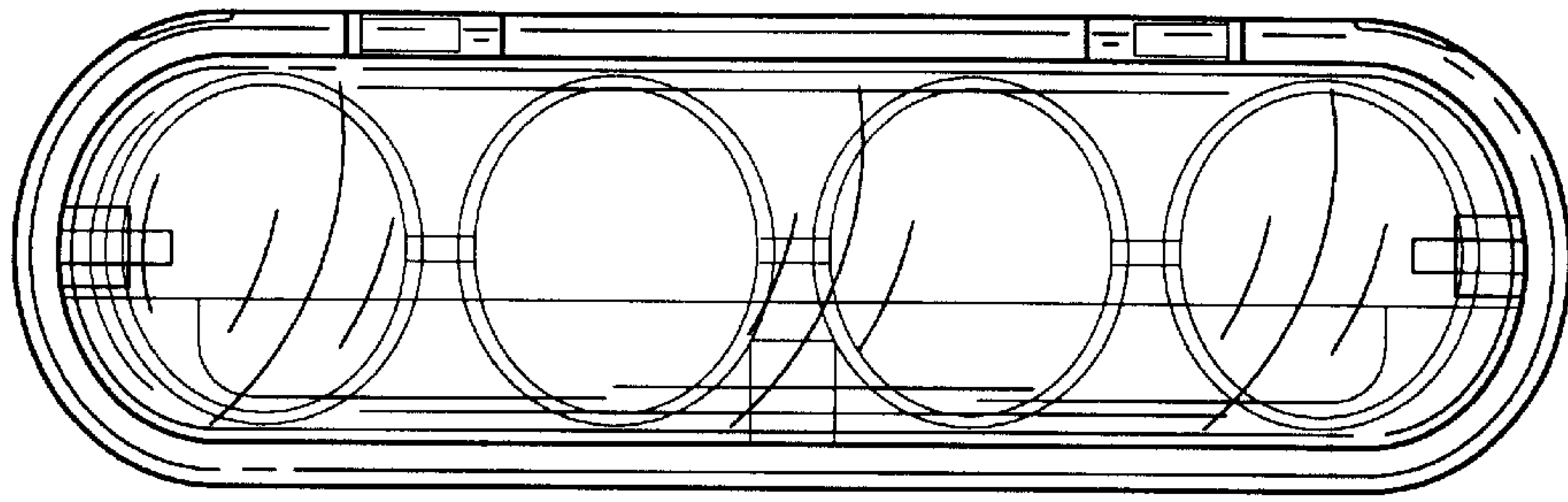


FIG. 1

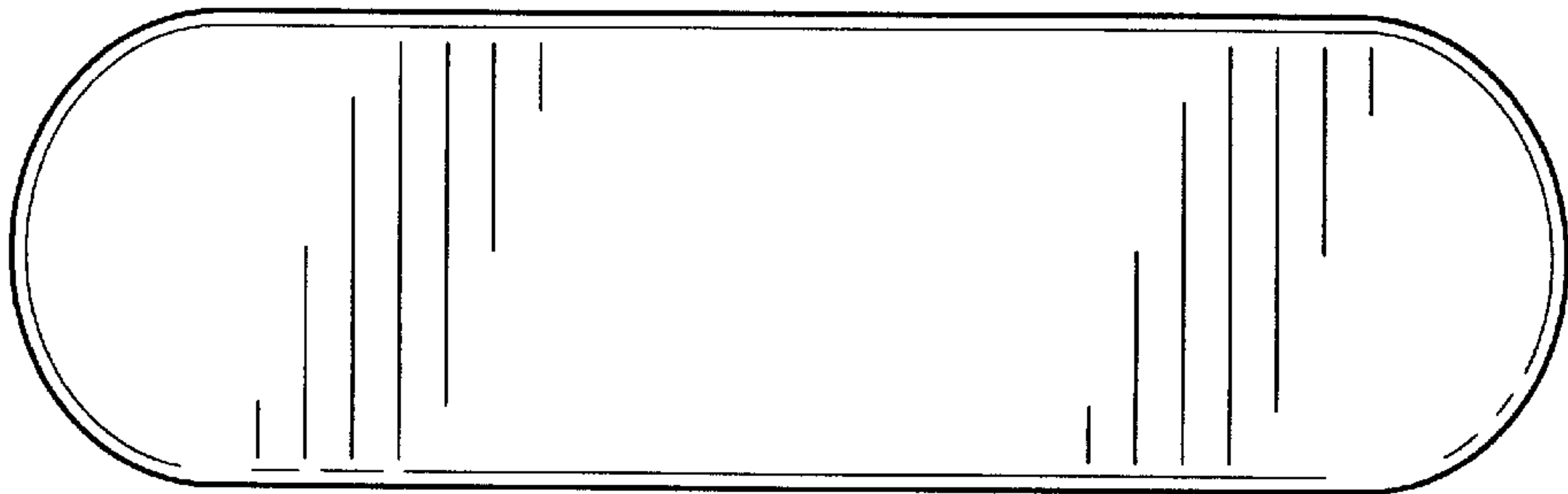


FIG. 2

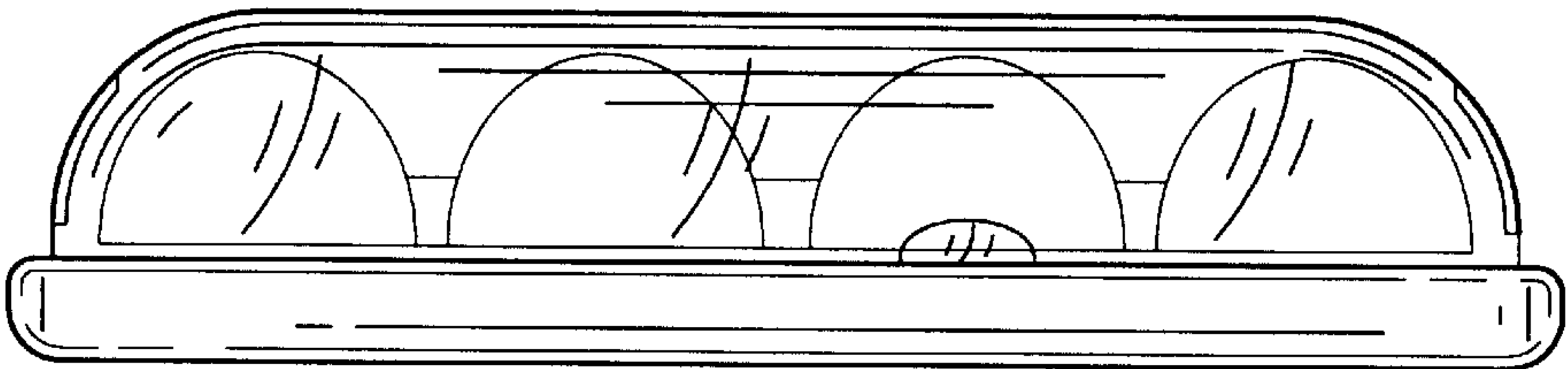


FIG. 3

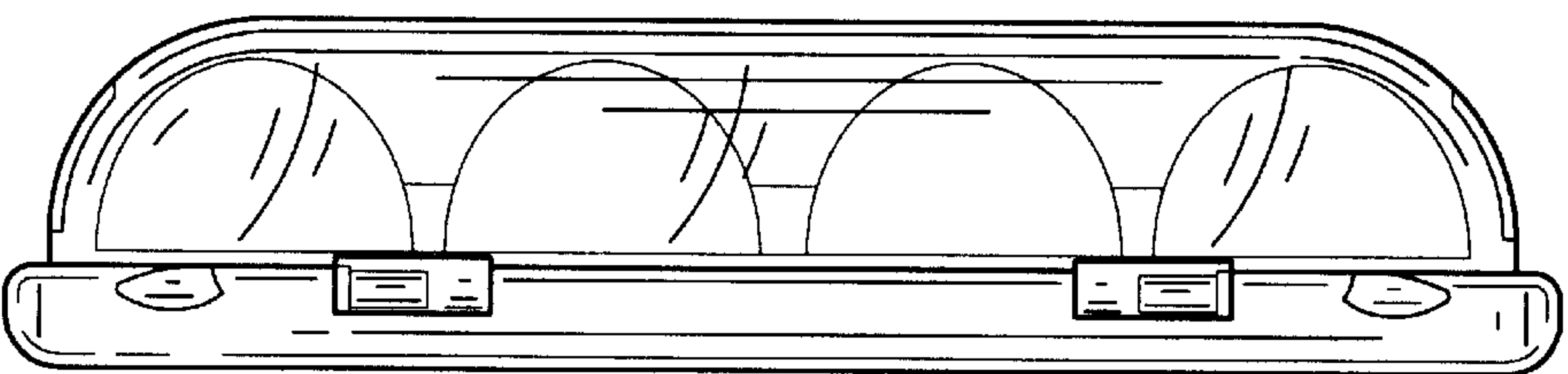


FIG. 4

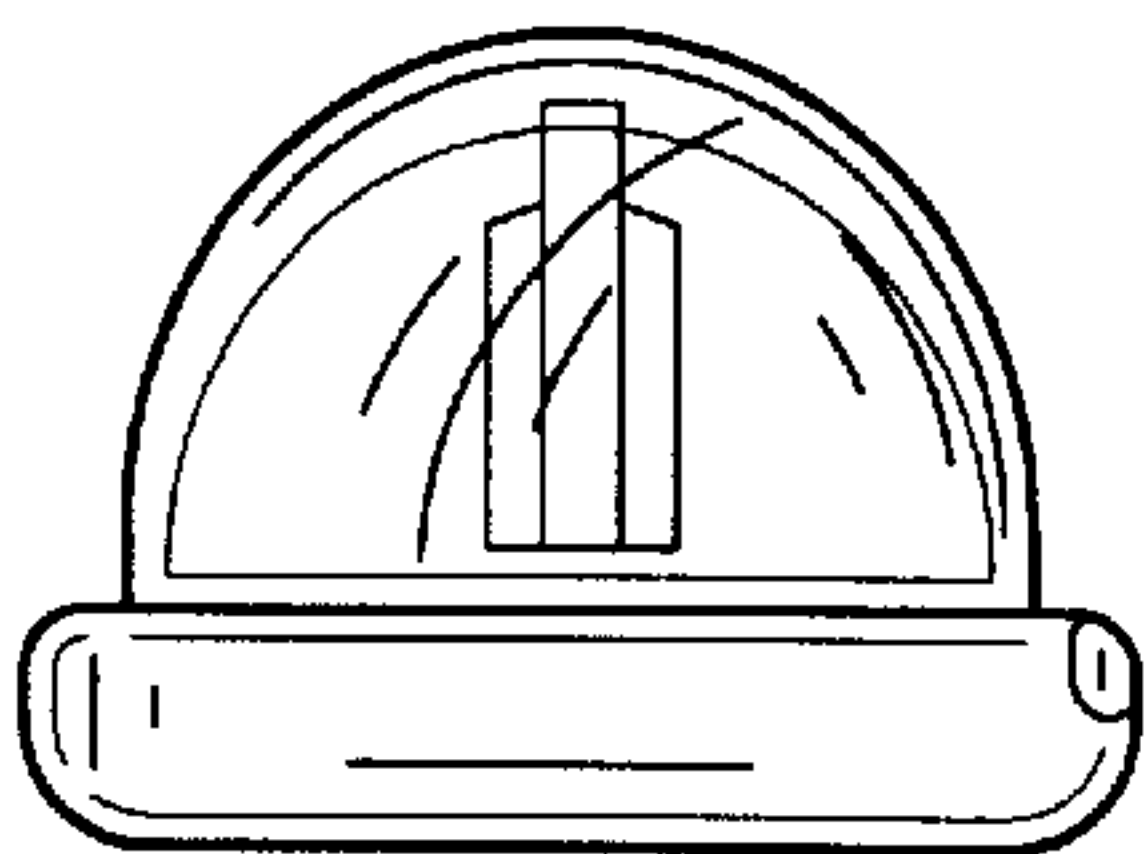


FIG. 5

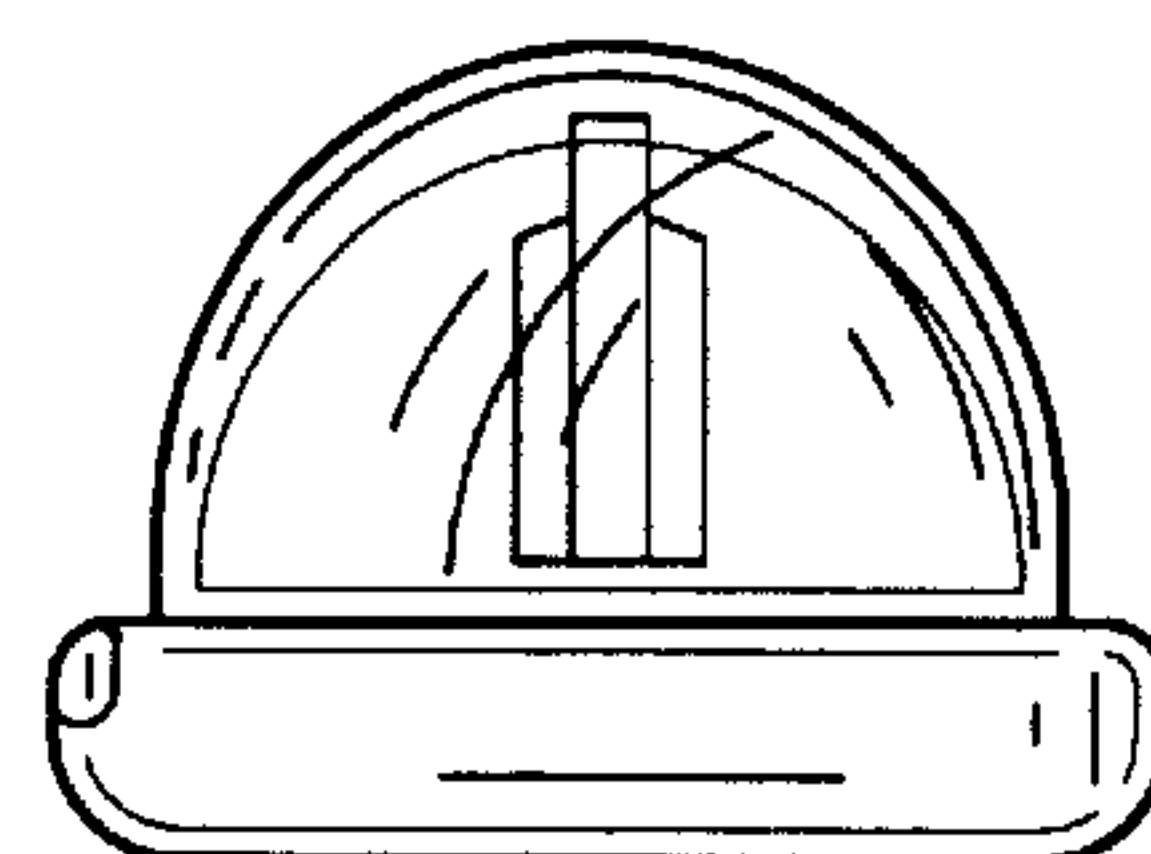


FIG. 6

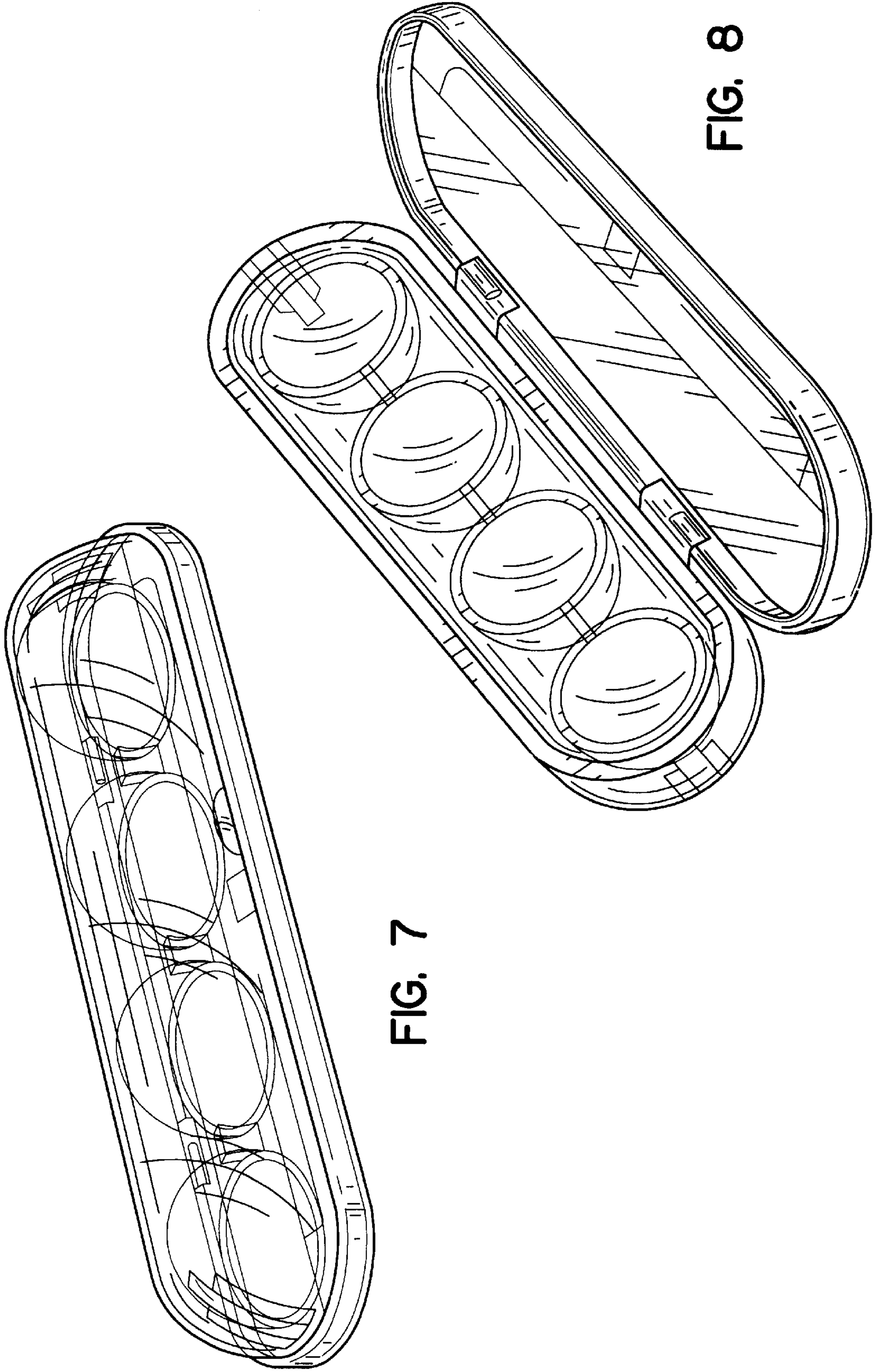


FIG. 7

FIG. 8