



US00D460212S

(12) **United States Design Patent**  
**Angeletta**

(10) **Patent No.:** **US D460,212 S**

(45) **Date of Patent:** **\*\* Jul. 9, 2002**

(54) **LIQUID AND LOTION APPLICATOR**

(76) Inventor: **Joseph G. Angeletta**, 418 Fifth St.,  
Mamaroneck, NY (US) 10543

(\*\*) Term: **14 Years**

(21) Appl. No.: **29/148,949**

(22) Filed: **Sep. 28, 2001**

**Related U.S. Application Data**

(62) Division of application No. 29/125,030, filed on Jun. 16,  
2000, now Pat. No. Des. 451,637.

(51) **LOC (7) Cl.** ..... **28-02**

(52) **U.S. Cl.** ..... **D28/7**

(58) **Field of Search** ..... D28/7, 63; D4/114,  
D4/127, 137, 138, 124, 125; D9/338, 321;  
D24/119; D32/40, 43, 45, 51; D3/270;  
132/320; 15/104.94, 244.1, 244.2; 401/138,  
139, 196, 197, 202-207, 263-266, 268,  
270-275

(56) **References Cited**

**U.S. PATENT DOCUMENTS**

D32,104 S \* 1/1900 Dula ..... D9/321

5,322,382 A	*	6/1994	Hull et al. ....	401/202
D357,810 S	*	5/1995	Evans .....	D4/114
5,454,659 A	*	10/1995	Vosbikian et al. ....	401/207
D384,436 S	*	9/1997	Kelley .....	D28/7
5,931,591 A	*	8/1999	McCracken .....	401/205
D417,033 S	*	11/1999	Sachs et al. ....	D28/7
D434,525 S	*	11/2000	Angeletta .....	D28/7
D438,671 S	*	3/2001	Angeletta .....	D28/7
D449,406 S	*	10/2001	Angeletta .....	D28/7

\* cited by examiner

*Primary Examiner*—Lucy Lieberman

(74) *Attorney, Agent, or Firm*—Scully, Scott, Murphy &  
Presser

(57) **CLAIM**

The ornamental design for a liquid and lotion applicator, as  
shown and described.

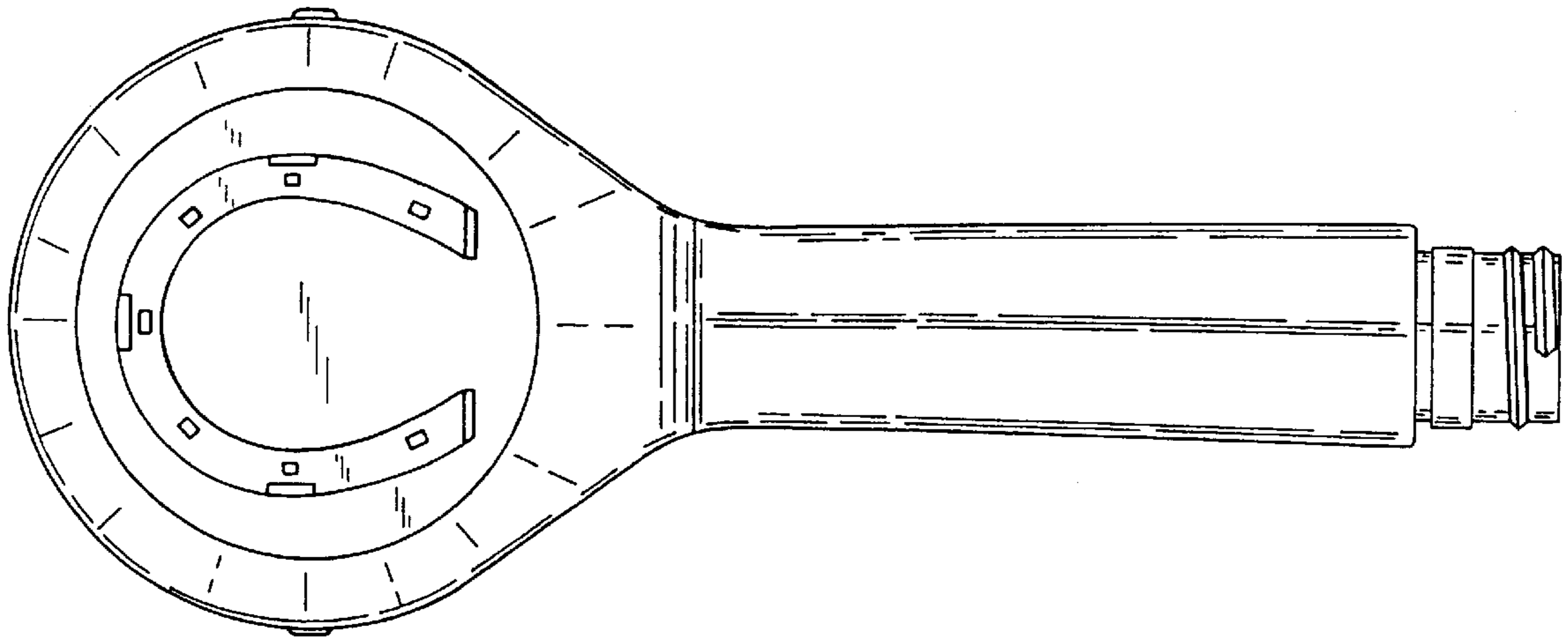
**DESCRIPTION**

FIG. 1 is a top plan view of a liquid and lotion applicator  
showing my new design;

FIG. 2 is a side elevation of the liquid and lotion applicator,  
the opposite side elevation is a mirror image thereto; and,

FIG. 3 is a bottom plan view of the liquid and lotion  
applicator.

**1 Claim, 2 Drawing Sheets**



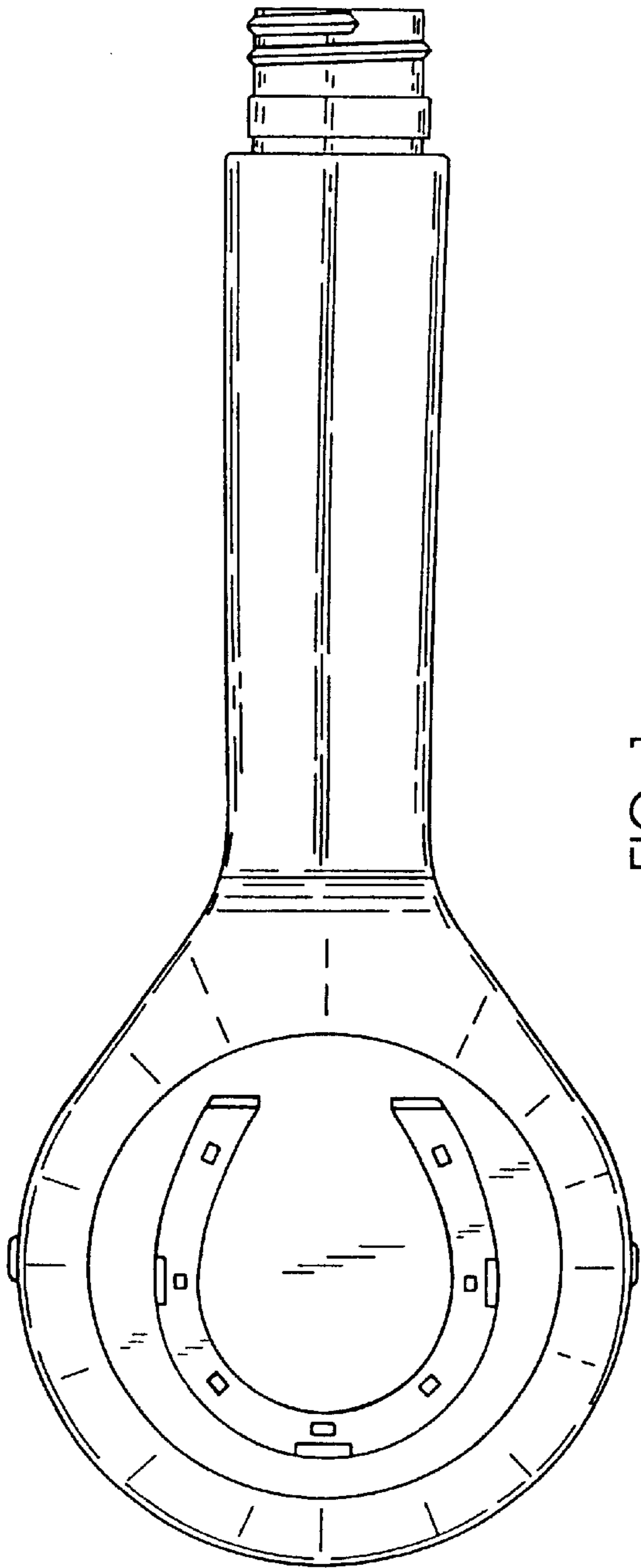


FIG. 1

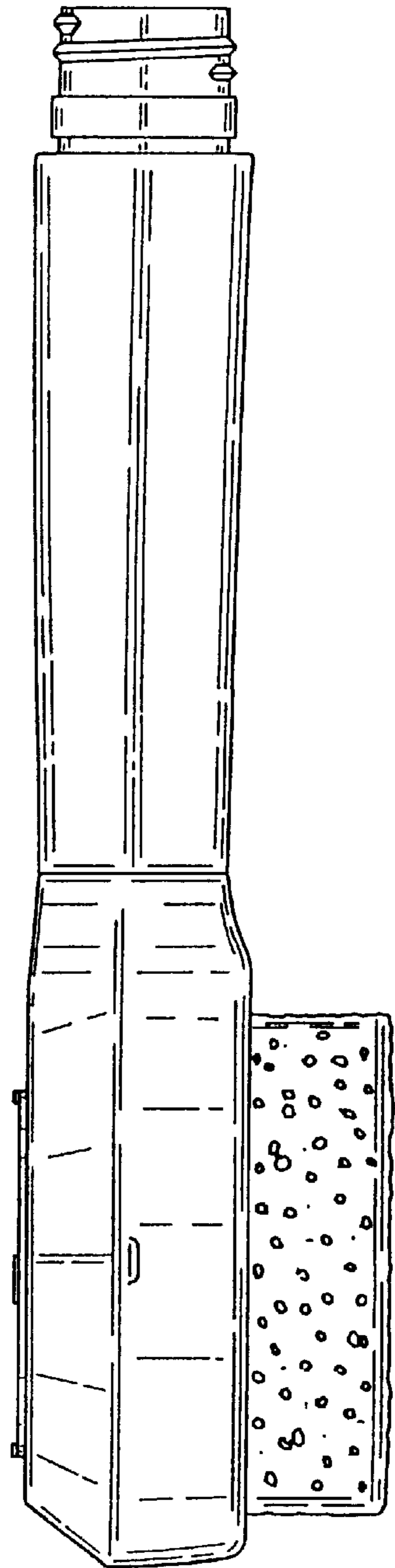


FIG. 2

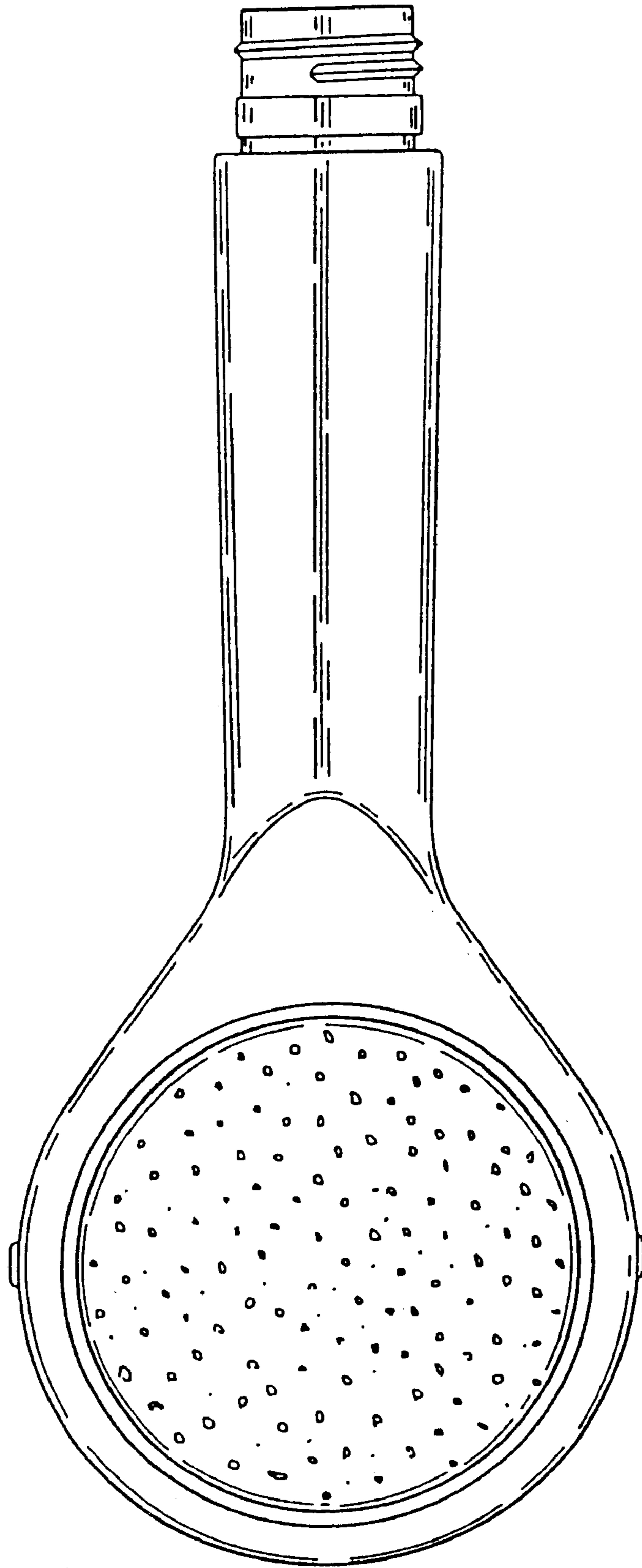


FIG. 3