



US00D460210S

(12) **United States Design Patent**
Lee

(10) **Patent No.:** **US D460,210 S**

(45) **Date of Patent:** **** Jul. 9, 2002**

(54) **WALL LAMP SUPPORT**

OTHER PUBLICATIONS

(76) Inventor: **Ying-Jue Lee**, 7, Lane 530, Chung Hua Road, Sec. 1, Pa Li, Taipei Hsien (TW)

Item #A64, Taiwan Lighting Aug. 1996, p. 305.*

(**) Term: **14 Years**

* cited by examiner

(21) Appl. No.: **29/145,473**

Primary Examiner—Jennifer Rivard

(22) Filed: **Jul. 25, 2001**

(74) *Attorney, Agent, or Firm*—Troxell Law Office PLLC

(51) **LOC (7) Cl.** **26-99**

(52) **U.S. Cl.** **D26/155; D26/145**

(58) **Field of Search** D26/113, 92, 141,
D26/142, 145–151, 155, 87, 138; 362/147,
362, 404–409

(57) **CLAIM**

The ornamental design for a wall lamp support, as shown.

DESCRIPTION

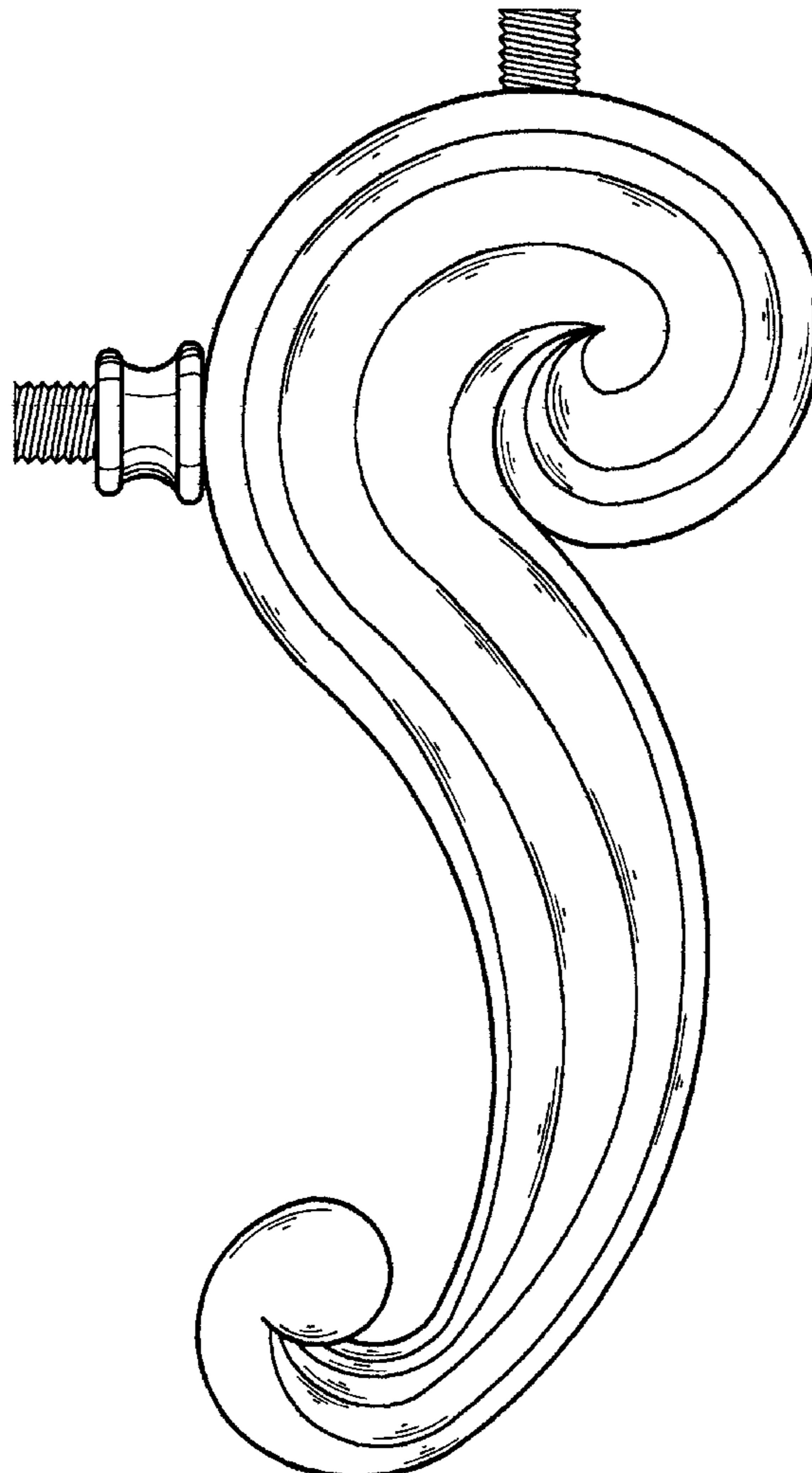
FIG. 1 is a front perspective view of a wall lamp support showing my new design;
FIG. 2 is a front elevational view thereof;
FIG. 3 is a rear elevational view thereof;
FIG. 4 is a left side elevational view thereof;
FIG. 5 is a right side elevational view thereof;
FIG. 6 is a top plan view thereof; and,
FIG. 7 is a bottom plan view thereof.

(56) **References Cited**

U.S. PATENT DOCUMENTS

D48,386 S	*	1/1916	Jones	D26/145
D403,103 S	*	12/1998	Wang	D26/155
D434,178 S	*	11/2000	Mateu	D26/155
D445,951 S	*	7/2001	Johnson	D26/155

1 Claim, 6 Drawing Sheets



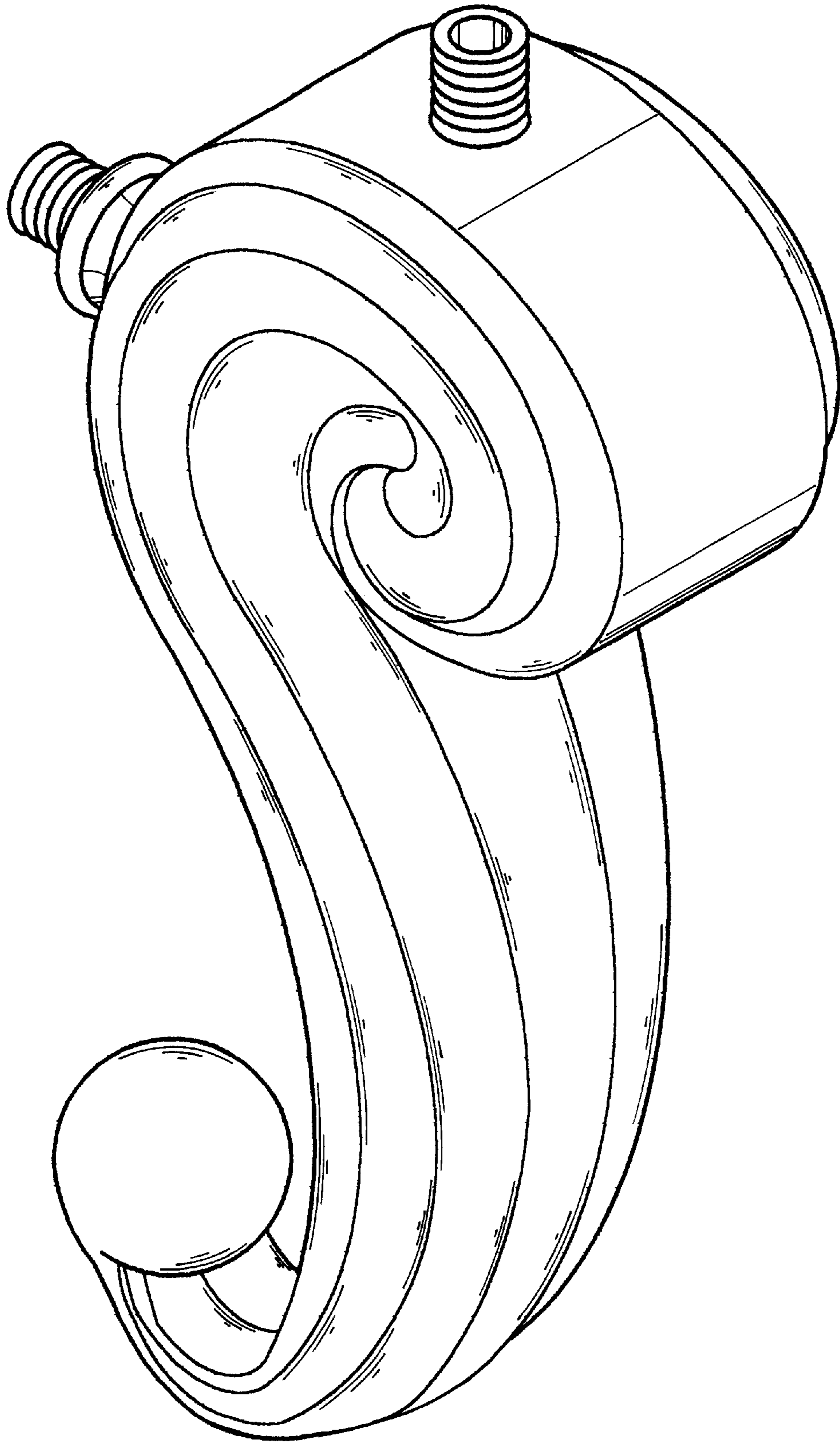


FIG. 1

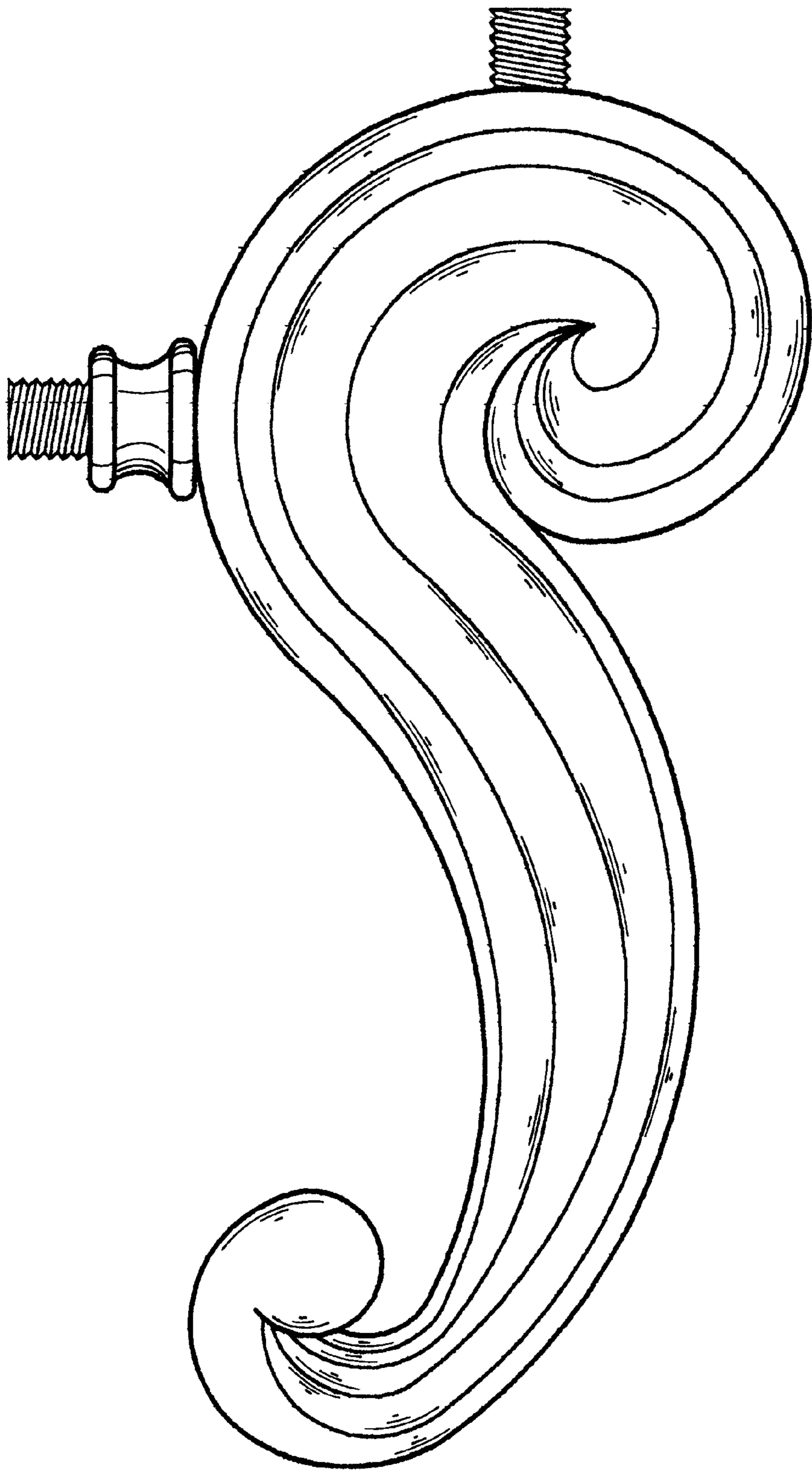


FIG. 2

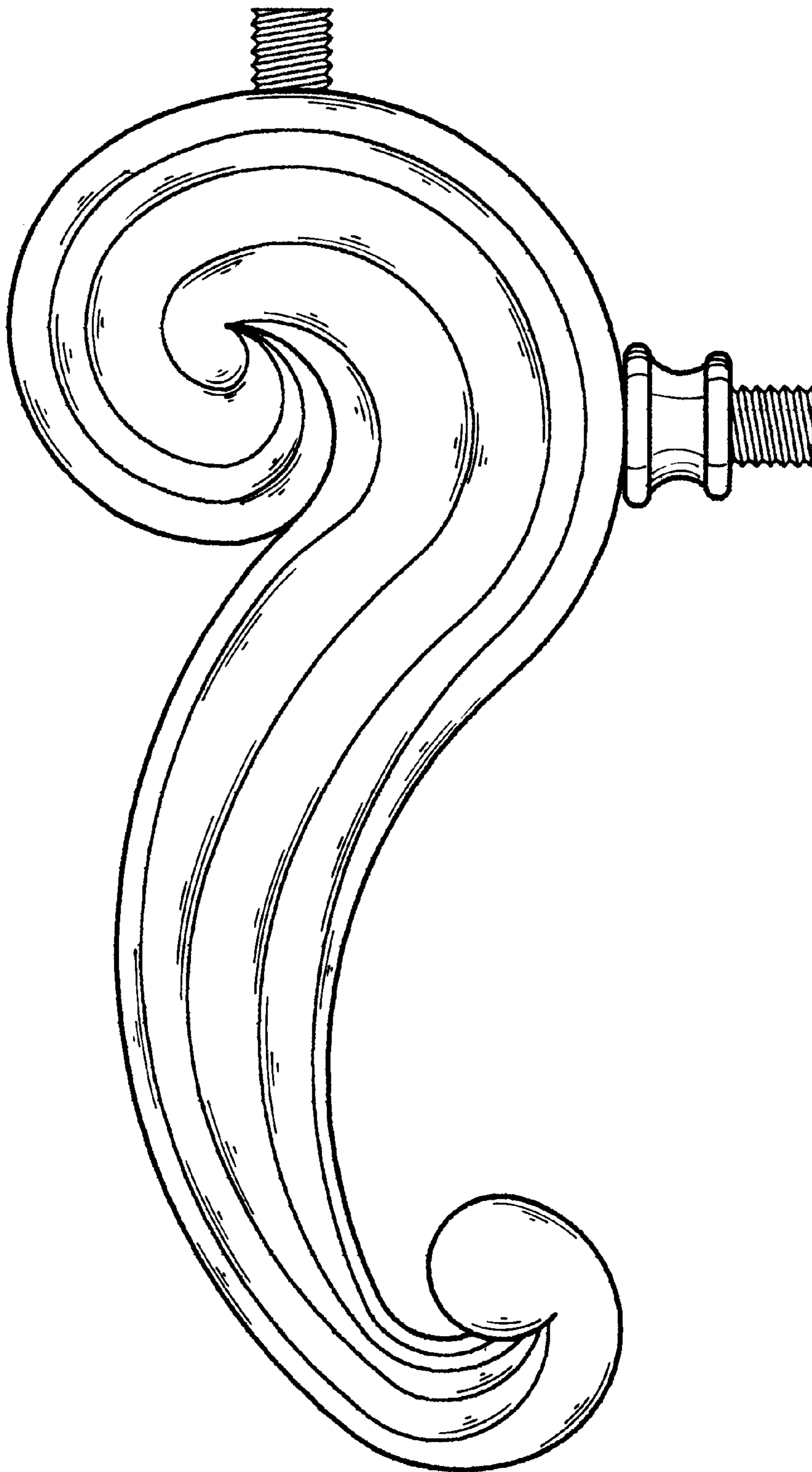


FIG. 3

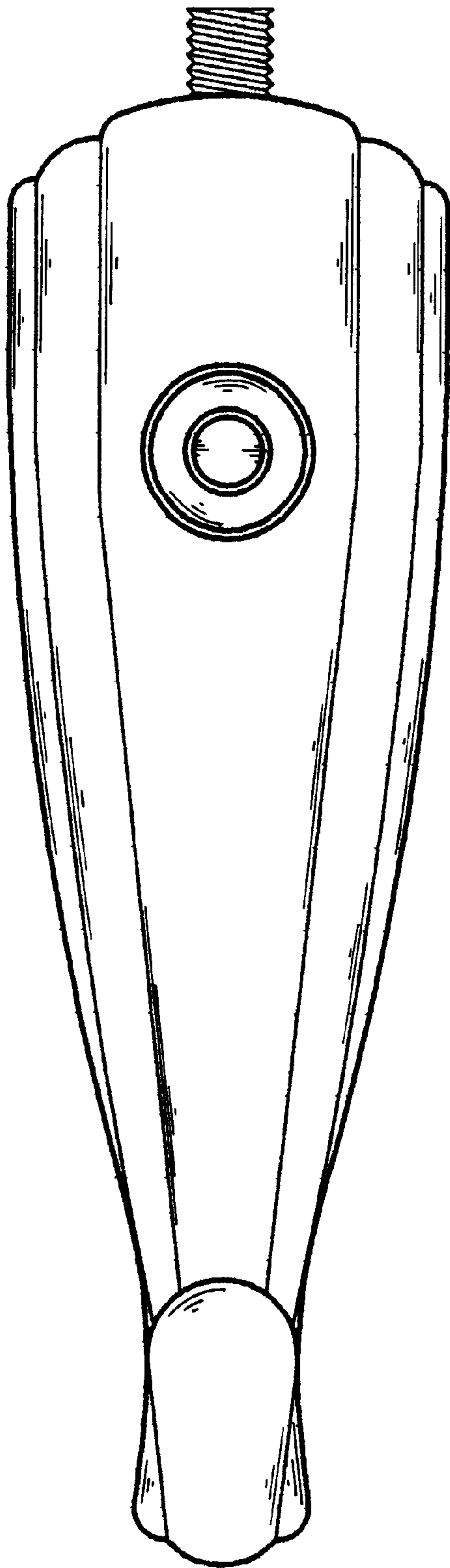


FIG. 4

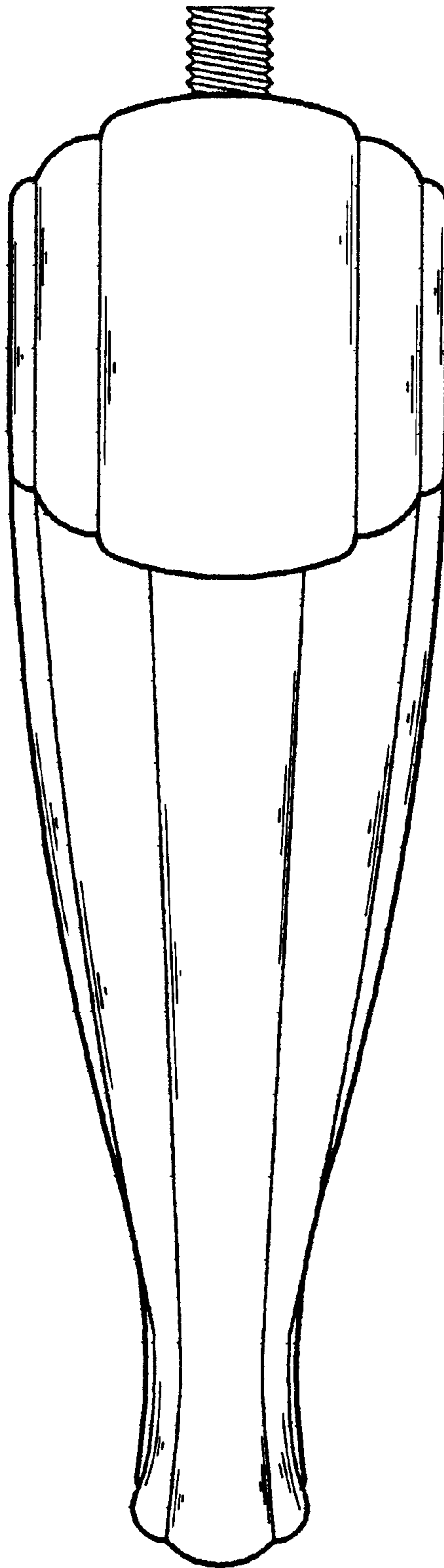


FIG. 5

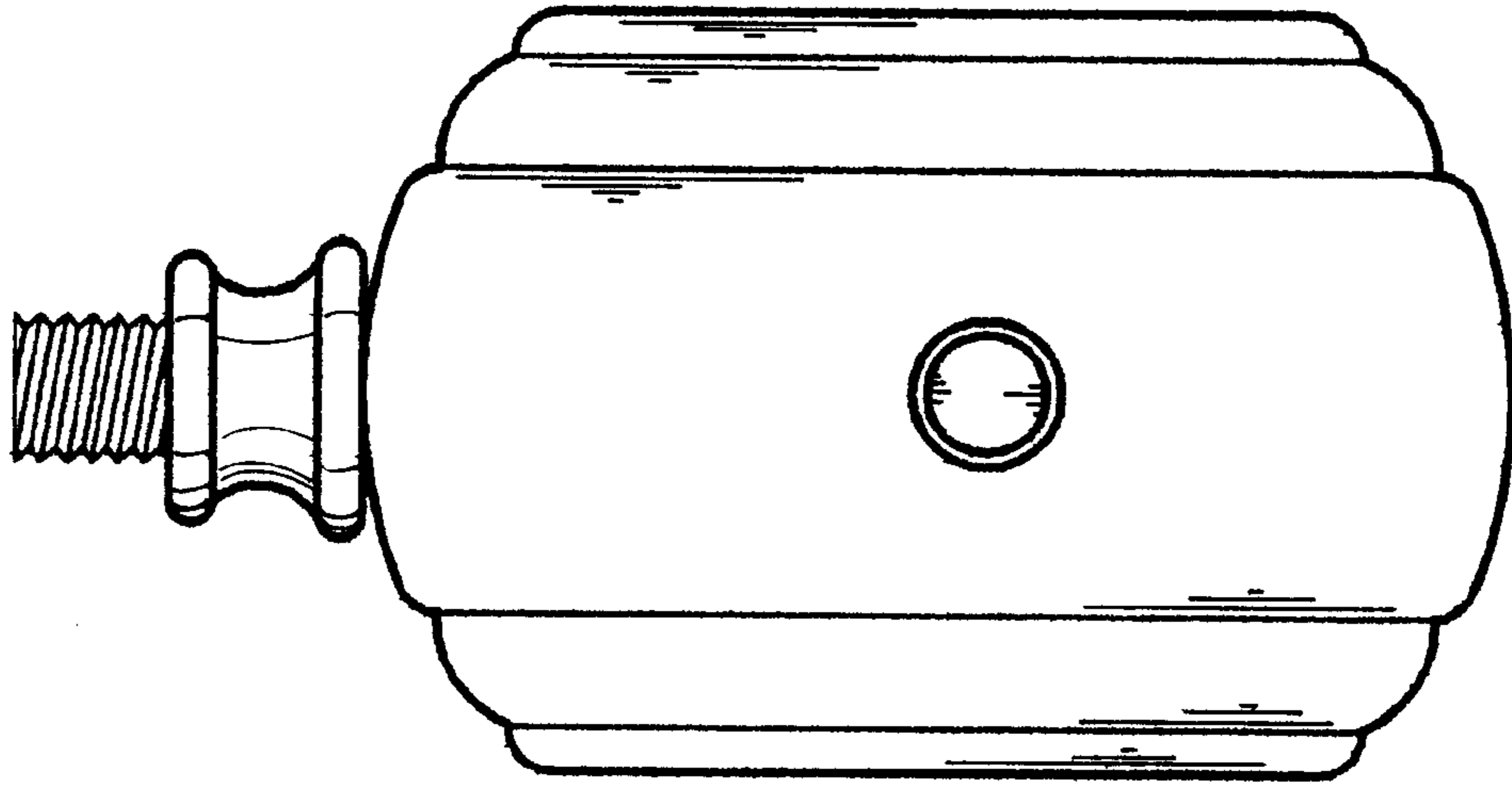


FIG. 6

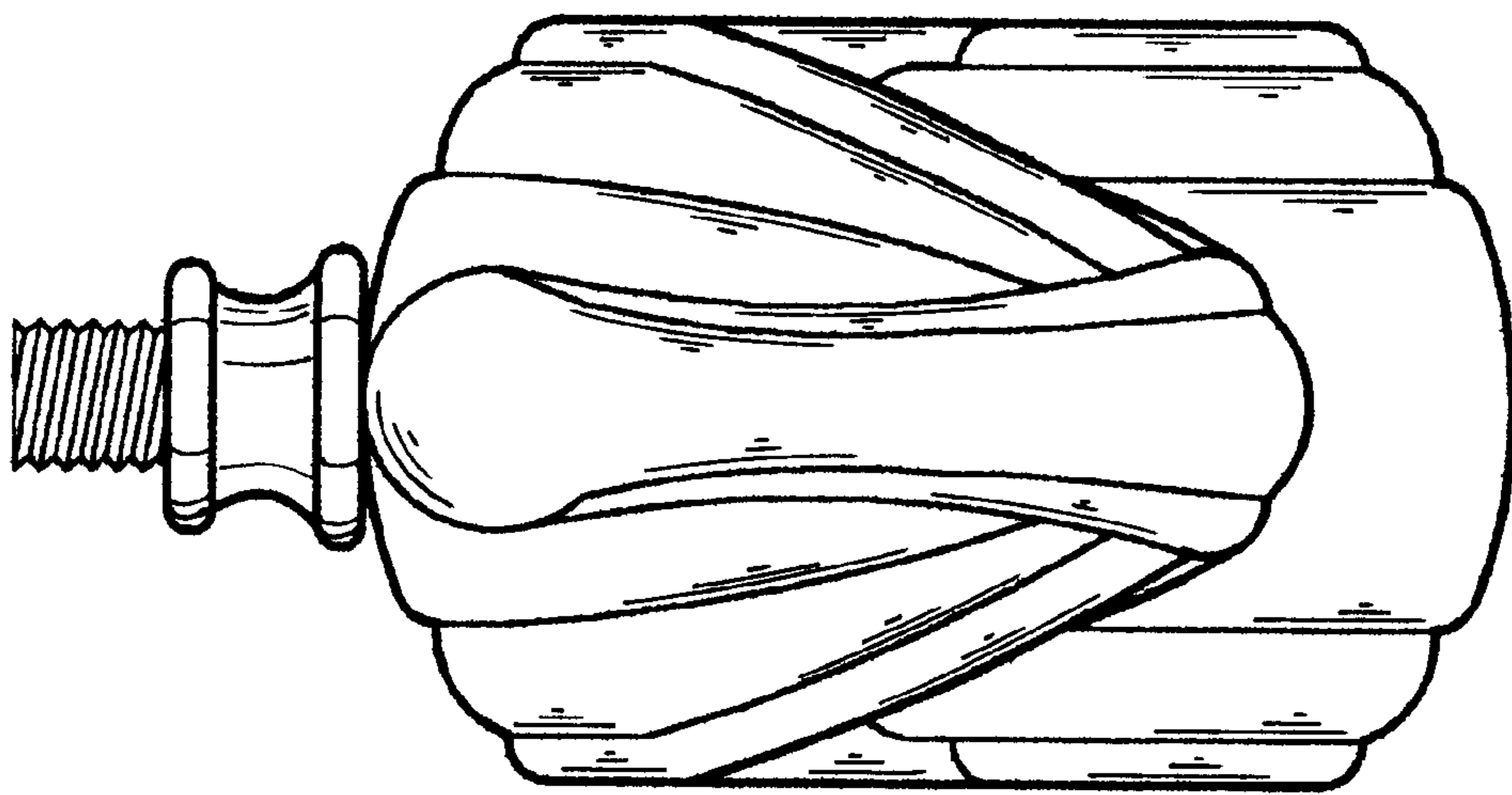


FIG. 7