



US00D460209S

(12) **United States Design Patent**  
**Kovach et al.**

(10) **Patent No.:** **US D460,209 S**  
(45) **Date of Patent:** **\*\* Jul. 9, 2002**

(54) **BALLAST HOUSING FOR LIGHTING  
FIXTURE**

(75) Inventors: **Jeremy J. Kovach**, Arden; **Kenneth A.  
Lane**, Hendersonville, both of NC (US)

(73) Assignee: **General Electric Company**,  
Schenectady, NY (US)

(\*\*) Term: **14 Years**

(21) Appl. No.: **29/132,206**

(22) Filed: **Nov. 3, 2000**

(51) **LOC (7) Cl.** ..... **26-99**

(52) **U.S. Cl.** ..... **D26/118**

(58) **Field of Search** ..... D26/113, 118-137;  
362/297, 341, 362, 364, 147

(56) **References Cited**

**U.S. PATENT DOCUMENTS**

D425,652 S \* 5/2000 Brok ..... D26/118

\* cited by examiner

*Primary Examiner*—Jennifer Rivard

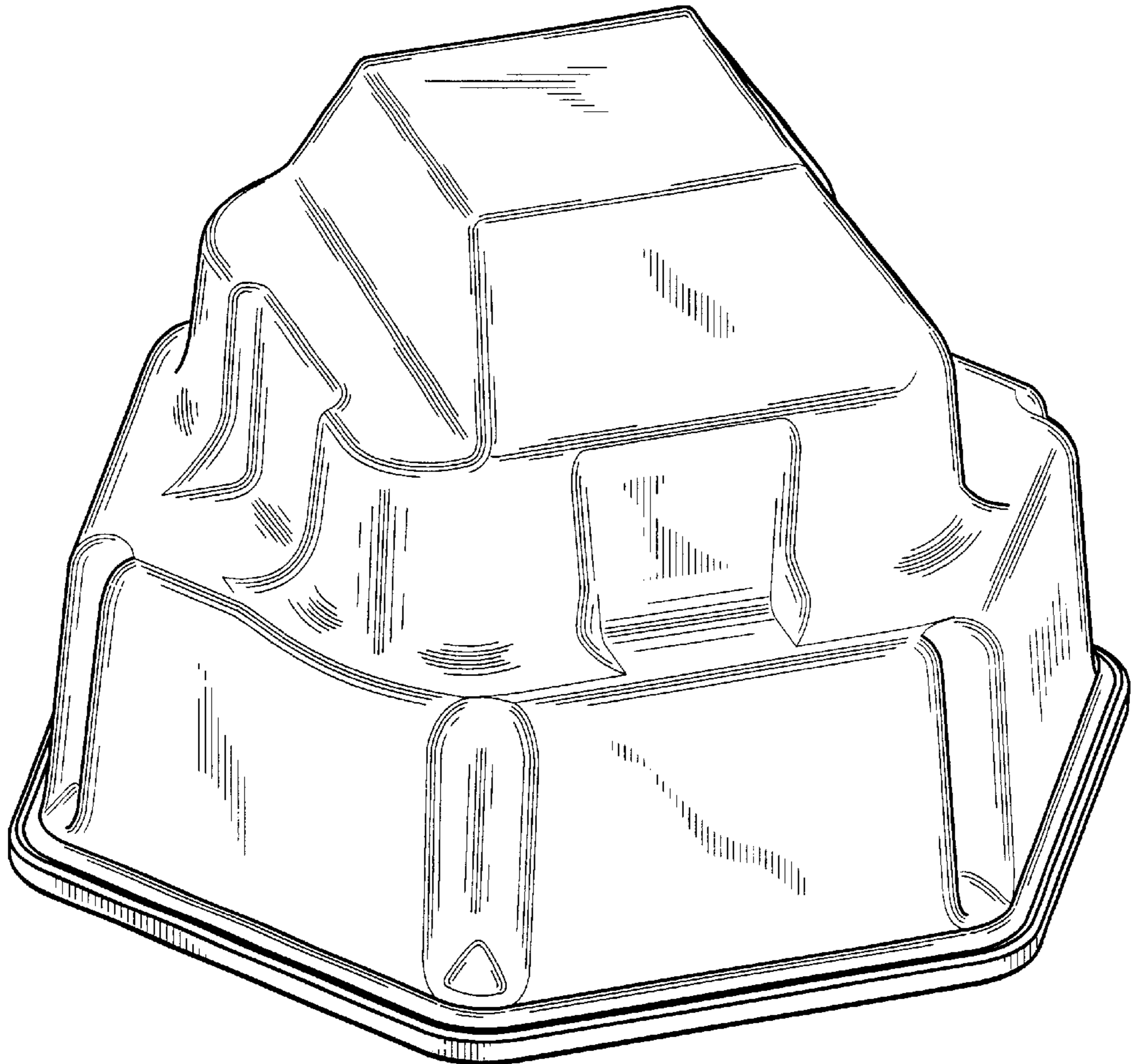
(57) **CLAIM**

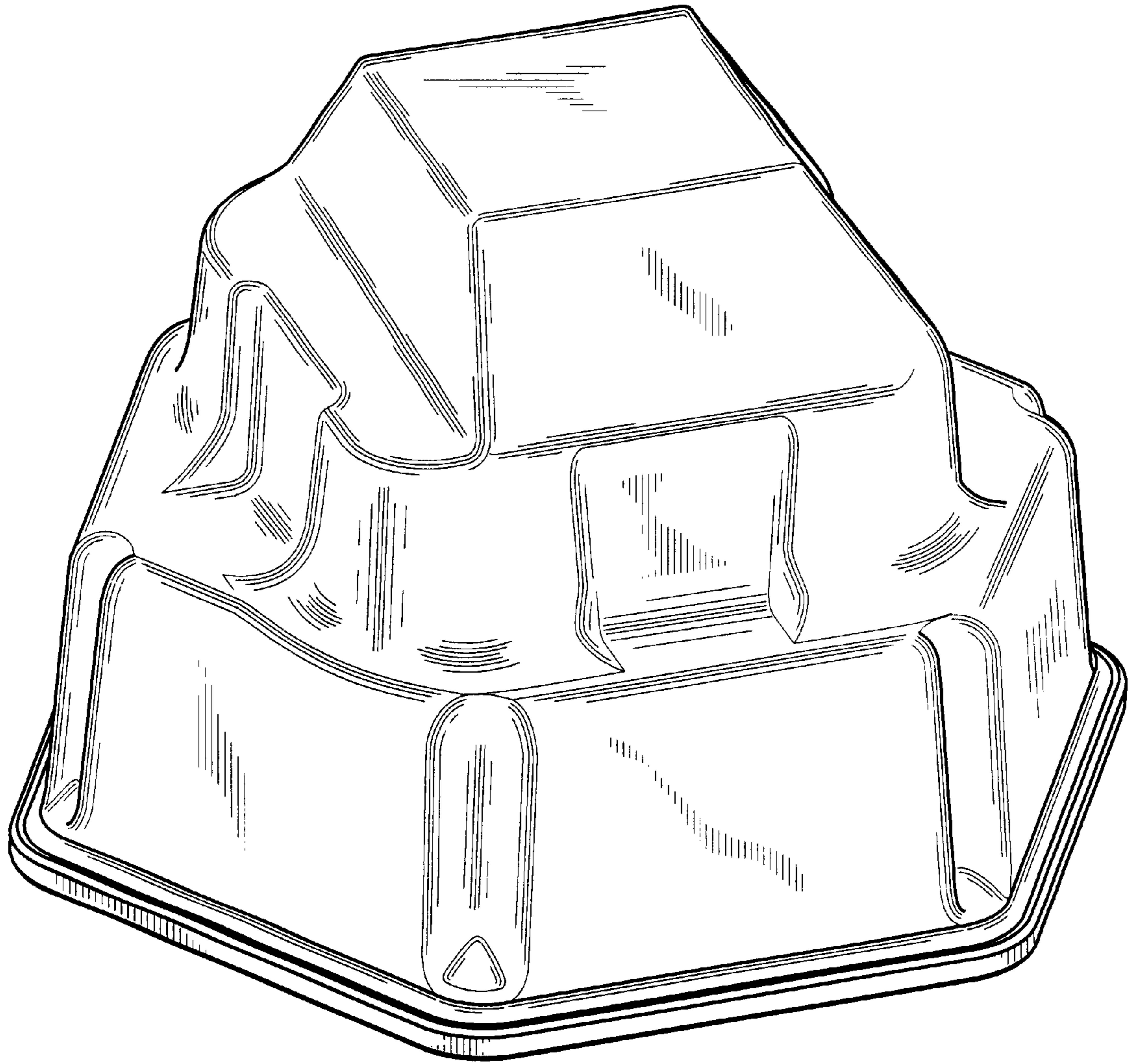
The ornamental design for a ballast housing for lighting fixture, as shown.

**DESCRIPTION**

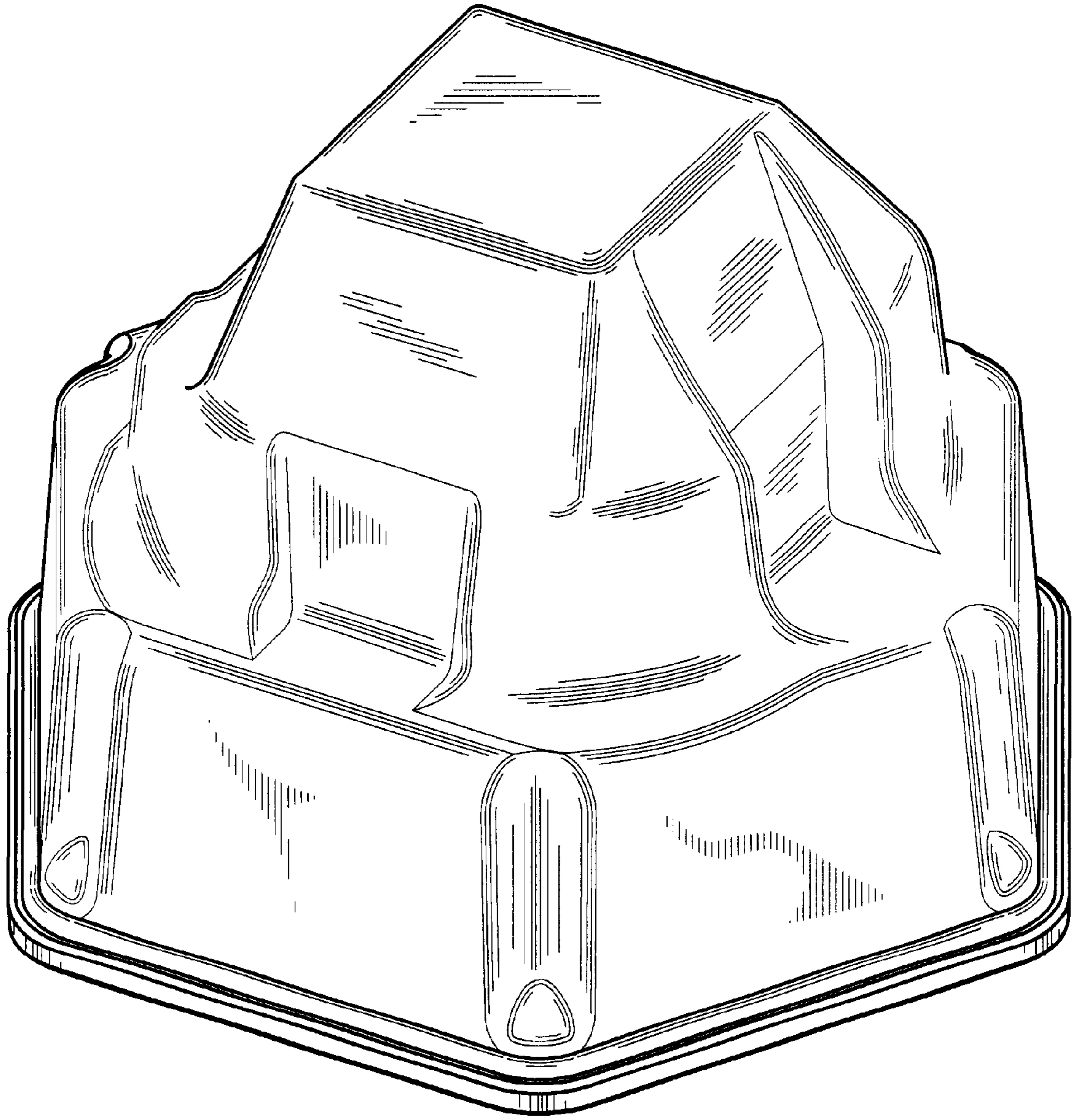
FIG. 1 is a three-dimensional view, generally from the top right front, of a ballast housing, showing our new design; FIG. 2 is a three-dimensional view, generally from the top right rear, thereof; FIG. 3 is a three-dimensional view, generally from the top right front, thereof; FIG. 4 is a three-dimensional view, generally from the top rear, thereof; FIG. 5 is a top plan view thereof; FIG. 6 is a bottom plan view thereof; FIG. 7 is a left side elevational view thereof; FIG. 8 is a right side elevational view thereof; FIG. 9 is a front elevational view thereof; and, FIG. 10 is a rear elevational view thereof.

**1 Claim, 10 Drawing Sheets**

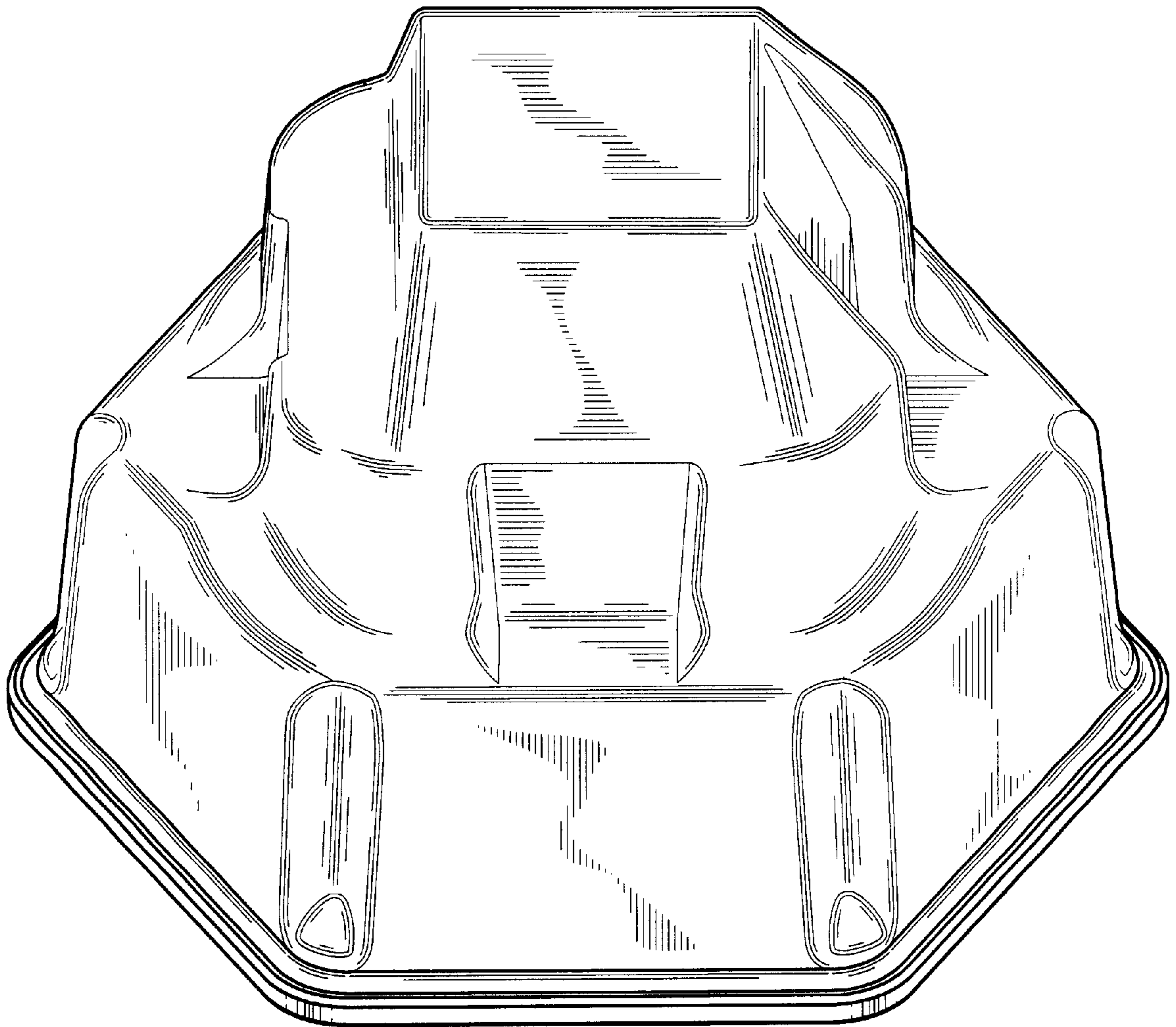




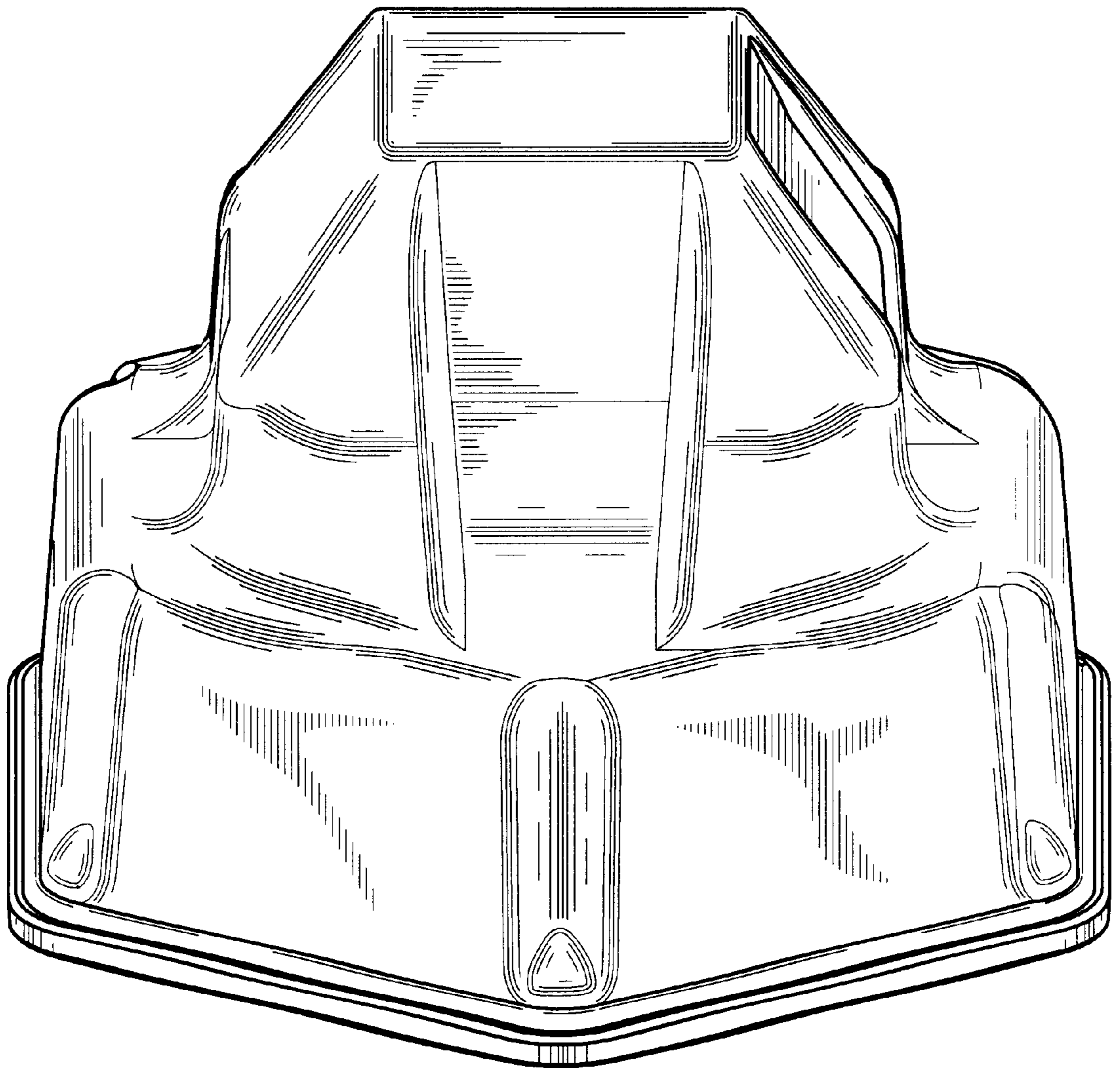
*Fig. 1*



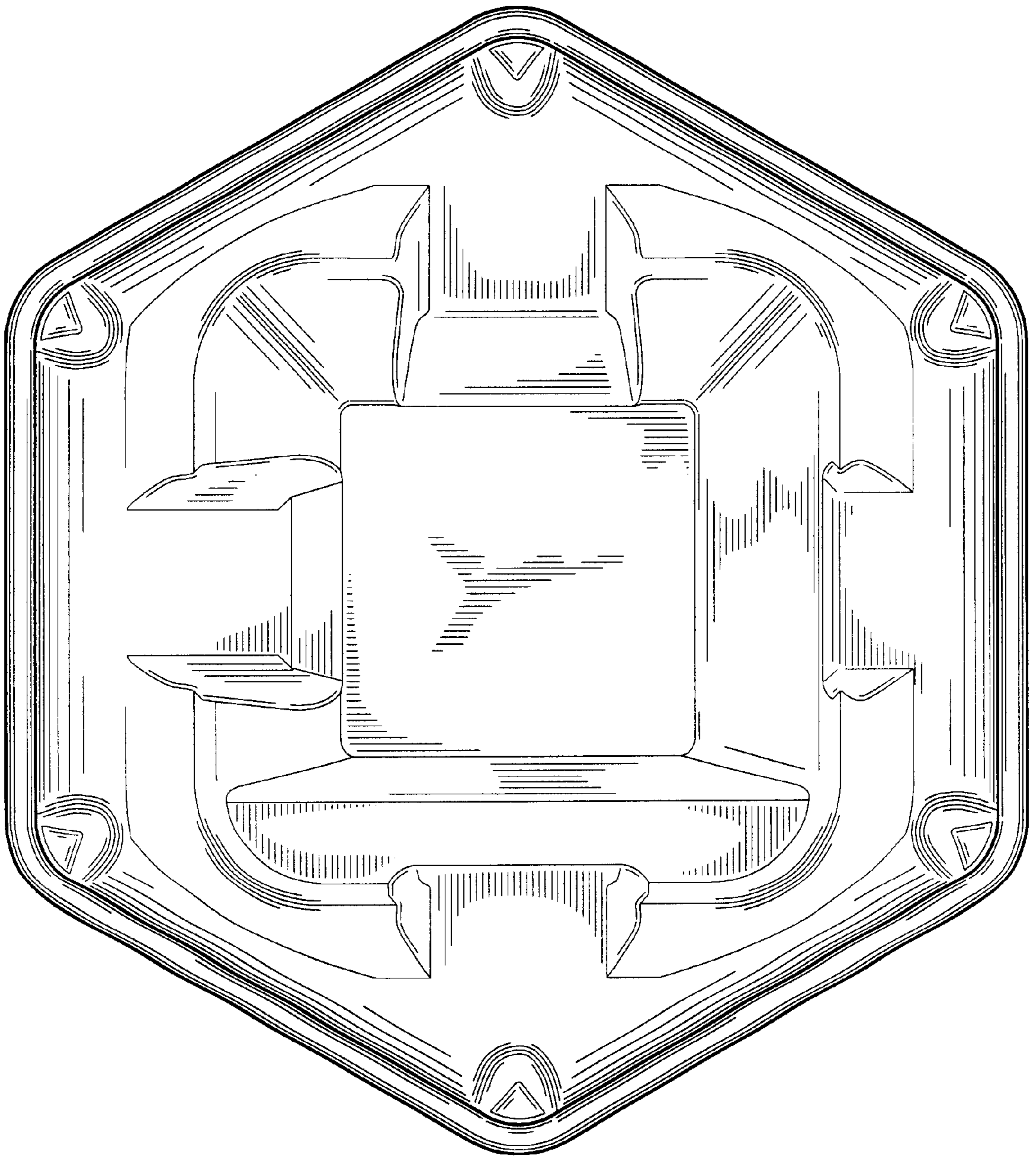
*Fig. 2*



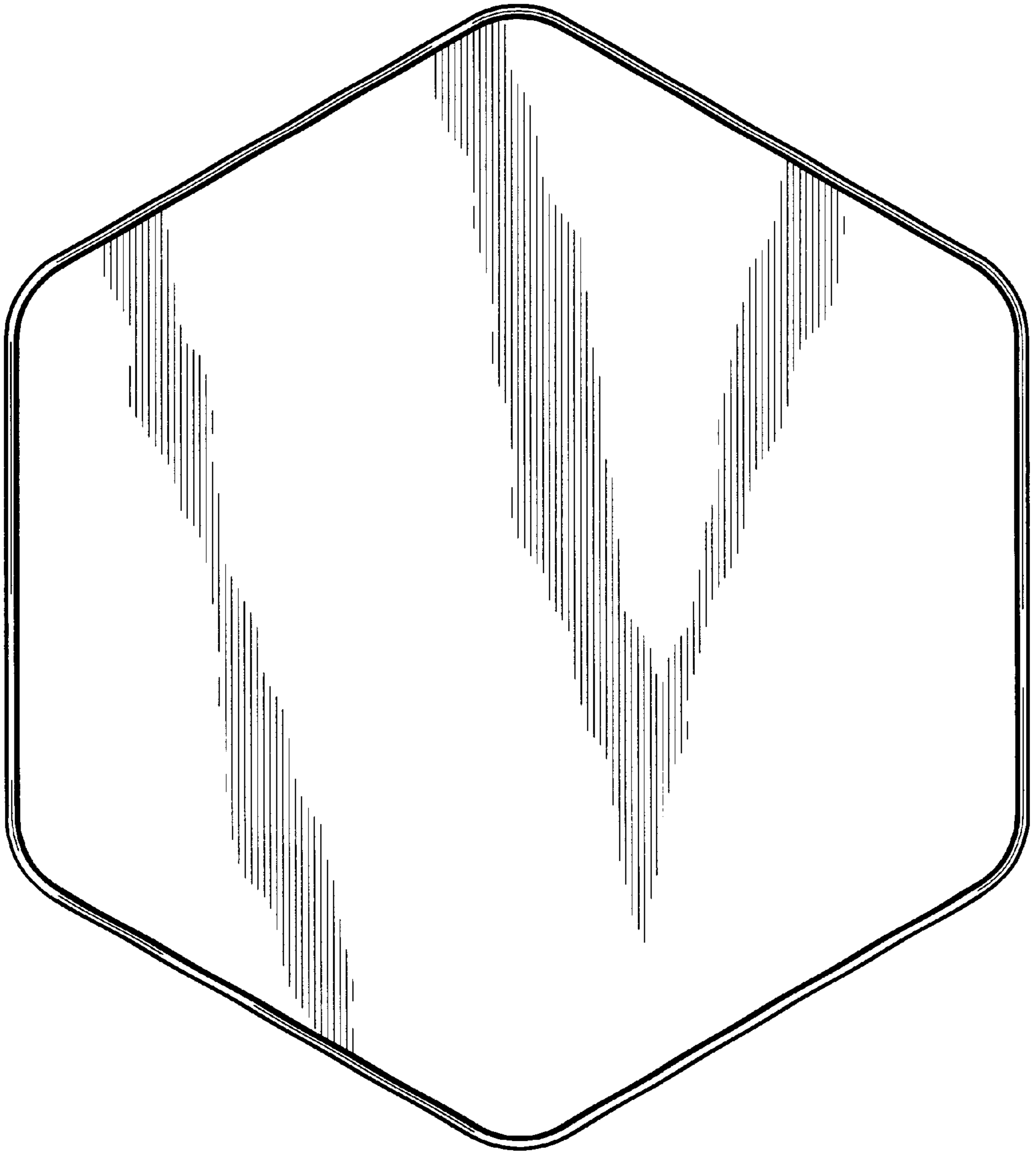
*Fig. 3*



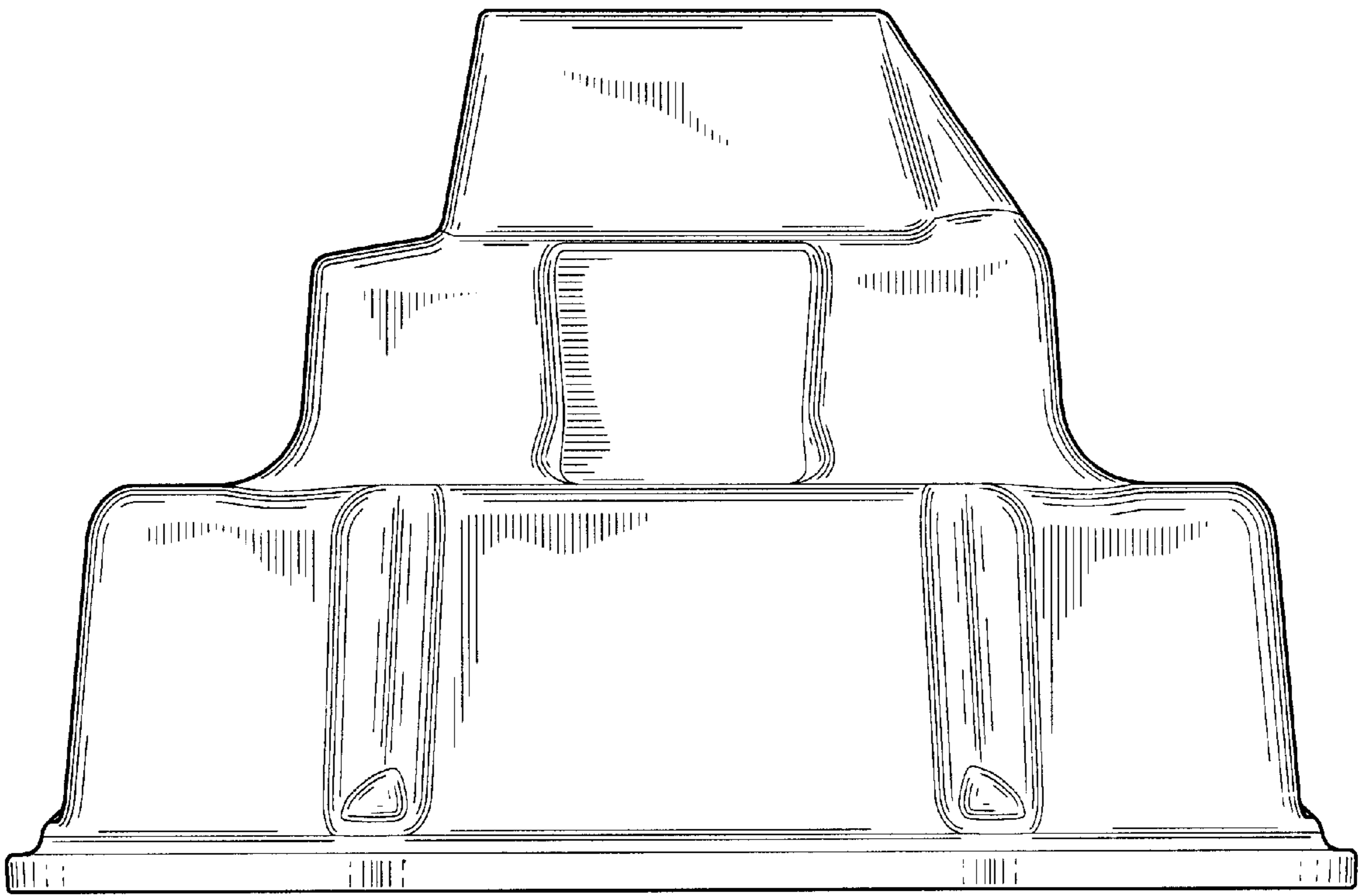
*Fig. 4*



*Fig. 5*

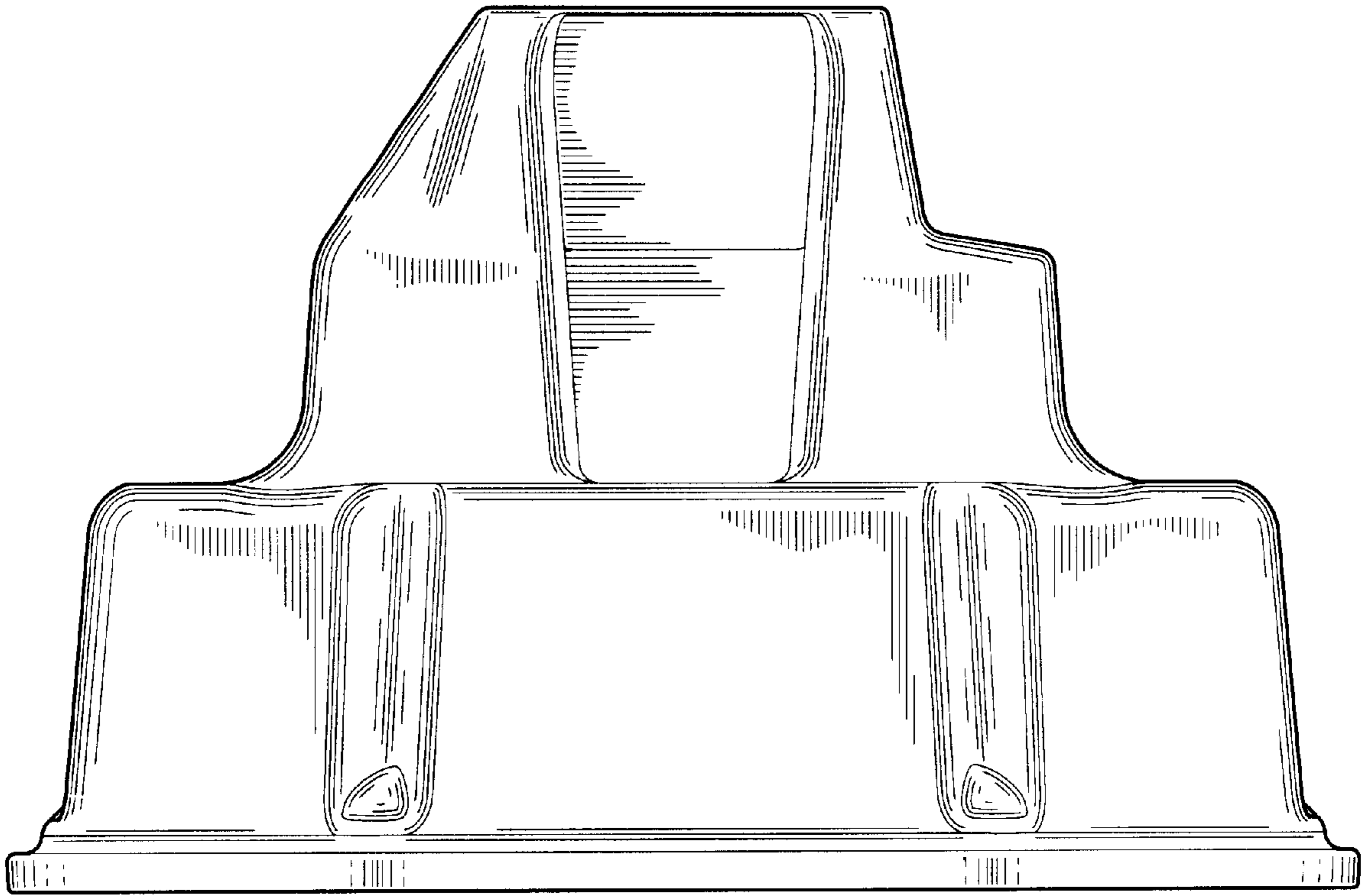


*Fig. 6*

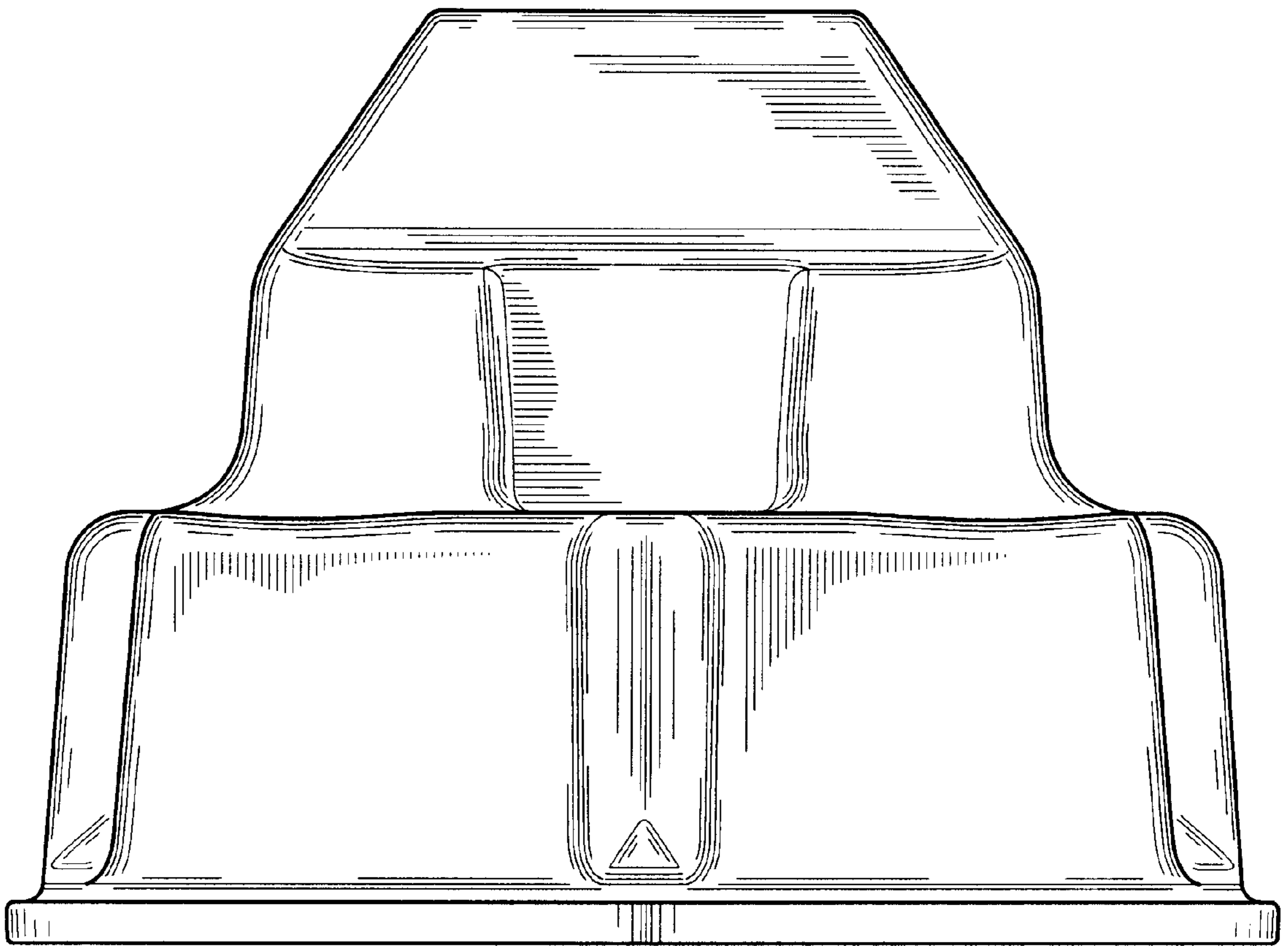


*Fig. 7*

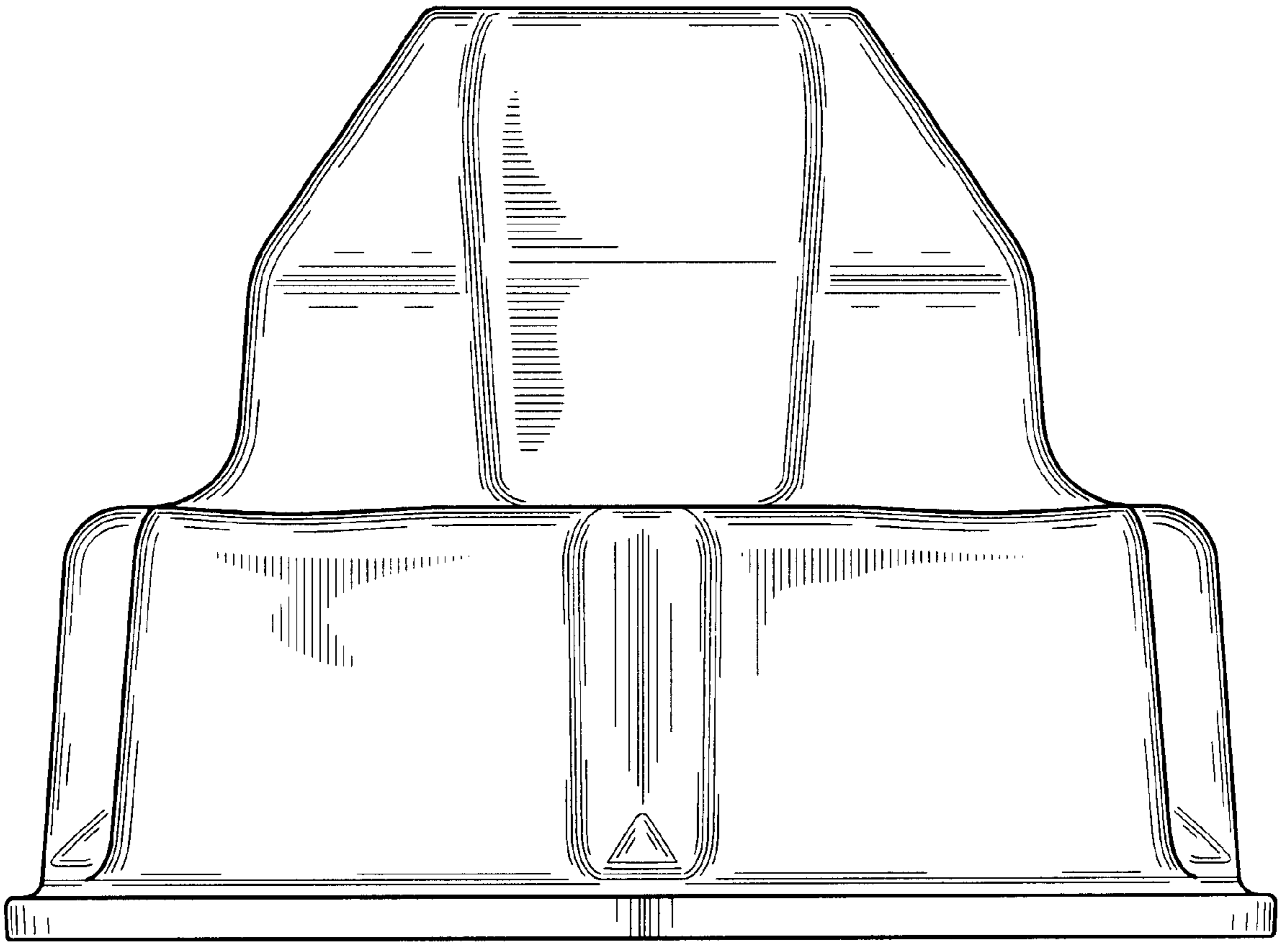




*Fig. 8*



*Fig. 9*



*Fig. 10*