



US00D460207S

(12) **United States Design Patent**  
**Krieger et al.**

(10) **Patent No.:** **US D460,207 S**

(45) **Date of Patent:** **\*\* Jul. 9, 2002**

(54) **SPOT LIGHT WITH HANDLE AND STAND**

(75) Inventors: **Michael Krieger**, Miami Beach; **Kevin Ellsworth**, Hollywood, both of FL (US)

(73) Assignee: **Vector Products, Inc.**, Ft. Lauderdale, FL (US)

(\*\*) Term: **14 Years**

(21) Appl. No.: **29/144,224**

(22) Filed: **Jun. 29, 2001**

(51) **LOC (7) Cl.** ..... **26-02**

(52) **U.S. Cl.** ..... **D26/45**

(58) **Field of Search** ..... D26/37-50; 362/157,  
362/158, 171, 173, 181-208

(56) **References Cited**

**U.S. PATENT DOCUMENTS**

D431,662 S	*	10/2000	Krieger	.....	D26/45
D434,513 S	*	11/2000	Poon	.....	D26/45
D436,200 S	*	1/2001	Cheong et al.	.....	D26/45
D438,997 S	*	3/2001	Yuen	.....	D26/45
D446,591 S	*	6/2001	Shing	.....	D26/45

\* cited by examiner

*Primary Examiner*—Marcus A. Jackson

(74) *Attorney, Agent, or Firm*—Venable; Robert Kinberg

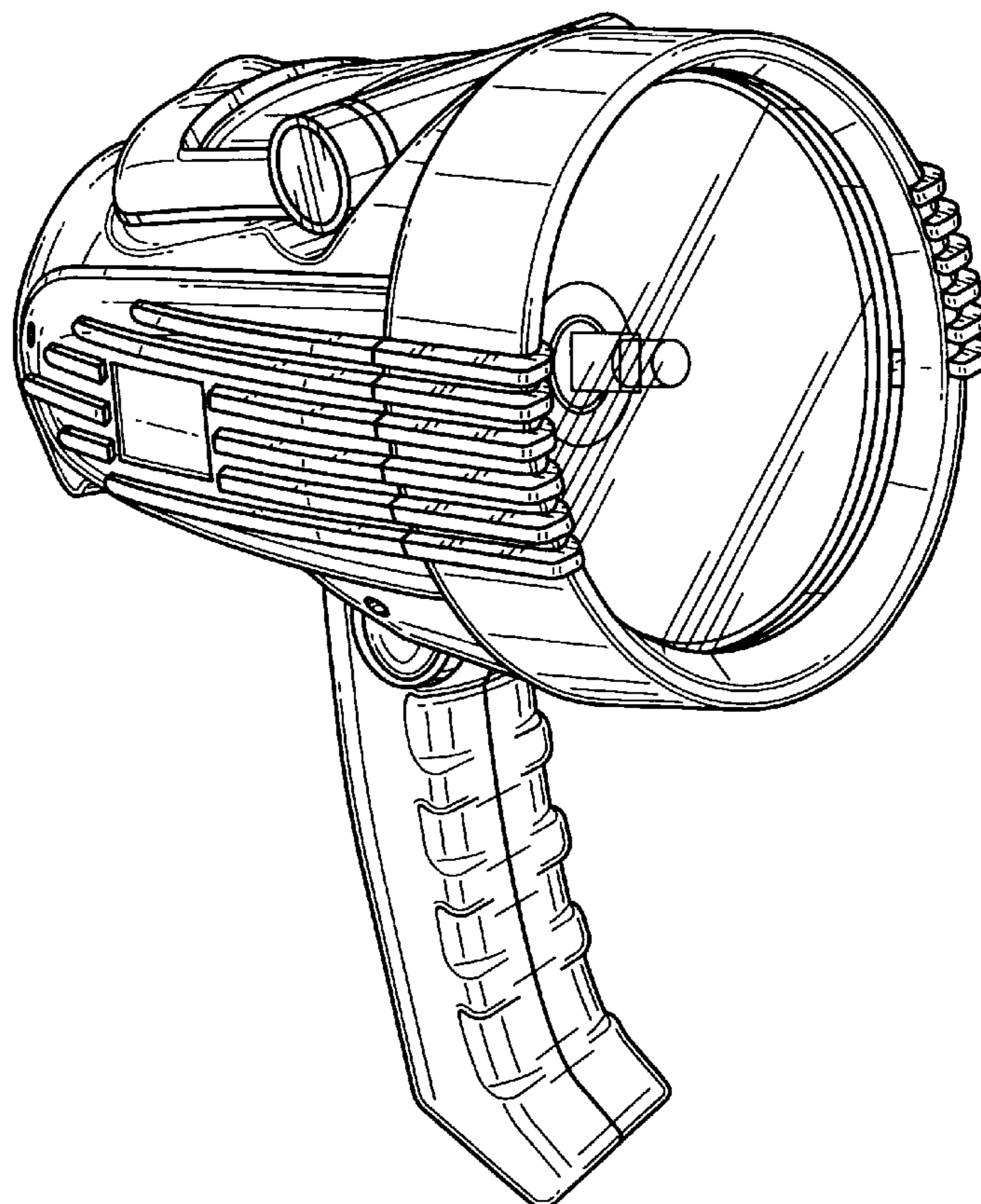
(57) **CLAIM**

The ornamental design for a spot light with handle and stand, as shown and described.

**DESCRIPTION**

FIG. 1 is a perspective view from the front-left-top side of the spot light with handle and stand showing our new design with the handle extended and the stand folded down; FIG. 2 is a front view of the design shown in FIG. 1; FIG. 3 is a rear view of the design shown in FIG. 1; FIG. 4 is a left side view of the design shown in FIG. 1; FIG. 5 is a right side view of the design shown in FIG. 1; FIG. 6 is a top view of the design shown in FIG. 1; FIG. 7 is a bottom view of the design shown in FIG. 1; FIG. 8 is a perspective view from the front-left-top side of the spot light with handle and stand showing our new design with the handle retracted and the stand folded down; FIG. 9 is a front view of the design shown in FIG. 8; FIG. 10 is a rear view of the design shown in FIG. 8; FIG. 11 is a left side view of the design shown in FIG. 8; FIG. 12 is a right side view of the design shown in FIG. 8; FIG. 13 is a top view of the design shown in FIG. 8; FIG. 14 is a bottom view of the design shown in FIG. 8; and, FIG. 15 is a perspective view from the front-right bottom view of shown in FIG. 8 with the stand swiveled out.

**1 Claim, 13 Drawing Sheets**



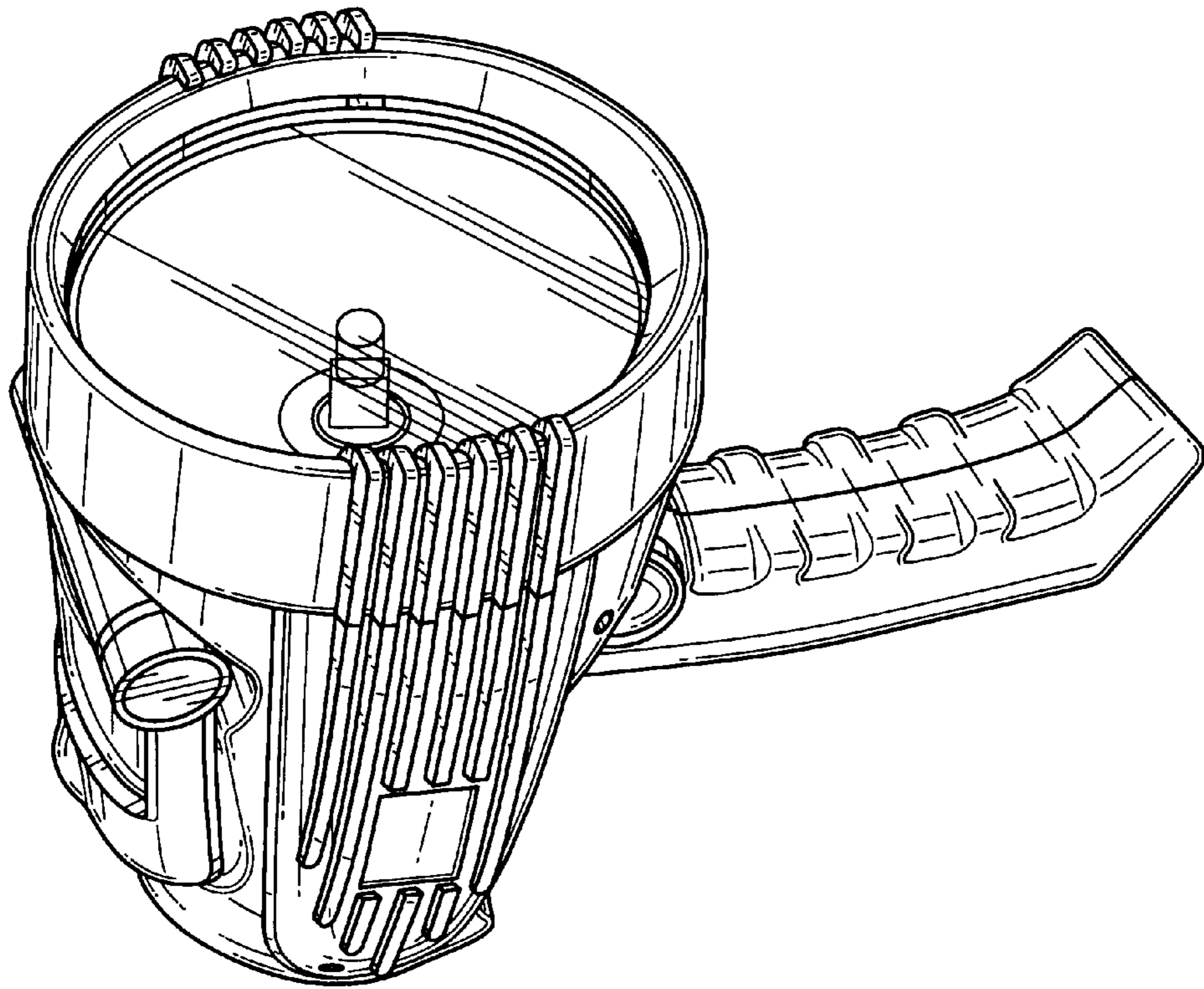


FIG. 1

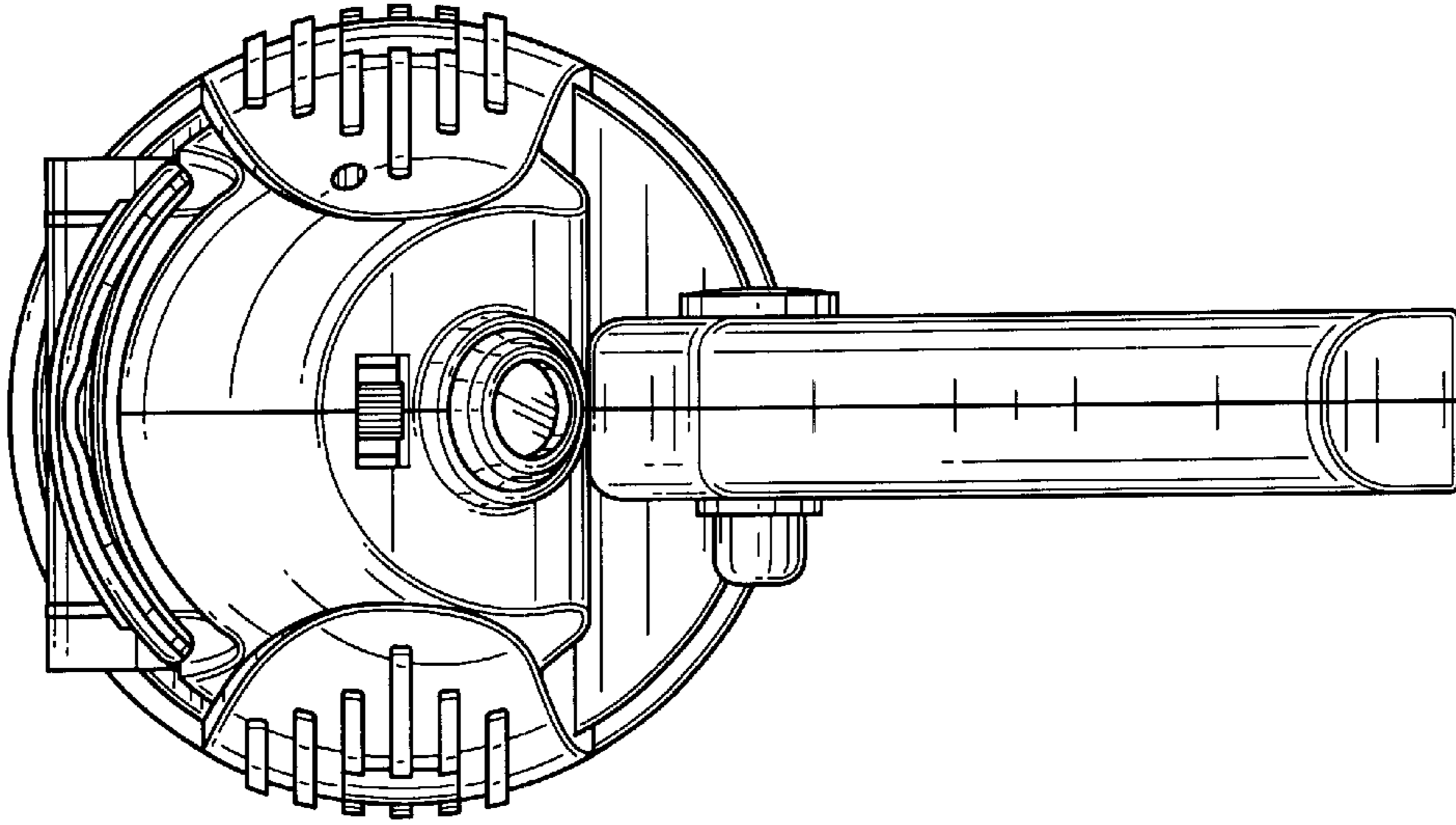


FIG. 3

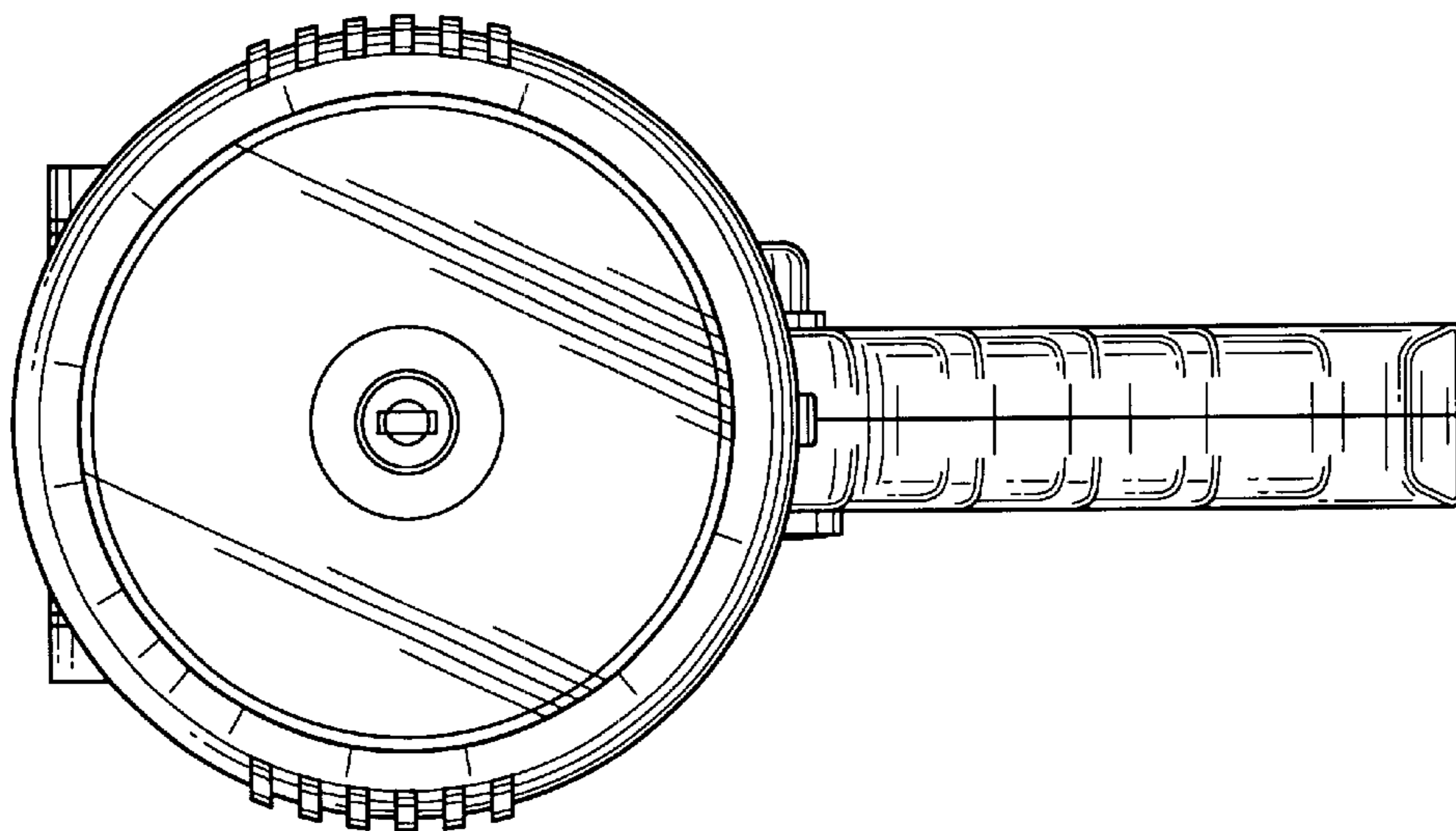


FIG. 2

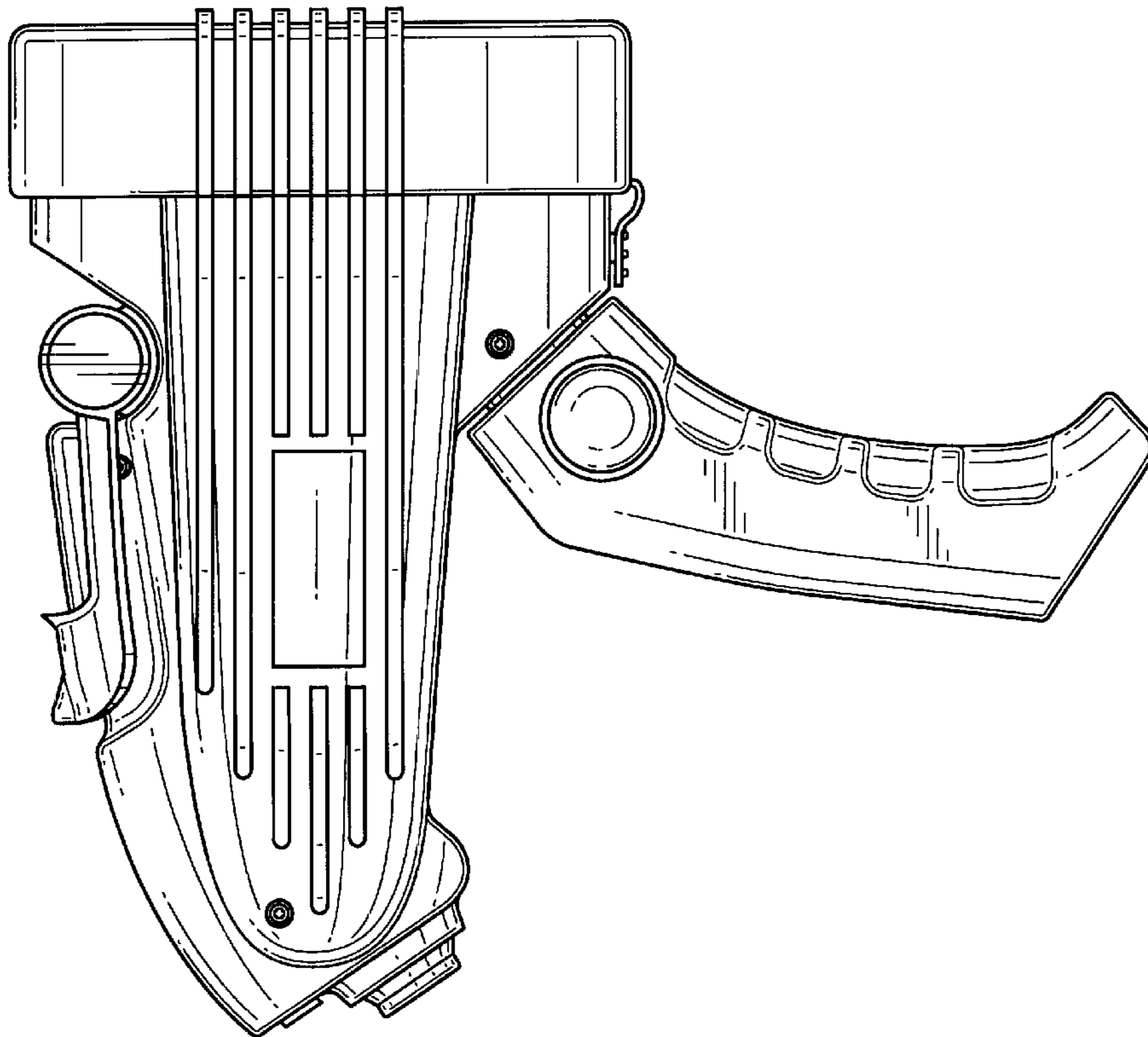


FIG. 4



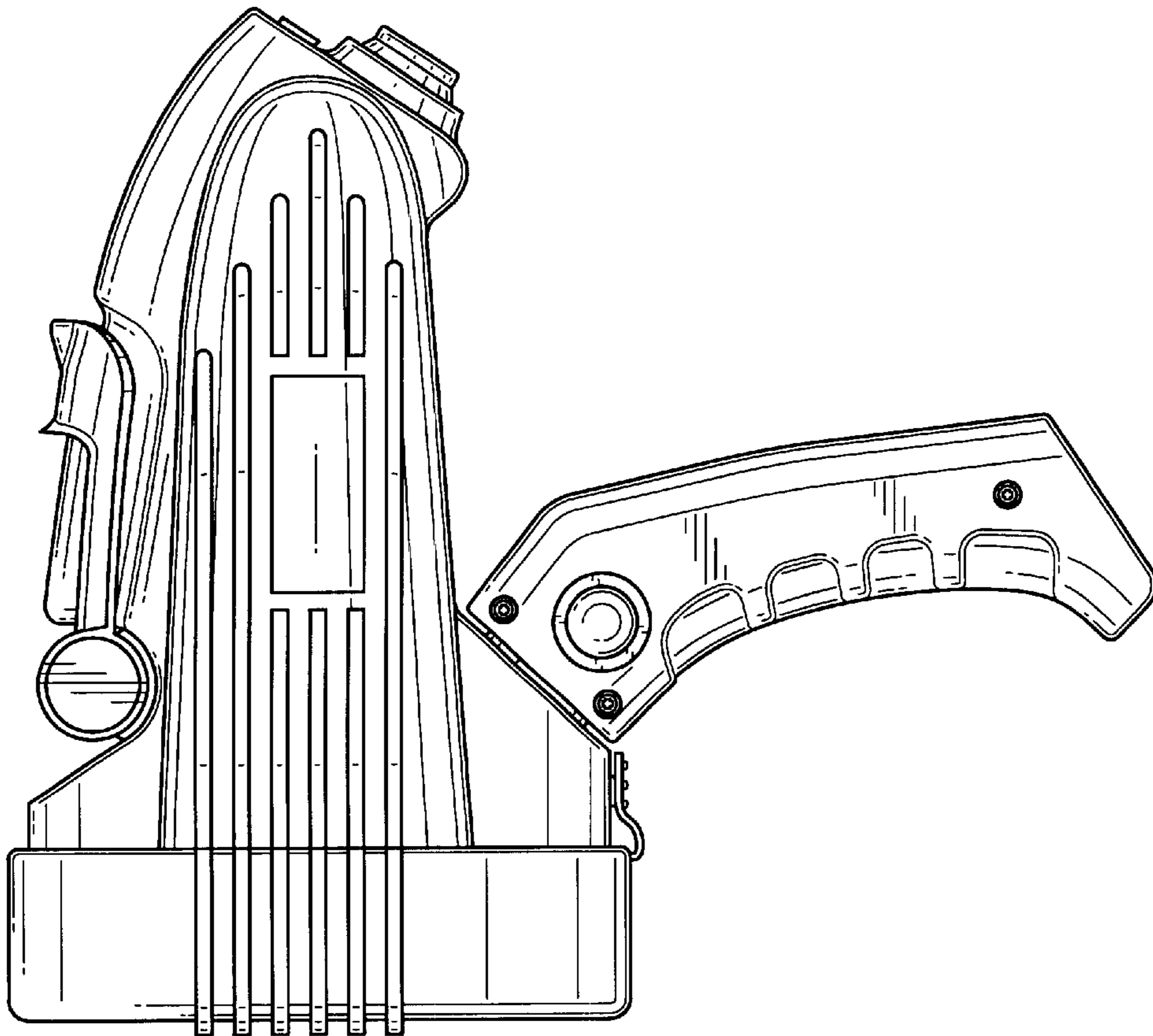


FIG. 5

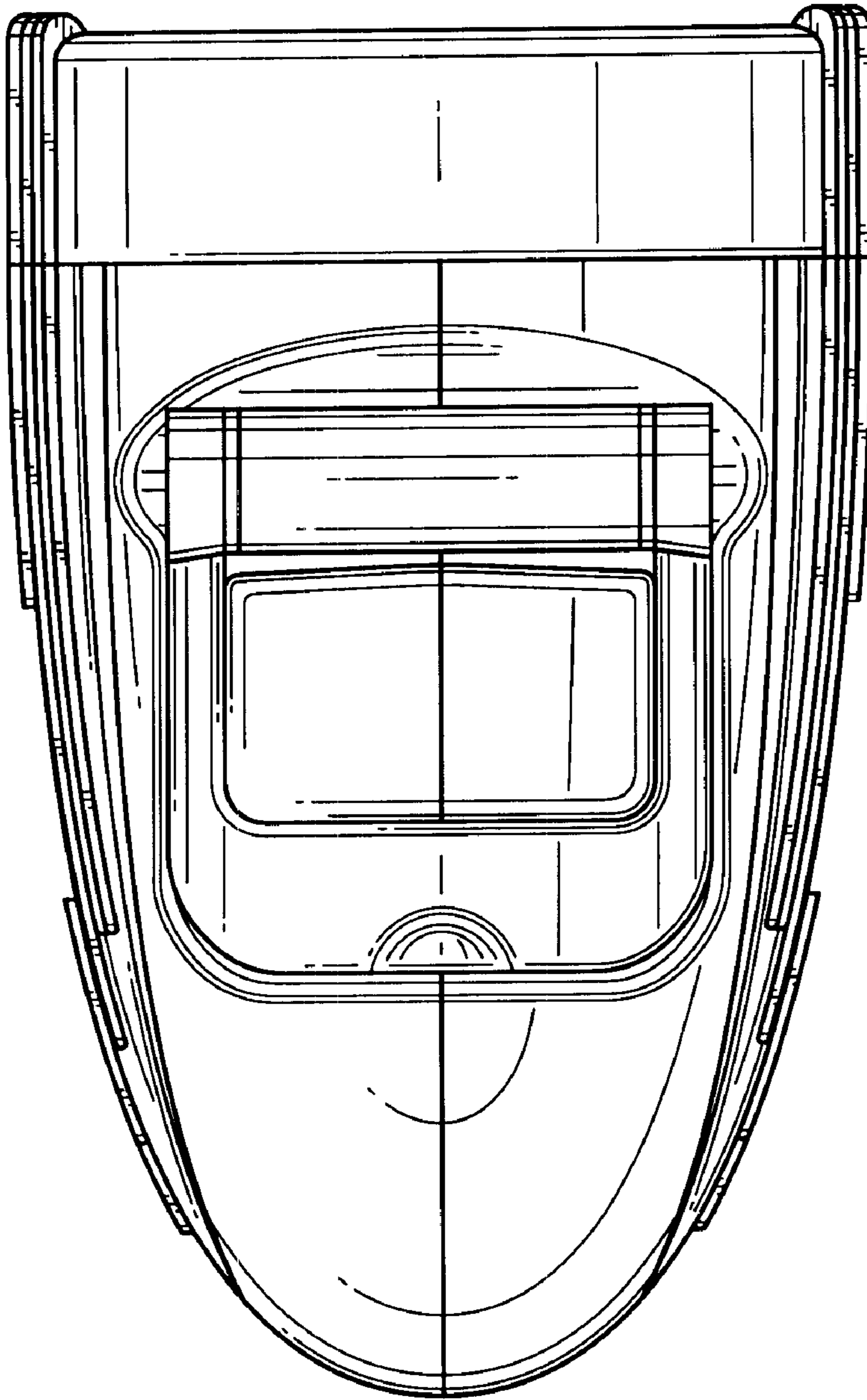


FIG. 6

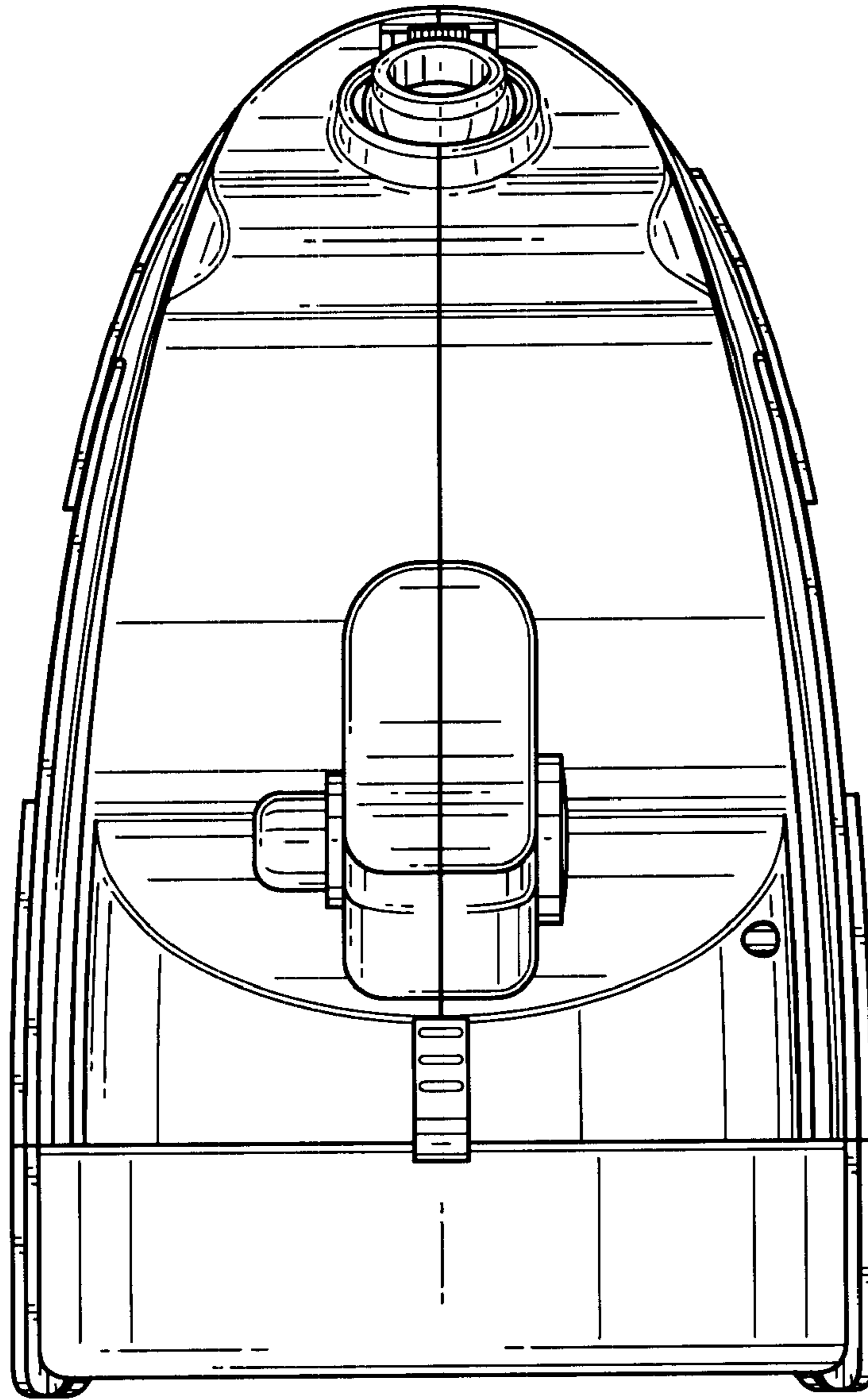


FIG. 7

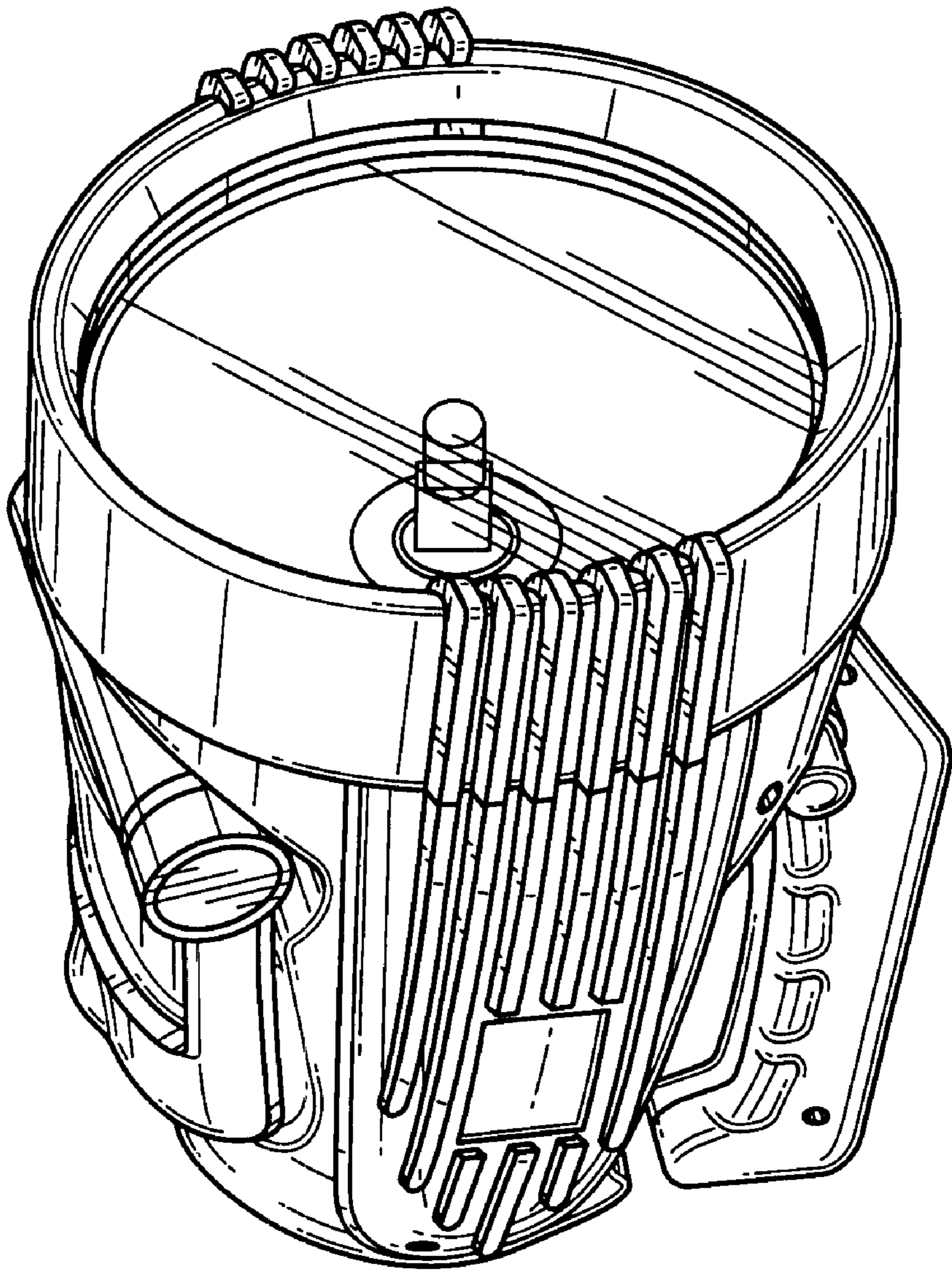


FIG. 8



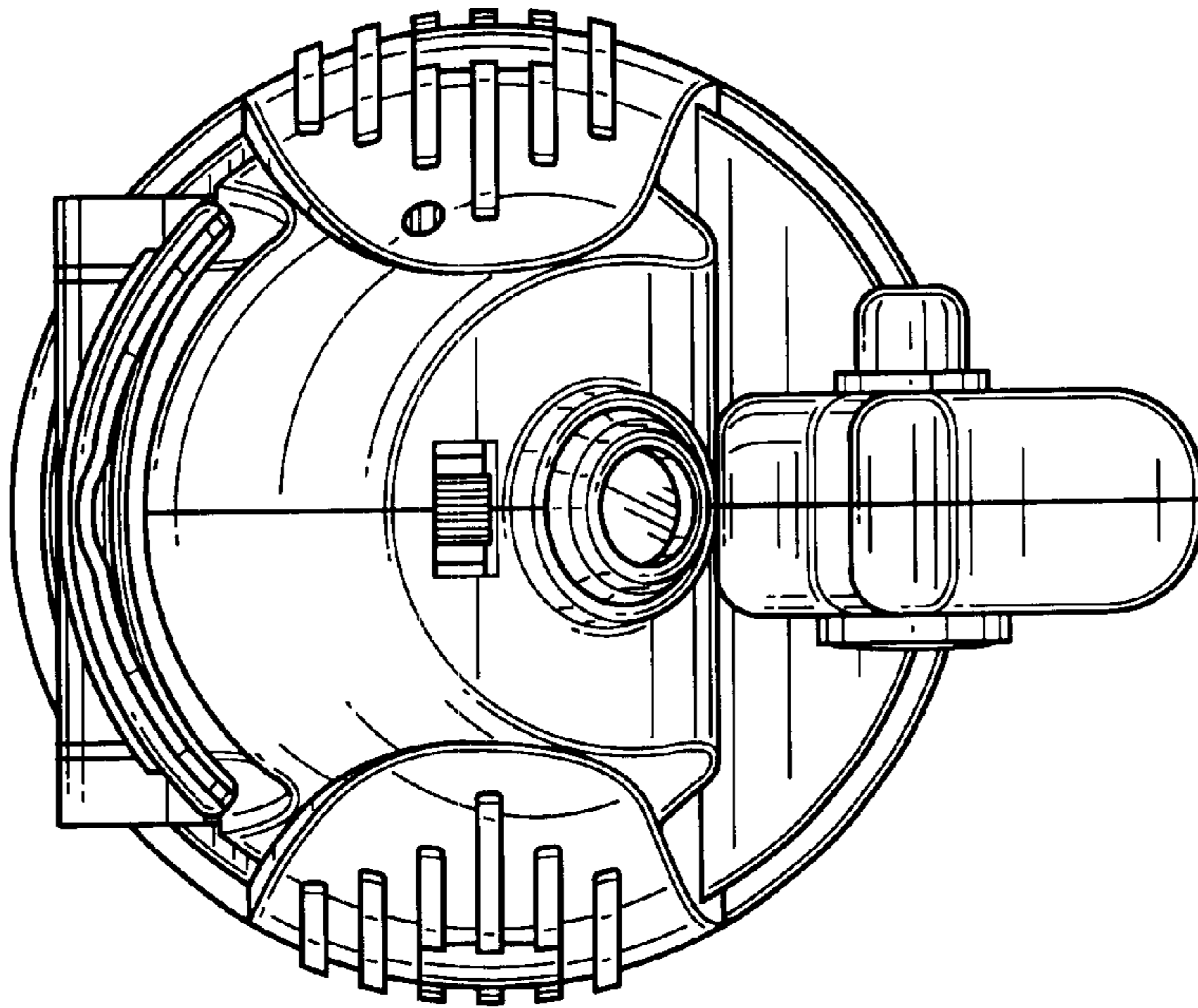


FIG. 10

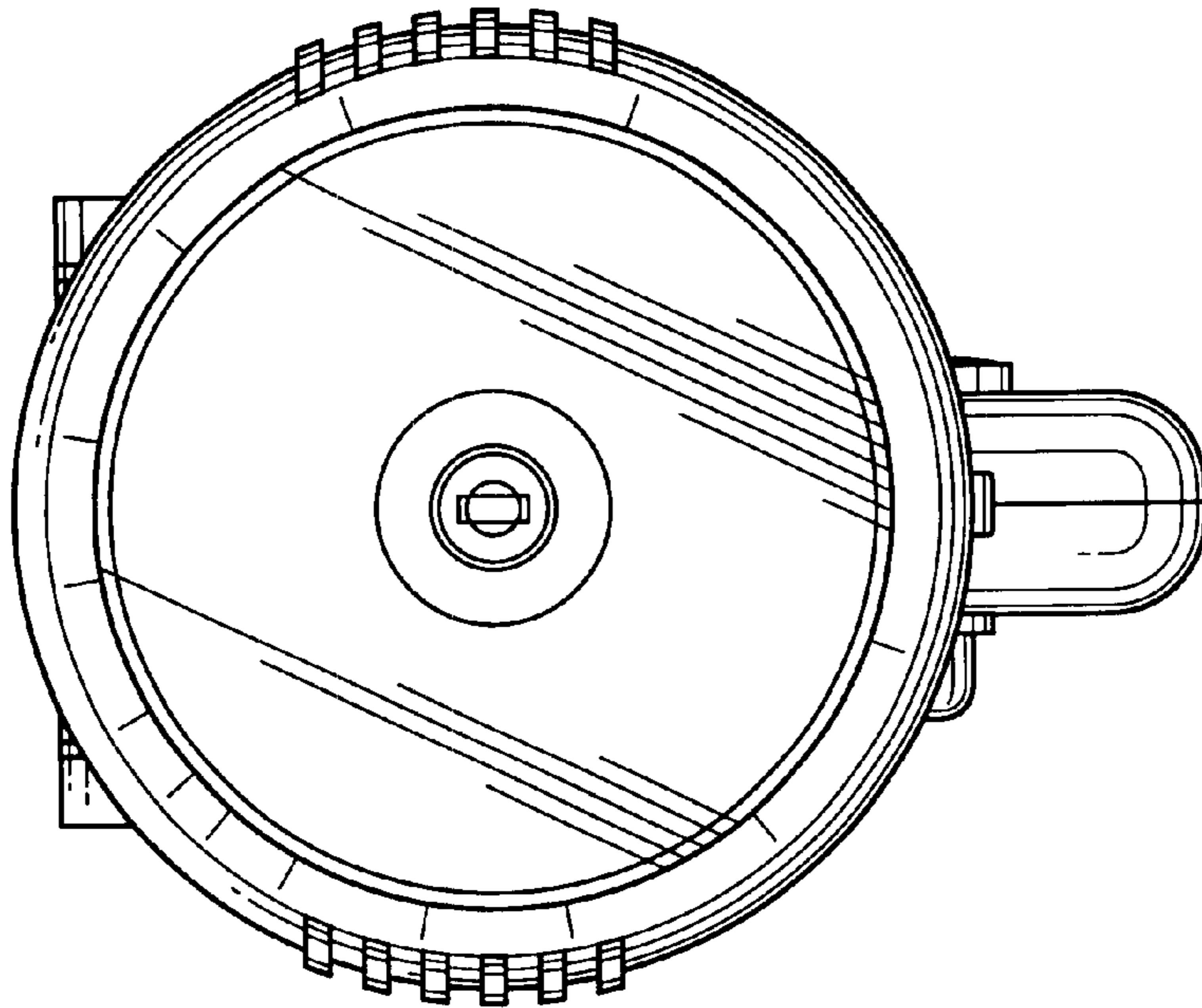


FIG. 9

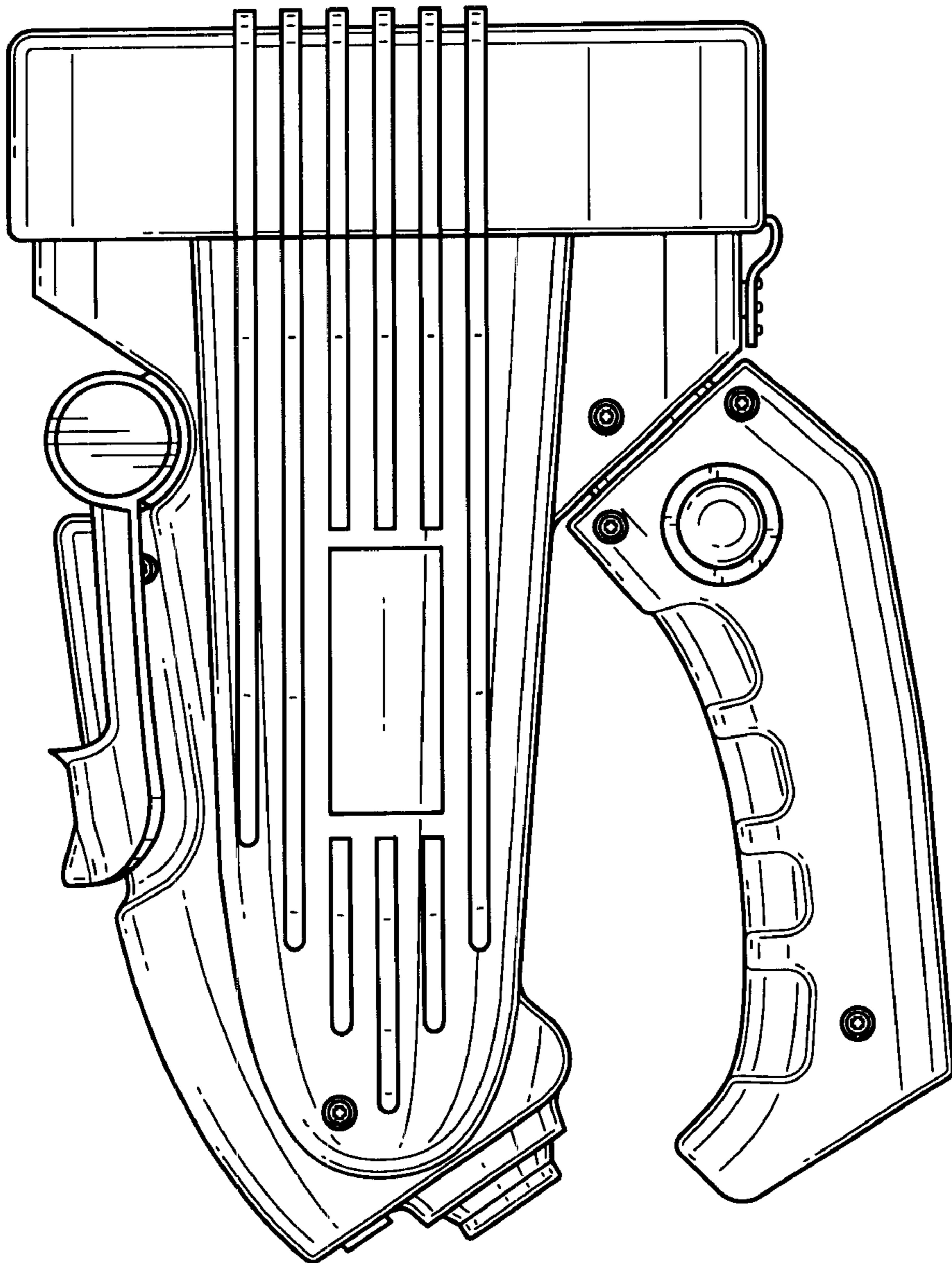


FIG. 11

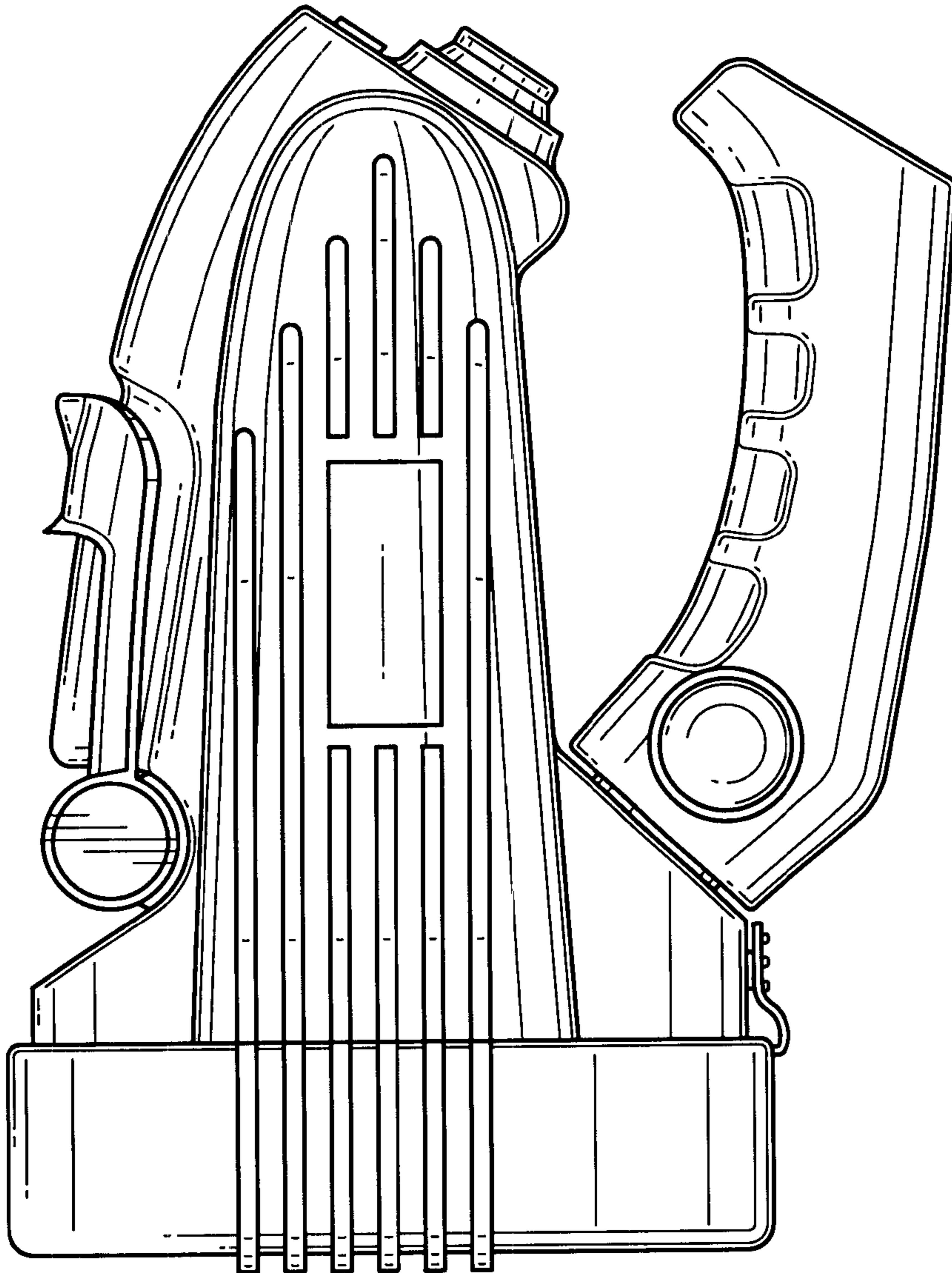


FIG. 12

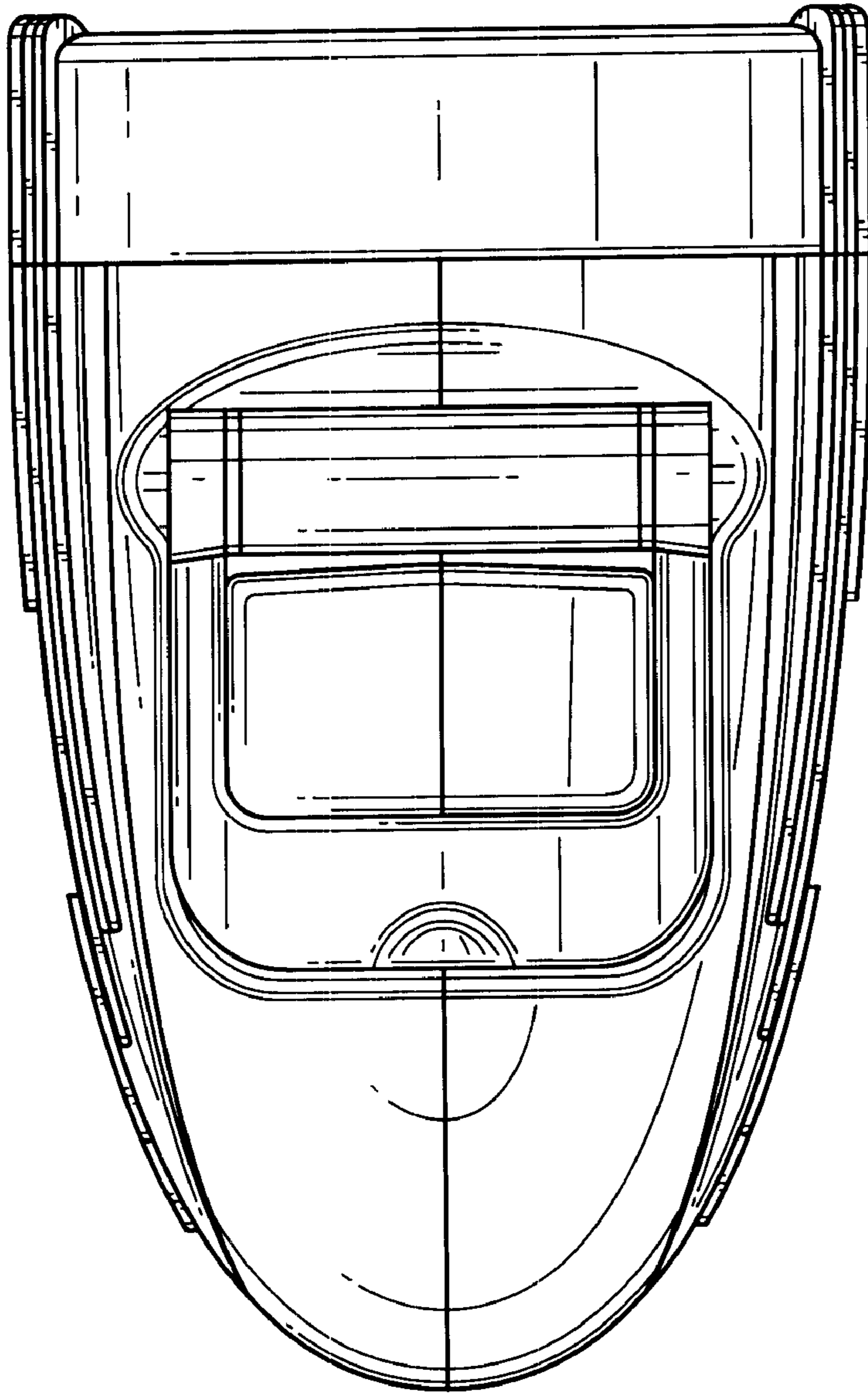


FIG. 13

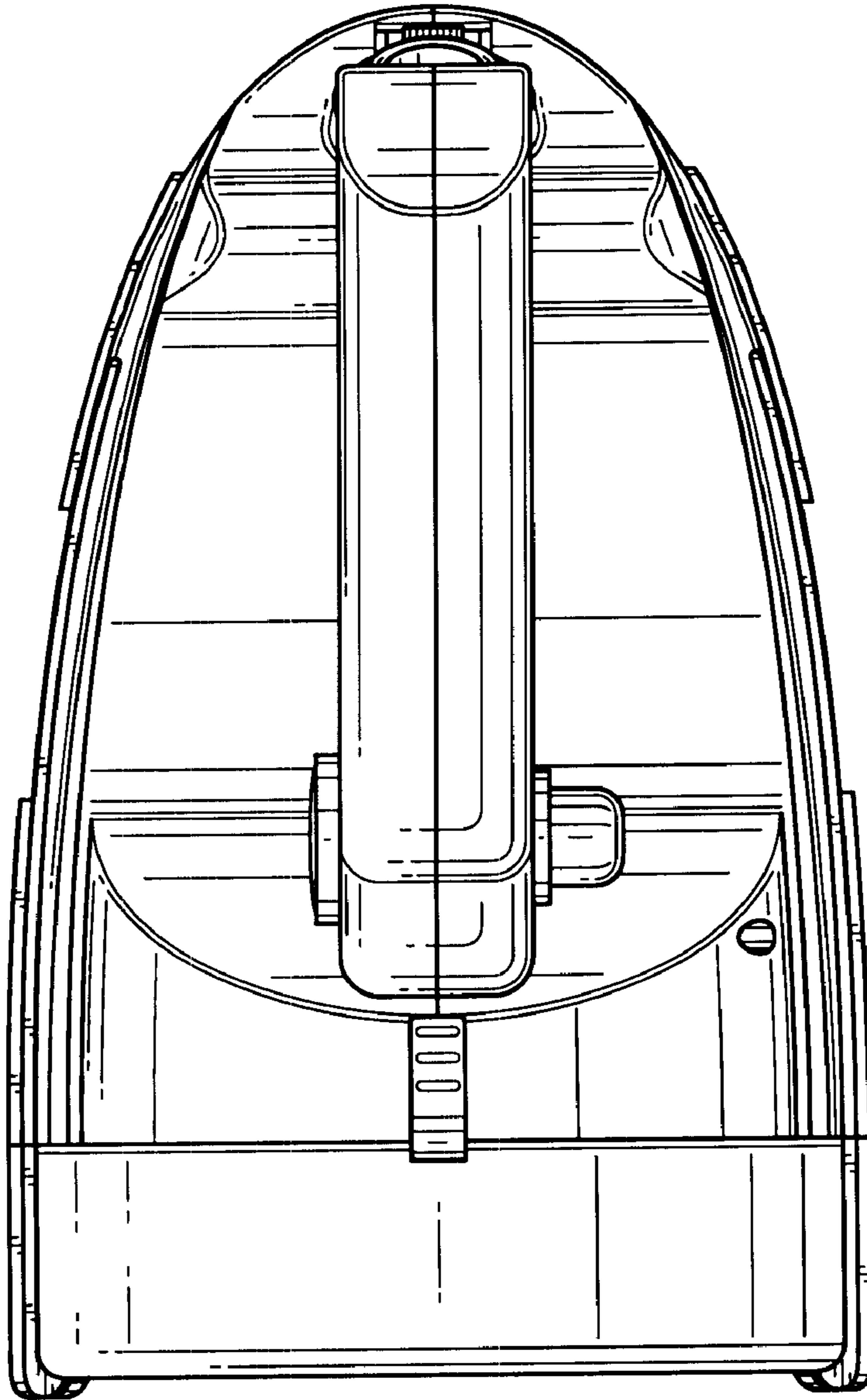


FIG. 14



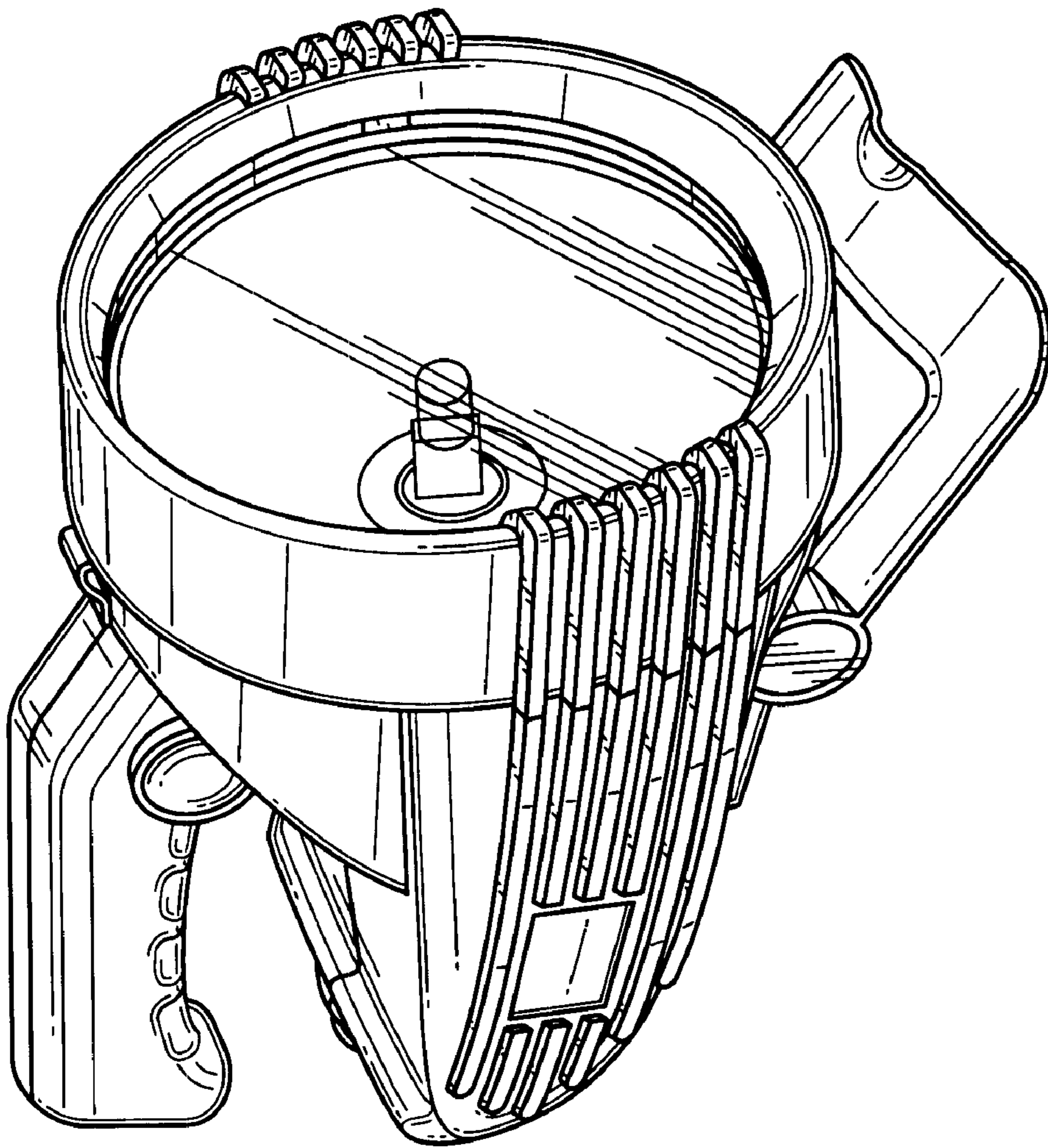


FIG. 15