



US00D460206S

(12) **United States Design Patent**
Brok

(10) **Patent No.:** **US D460,206 S**

(45) **Date of Patent:** **** Jul. 9, 2002**

(54) **LAMP UNIT**

D441,108 S * 4/2001 Poon D26/37
D445,925 S * 7/2001 Parker D26/37

(75) Inventor: **Marco J. P. Brok**, Monster (NL)

* cited by examiner

(73) Assignee: **Hortilux Schreder B.V.**, Monster (NL)

Primary Examiner—Marcus A. Jackson

(**) Term: **14 Years**

(74) *Attorney, Agent, or Firm*—Hahn Loeser & Parks LLP

(21) Appl. No.: **29/151,135**

(57) **CLAIM**

(22) Filed: **Oct. 31, 2001**

I claim the ornamental design for lamp unit, as shown.

(30) **Foreign Application Priority Data**

DESCRIPTION

May 1, 2001 (XH) DM/056 296

(51) **LOC (7) Cl.** **26-02**

(52) **U.S. Cl.** **D26/37**

(58) **Field of Search** D26/37-50; 362/157,
362/158, 171, 173, 183-208

FIG. 1 is a perspective left and backside view from below

FIG. 2 is a perspective front and left side view from above

FIG. 3 is a top view from above

FIG. 4 is a left side view

FIG. 5 is a bottom view

FIG. 6 is a backside view; and,

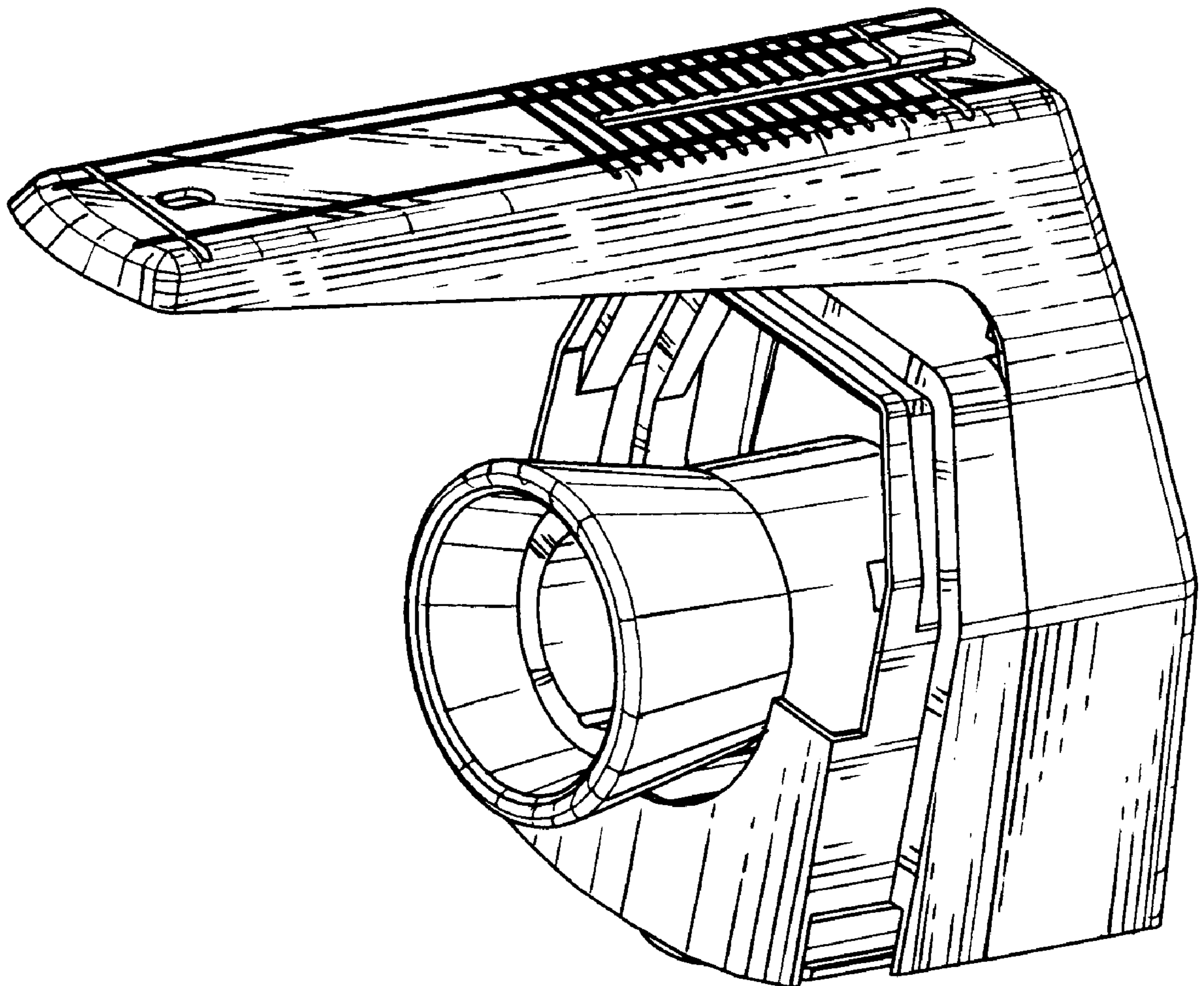
FIG. 7 is a front view.

(56) **References Cited**

U.S. PATENT DOCUMENTS

D440,333 S * 4/2001 Yuen D26/37

1 Claim, 3 Drawing Sheets



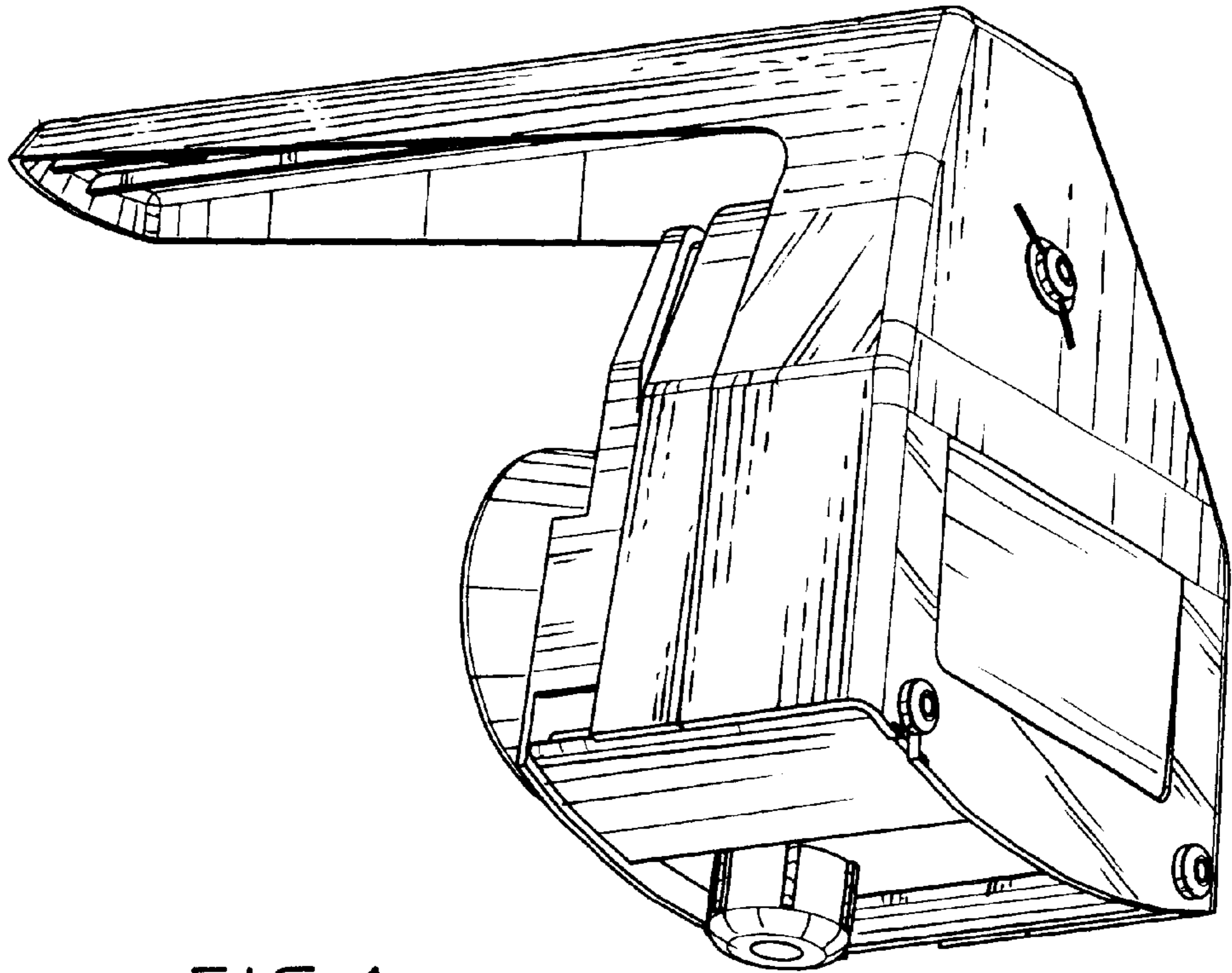


FIG. 1

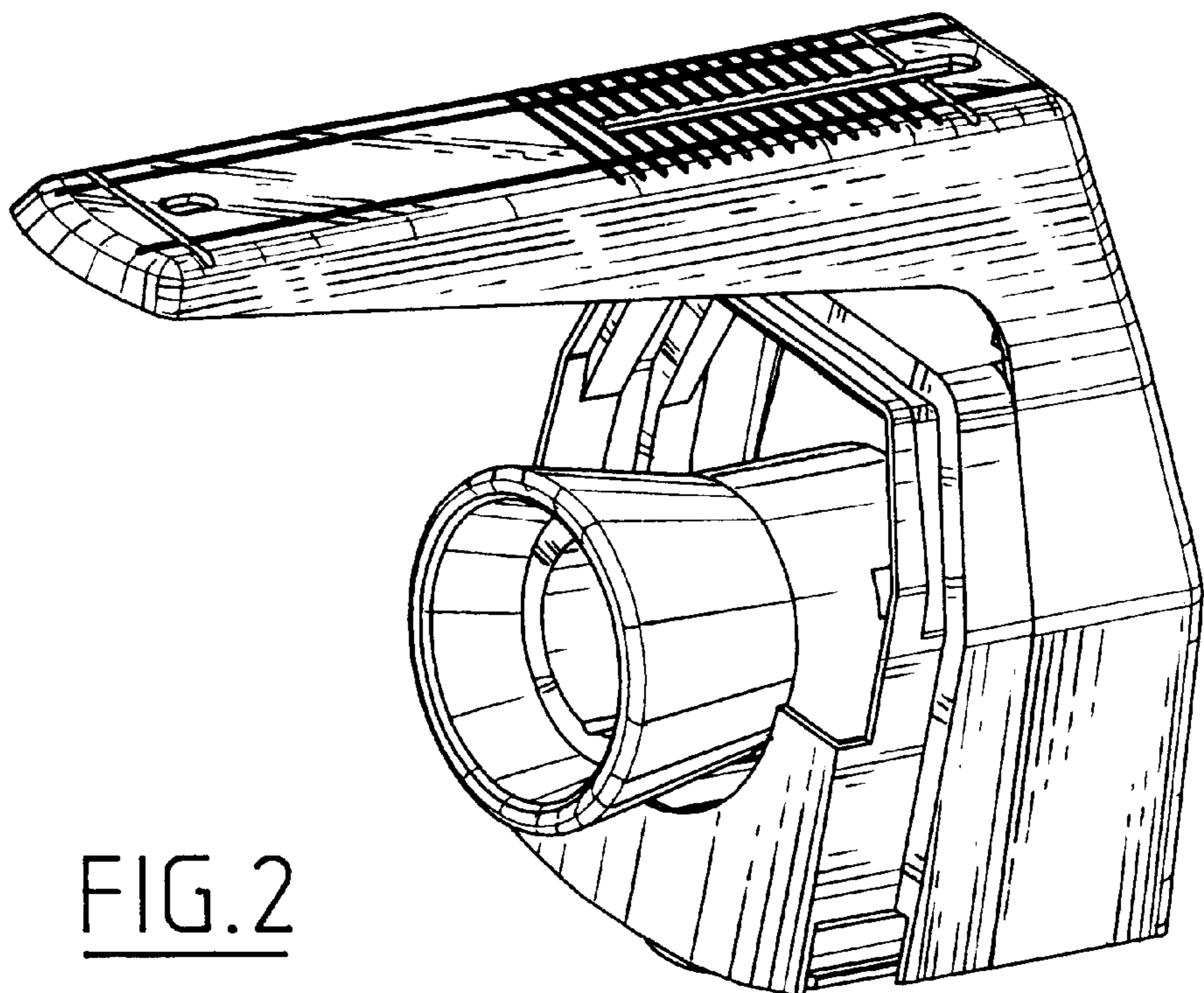


FIG. 2

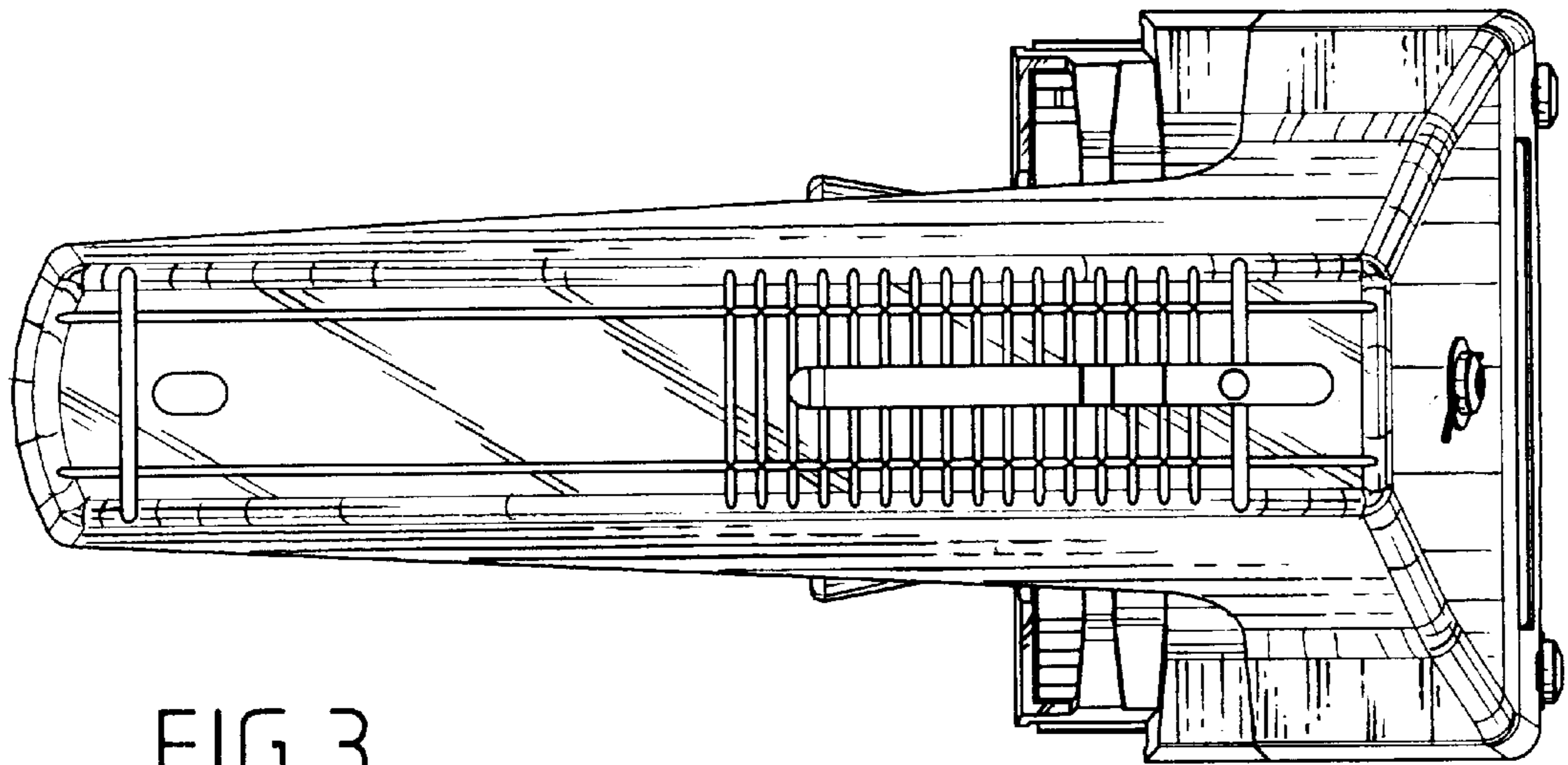


FIG. 3

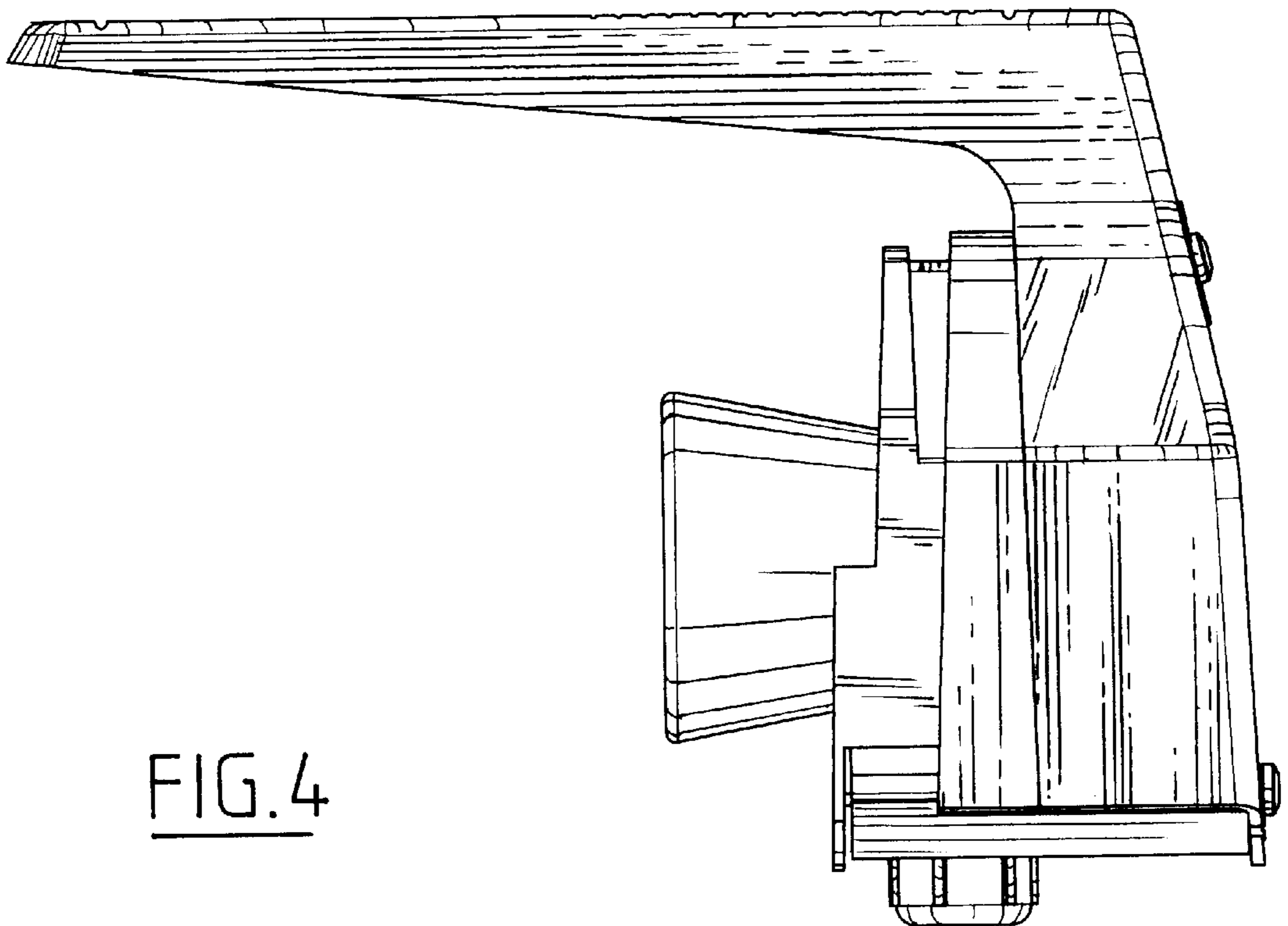


FIG. 4

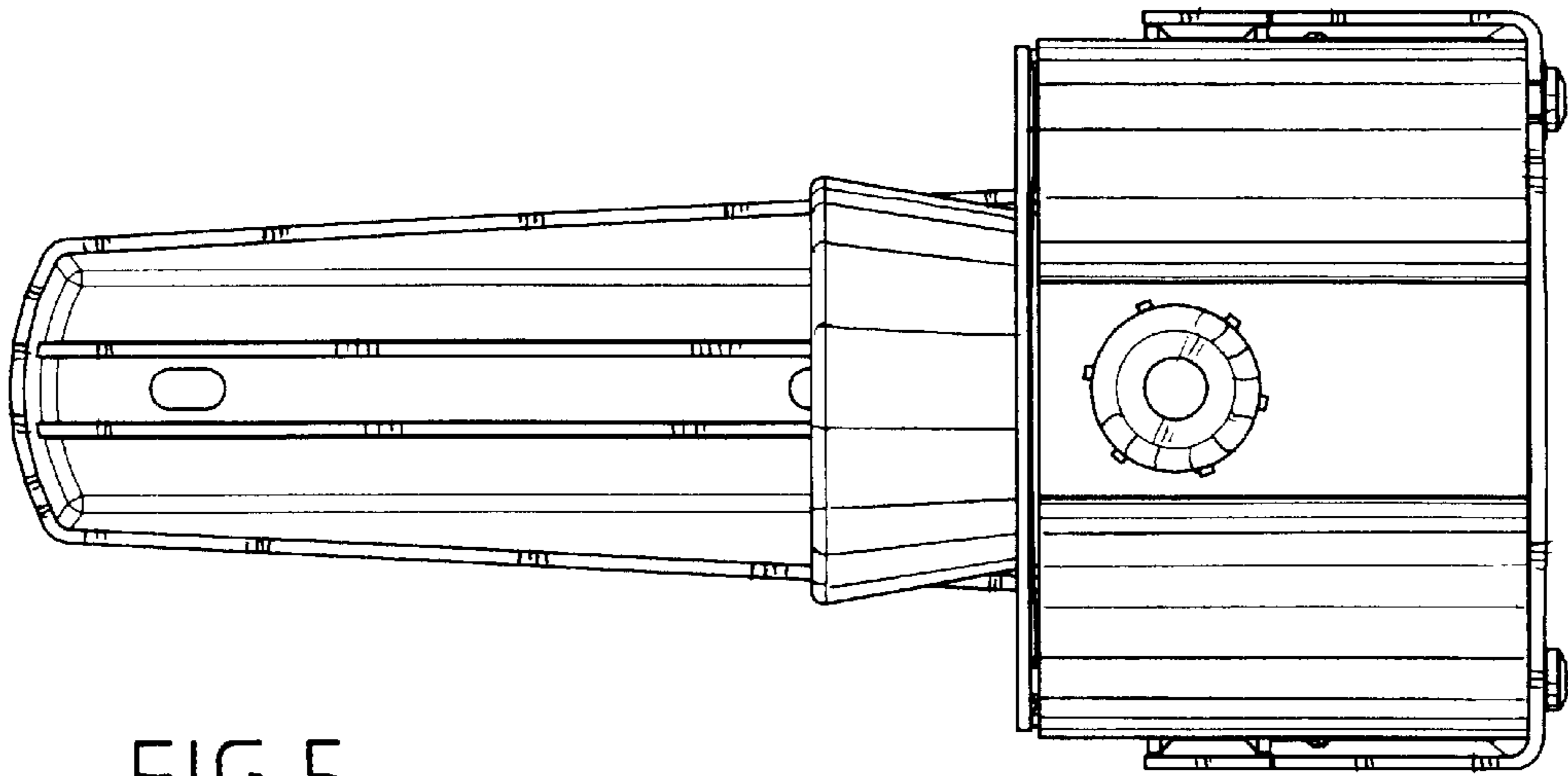


FIG. 5

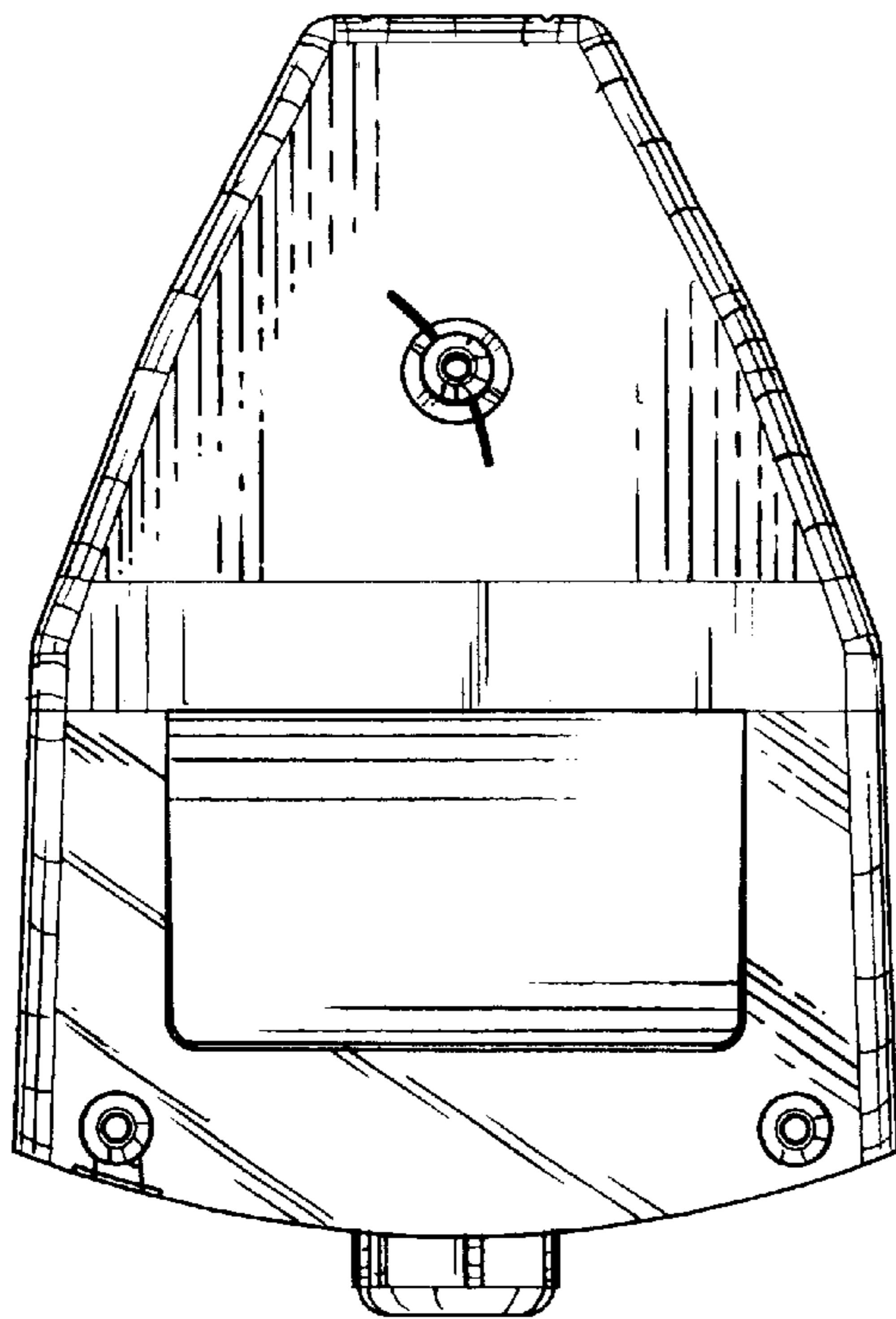


FIG. 6

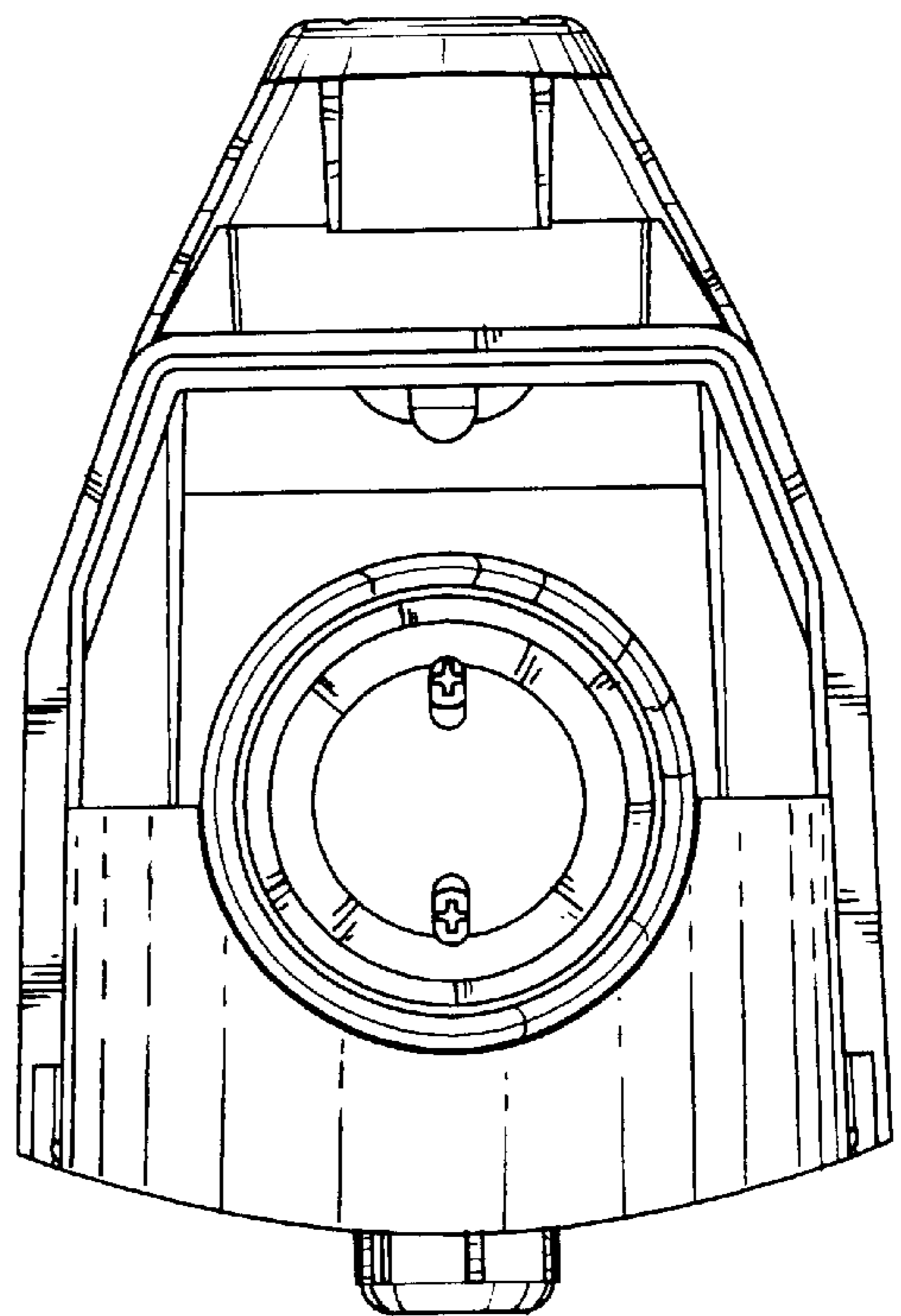


FIG. 7