



US00D460203S

(12) **United States Design Patent**
Nemazi et al.

(10) **Patent No.:** **US D460,203 S**

(45) **Date of Patent:** **** Jul. 9, 2002**

(54) **NIGHT LIGHT**

D452,577 S * 12/2001 Liu et al. D26/26

(76) Inventors: **John E. Nemazi**, 4373 Stoneleigh,
Bloomfield Hills, MI (US) 48302;
Matthew R. Mowers, 1607 Brentwood,
Troy, MI (US) 48098

* cited by examiner

Primary Examiner—Marcus A. Jackson
(74) *Attorney, Agent, or Firm*—Brooks & Kushman P.C.

(**) Term: **14 Years**

(57) **CLAIM**

The ornamental design for a night light, as shown.

(21) Appl. No.: **29/151,196**

DESCRIPTION

(22) Filed: **Oct. 25, 2001**

(51) **LOC (7) Cl.** **26-04**

(52) **U.S. Cl.** **D26/26**

(58) **Field of Search** D26/24, 25, 26,
D26/93, 104, 107, 110; 362/147, 226, 253,
276, 367, 404

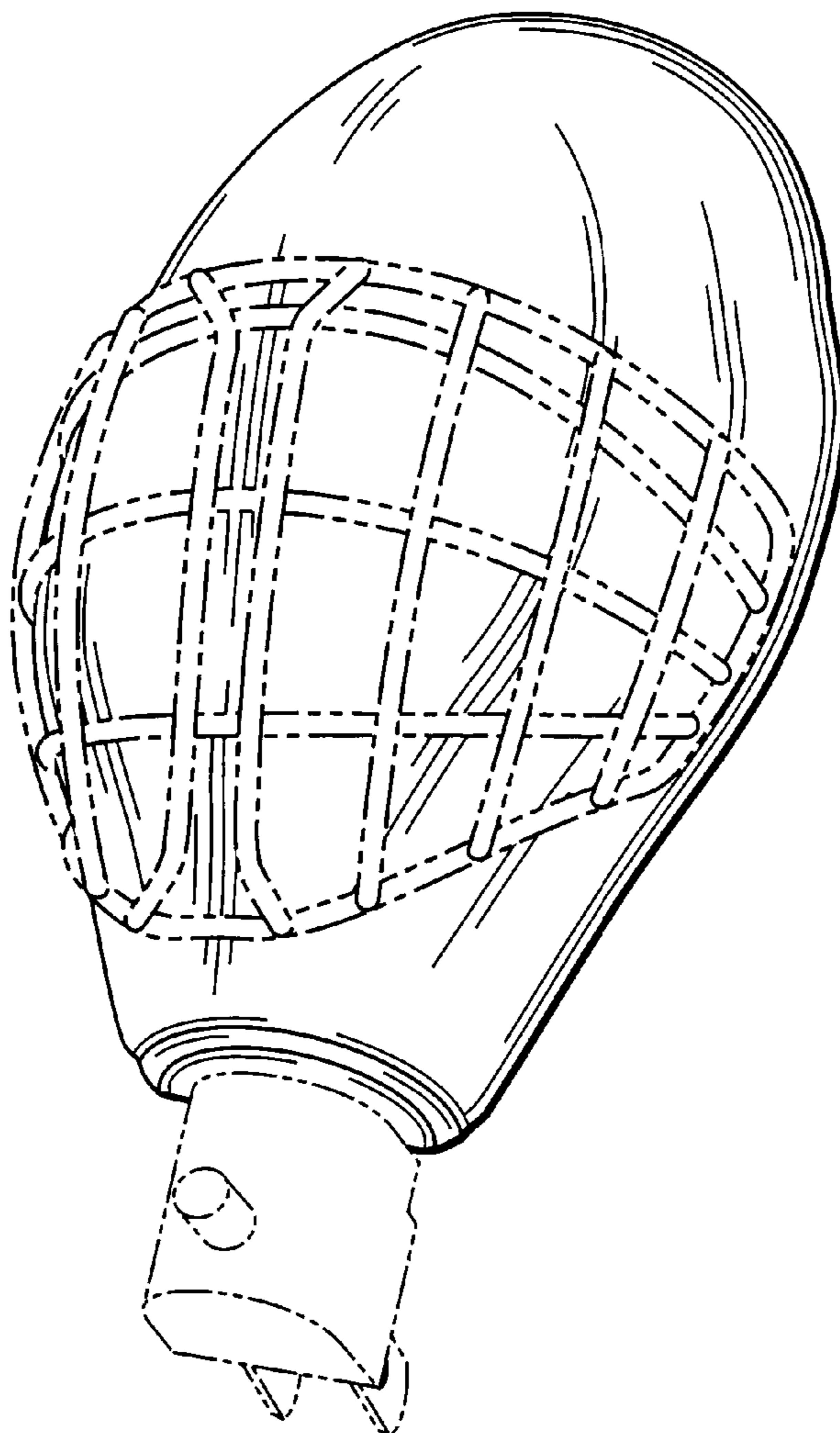
FIG. 1 is a perspective view of a night light, with the broken lines showing for illustrative purposes only and forming no part of the claimed design;
FIG. 2 is a front elevational view thereof;
FIG. 3 is a rear side elevational view thereof;
FIG. 4 is a top plan view thereof;
FIG. 5 is a bottom plan view thereof;
FIG. 6 is a left side elevational view thereof; and,
FIG. 7 is a right side elevational view thereof.

(56) **References Cited**

U.S. PATENT DOCUMENTS

D375,810 S * 11/1996 Ham D26/26

1 Claim, 2 Drawing Sheets



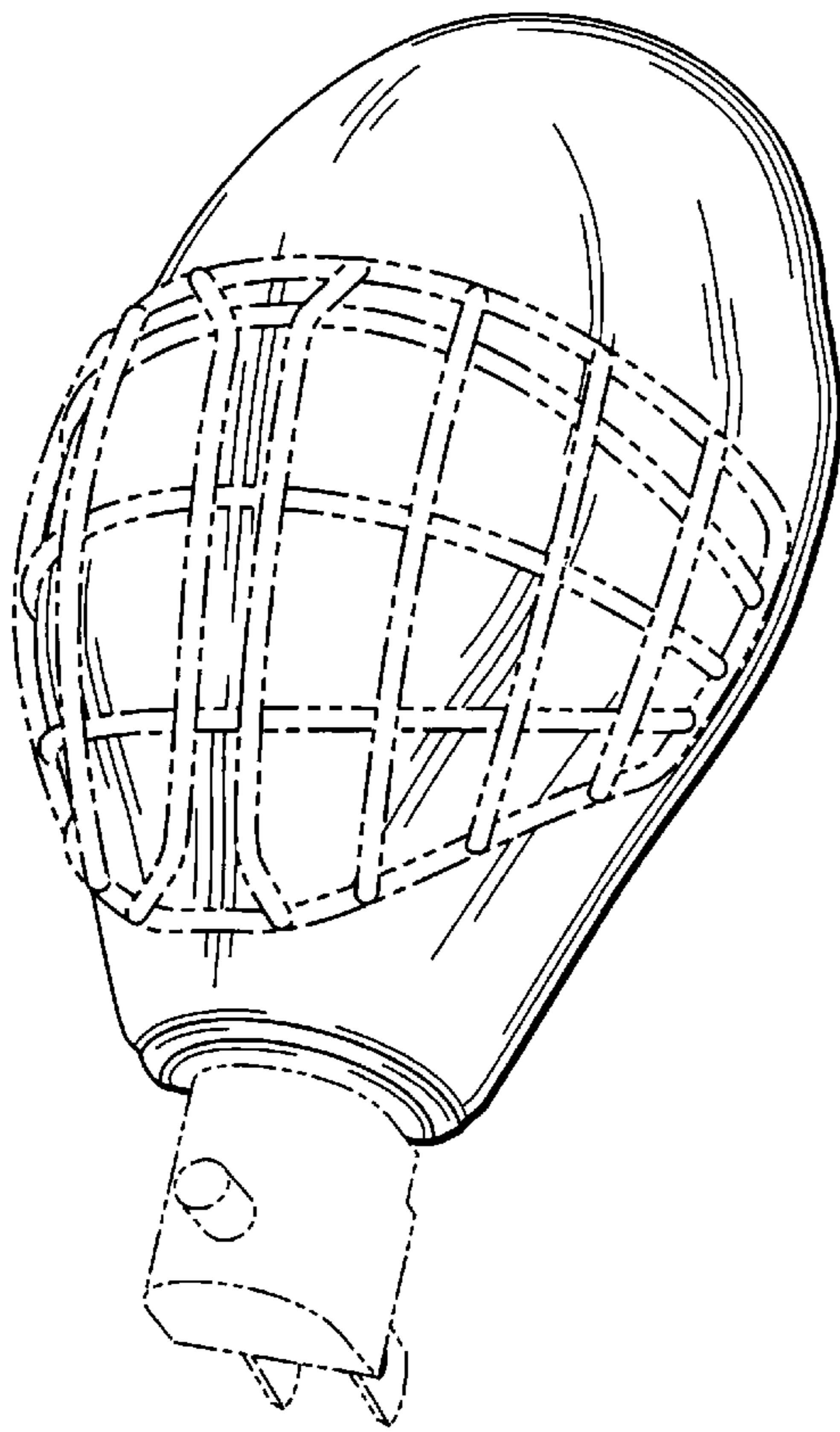


Fig. 1

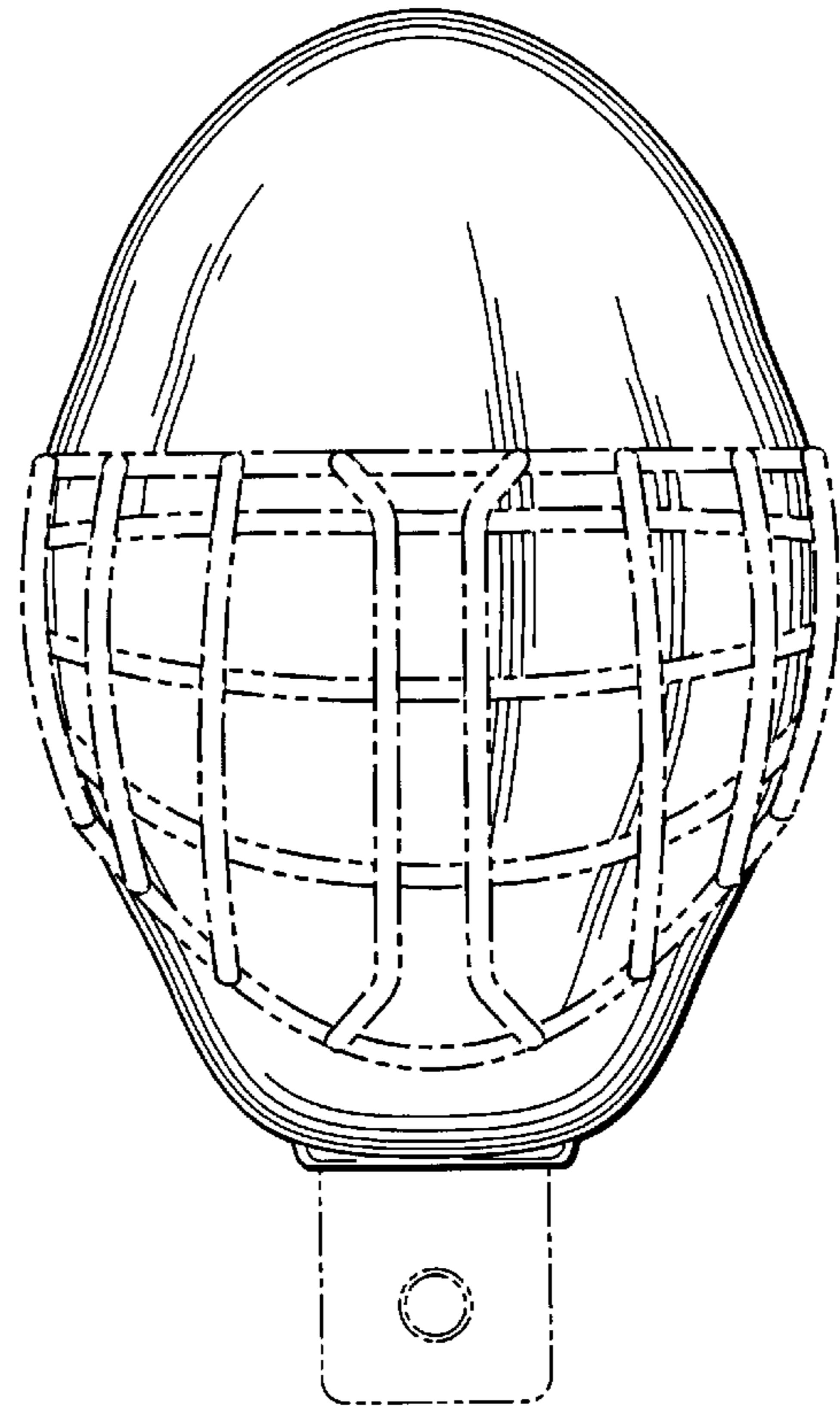


Fig. 2

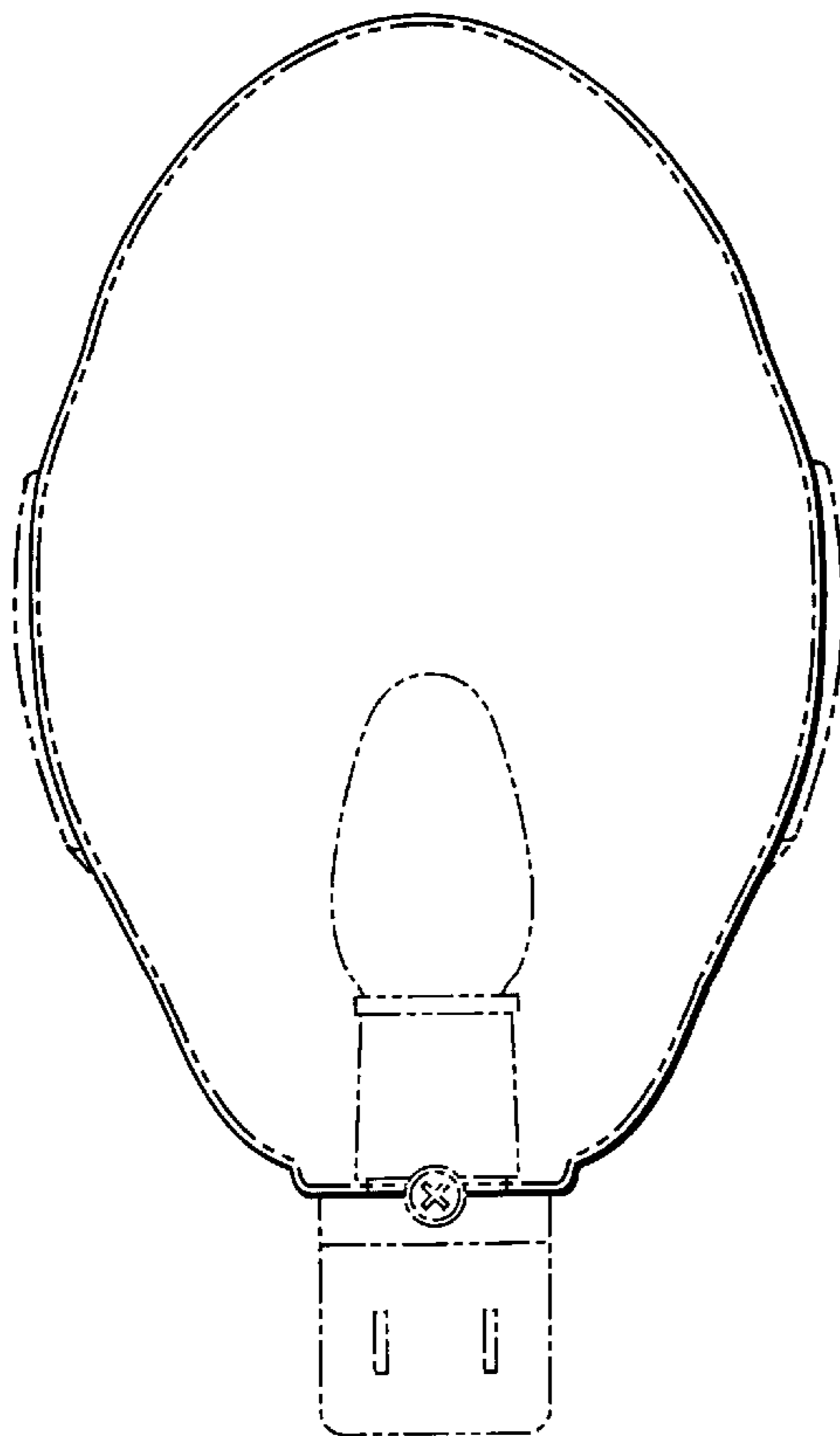


Fig. 3

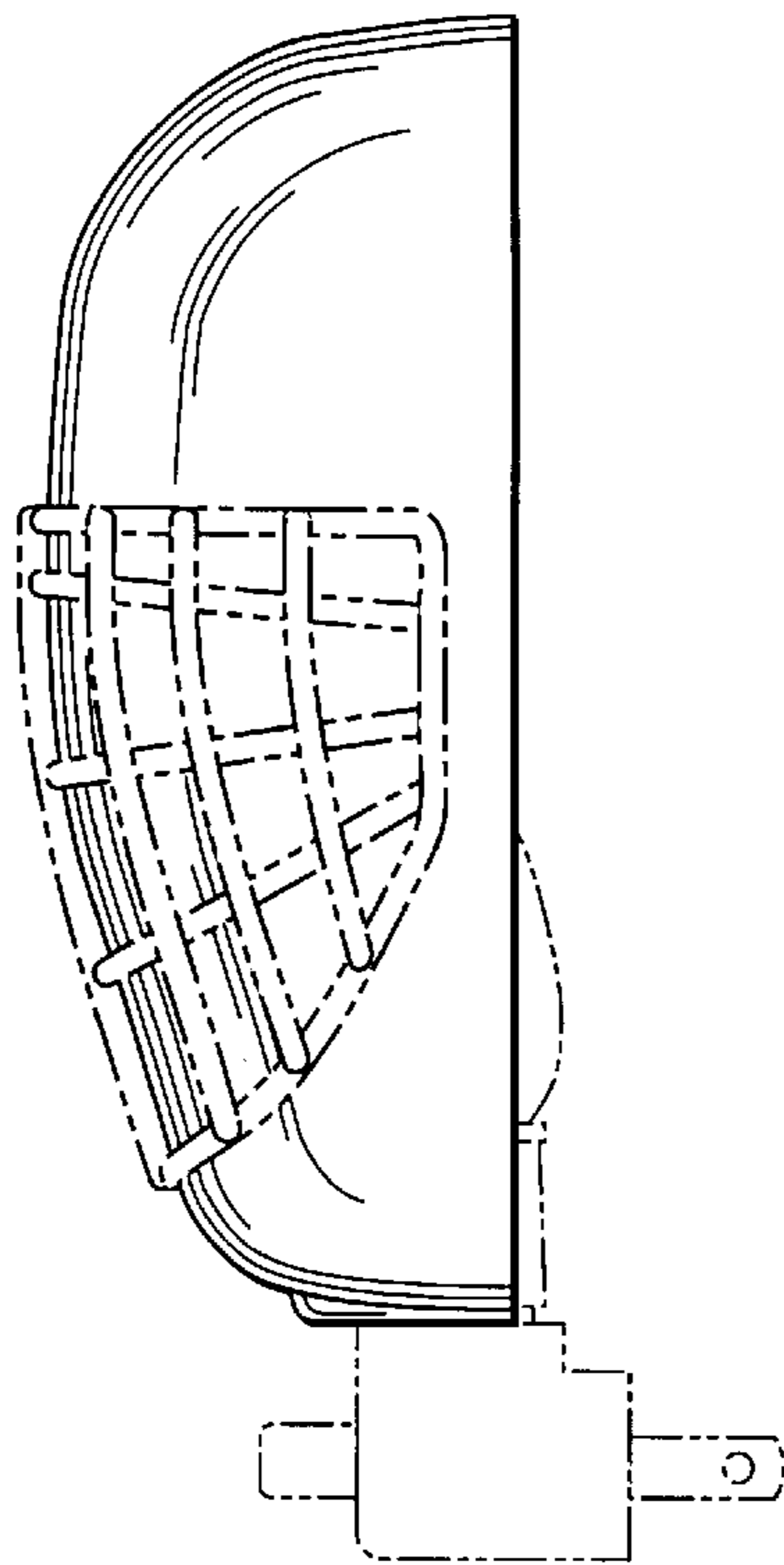


Fig. 4

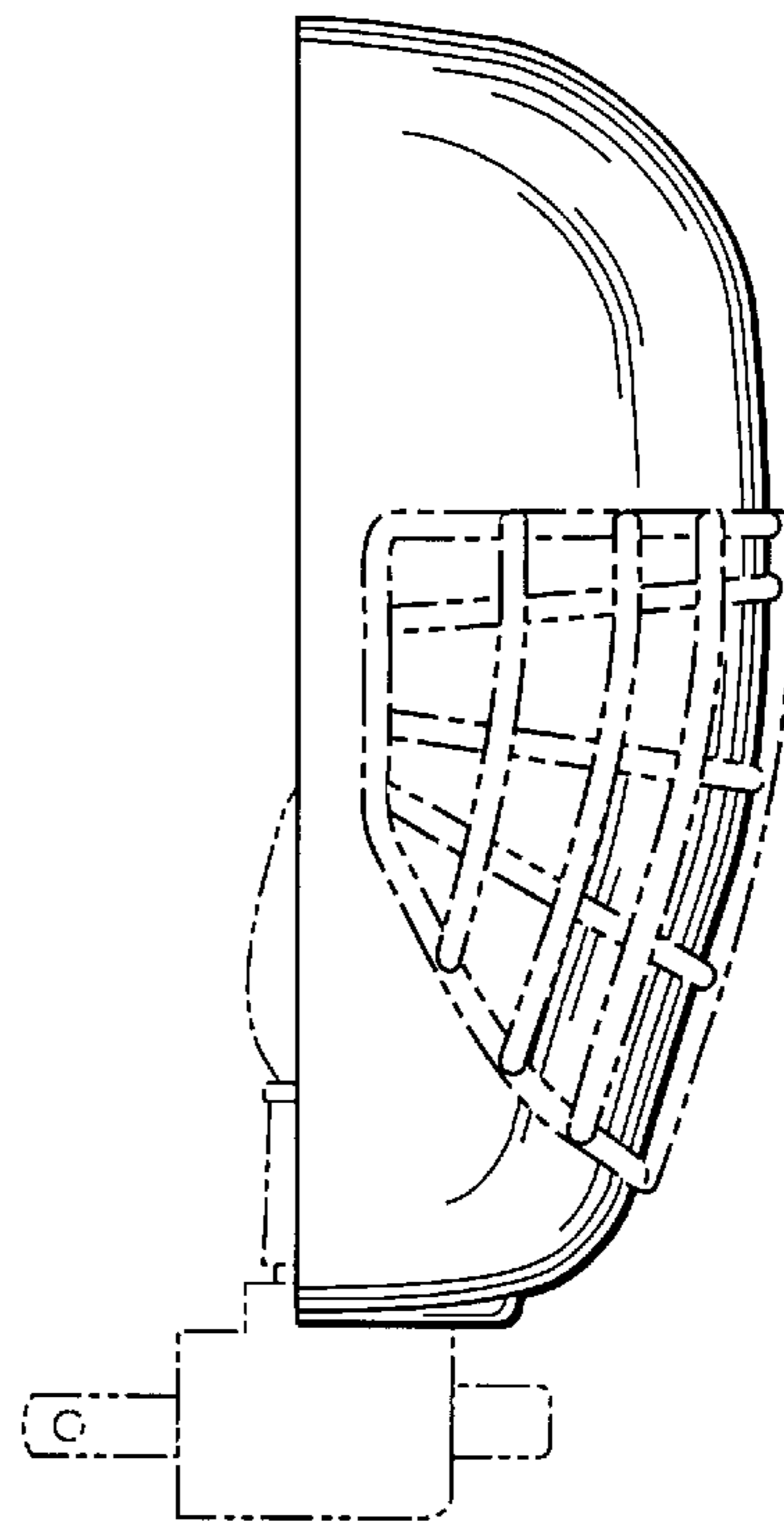


Fig. 5

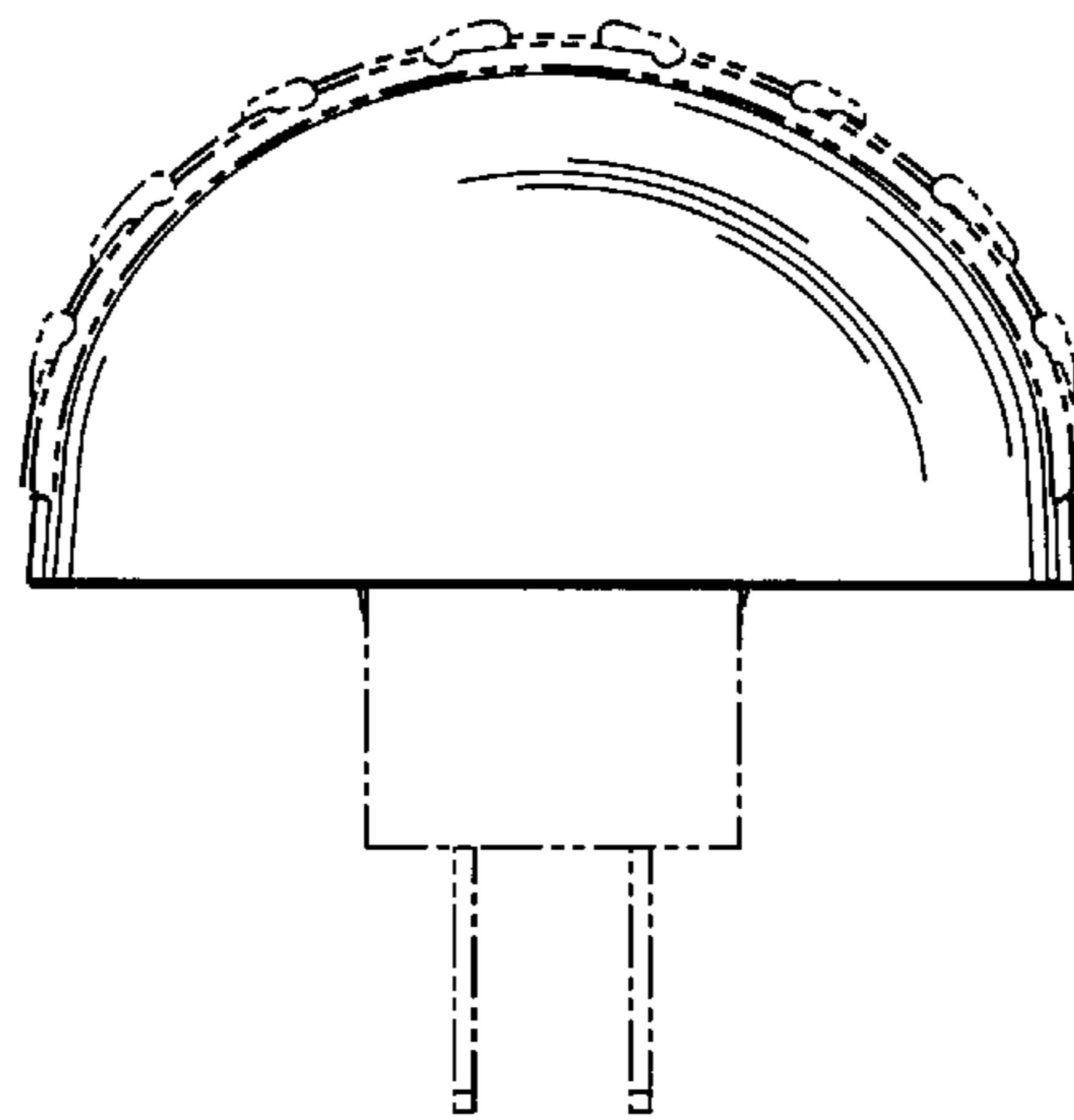


Fig. 6

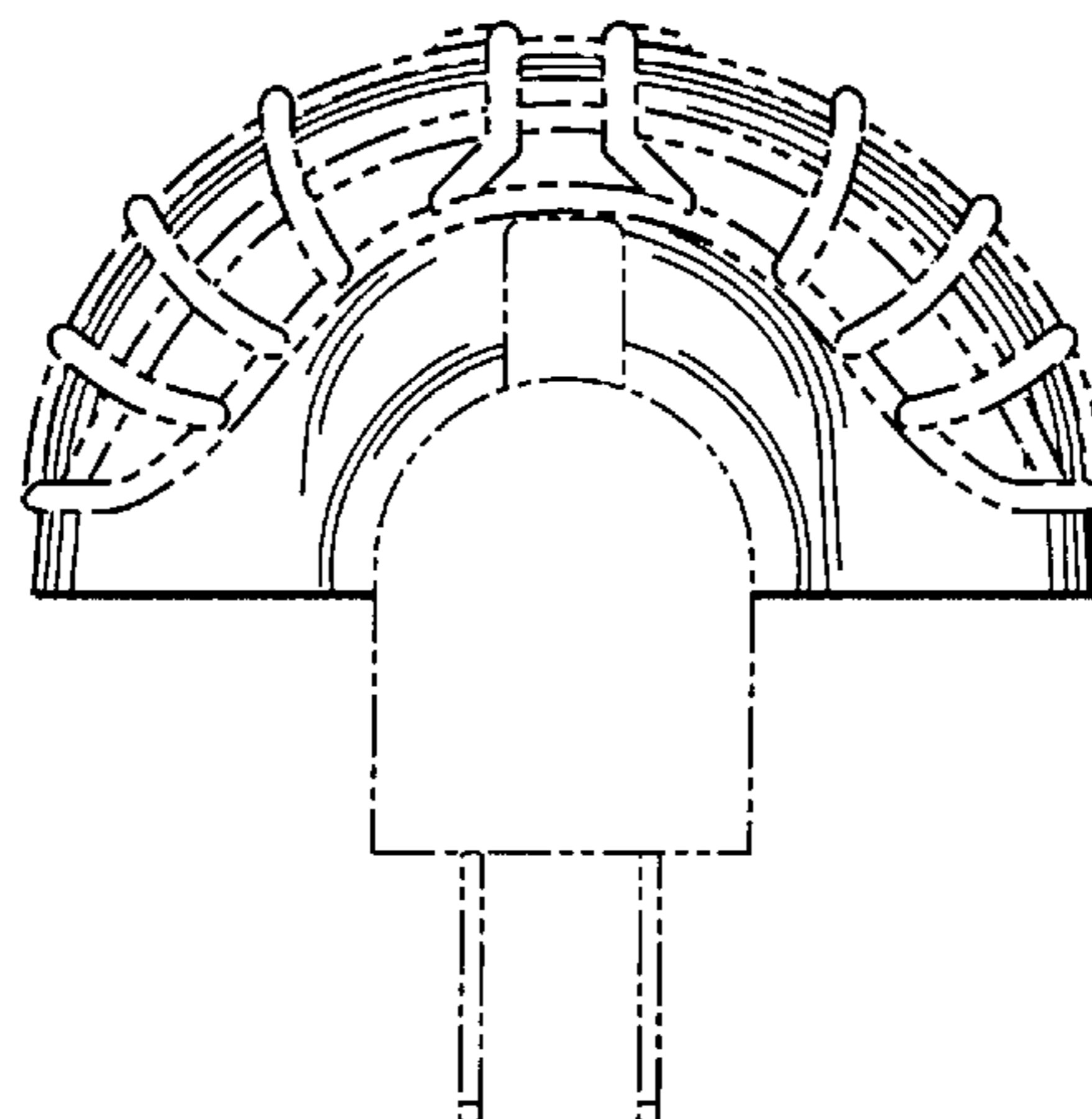


Fig. 7