



US00D460202S

(12) **United States Design Patent**
Stekelenburg

(10) **Patent No.:** **US D460,202 S**

(45) **Date of Patent:** **** Jul. 9, 2002**

(54) **NIGHT LIGHT**

(75) **Inventor:** **Albert Stekelenburg, Taipei (TW)**

(73) **Assignee:** **All-Line Inc. (TW)**

(**) **Term:** **14 Years**

(21) **Appl. No.:** **29/140,032**

(22) **Filed:** **Apr. 12, 2001**

(51) **LOC (7) Cl.** **26-05**

(52) **U.S. Cl.** **D26/26**

(58) **Field of Search** D26/26, 73, 51,
D26/118, 4; 13/137.2, 137.1, 138.2; 362/804,
806, 226

(56) **References Cited**

U.S. PATENT DOCUMENTS

- D46,881 S * 1/1915 Jennings D26/26
- D322,550 S * 12/1991 Evans D26/26 X
- D336,144 S * 6/1993 Galati D26/26

- D346,869 S * 5/1994 Houssian D26/26
- D409,980 S * 5/1999 Byrne D13/137.2
- D423,698 S * 4/2000 Yuen D26/26

* cited by examiner

Primary Examiner—Cynthia E. Ramirez

(74) *Attorney, Agent, or Firm*—Troxell Law Office PLLC

(57) **CLAIM**

The ornamental design for a night light, as shown and described.

DESCRIPTION

FIG. 1 is a front view of a night light showing my new design;

FIG. 2 is a right side elevational view thereof;

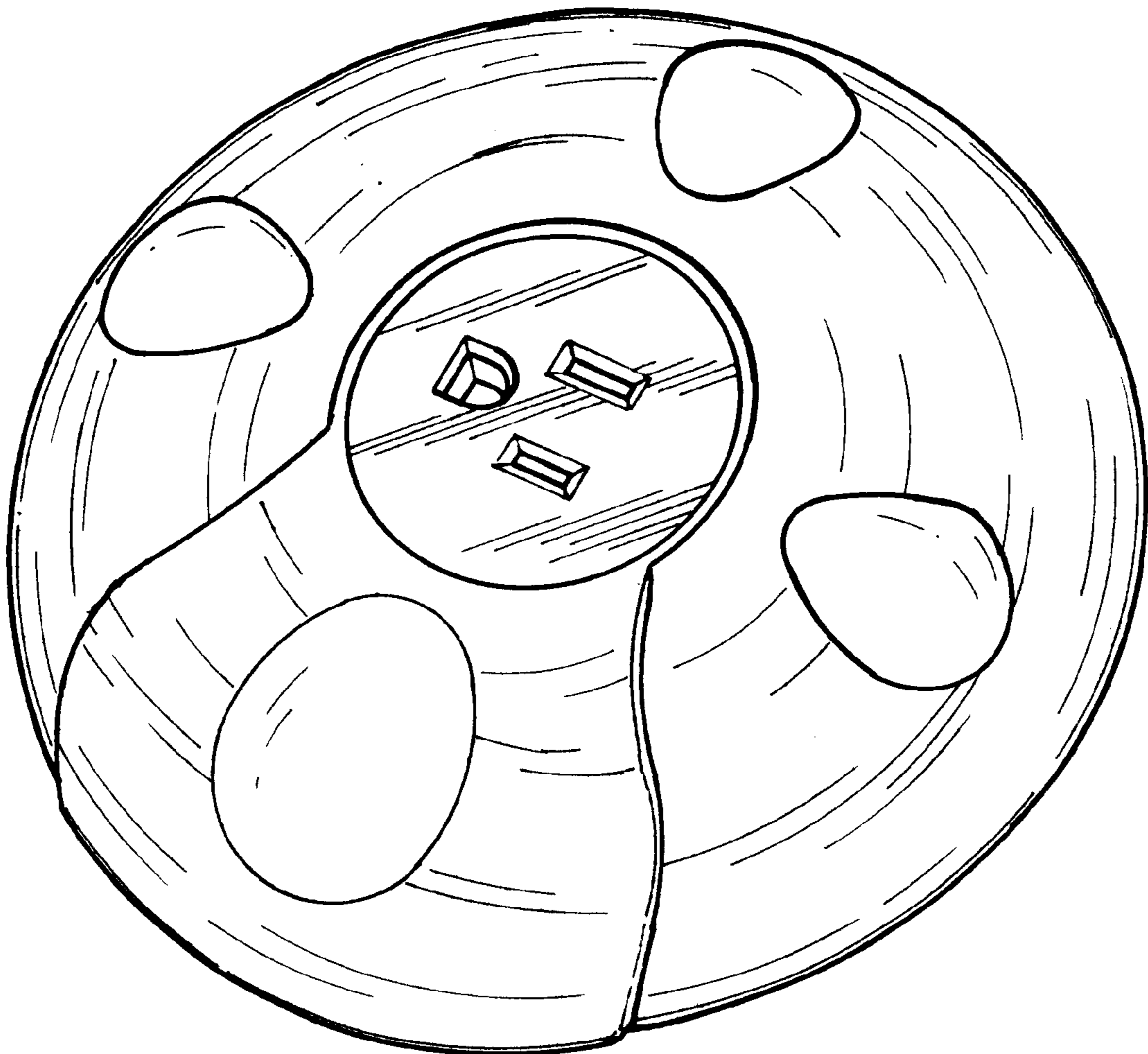
FIG. 3 is a bottom view thereof, with the top view being symmetrical;

FIG. 4 is a left side elevational view thereof;

FIG. 5 is a rear view thereof; and,

FIG. 6 is a perspective view thereof.

1 Claim, 3 Drawing Sheets



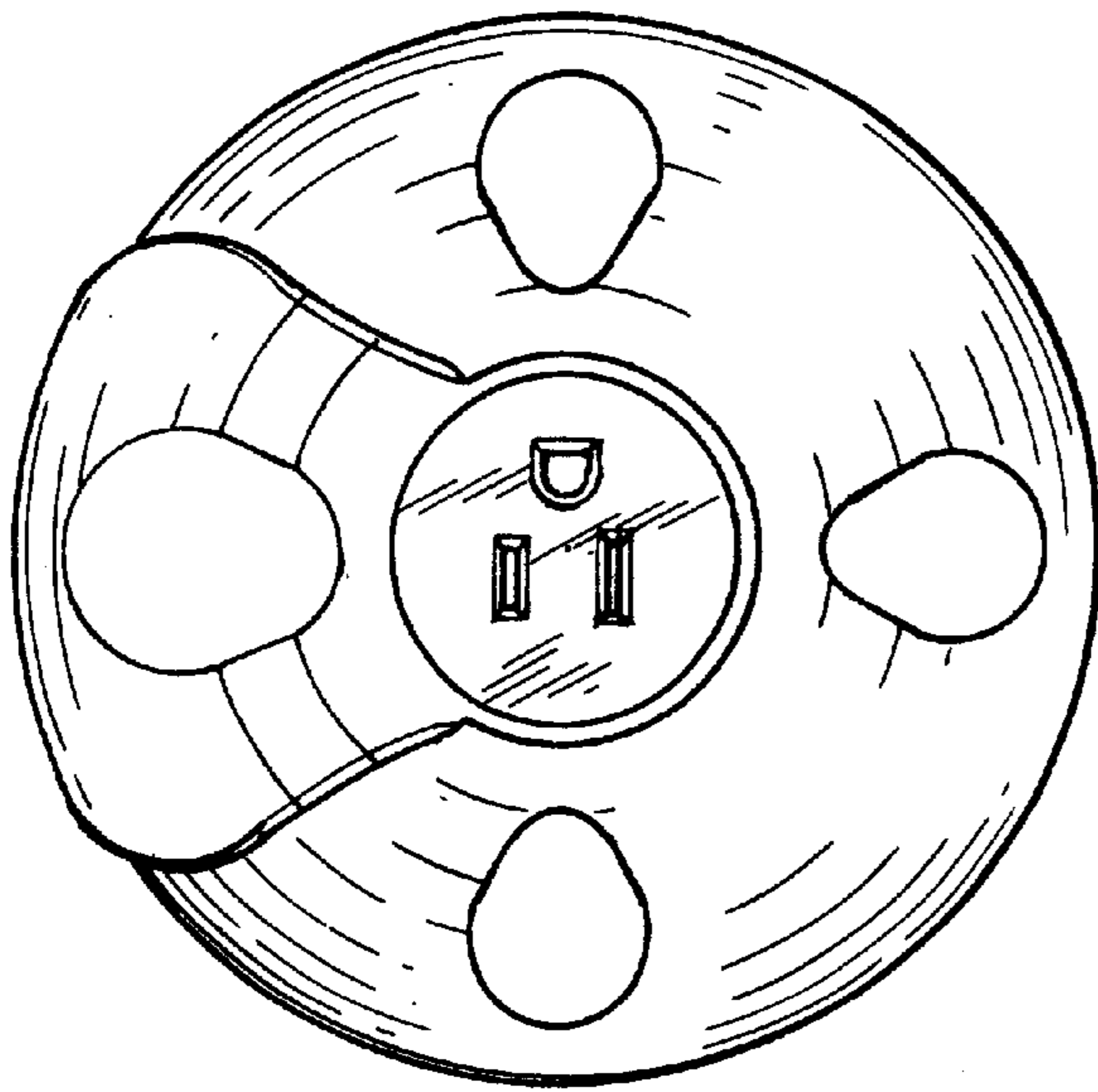


FIG. 1

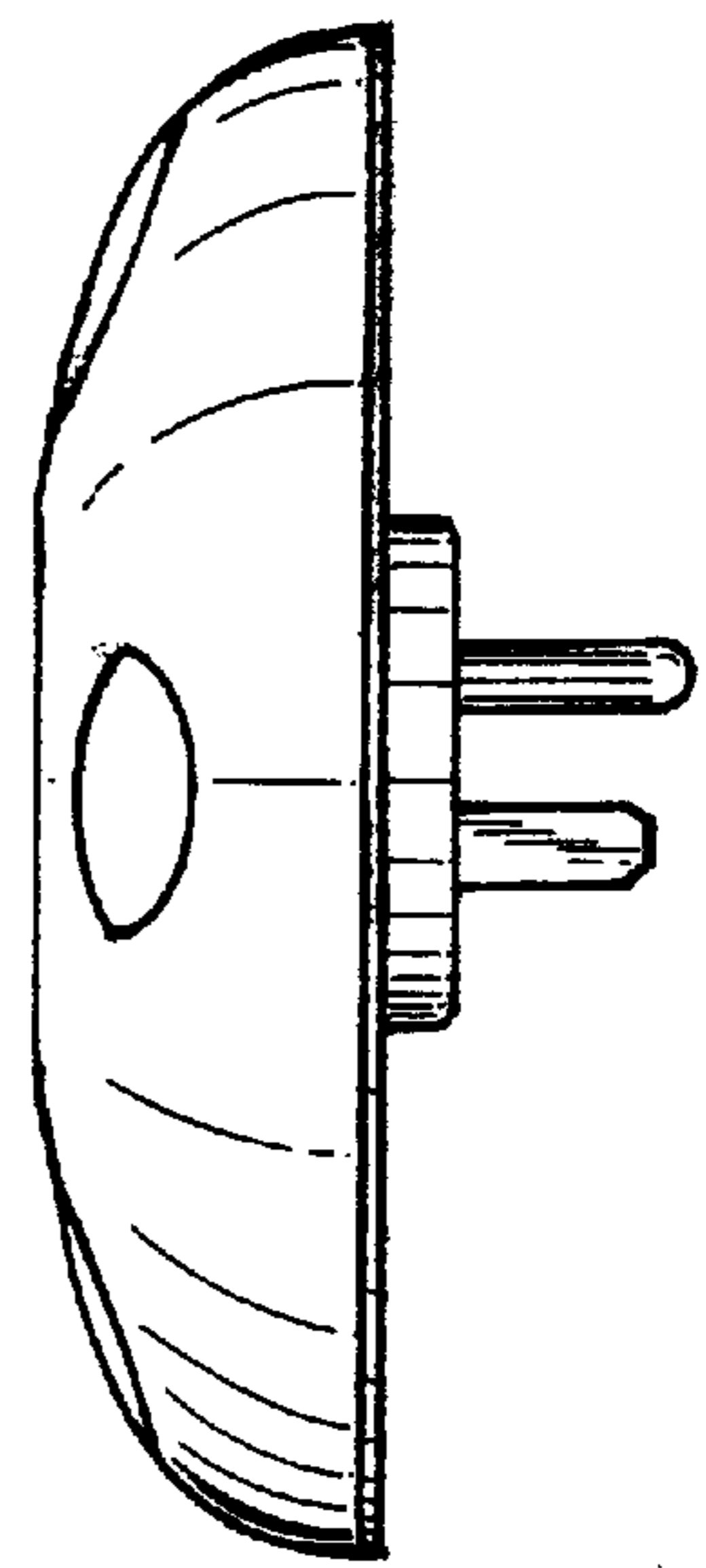


FIG. 2

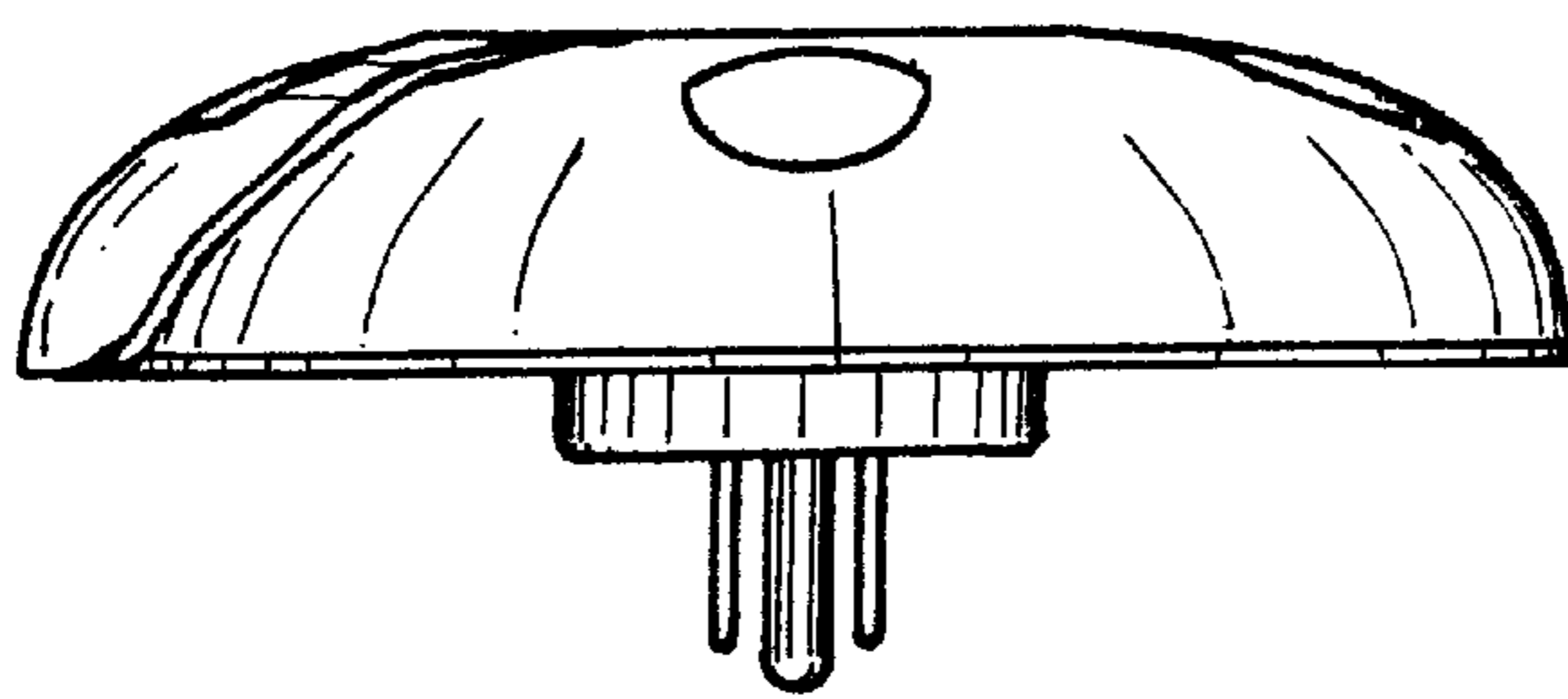


FIG. 3

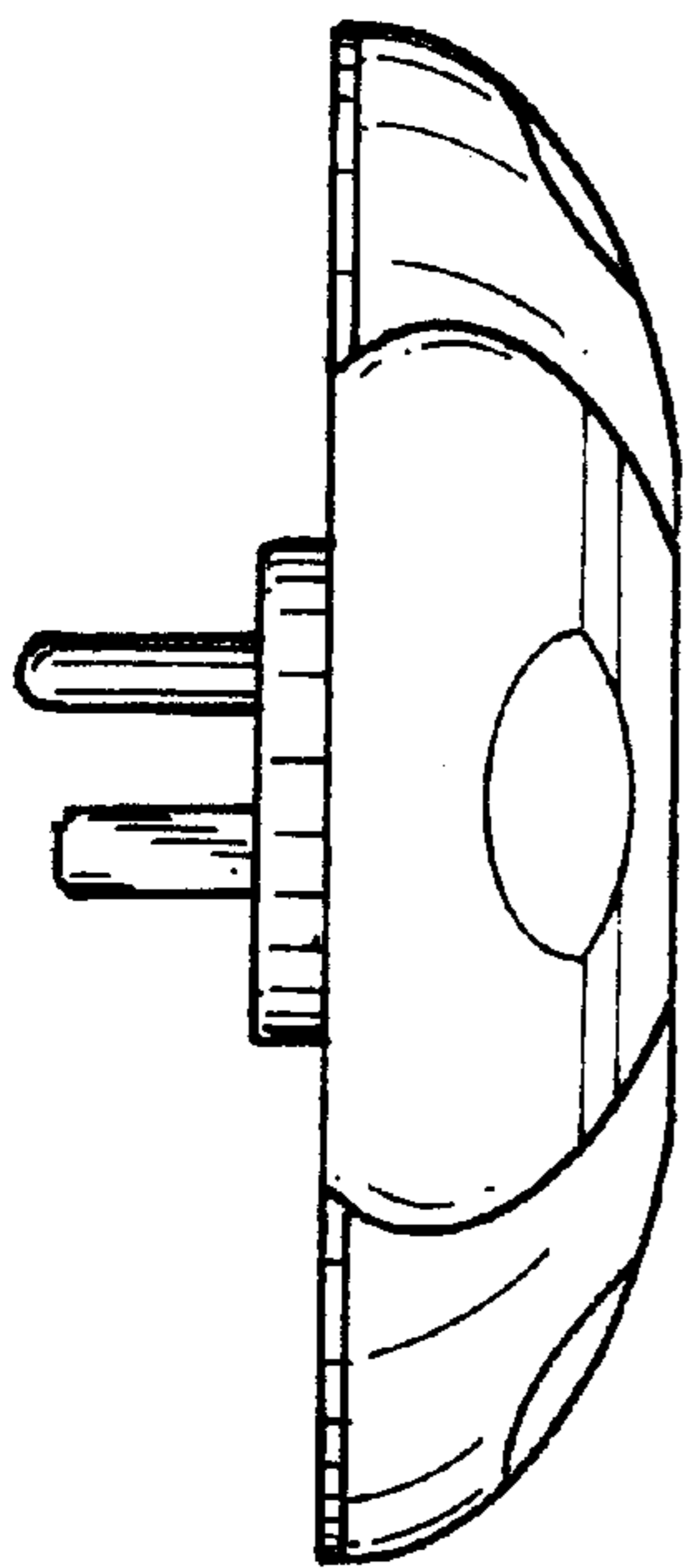


FIG. 4

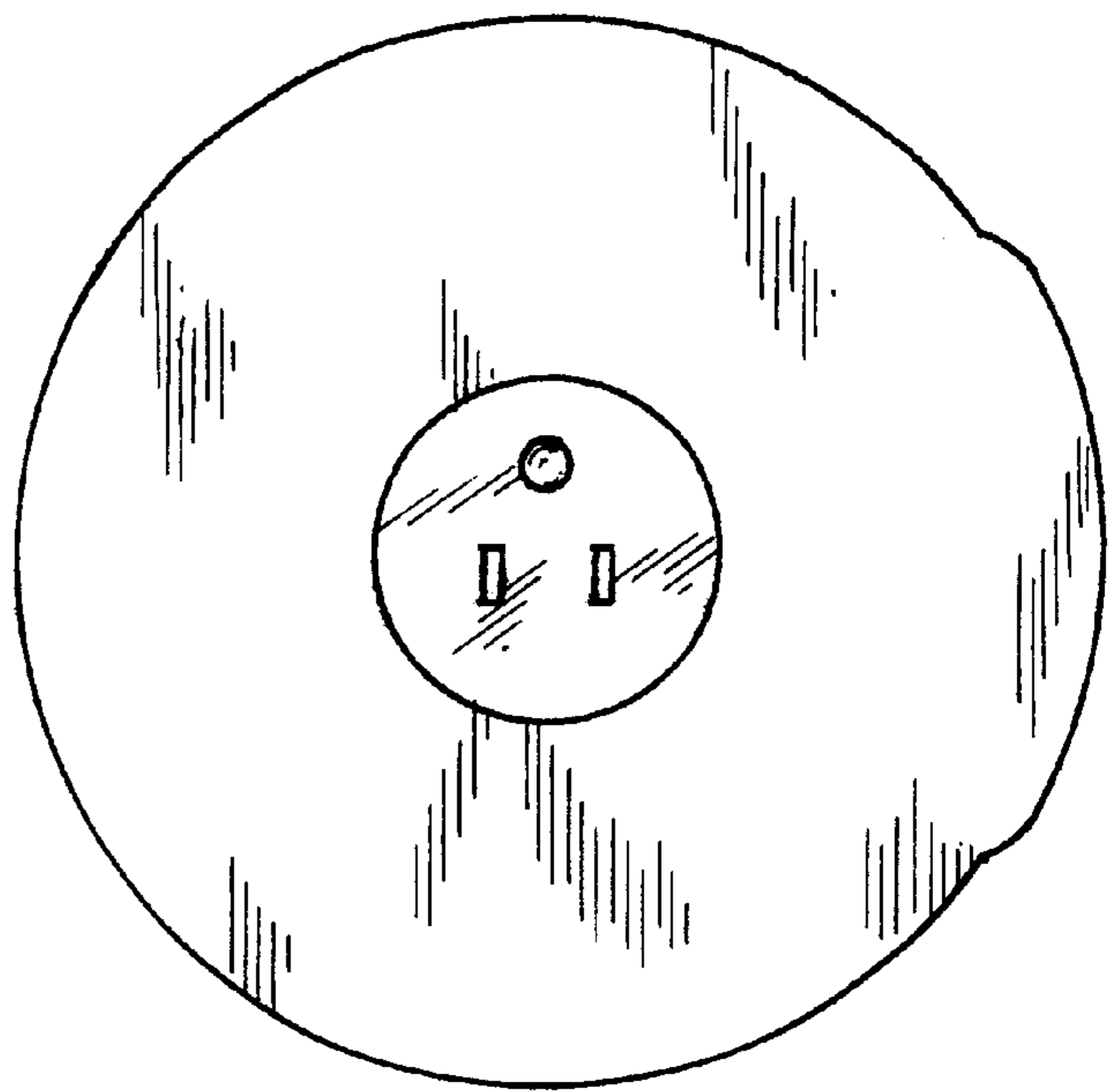


FIG. 5

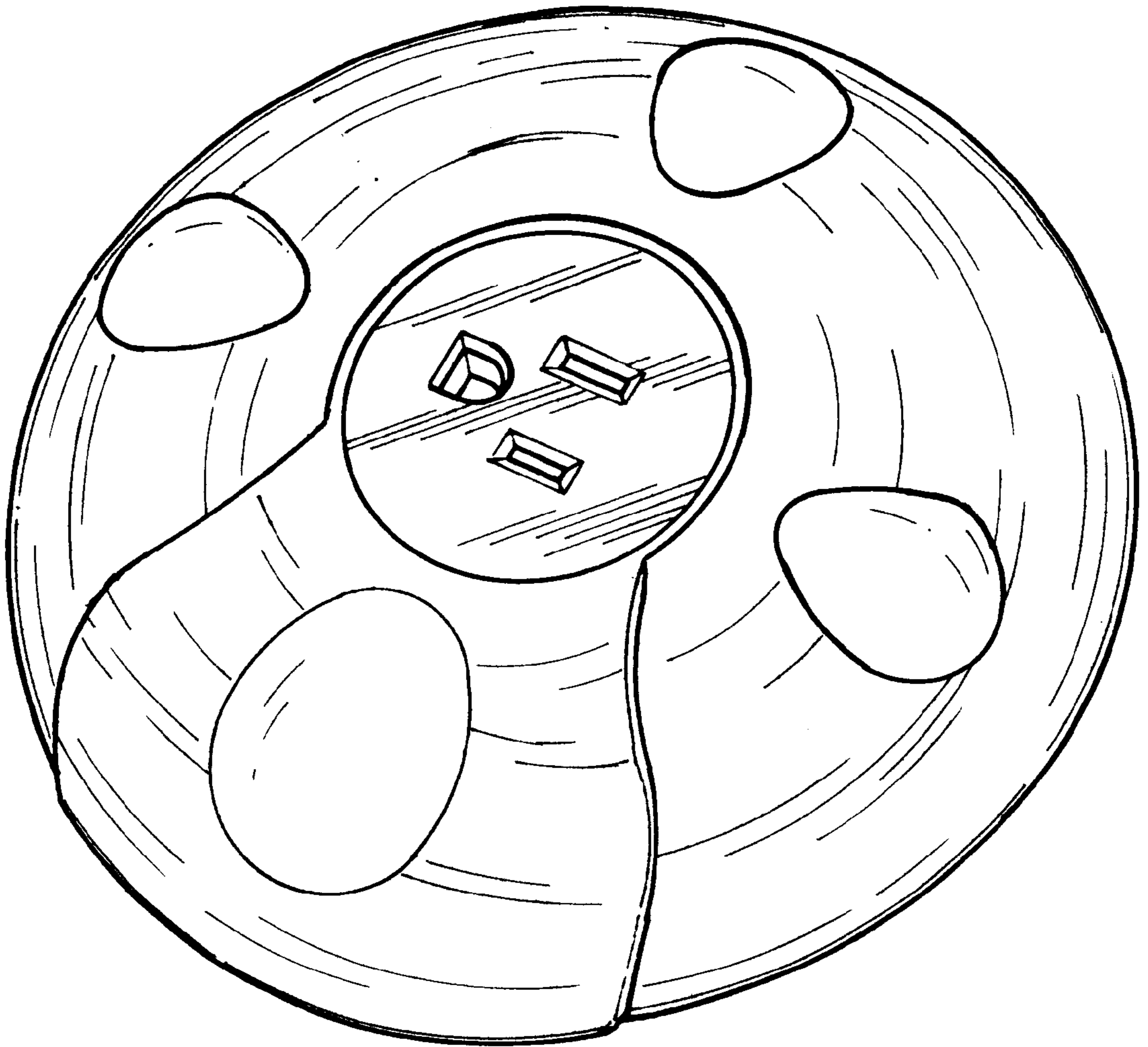


FIG. 6