



US00D460201S

(12) **United States Design Patent**
Lisula

(10) **Patent No.:** **US D460,201 S**

(45) **Date of Patent:** **** Jul. 9, 2002**

(54) **METAL STUD**

(76) **Inventor:** **Steve Lisula**, 14532 Ash St., Orland Park, IL (US) 60462

(**) **Term:** **14 Years**

(21) **Appl. No.:** **29/146,497**

(22) **Filed:** **Aug. 10, 2001**

(51) **LOC (7) Cl.** **25-01**

(52) **U.S. Cl.** **D25/126**

(58) **Field of Search** D25/126; 52/344, 52/345, 459, 481.1

(56) **References Cited**

U.S. PATENT DOCUMENTS

D229,400 S * 11/1973 Ashley D25/126
5,848,512 A * 12/1998 Conn 52/481.1

* cited by examiner

Primary Examiner—Doris Clark

(74) *Attorney, Agent, or Firm*—Goldstein Law Offices, P.C.

(57) **CLAIM**

The ornamental design for a metal stud, as shown and described.

DESCRIPTION

FIG. 1 is a perspective view of a metal stud.

FIG. 2 is a front elevational view thereof, the rear elevational view being a mirror image of the front view.

FIG. 3 is a top plan view thereof.

FIG. 4 is a bottom plan view thereof; and,

FIG. 5 is a right side elevational view of the metal stud, the left side view being a mirror image of the right side view.

1 Claim, 3 Drawing Sheets

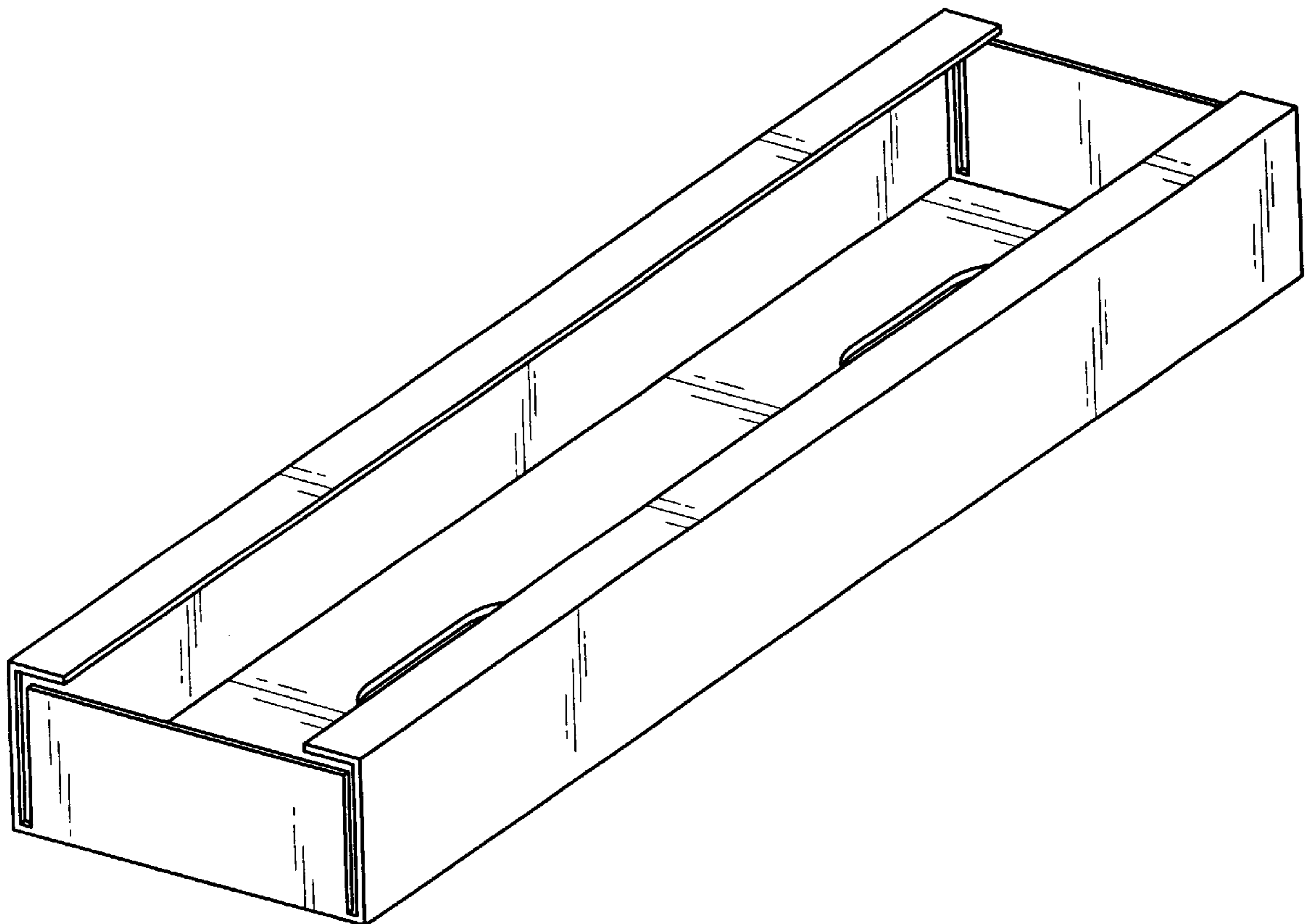


Fig. 1

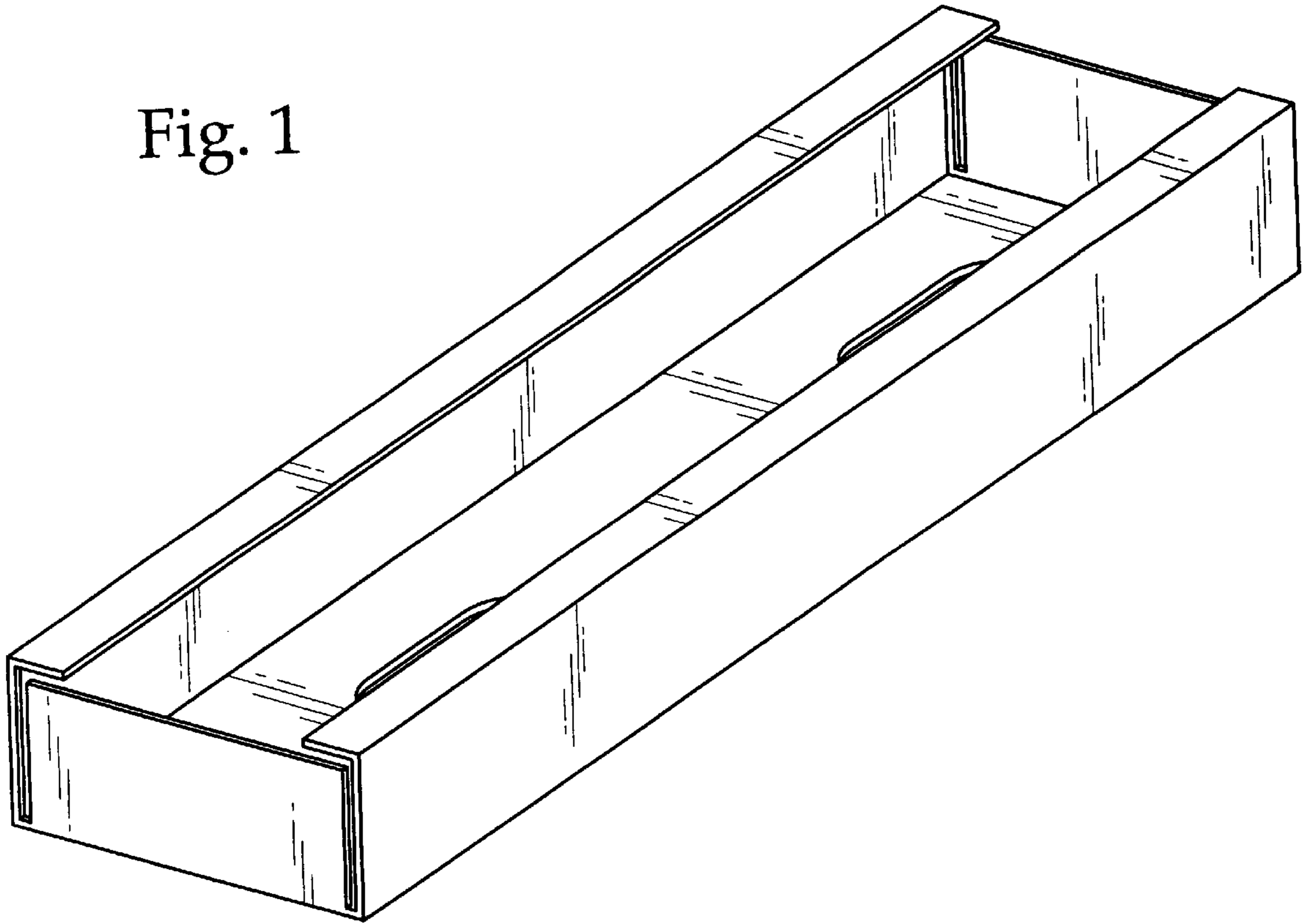


Fig. 2

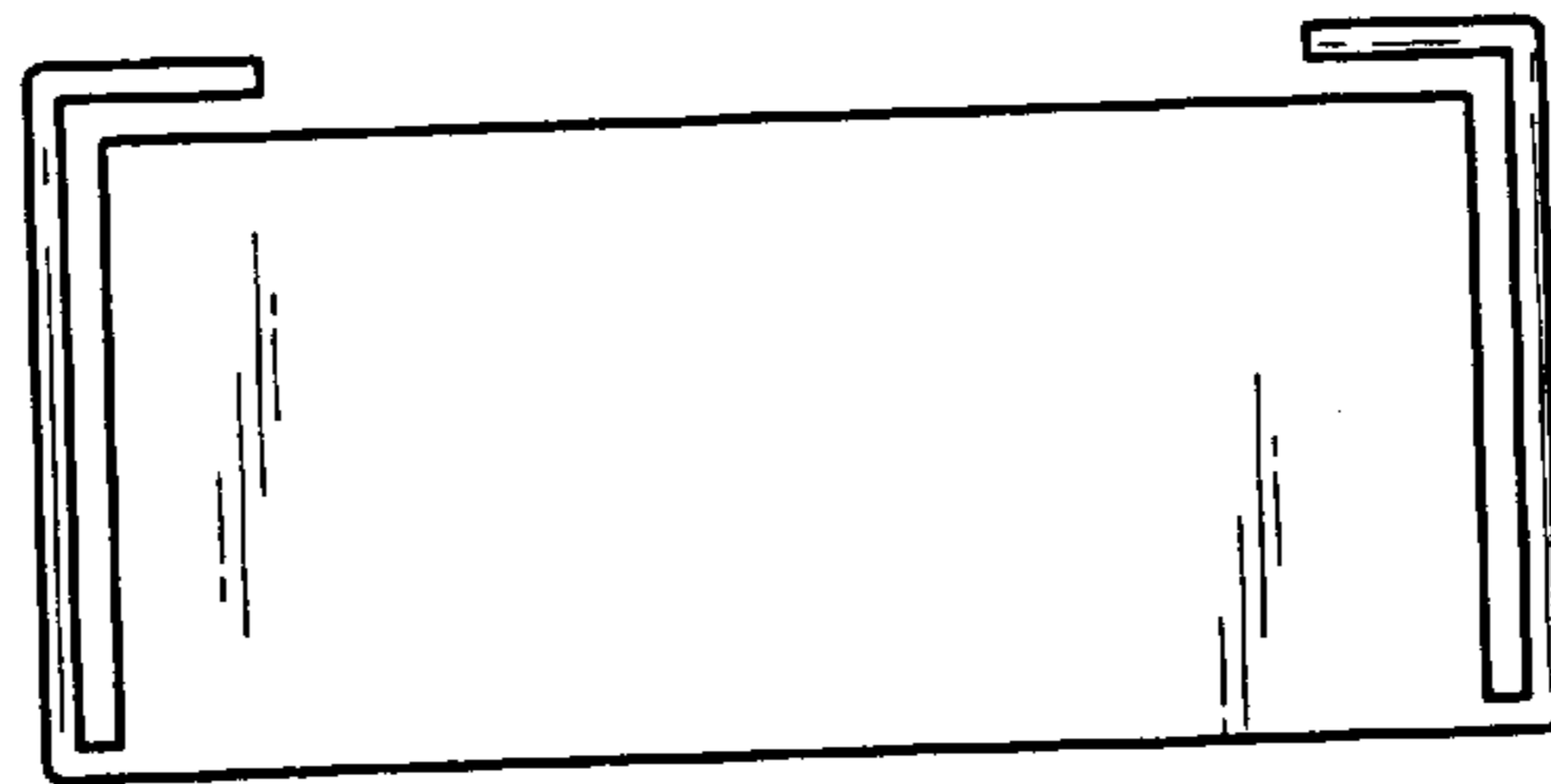


Fig. 3

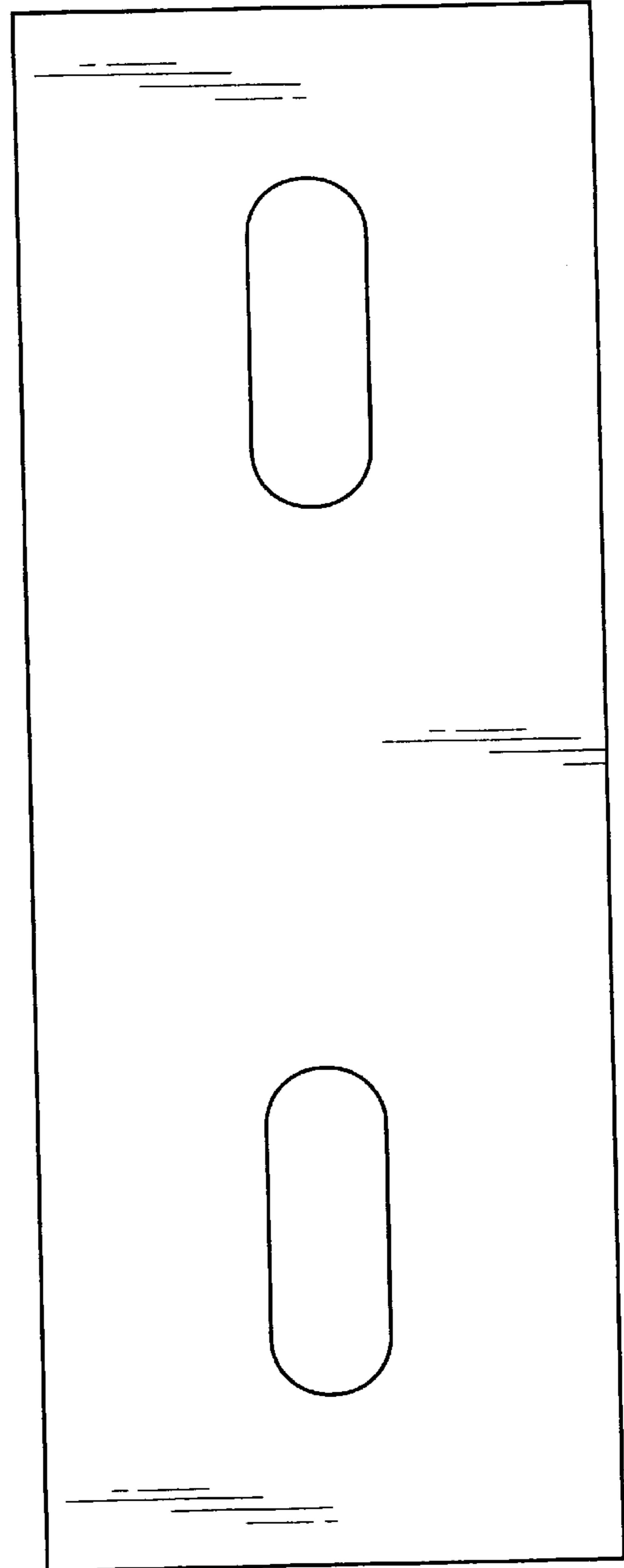
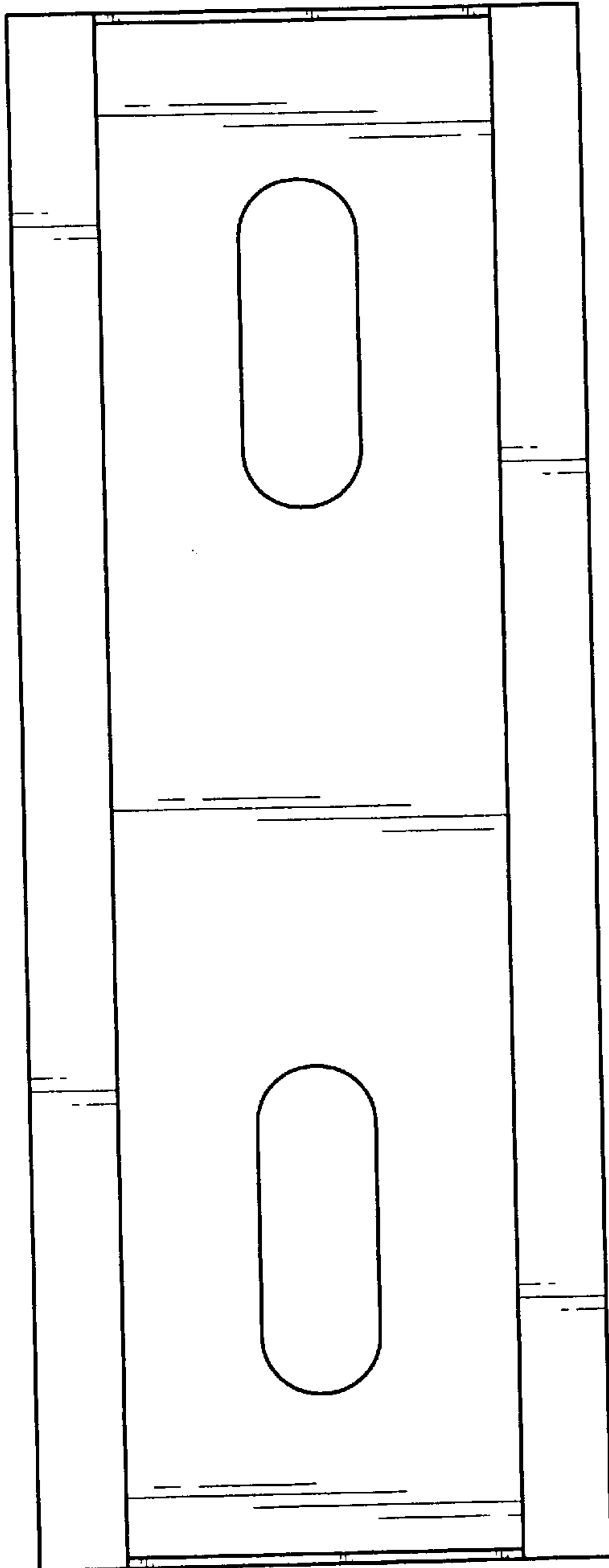


Fig. 4

Fig. 5

