



US00D460192S

(12) **United States Design Patent**  
**Collins et al.**

(10) **Patent No.:** **US D460,192 S**  
(45) **Date of Patent:** **\*\* Jul. 9, 2002**

- (54) **JET NOZZLE**
- (75) Inventors: **Sam Collins; Corey Warner**, both of Dallas, OR (US)
- (73) Assignee: **Marquis Corporation**, Independence, OR (US)
- (\*\*) Term: **14 Years**
- (21) Appl. No.: **29/149,139**
- (22) Filed: **Oct. 2, 2001**

D389,245 S \* 1/1998 Lopez ..... D24/204  
 5,915,849 A \* 6/1999 Dongo ..... 4/541.6  
 6,094,754 A \* 8/2000 Pinciario ..... 4/541.6  
 6,141,804 A \* 11/2000 Pinciario ..... 4/541.6

\* cited by examiner

*Primary Examiner*—Stella Reid  
(74) *Attorney, Agent, or Firm*—Karen Dana Oster

(57) **CLAIM**

The ornamental design for a jet nozzle, as shown and described.

**Related U.S. Application Data**

- (63) Continuation-in-part of application No. 29/131,718, filed on Oct. 25, 2000, now abandoned.
- (51) **LOC (7) Cl.** ..... **24-04**
- (52) **U.S. Cl.** ..... **D24/204**
- (58) **Field of Search** ..... D24/201, 204, D24/205; 4/541.1, 541.2, 541.3, 541.4, 541.5, 541.6

**DESCRIPTION**

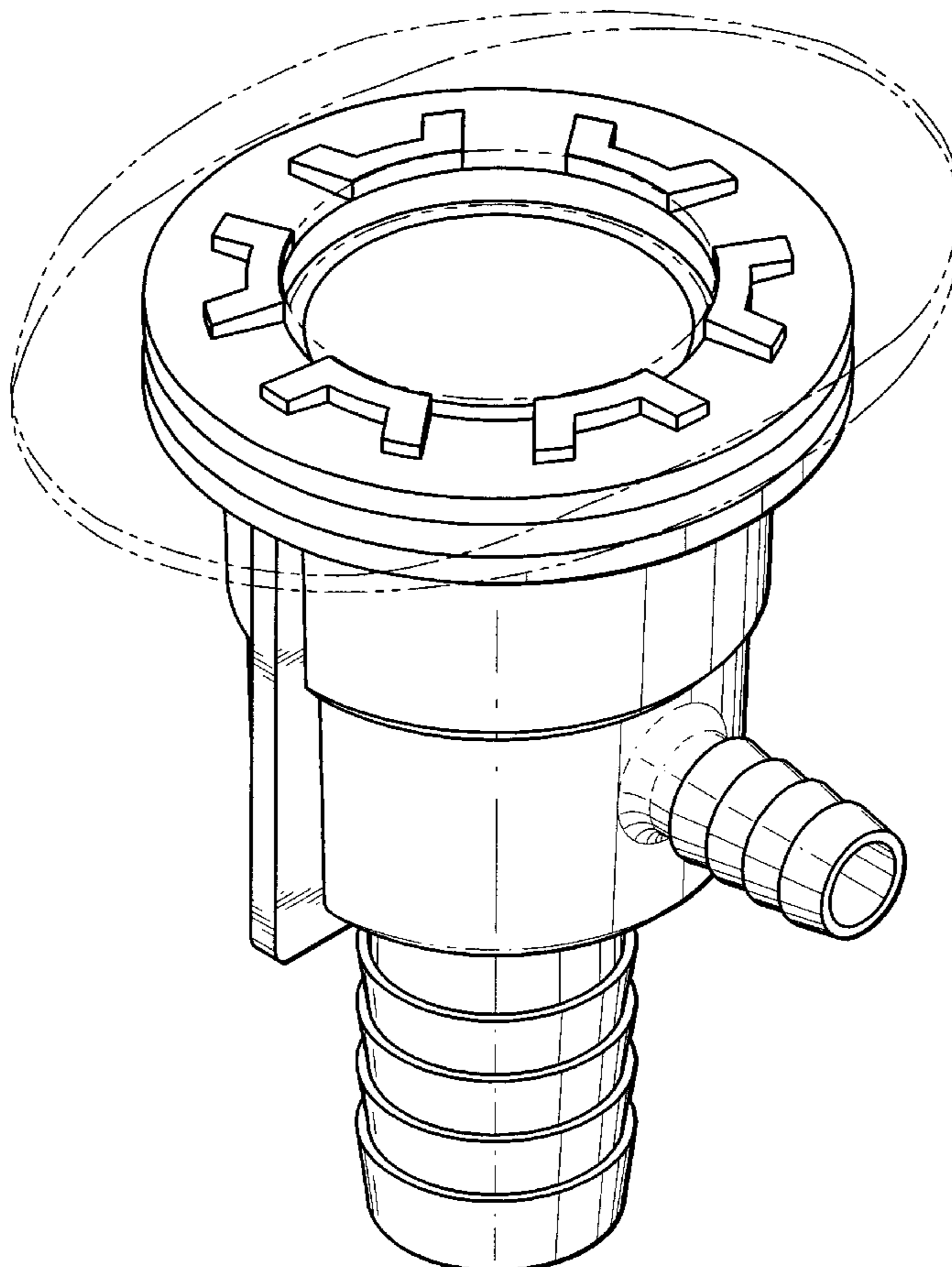
FIG. 1 is an isometric view of a jet nozzle showing the new design, wherein the broken line depiction of a removable face plate is included merely for illustrative purpose and forms no part of the claimed design.  
 FIG. 2 is a top plan view of the jet nozzle.  
 FIG. 3 is a bottom plan view of the jet nozzle.  
 FIG. 4 is a back view of the jet nozzle.  
 FIG. 5 is a first side view of the jet nozzle, the second side view being a mirror image thereof; and,  
 FIG. 6 is a front view of the jet nozzle.

(56) **References Cited**

**U.S. PATENT DOCUMENTS**

D320,086 S \* 9/1991 Moeller ..... D24/204

**1 Claim, 2 Drawing Sheets**



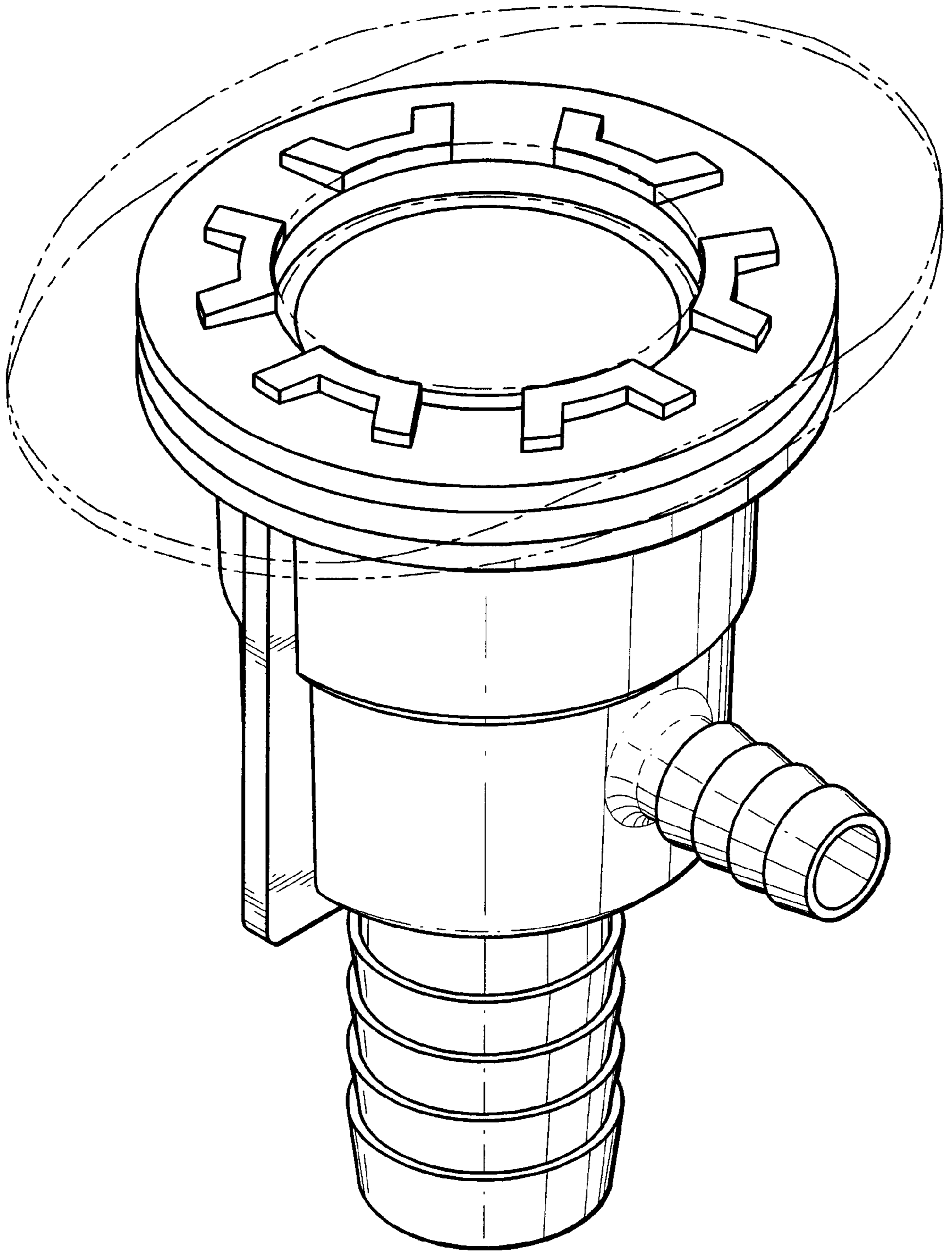


FIG. 1

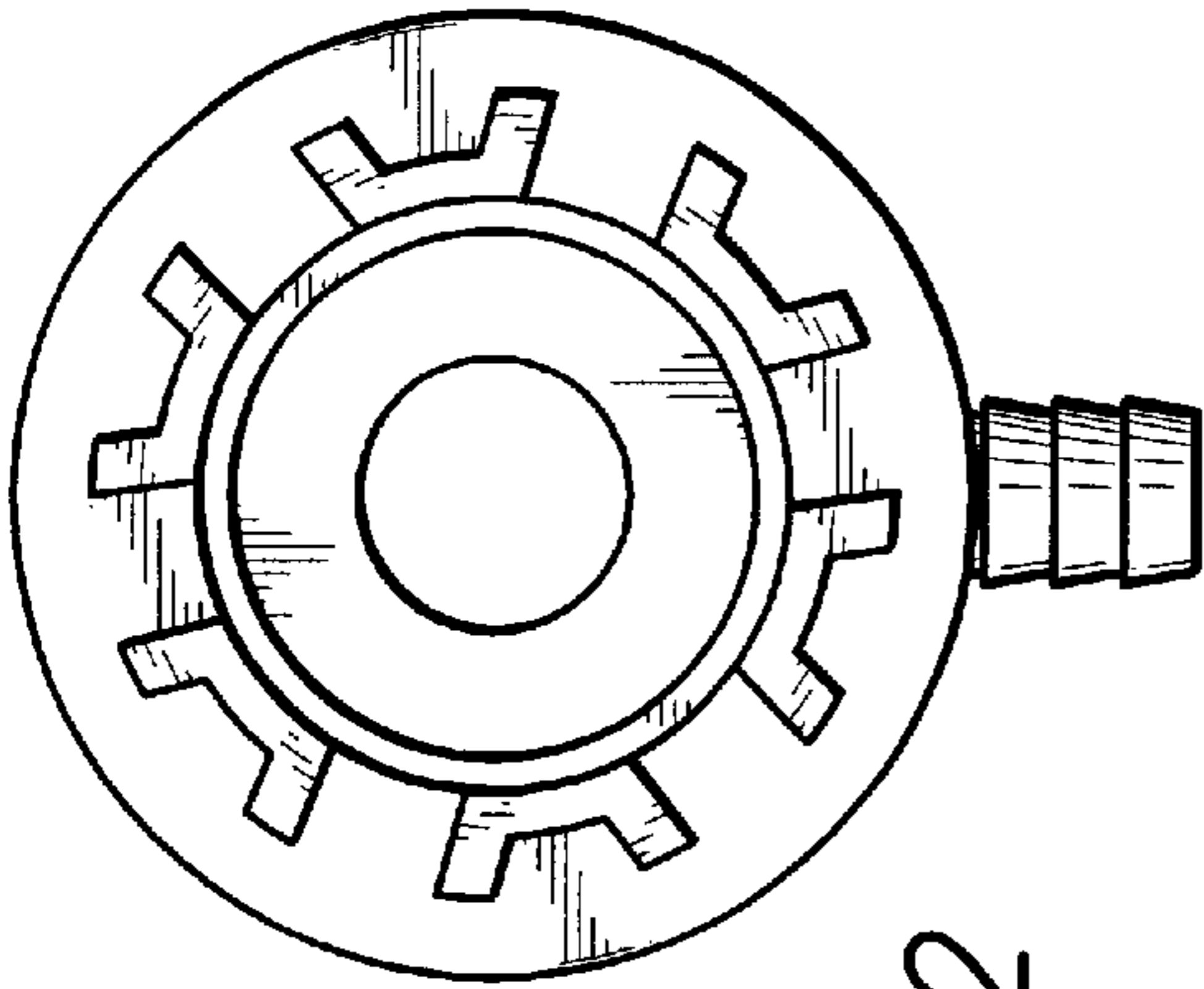


FIG. 2

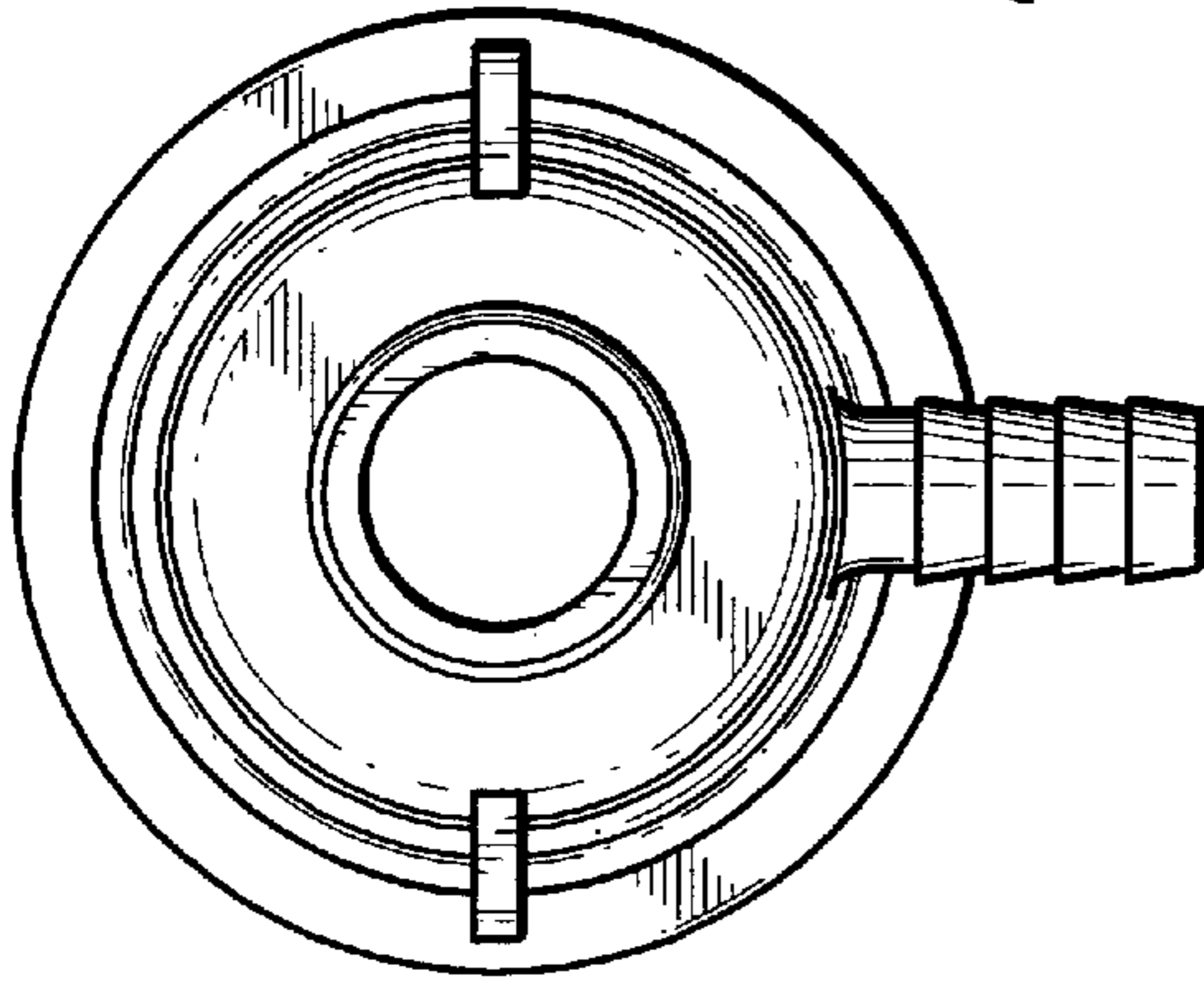


FIG. 3

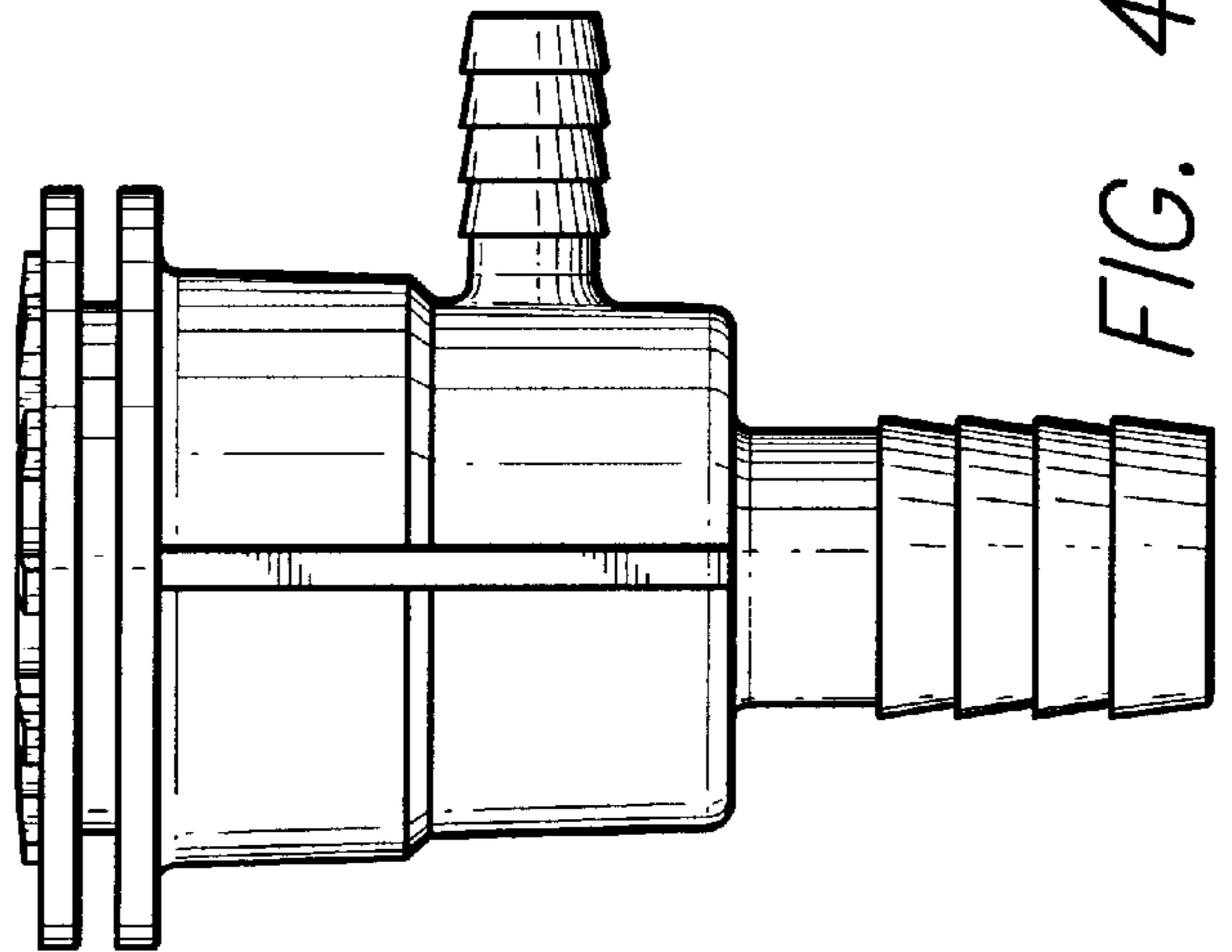


FIG. 4

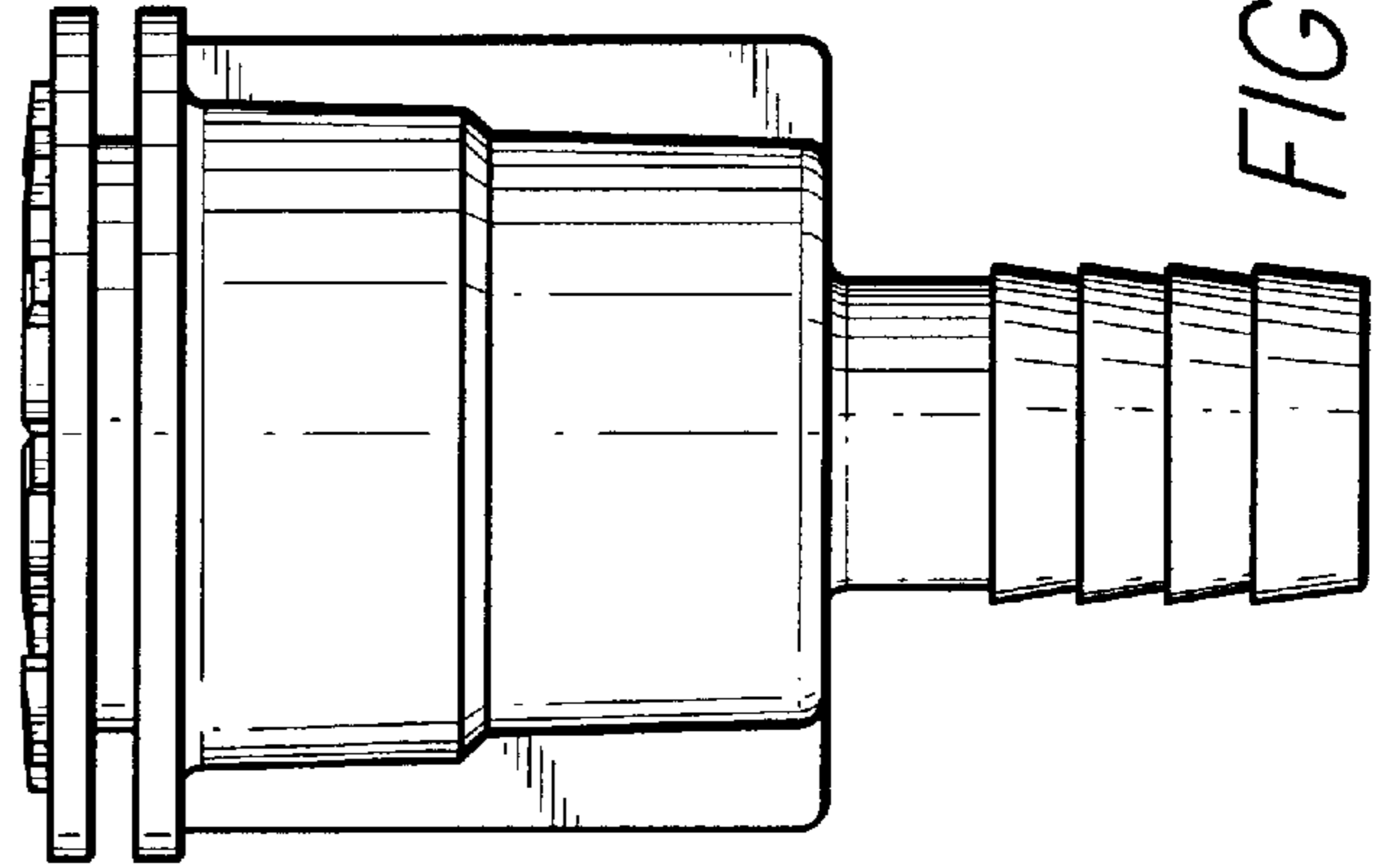


FIG. 5

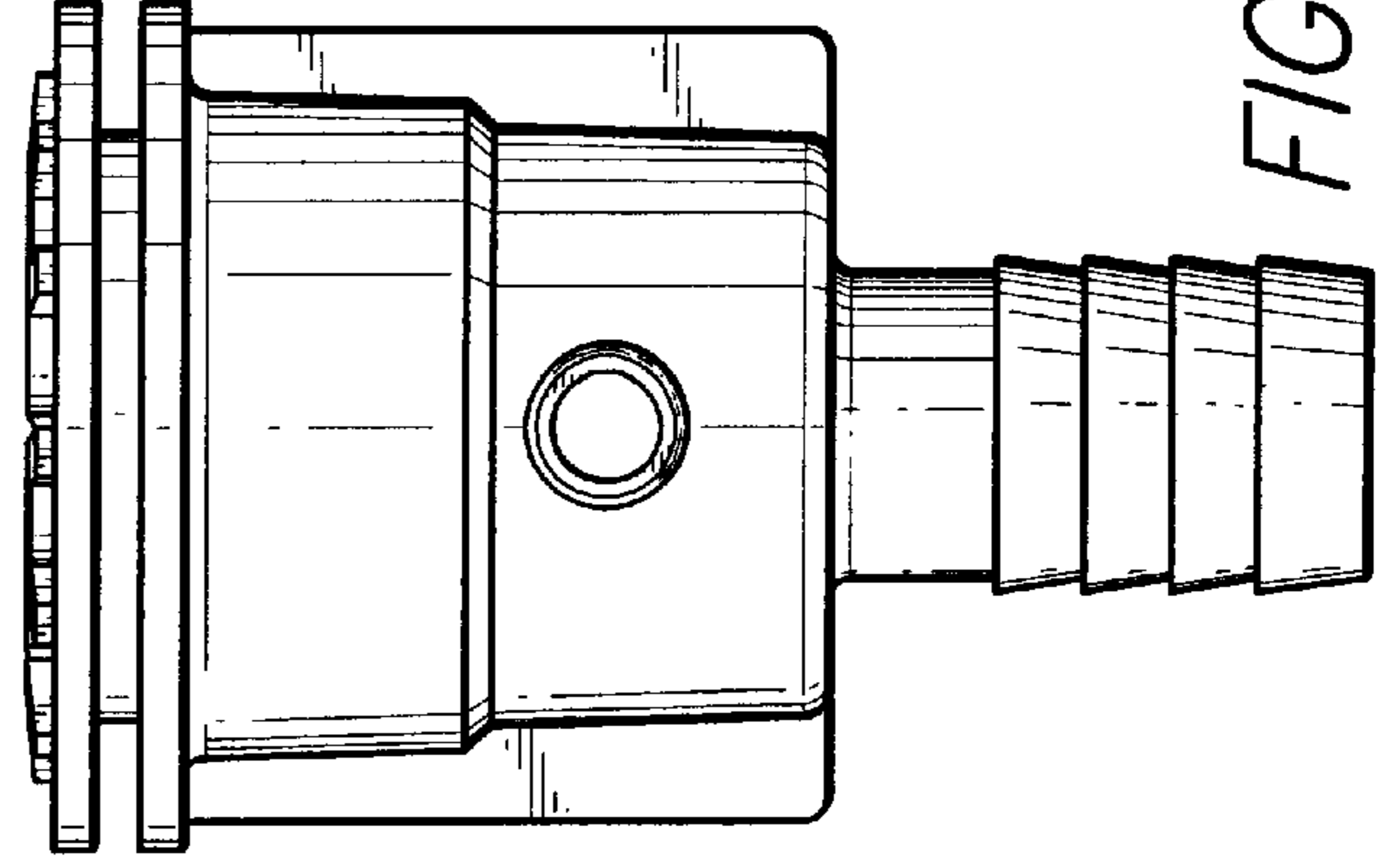


FIG. 6