



US00D460191S

(12) **United States Design Patent**
Wu

(10) **Patent No.:** **US D460,191 S**

(45) **Date of Patent:** **** Jul. 9, 2002**

(54) **MASSAGING BATH MAT WITH AIR BUBBLE GENERATING UNIT**

(76) **Inventor:** **Shu-Chih Wu**, 6F, No.405, Chung Shan Road, Sec. 2, Chung Ho, Taipei Hsien (TW)

(**) **Term:** **14 Years**

(21) **Appl. No.:** **29/144,288**

(22) **Filed:** **Jun. 29, 2001**

(51) **LOC (7) Cl.** **24-04**

(52) **U.S. Cl.** **D24/201**

(58) **Field of Search** D24/201, 200; 4/580, 581, 582, 583; 601/168, 158, 159

(56) **References Cited**

U.S. PATENT DOCUMENTS

3,809,073 A	*	5/1974	Baumann	601/168
D233,485 S	*	10/1974	Krages	D24/201
D288,607 S	*	3/1987	Baumann et al.	D24/201
D305,687 S	*	1/1990	Walczak et al.	D24/201
D310,877 S	*	9/1990	Reeves et al.	D24/201

5,050,591 A	*	9/1991	Sandrin	601/168
5,080,091 A	*	1/1992	Peterson et al.	601/168
D431,866 S	*	10/2000	Wu	D24/201
D449,111 S	*	10/2001	Lie	D24/201

* cited by examiner

Primary Examiner—Stella Reid

(74) *Attorney, Agent, or Firm*—Pro-Techtor International Services

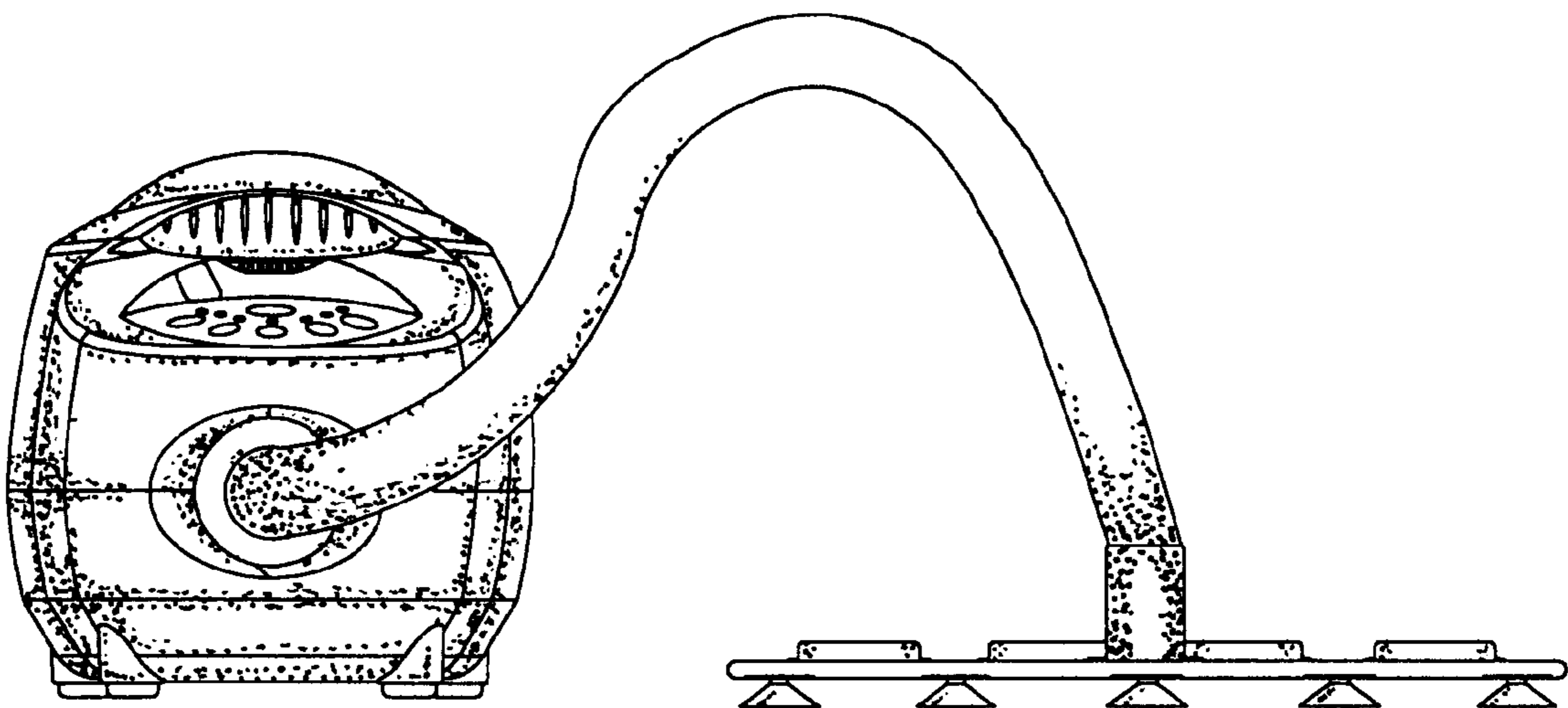
(57) **CLAIM**

The ornamental design for a massaging bath mat with air bubble generating unit, as shown.

DESCRIPTION

FIG. 1 is a front view of the present design; FIG. 2 is a back view of the design; FIG. 3 is a left side view of the design; FIG. 4 is a right side view of the design; FIG. 5 is a top view of the design; FIG. 6 is a bottom view of the design; and, FIG. 7 is a perspective view of the design.

1 Claim, 7 Drawing Sheets



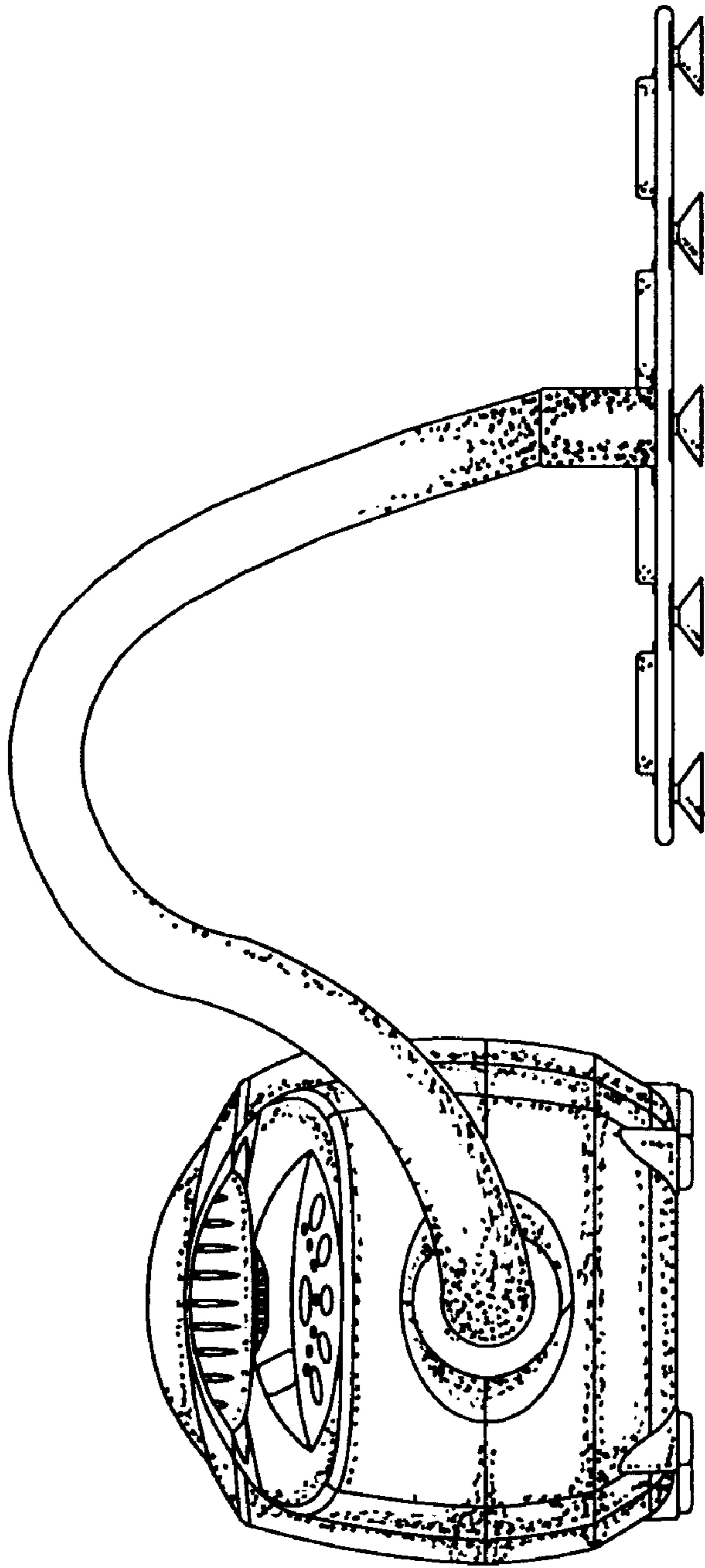


FIG. 1

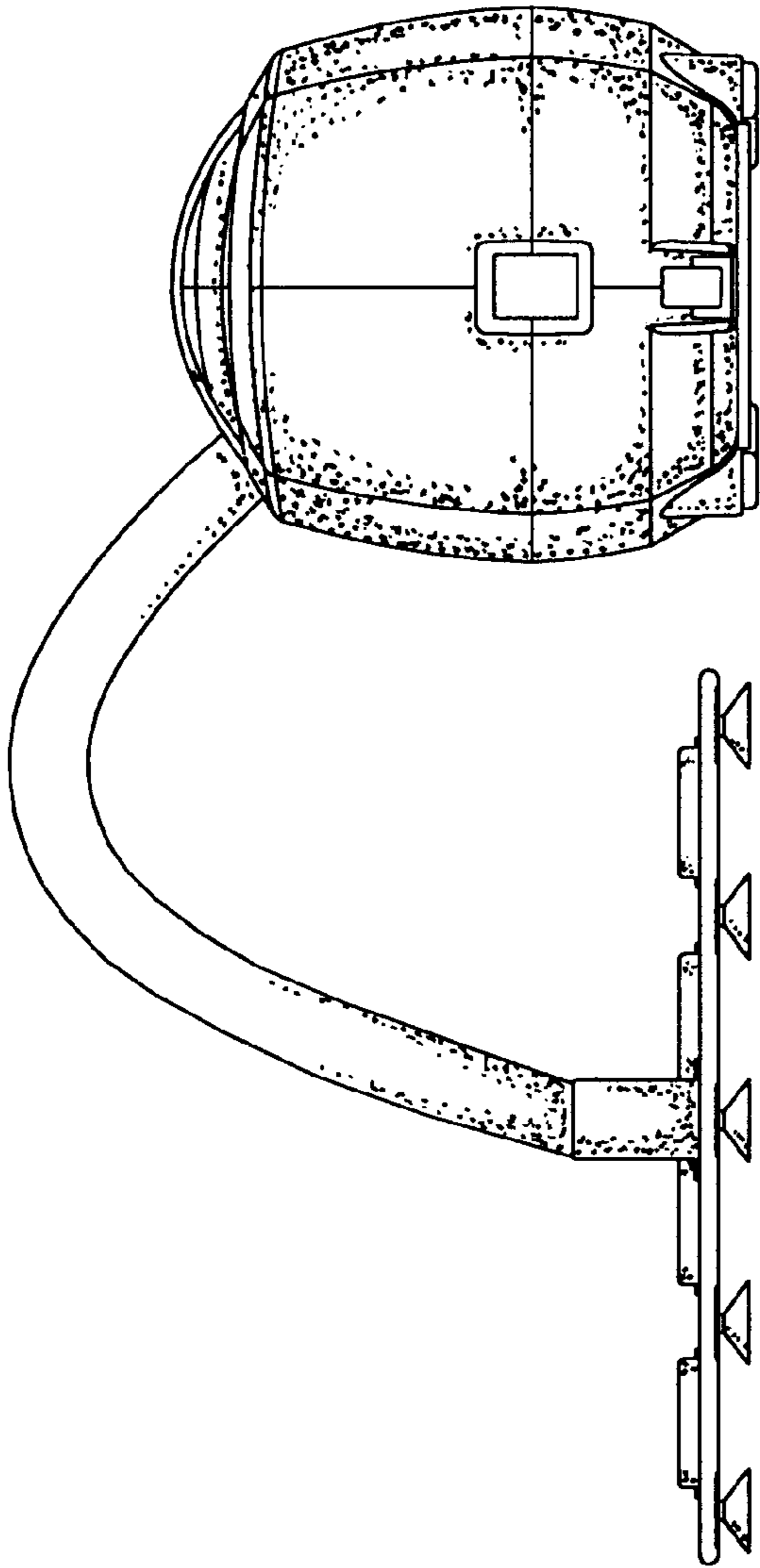


FIG. 2

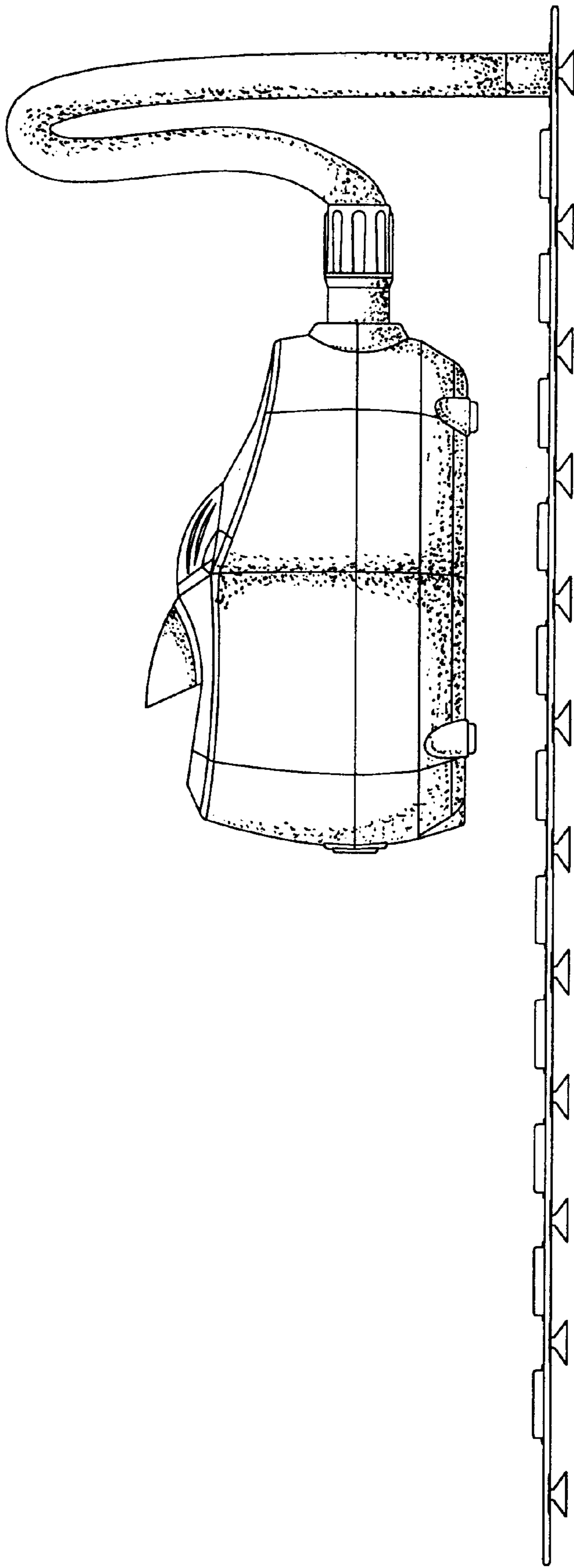


FIG. 3

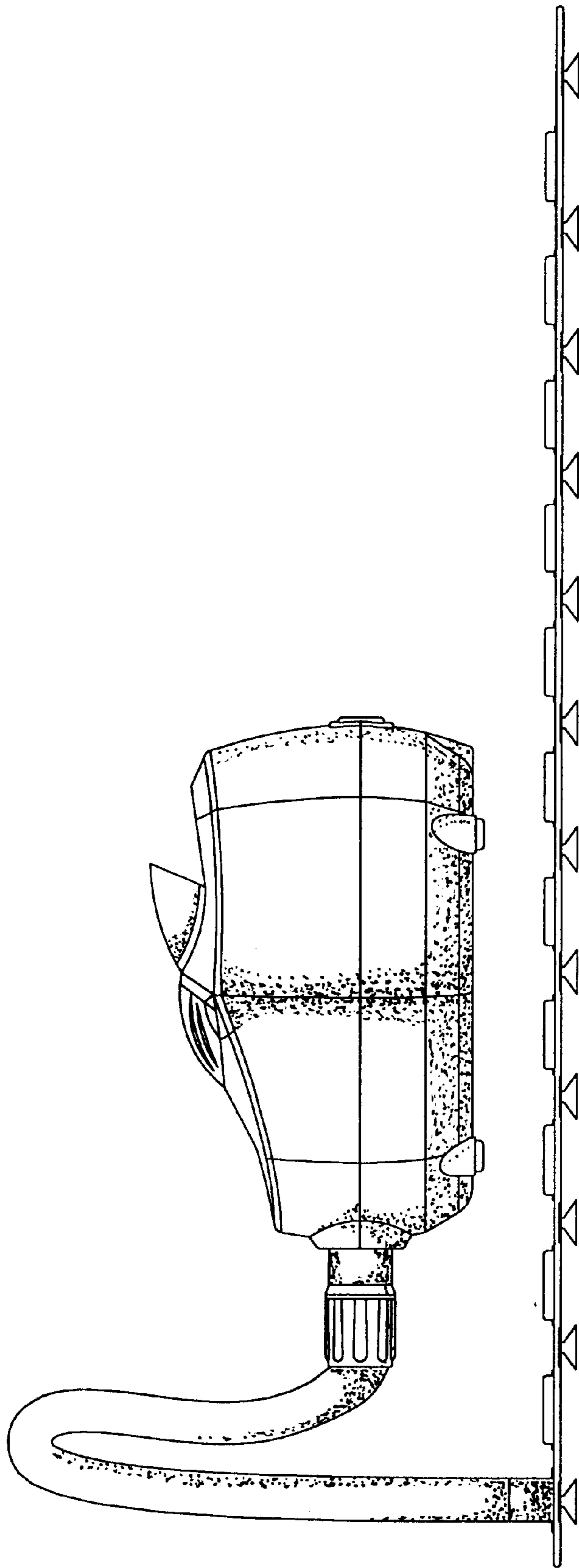


FIG. 4

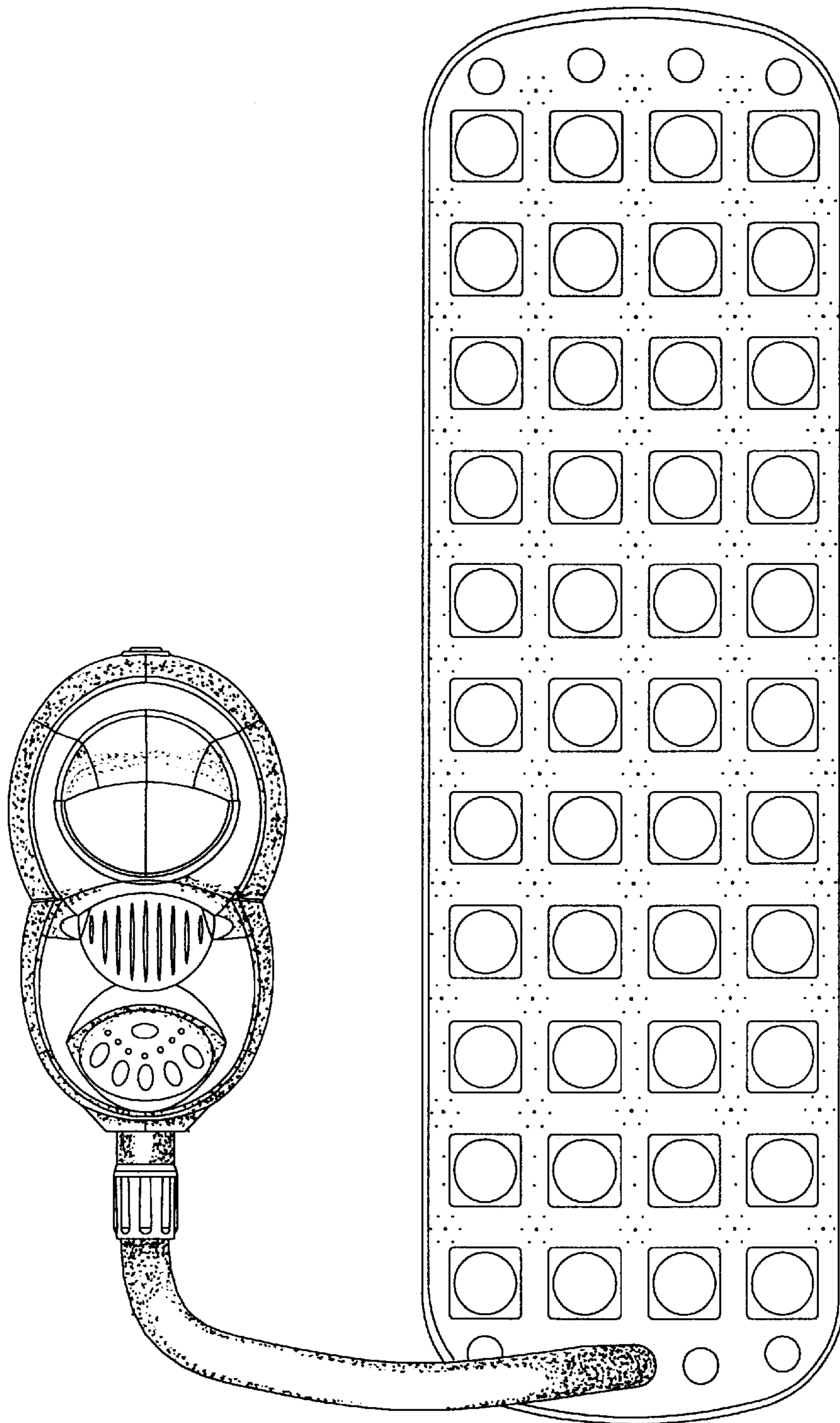


FIG. 5

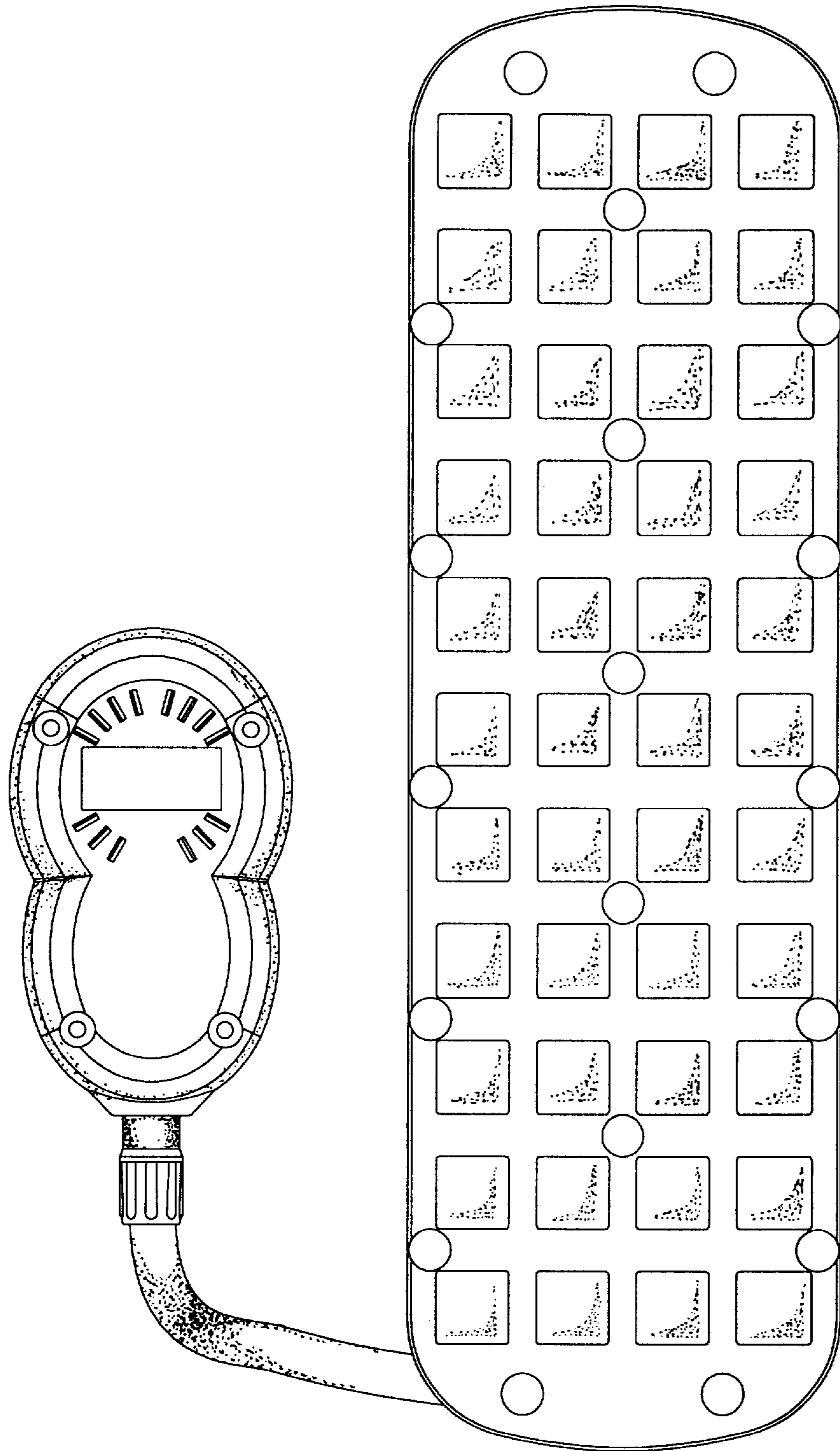


FIG. 6

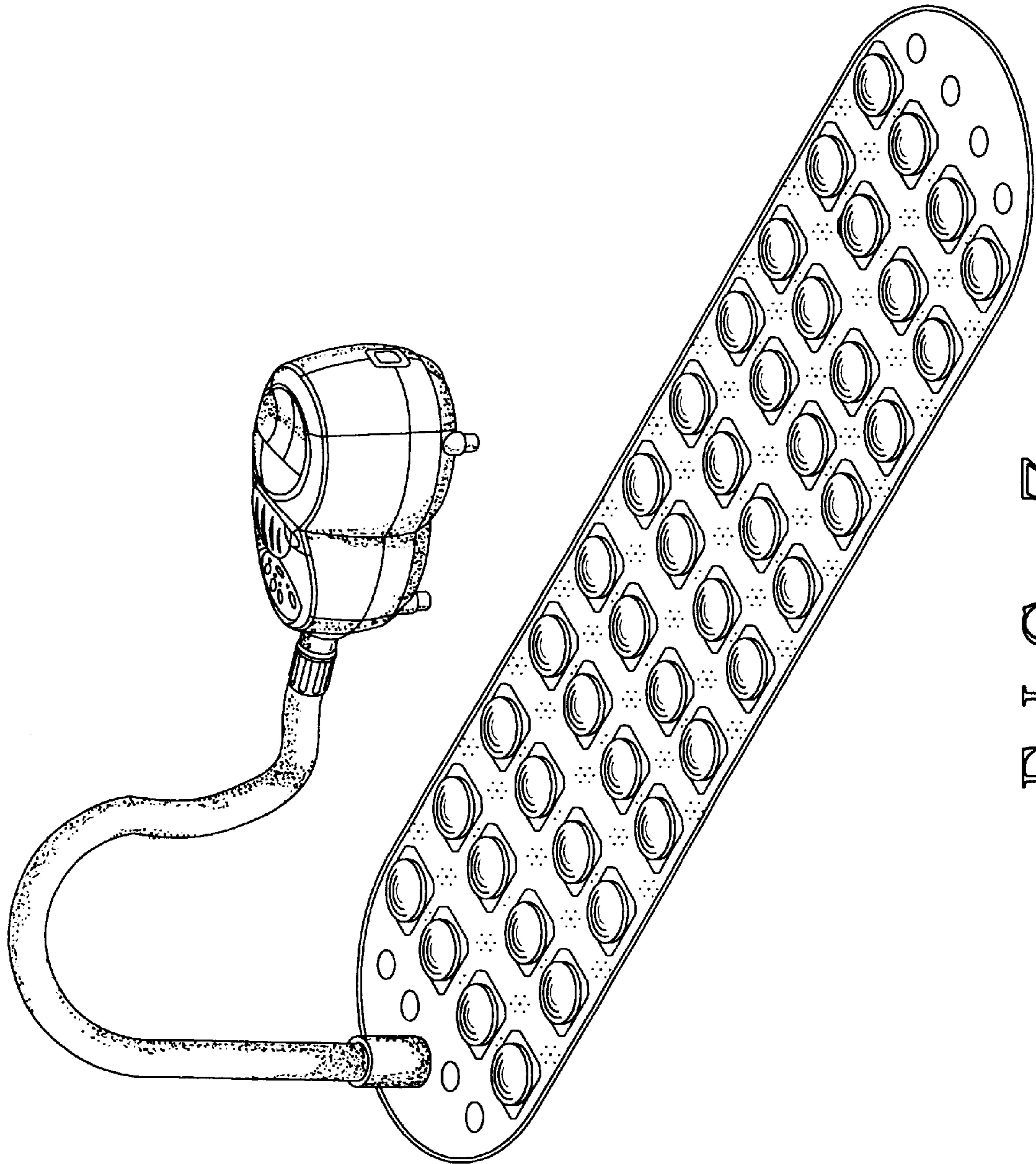


FIG. 7