



US00D460190S

(12) **United States Design Patent**
Tucek et al.

(10) **Patent No.: US D460,190 S**

(45) **Date of Patent: ** *Jul. 9, 2002**

(54) **CHIROPRACTIC ADJUSTOR APPARATUS**

4,841,955 A 6/1989 Evans et al. 128/52
5,140,979 A 8/1992 Nakagawa 128/55
5,618,315 A 4/1997 Elliott 606/237

(75) Inventors: **Kevin B. Tucek**, Chandler; **John W. Brimhall**, Mesa, both of AZ (US)

FOREIGN PATENT DOCUMENTS

(73) Assignee: **Tuco Innovations, Inc.**, Mesa, AZ (US)

CH 669897 A5 4/1989 601/108

(*) Notice: This patent is subject to a terminal disclaimer.

OTHER PUBLICATIONS

Chiropractic Adjustor Apparatus (FIGS. 1 & 1A) 1 Sheet.

(**) Term: **14 Years**

* cited by examiner

(21) Appl. No.: **29/134,664**

Primary Examiner—Stella Reid

(22) Filed: **Dec. 26, 2000**

(74) *Attorney, Agent, or Firm*—Flanagan & Flanagan; John R. Flanagan

(51) **LOC (7) Cl.** **24-01**

(57) **CLAIM**

(52) **U.S. Cl.** **D24/171**

(58) **Field of Search** D24/200, 171,
D24/214; 606/237, 238, 239, 240

The ornamental design for a chiropractic adjustor apparatus, as shown and described.

DESCRIPTION

(56) **References Cited**

U.S. PATENT DOCUMENTS

1,796,444 A	3/1931	Dell'era et al.	
2,076,410 A	4/1937	McGerry	128/55
2,078,025 A	4/1937	Samuels	128/55
3,706,309 A	* 12/1972	Toftness	606/238
4,088,128 A	5/1978	Mabuchi	128/52
4,116,235 A	* 9/1978	Fuhr et al.	606/238
4,461,286 A	* 7/1984	Sweat	606/238
4,549,535 A	10/1985	Wing	128/55
4,566,442 A	* 1/1986	Mabuchi et al.	601/101
4,716,890 A	1/1988	Bichel	128/55

FIG. 1 is a perspective view of a chiropractic adjustor apparatus, showing our new design, with the cord portion broken away for ease of illustration.

FIG. 2 is a left side elevational view of the apparatus.

FIG. 3 is a right side elevational view of the apparatus.

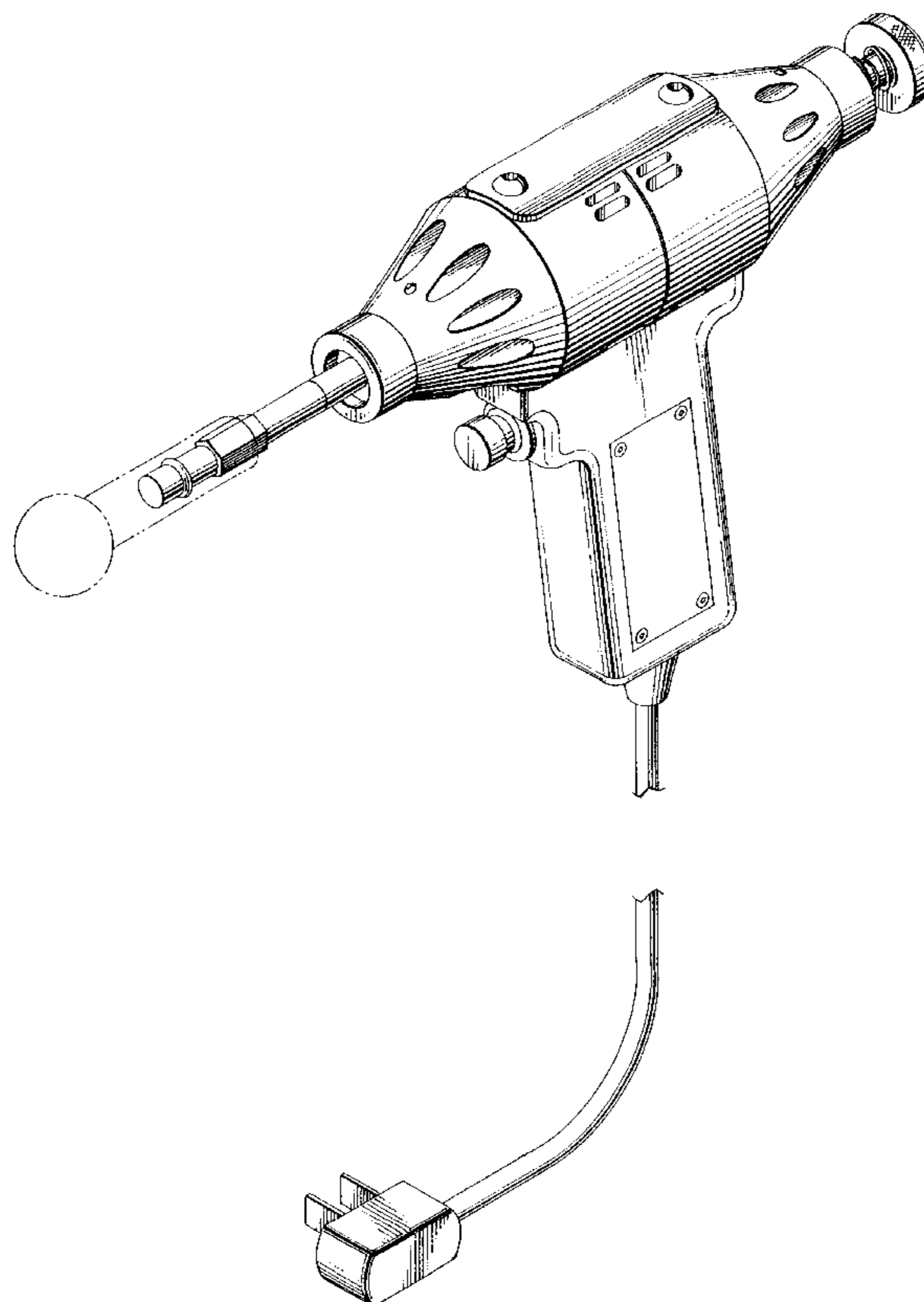
FIG. 4 is a top plan view of the apparatus.

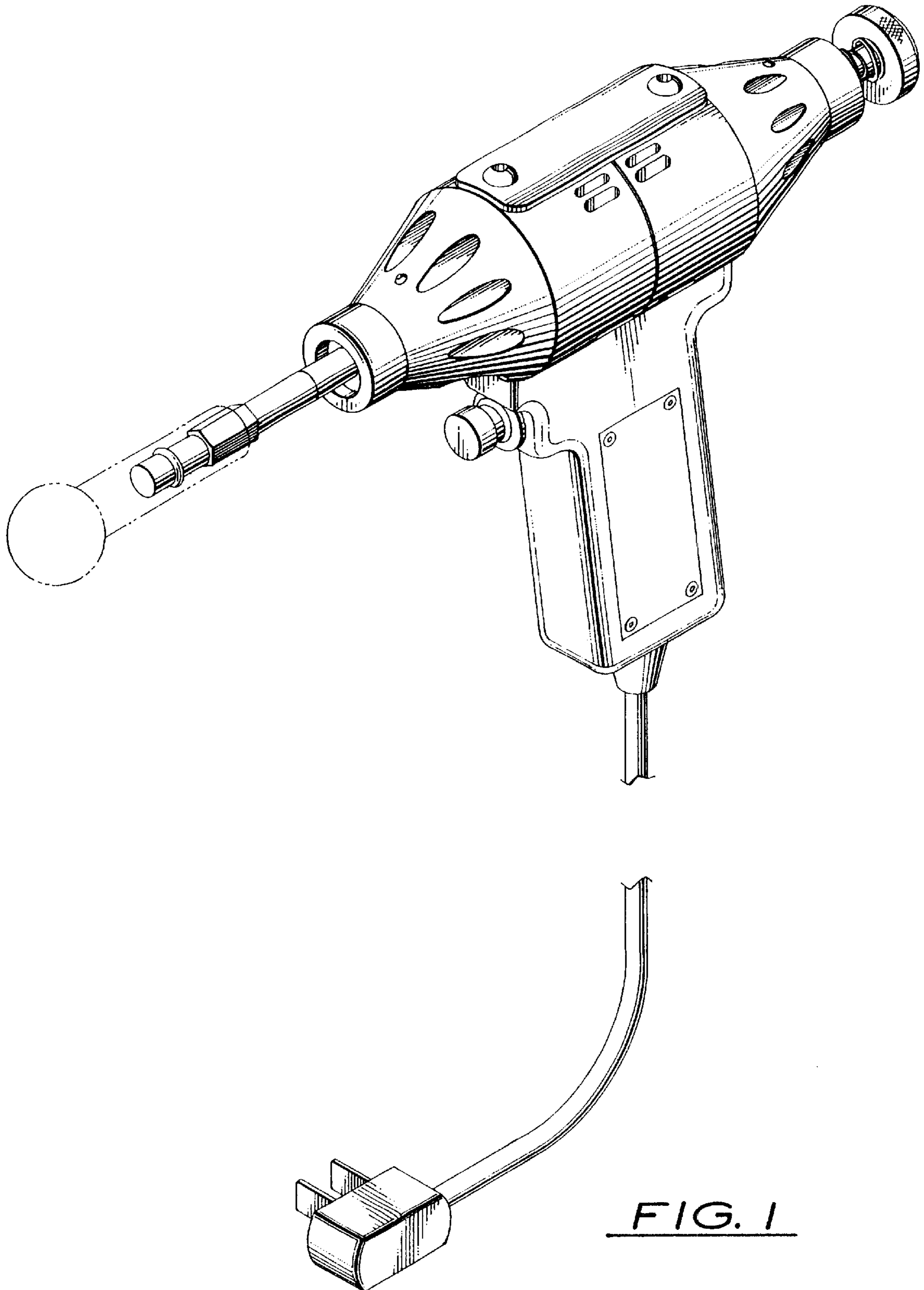
FIG. 5 is a bottom plan view of the apparatus.

FIG. 6 is a front elevational view of the apparatus; and,

FIG. 7 is a rear elevational view of the apparatus.

1 Claim, 3 Drawing Sheets





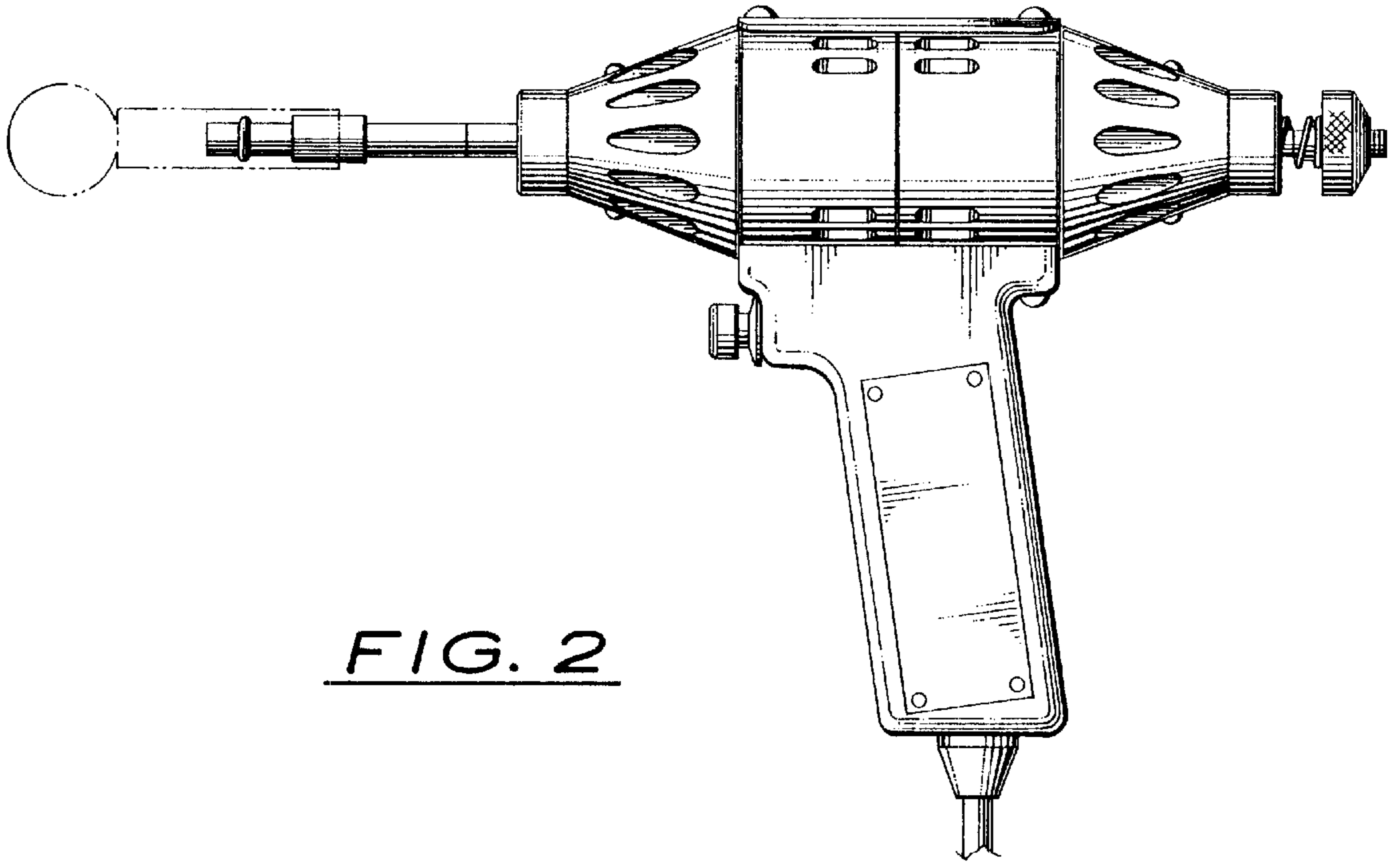


FIG. 2

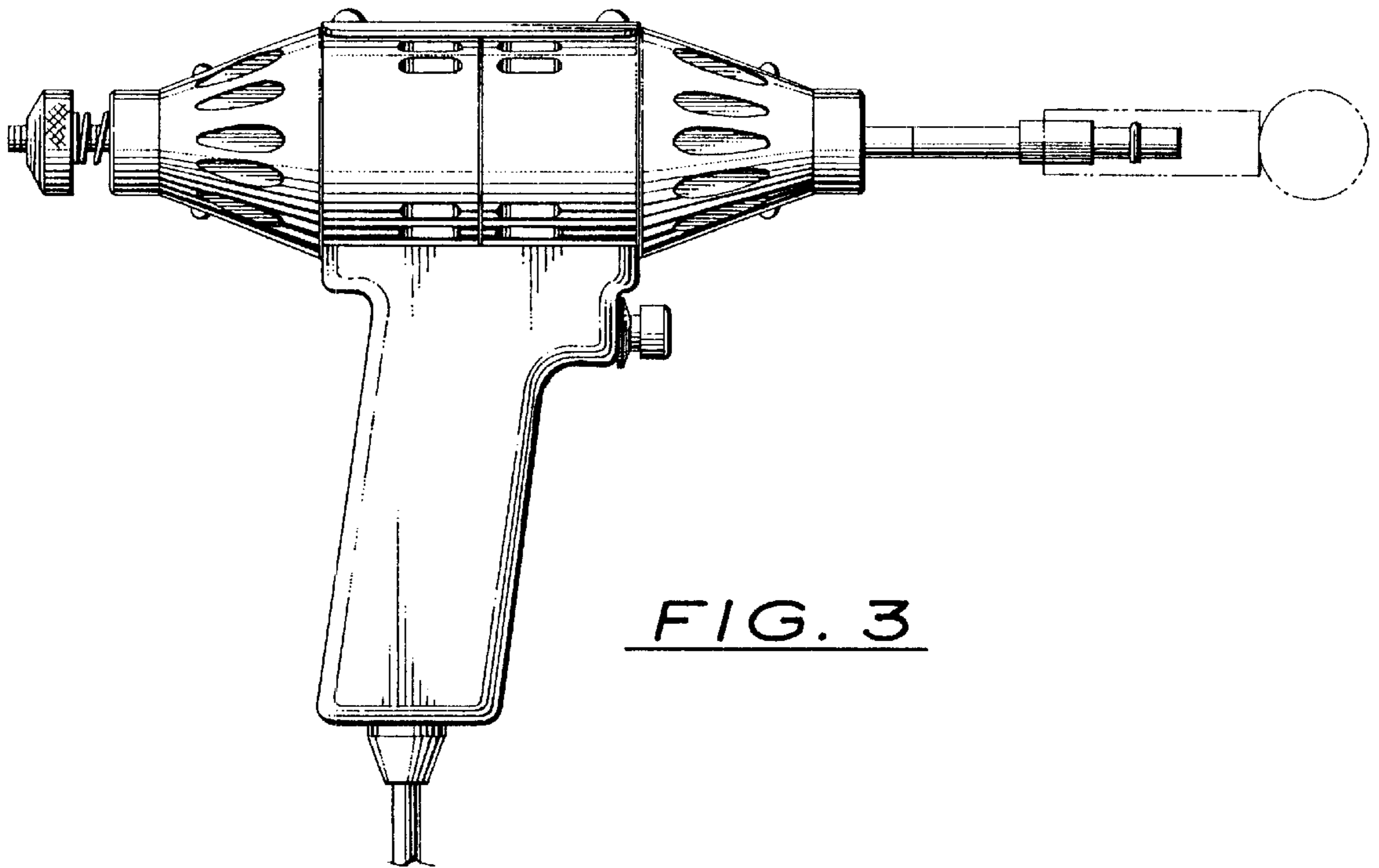


FIG. 3

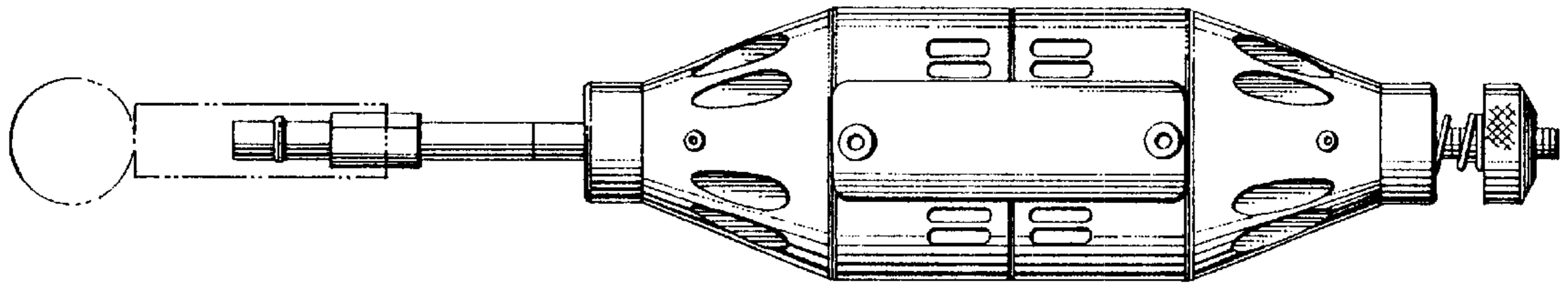


FIG. 4

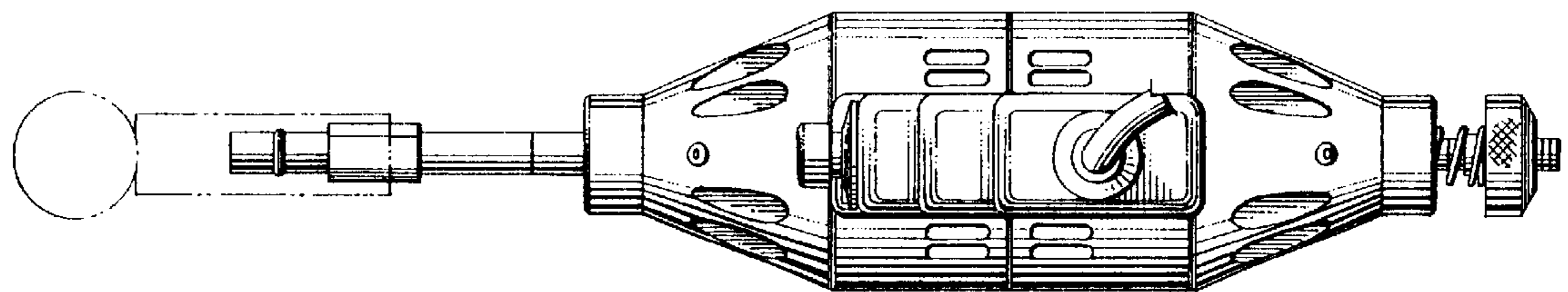


FIG. 5

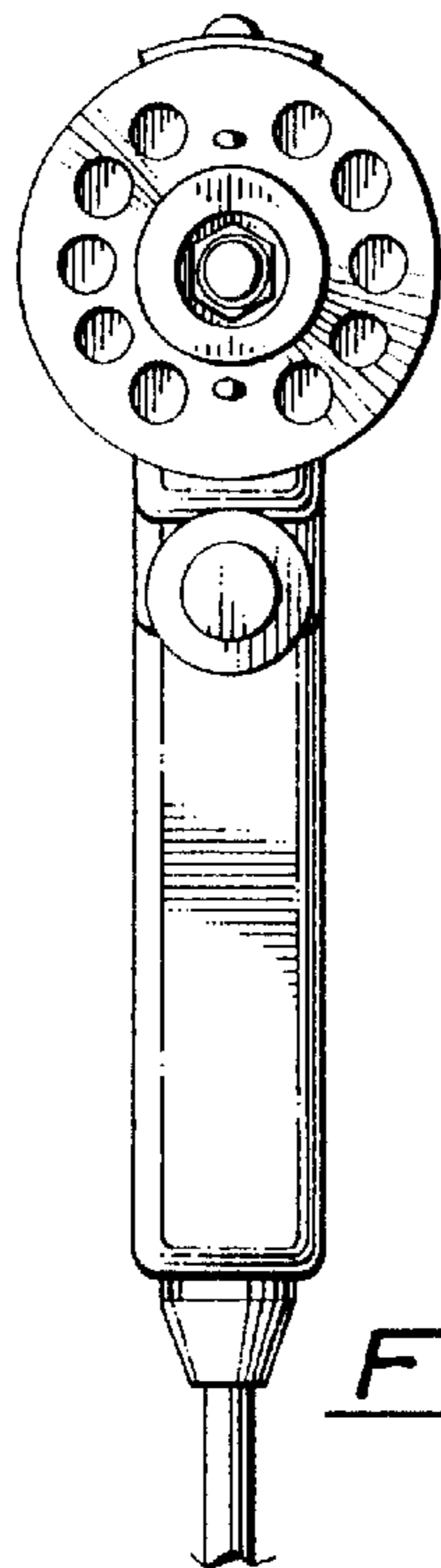


FIG. 6

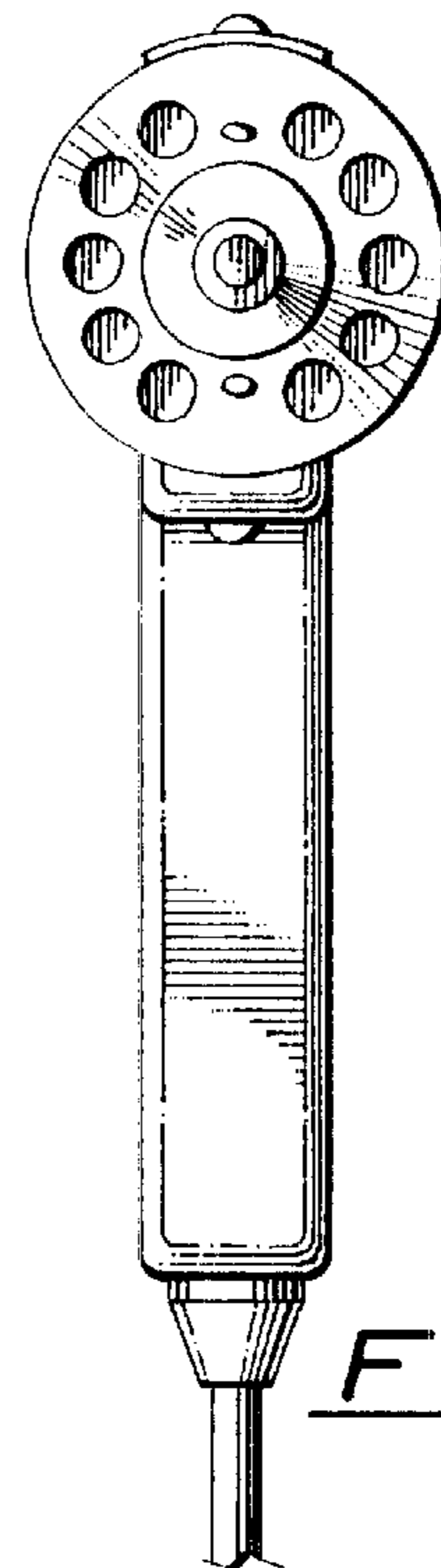


FIG. 7