



US00D460184S

(12) **United States Design Patent**
Schendel et al.

(10) **Patent No.:** **US D460,184 S**

(45) **Date of Patent:** **** Jul. 9, 2002**

(54) **BONE DISTRACTION DEVICE**

(76) Inventors: **Stephen A. Schendel**, 1001 Hermosa Way, Menlo Park, CA (US) 94025;
Gregory M. Mercuri, 8159 Lawndale La., Maple Grove, MN (US) 55311;
Brian Buss, 7150 Brookcove La., Dallas, TX (US) 75214

(**) Term: **14 Years**

(21) Appl. No.: **29/117,651**

(22) Filed: **Jan. 28, 2000**

(51) **LOC (7) Cl.** **24-02**

(52) **U.S. Cl.** **D24/133; D24/140; D24/155**

(58) **Field of Search** **D24/140, 133, D24/155; 606/57, 53, 60, 58, 102, 71, 105, 61, 55, 70**

(56) **References Cited**

U.S. PATENT DOCUMENTS

2,333,033 A	10/1943	Mraz
3,604,414 A	9/1971	Borges
3,680,553 A	8/1972	Seppo
3,900,025 A	8/1975	Barnes, Jr.
4,096,857 A	6/1978	Cramer et al.
4,157,715 A	6/1979	Westerhoff
4,475,546 A	10/1984	Patton
4,615,338 A	10/1986	Ilizarov et al.

5,129,903 A	7/1992	Luhr et al.	
5,364,396 A	11/1994	Robinson et al.	
5,376,091 A	* 12/1994	Hotchkiss et al.	606/55
5,466,261 A	11/1995	Richelsoph	
5,700,263 A	12/1997	Schendel	
5,846,245 A	* 12/1998	McCarthy et al.	606/105
5,885,283 A	* 3/1999	Gittleman	606/57
5,902,304 A	* 5/1999	Walker et al.	606/71
6,001,097 A	* 12/1999	Campopiano et al.	606/57
6,123,707 A	* 9/2000	Wagner	606/61

* cited by examiner

Primary Examiner—Ian Simmons

(74) *Attorney, Agent, or Firm*—Burns, Doane, Swecker & Mathis LLP

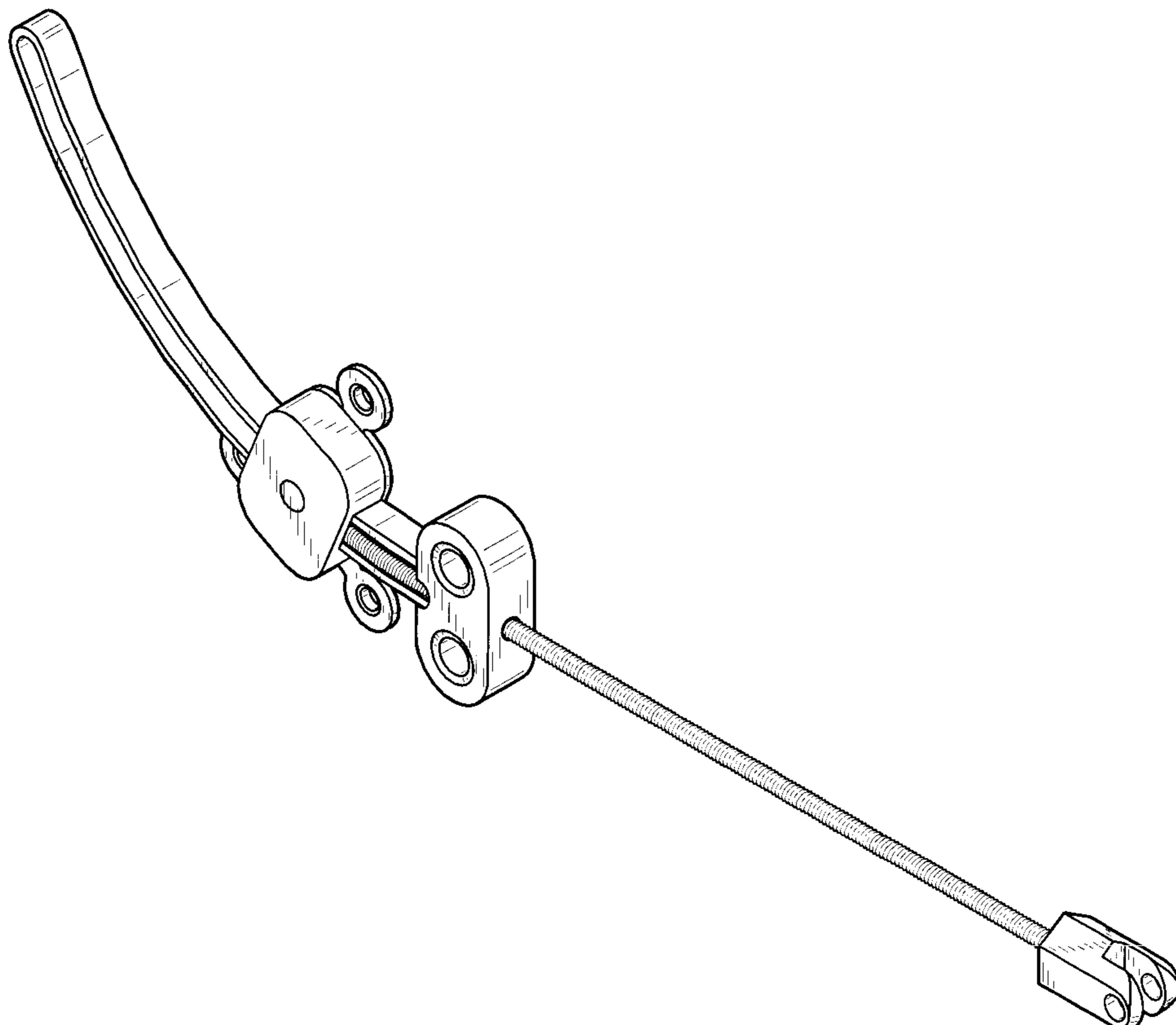
(57) **CLAIM**

The ornamental design for a bone distraction device, as shown and described.

DESCRIPTION

FIG. 1 is a perspective view of the bone distraction device; FIG. 2 is a left side view thereof; FIG. 3 is a top view thereof; FIG. 4 is a right side view thereof; FIG. 5 is a bottom view thereof; FIG. 6 is a back view thereof; and, FIG. 7 is a front view thereof.

1 Claim, 3 Drawing Sheets



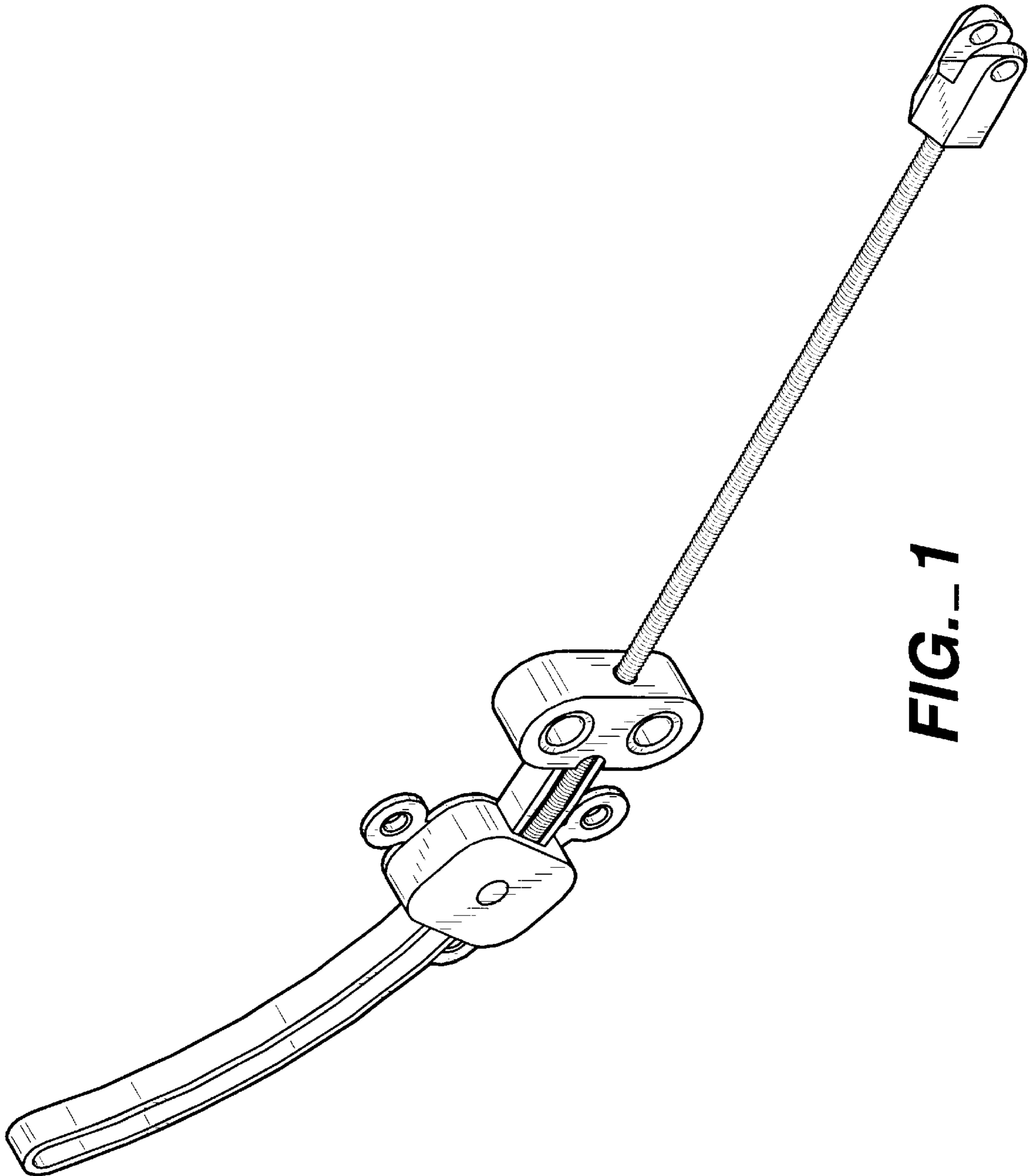


FIG. 1

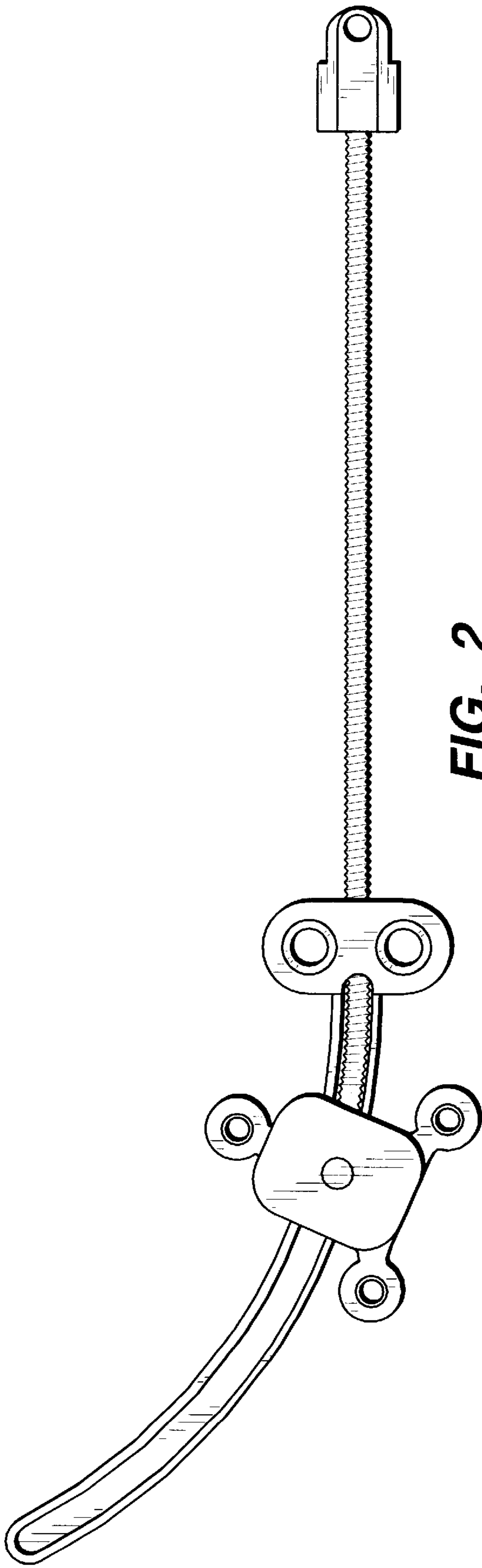


FIG. 2

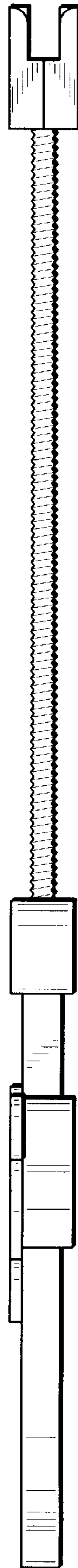


FIG. 3

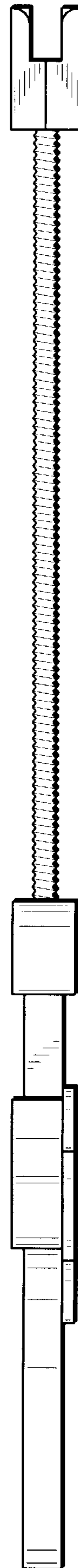


FIG. 5

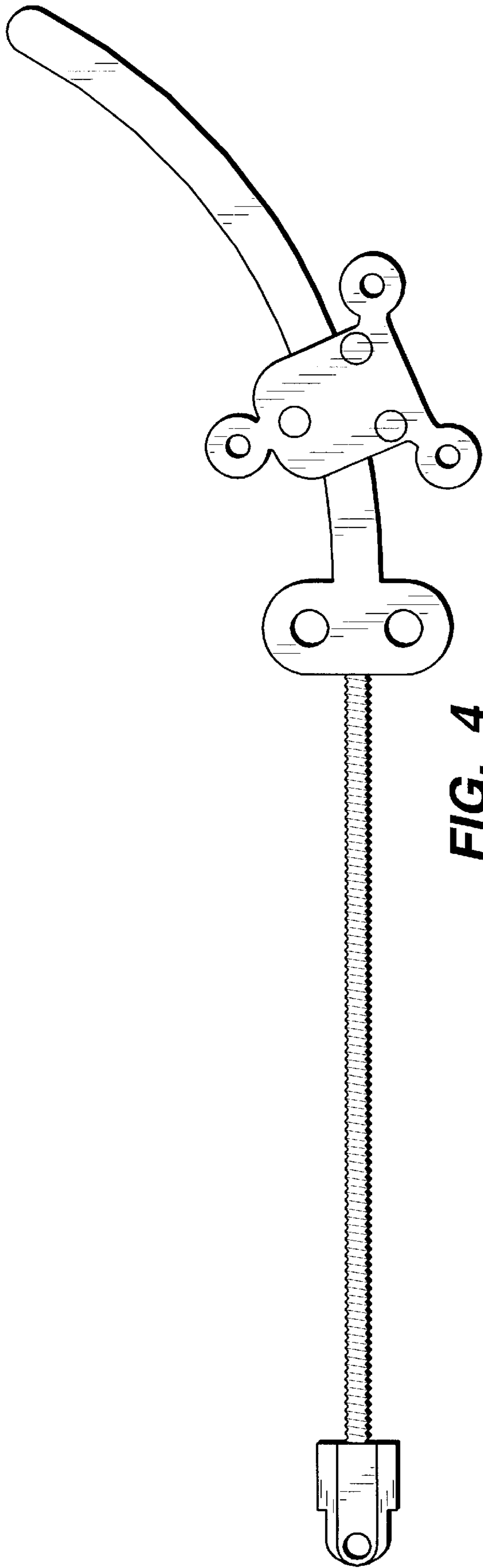


FIG. 4

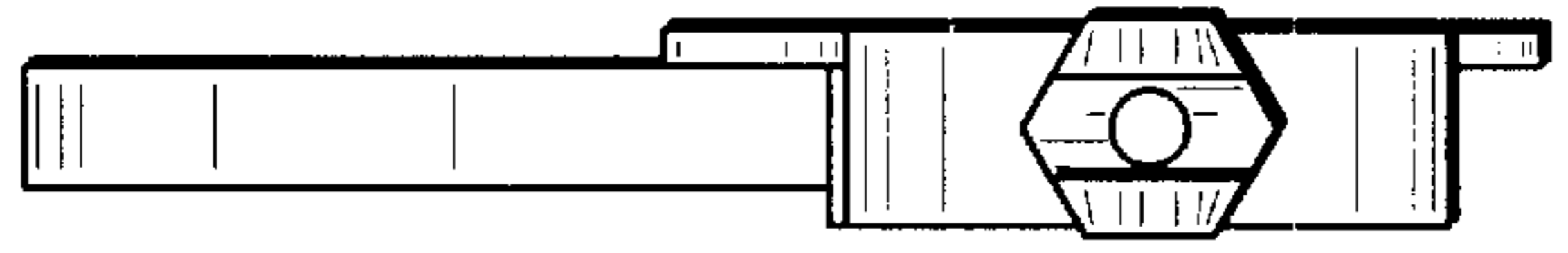


FIG. 7

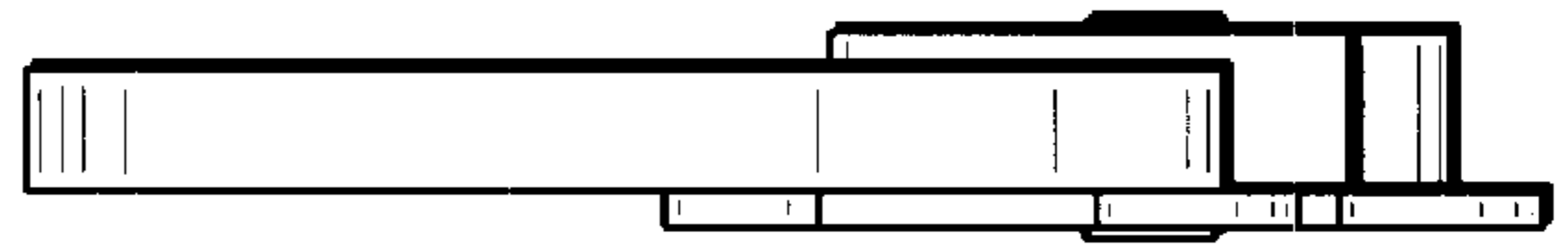


FIG. 6