



US00D460169S

(12) **United States Design Patent**
Anderson et al.

(10) **Patent No.:** **US D460,169 S**

(45) **Date of Patent:** **** Jul. 9, 2002**

(54) **FILTER ELEMENT HAVING AN INLET GRID**

(75) **Inventors:** **Ross Norman Anderson**, Chanhassen;
Wayne R. W. Bishop, St. Louis Park;
Steven Scott Gieseke, Richfield;
Thomas John Lundgren, Bloomington,
all of MN (US)

(73) **Assignee:** **Donaldson Company Inc.**,
Minneapolis, MN (US)

(**) **Term:** **14 Years**

(21) **Appl. No.:** **29/143,032**

(22) **Filed:** **Jun. 6, 2001**

(51) **LOC (7) Cl.** **23-04**

(52) **U.S. Cl.** **D23/365**

(58) **Field of Search** D23/365; 55/385.3,
55/498, 502

(56) **References Cited**

U.S. PATENT DOCUMENTS

1,238,068 A	8/1917	Slater et al.	
2,599,604 A	6/1952	Bauer et al.	
4,925,561 A	5/1990	Ishii et al.	
5,130,100 A	* 7/1992	Serizawa	55/385.3
5,266,195 A	11/1993	Hopkins	
5,304,312 A	4/1994	Forster et al.	
5,374,402 A	12/1994	Hitachi et al.	
5,435,870 A	7/1995	Takagaki et al.	
5,543,007 A	8/1996	Takagaki et al.	
5,714,126 A	2/1998	Frund	
D396,098 S	7/1998	Gillingham et al.	

5,820,646 A	10/1998	Gillingham et al.	
5,895,574 A	4/1999	Friedmann et al.	
6,190,432 B1	2/2001	Gieseke et al.	
6,210,469 B1	4/2001	Tokar	
6,235,195 B1	5/2001	Tokar	
D450,826 S	* 11/2001	Song	D23/365

* cited by examiner

Primary Examiner—Lisa Lichtenstein

(74) *Attorney, Agent, or Firm*—Merchant & Gould P.C.

(57) **CLAIM**

The ornamental design for filter element having an inlet grid, as shown and described.

DESCRIPTION

FIG. 1 is an end view of a filter element having an inlet grid, embodying our new design, being for illustrative purposes only and forming no part of the claimed design;

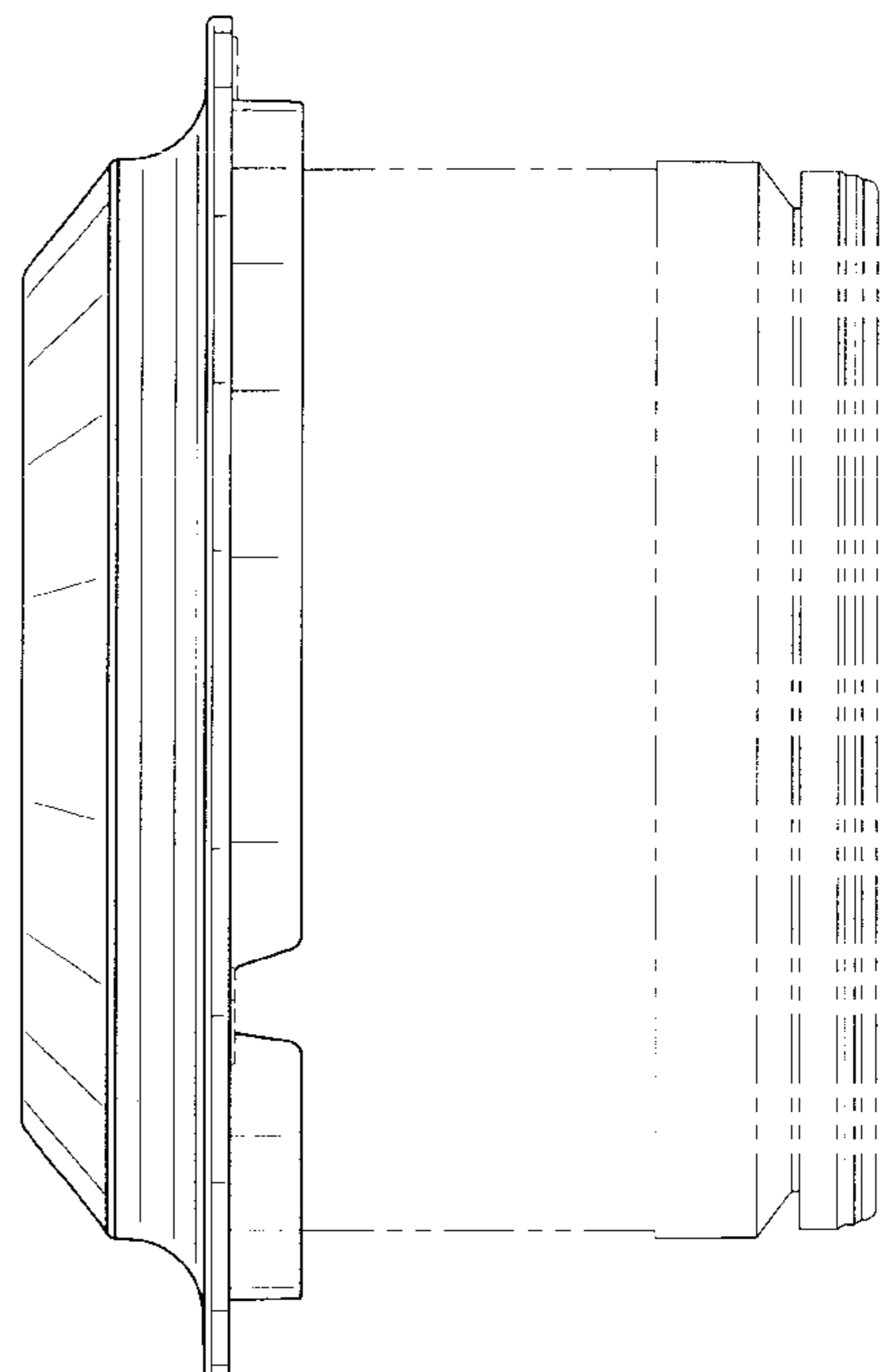
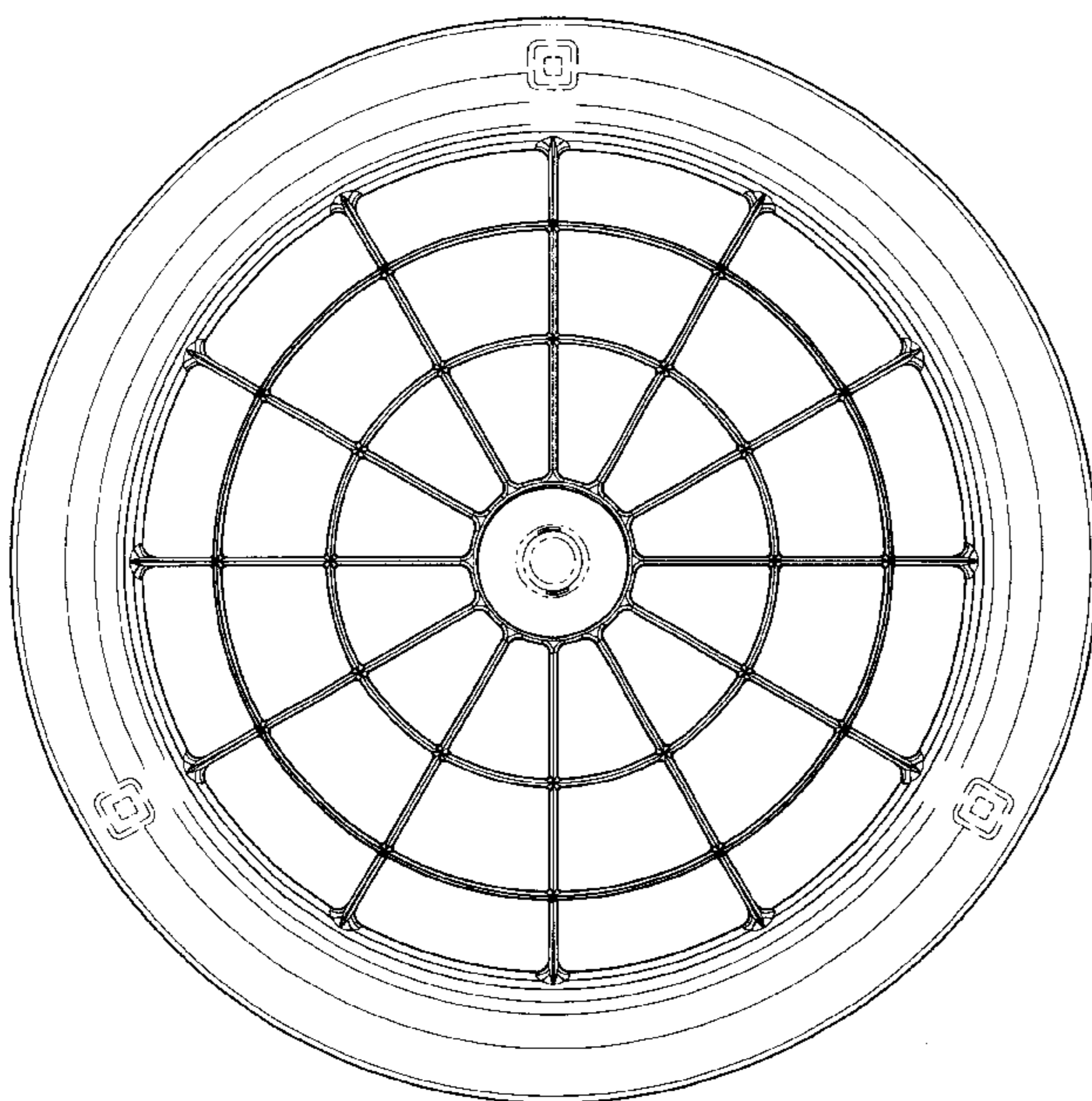
FIG. 2 is a side elevational view of the embodiment depicted in FIG. 1, the portions shown in broken lines being for illustrative purposes only and forming no part of the design claimed; the opposite side elevational view being a mirror-image thereof;

FIG. 3 is a top plan view of the embodiment depicted in FIG. 1, the portions shown in broken lines forming no part of the design sought to be patented;

FIG. 4 is a bottom plan view of the embodiment depicted in FIG. 1, the portions shown in broken lines forming no part of the design sought to be patented; and,

FIG. 5 is an end view opposite of the end view of FIG. 1, the portions shown in broken lines forming no part of the design sought to be patented.

1 Claim, 4 Drawing Sheets



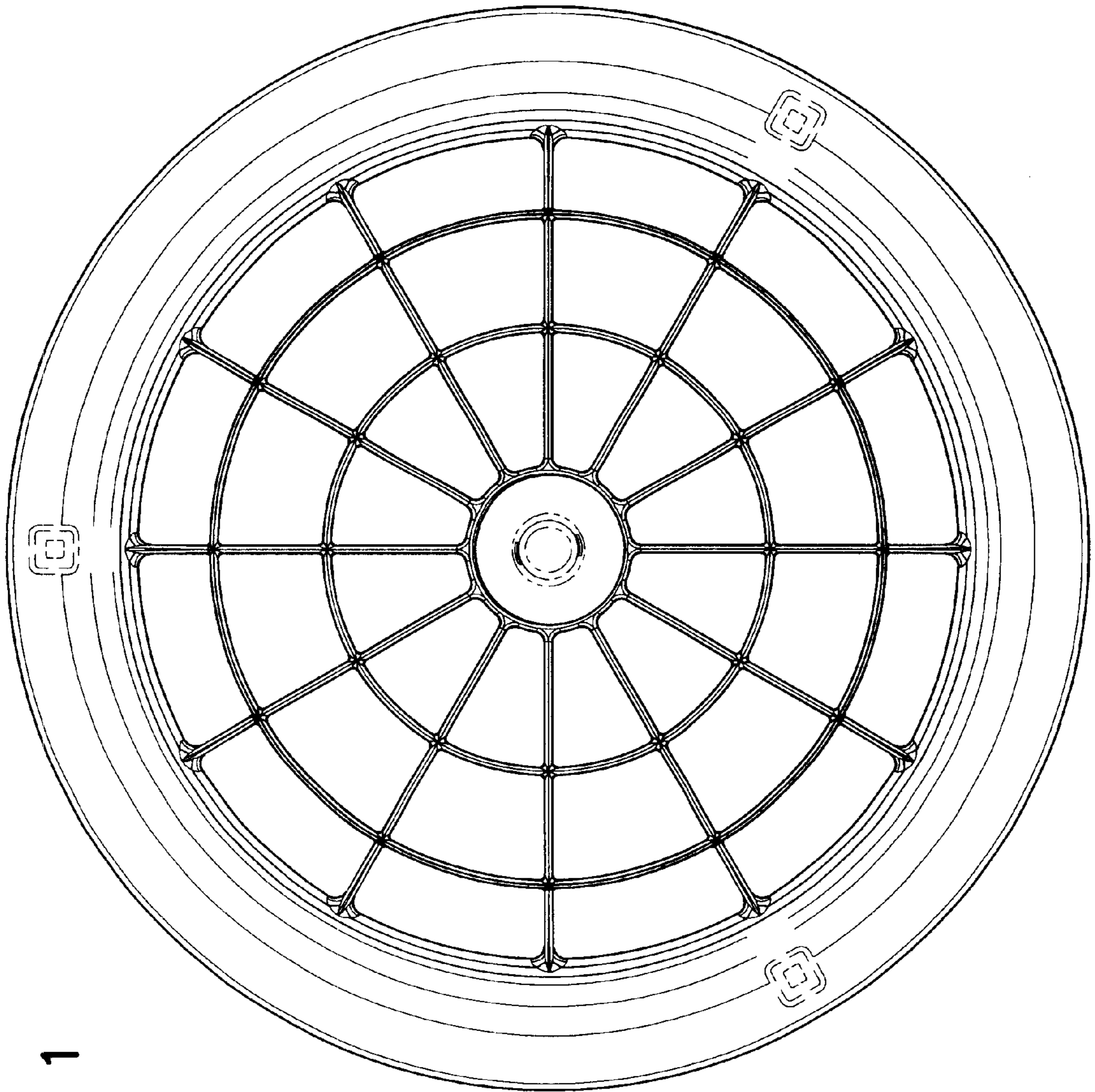


FIG. 1

FIG. 3

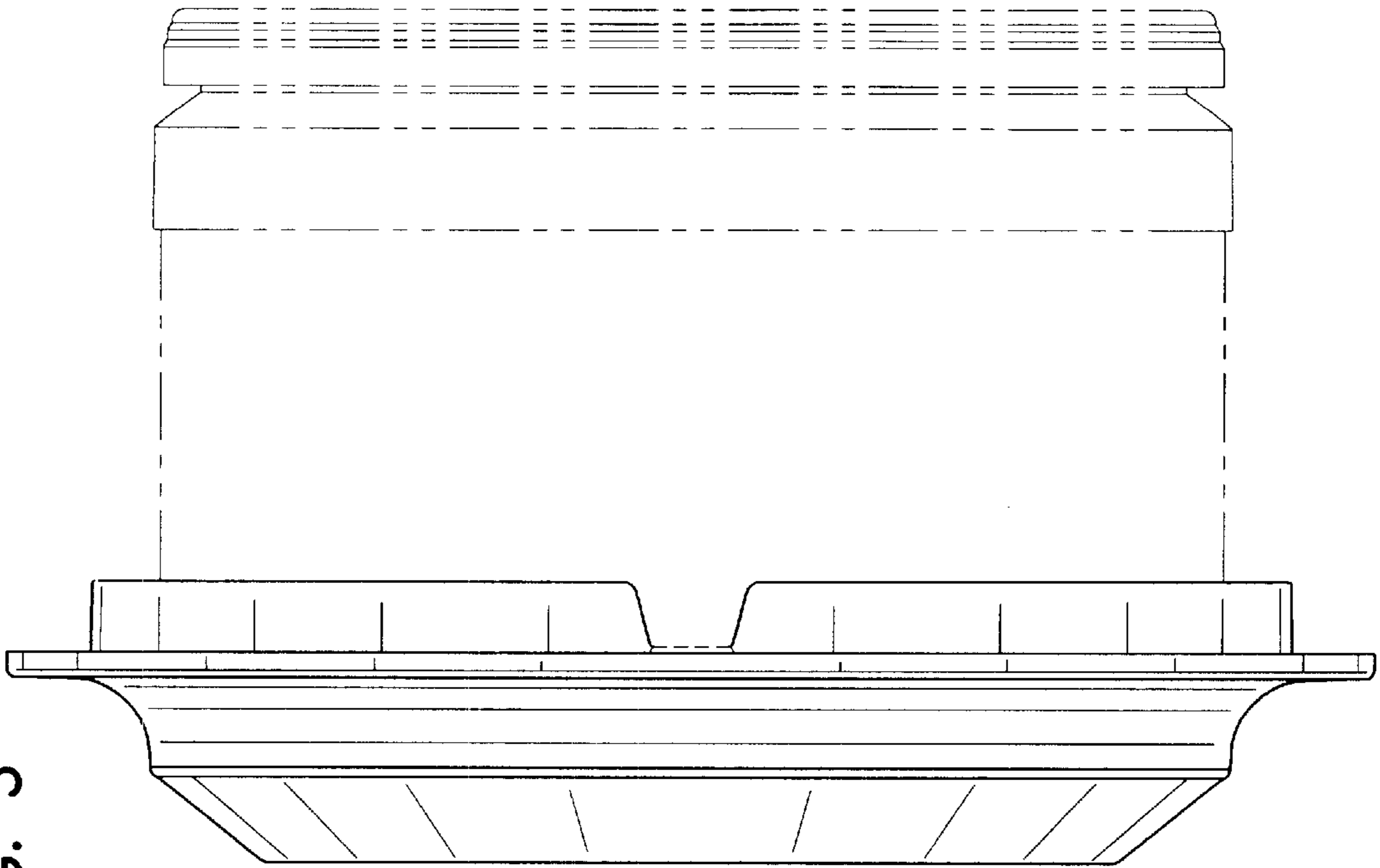
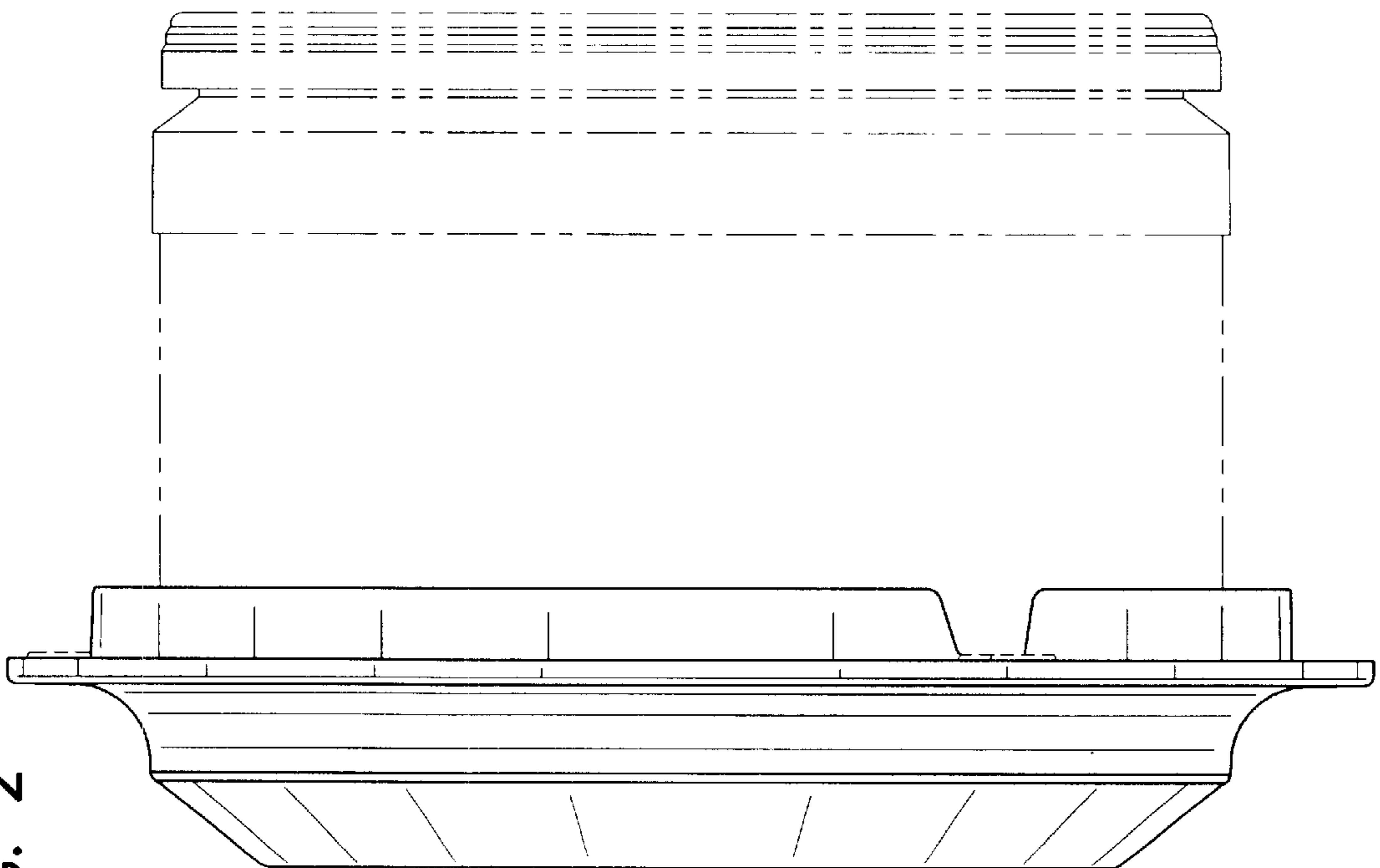


FIG. 2



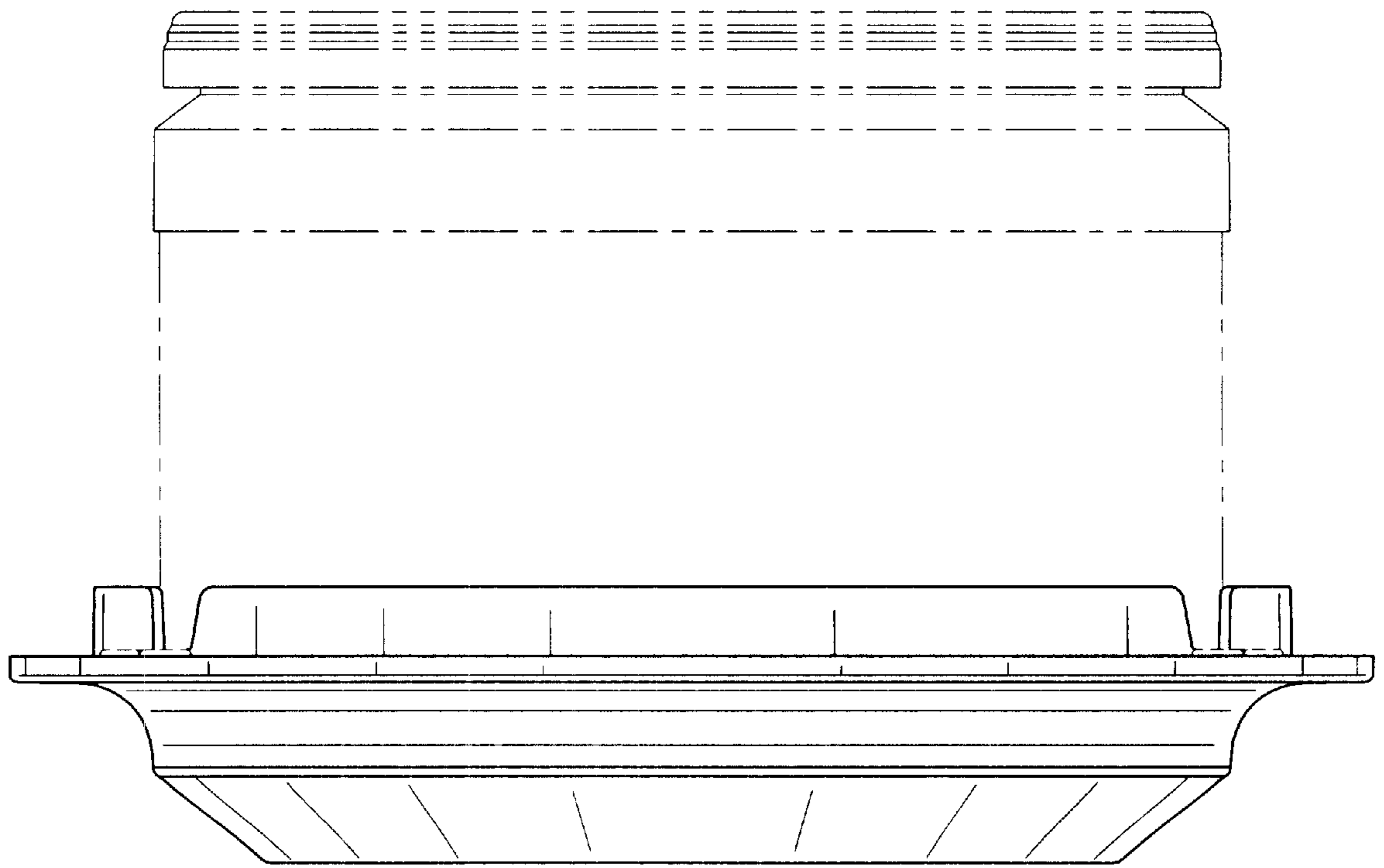


FIG. 4

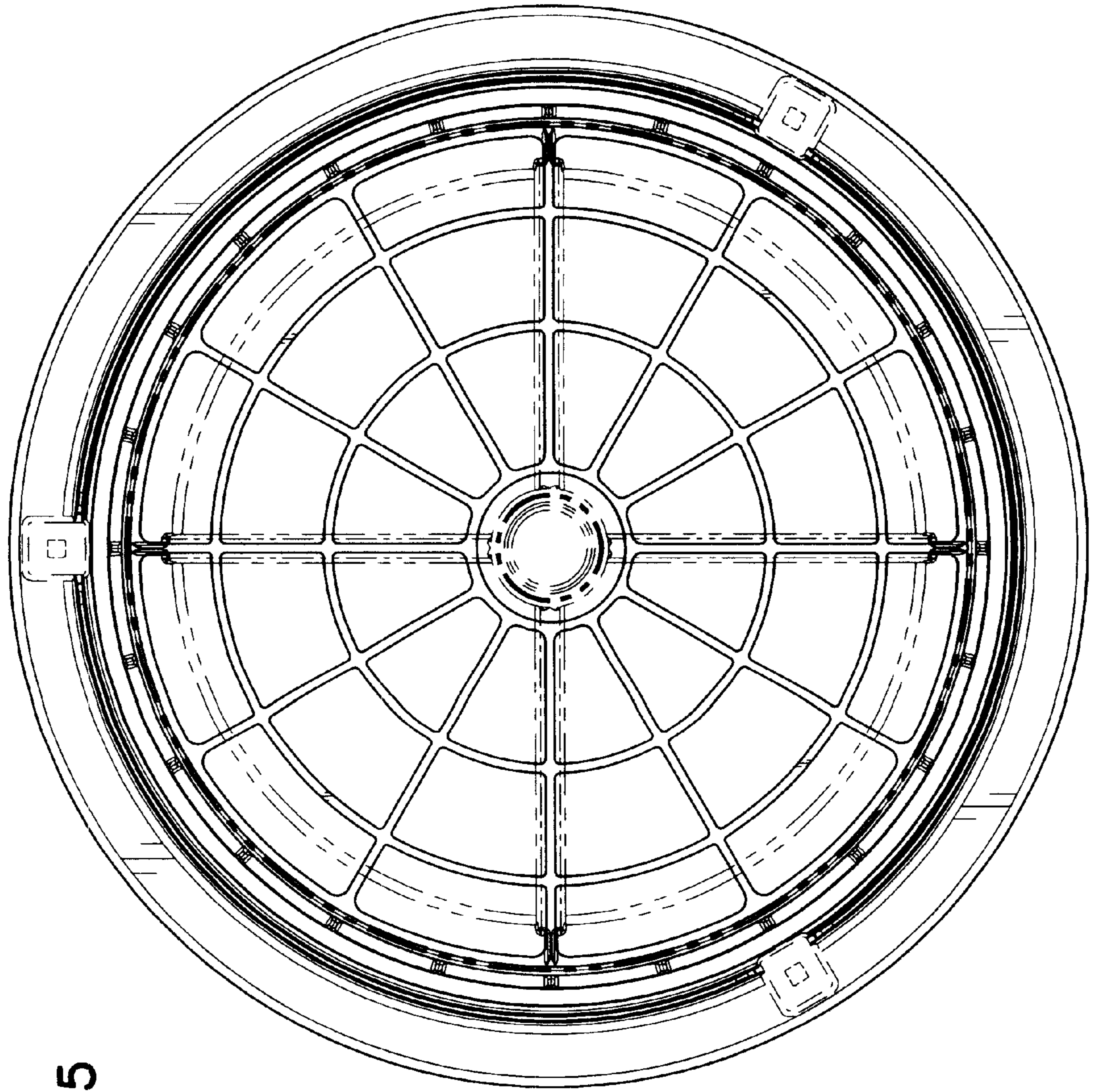


FIG. 5