



US00D460167S

(12) **United States Design Patent**
Murray et al.

(10) **Patent No.:** **US D460,167 S**

(45) **Date of Patent:** **** Jul. 9, 2002**

(54) **ENVIRO-GUARD CONTROLLER UNIT**

(75) Inventors: **Dale R. Murray**, Elkton; **Rodney Gerringer**, Belcamp; **Gary Bunney**, Joppa, all of MD (US); **Phil Lastowski**, Millersville, PA (US); **Chin Soo Park**, Salisbury, MD (US)

(73) Assignee: **Lab Products, Inc.**, Seaford, DE (US)

(**) Term: **14 Years**

(21) Appl. No.: **29/132,104**

(22) Filed: **Nov. 2, 2000**

(51) **LOC (7) Cl.** **23-04**

(52) **U.S. Cl.** **D23/364**

(58) **Field of Search** **D23/355, 364, D23/365; 55/357, 418, 385.2, 467; 96/417**

(56) **References Cited**

U.S. PATENT DOCUMENTS

4,749,387	A	*	6/1988	Lotz	55/418
4,919,801	A	*	4/1990	Hobson, Jr.	55/418
D311,270	S	*	10/1990	Savage et al.	D23/365
D371,435	S	*	7/1996	Locke	D23/365

* cited by examiner

Primary Examiner—Lisa Lichtenstein
(74) *Attorney, Agent, or Firm*—Stroock & Stroock & Lavan LLP

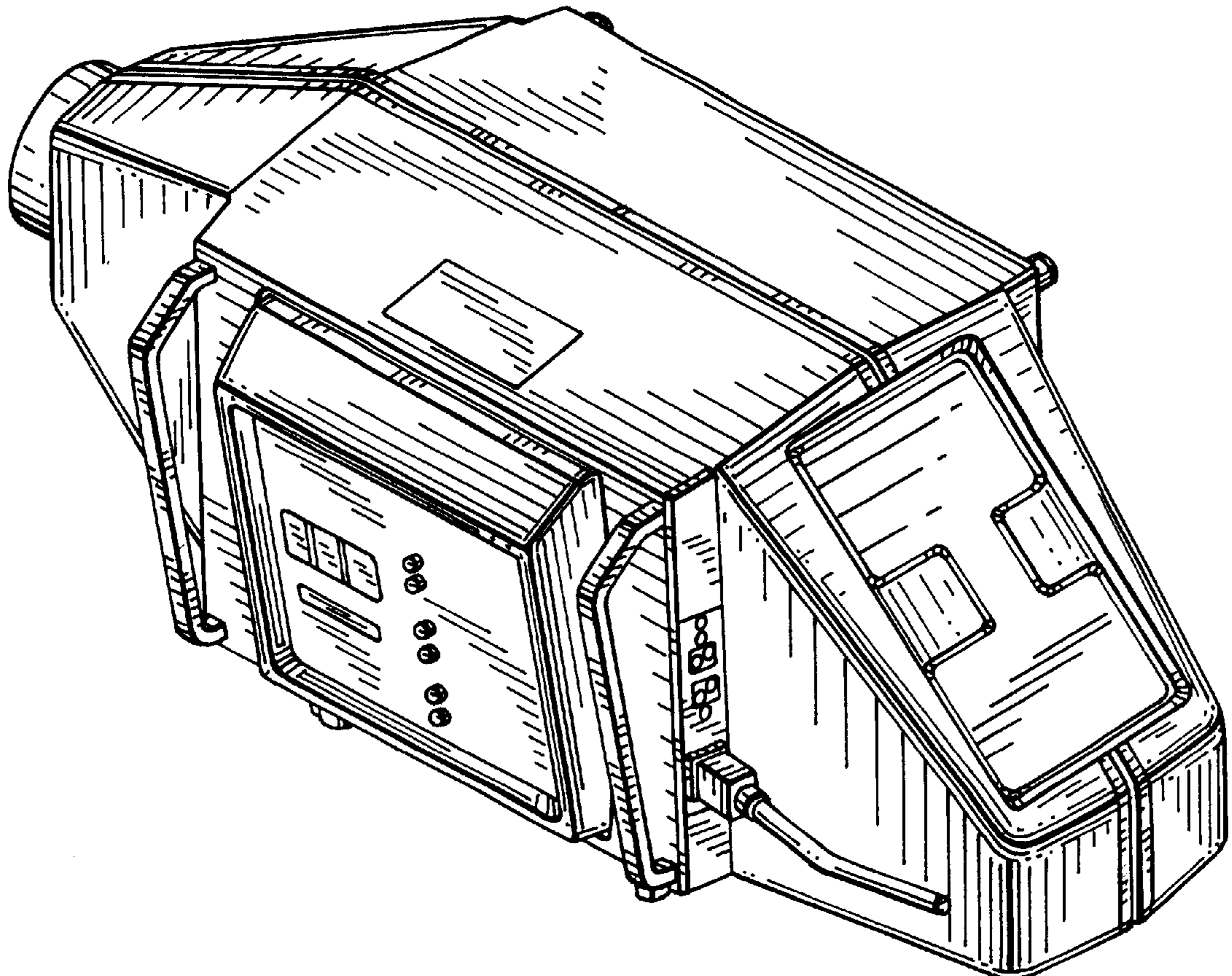
(57) **CLAIM**

The ornamental design for a enviro-guard controller unit, as shown and described.

DESCRIPTION

FIG. 1 is a perspective view of a design for a enviro-guard controller unit constructed in accordance with the invention; FIG. 2 is front plan view of the enviro-guard controller unit depicted in FIG. 1; FIG. 3 is a top plan view of the enviro-guard controller unit of the design depicted FIG. 1; FIG. 4 is a side view of the enviro-guard controller unit depicted in FIG. 1; FIG. 5 is a bottom view of the enviro-guard controller unit depicted in FIG. 1; FIG. 6 is a side view of the enviro-guard controller unit depicted in FIG. 1, opposite the side depicted in FIG. 4; FIG. 7 is a perspective view of the enviro-guard controller unit depicted in FIG. 1; and, FIG. 8 is a rear plan view of the enviro-guard controller unit depicted in FIG. 1.

1 Claim, 6 Drawing Sheets



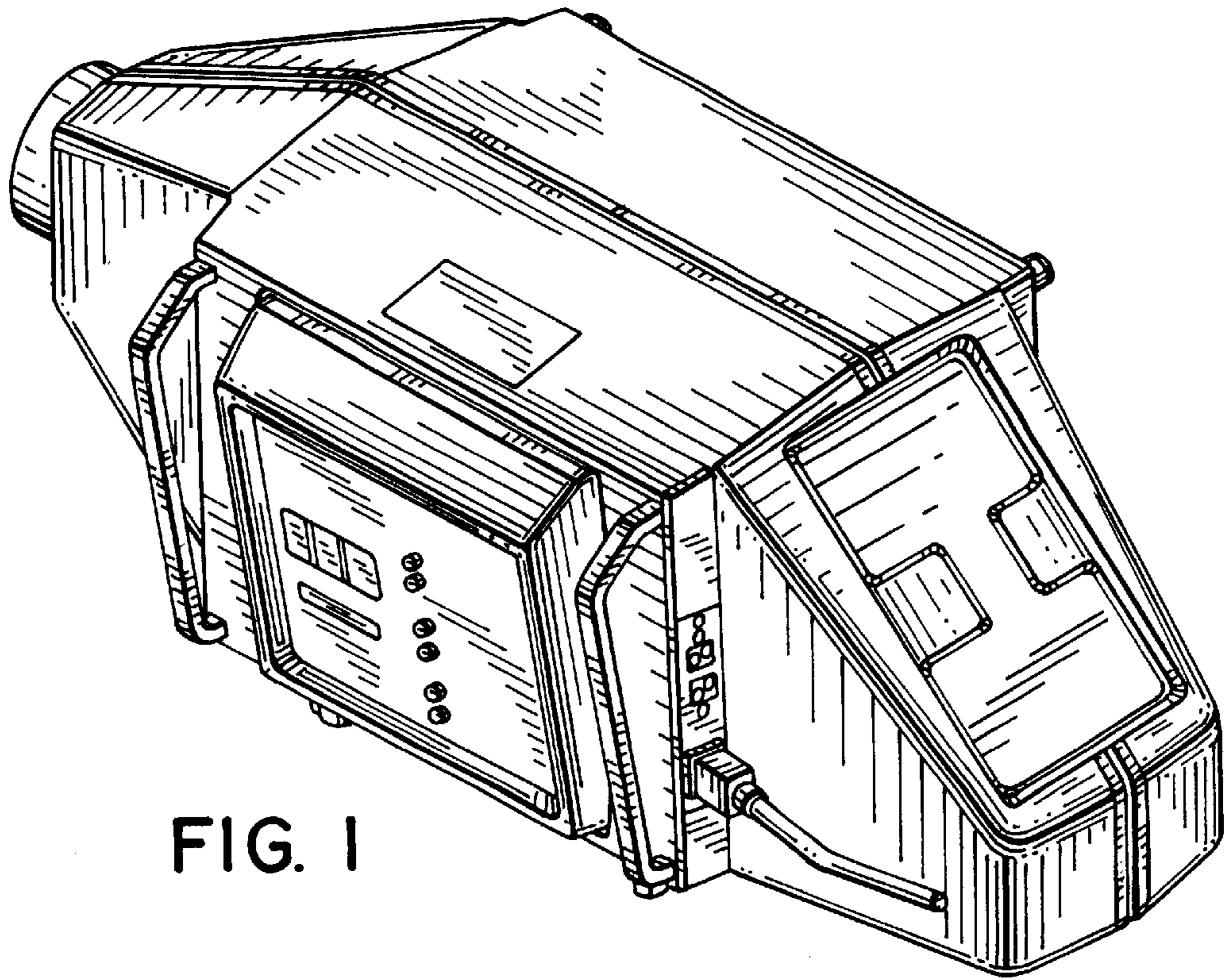


FIG. 1

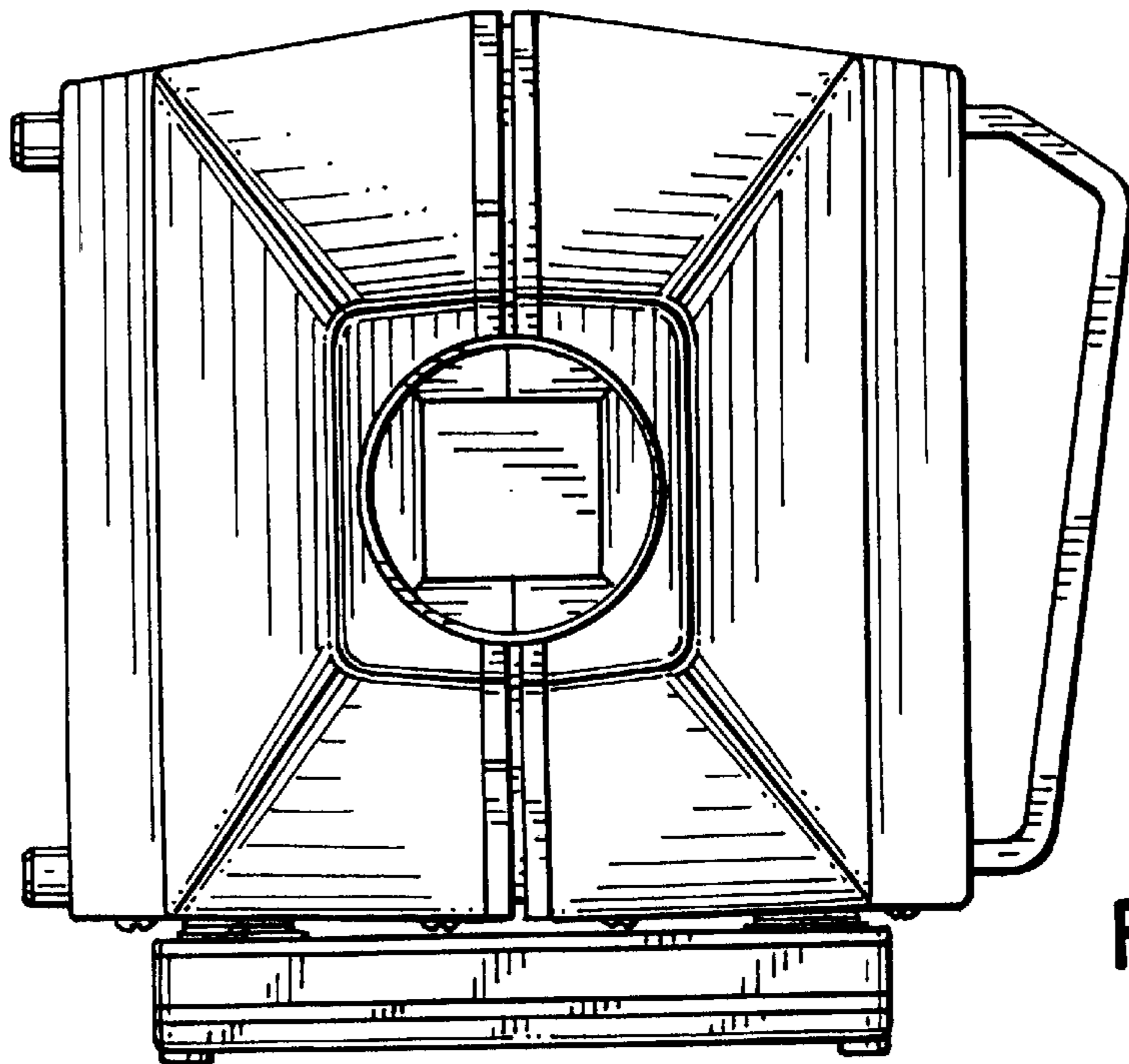
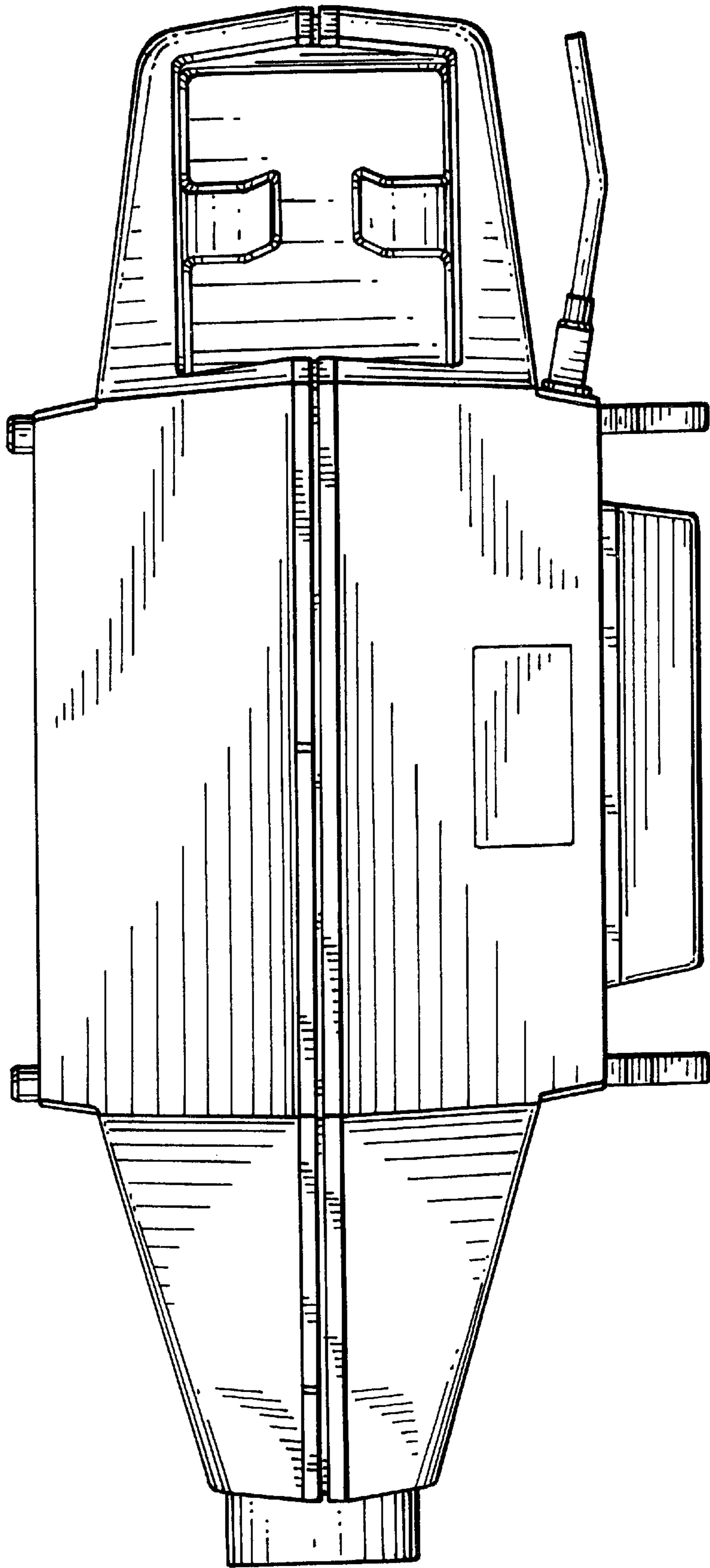


FIG. 2

FIG. 3



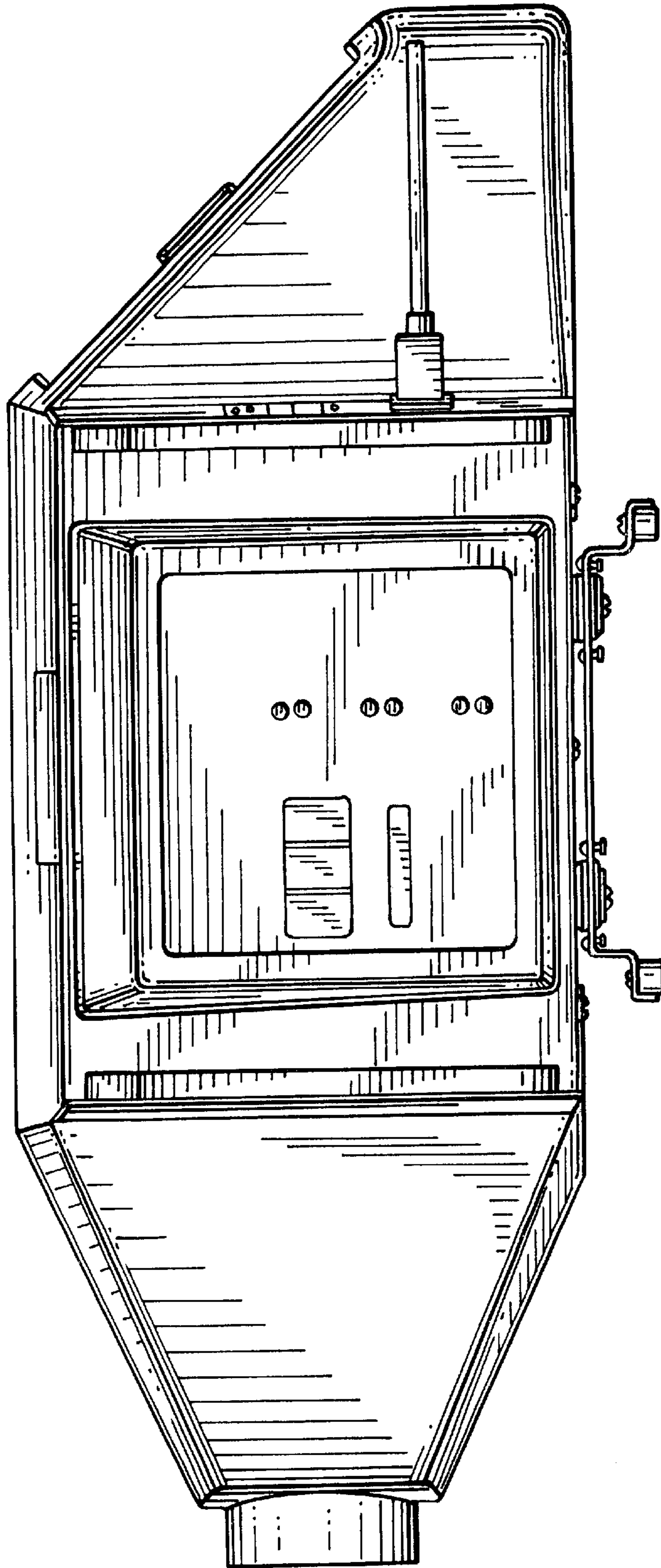


FIG. 4

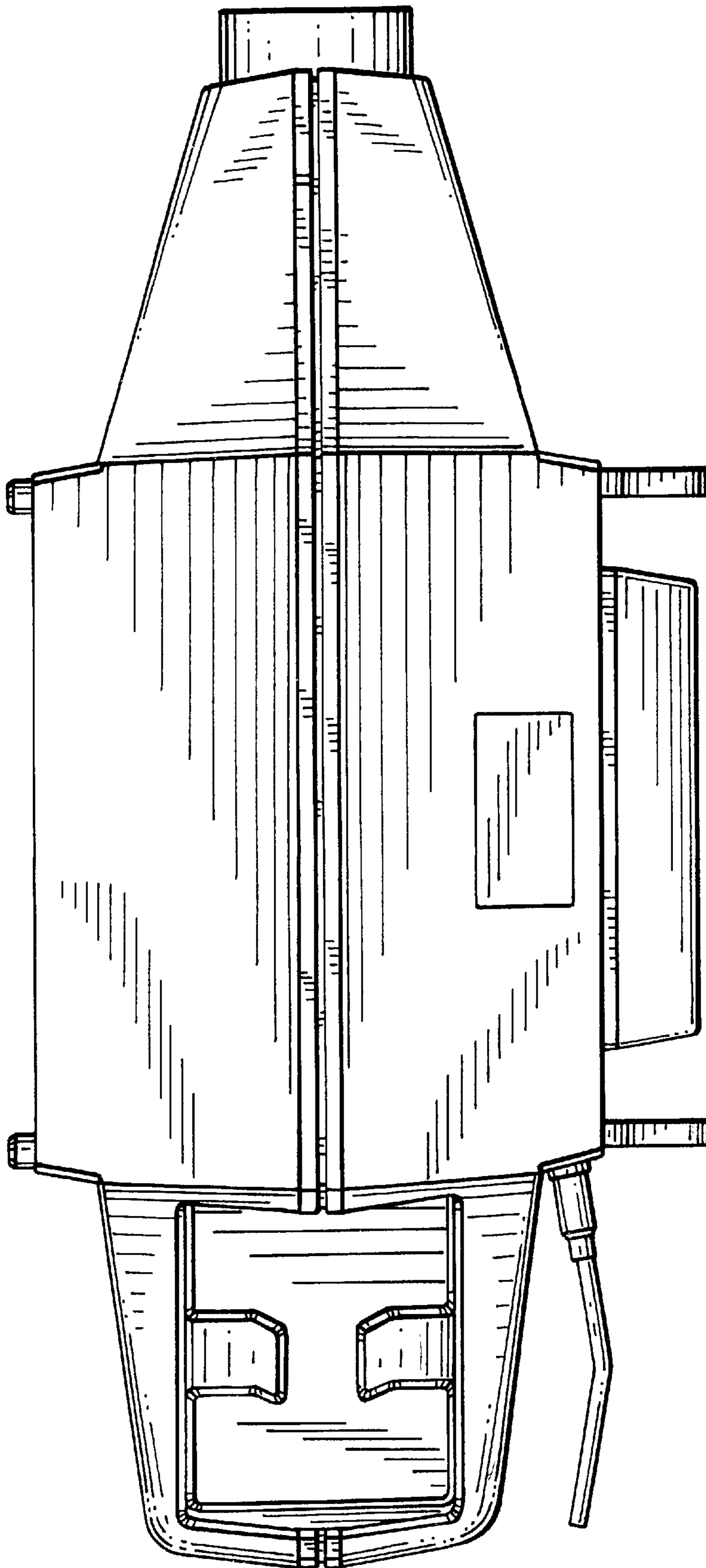


FIG. 5

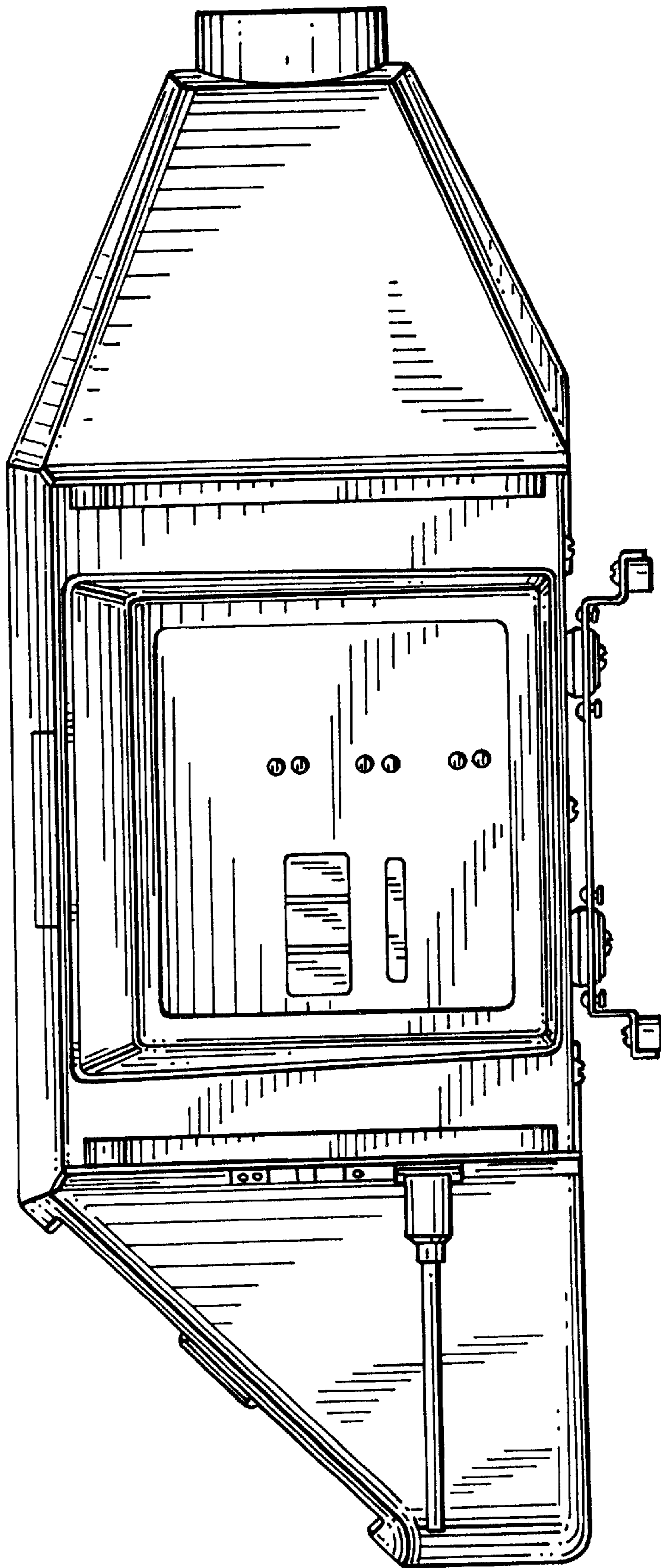


FIG. 6

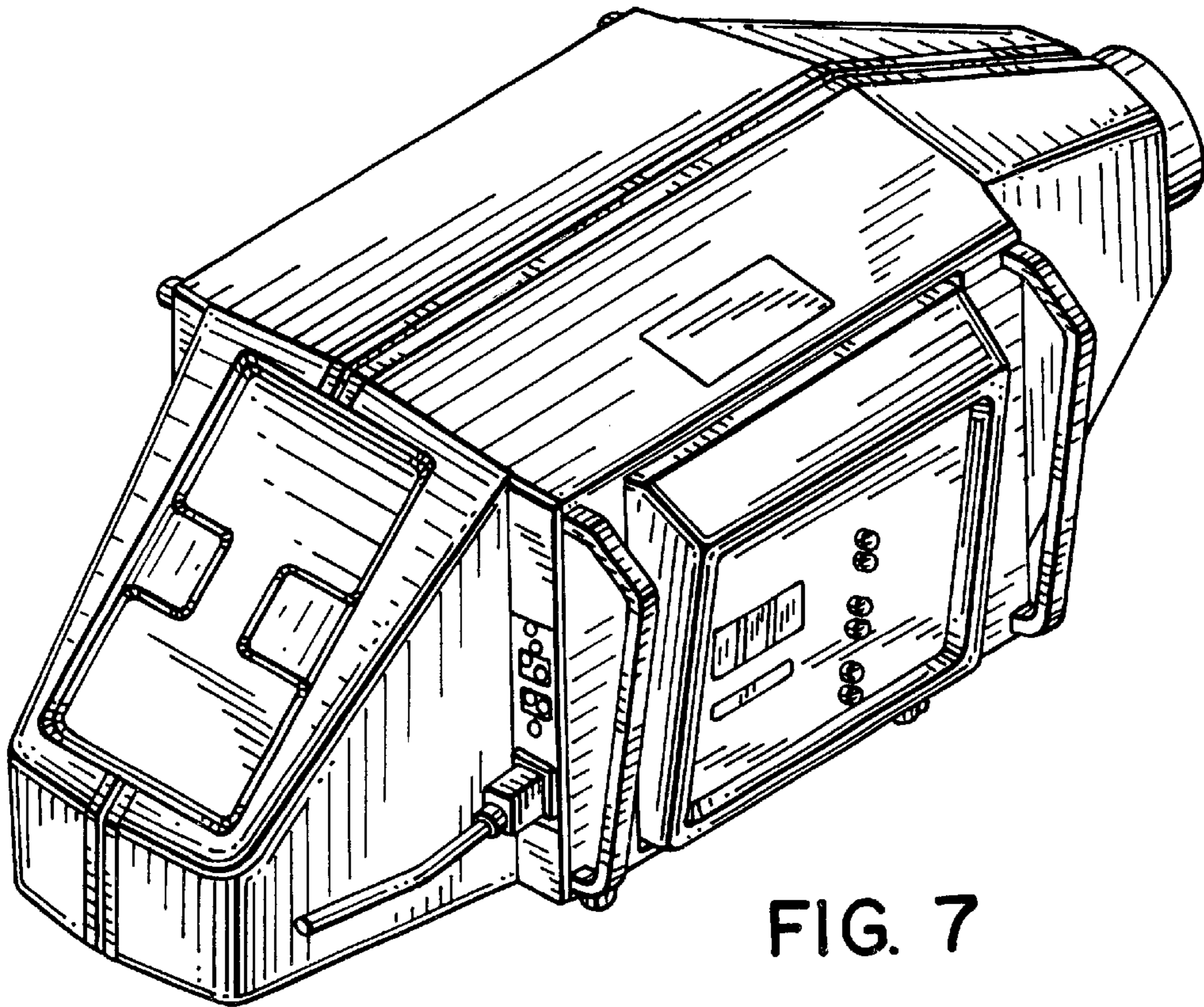


FIG. 7

FIG. 8

