



US00D460157S

(12) **United States Design Patent**
Veltz

(10) **Patent No.:** **US D460,157 S**

(45) **Date of Patent:** **** Jul. 9, 2002**

(54) **LEVER HANDLE**

(75) **Inventor:** **Jason D. Veltz**, Dana Point, CA (US)

(73) **Assignee:** **Emhart LLC**, Newark, DE (US)

(**) **Term:** **14 Years**

(21) **Appl. No.:** **29/152,095**

(22) **Filed:** **Dec. 14, 2001**

(51) **LOC (7) Cl.** **23-01**

(52) **U.S. Cl.** **D23/250**

(58) **Field of Search** D23/238-245,
D23/249-257; D8/300-310, 350-354; 4/675-678;
16/110 R-121; 137/801

- D404,470 S 1/1999 Pitsch et al.
- D405,511 S 2/1999 Lord
- D407,144 S 3/1999 Formgren
- D426,872 S 6/2000 Milrud et al.
- D430,924 S 9/2000 Wei et al.

* cited by examiner

Primary Examiner—Louis S. Zarfaz

Assistant Examiner—Gregory Andoll

(74) *Attorney, Agent, or Firm*—Richard J. Veltman; John D. Del Ponti

(57) **CLAIM**

The ornamental design for a lever handle, as shown and described.

DESCRIPTION

FIG. 1 is a perspective view of the new design for a lever handle;

FIG. 2 is a right elevational view of the new design for a lever handle, the left elevational view being a mirror image;

FIG. 3 is a top plan view of the new design for a lever handle;

FIG. 4 is a bottom plan view of the new design for a lever handle;

FIG. 5 is a front elevational view of the new design for a lever handle; and,

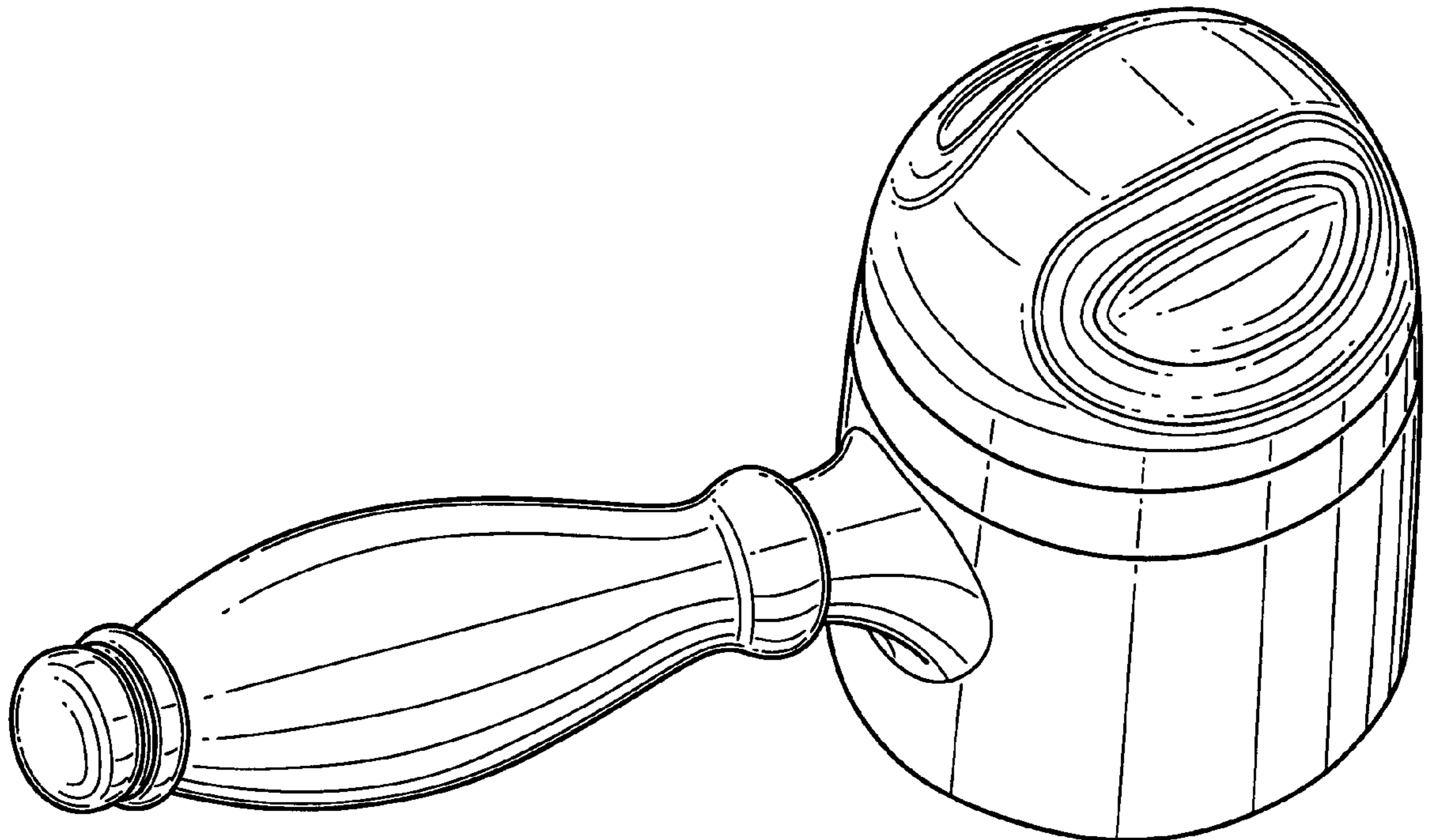
FIG. 6 is a rear elevational view of the new design for a lever handle.

(56) **References Cited**

U.S. PATENT DOCUMENTS

D102,402 S	12/1936	Tautz	
D115,796 S	* 7/1939	Reinecke D23/252
D164,300 S	8/1951	Gulick	
D175,819 S	10/1955	Young	
D177,796 S	* 5/1956	Collins D23/250
D317,196 S	5/1991	Robbins	
D339,190 S	* 9/1993	Pieramico et al. D23/252
D346,205 S	4/1994	Sauter et al.	
D349,154 S	* 7/1994	Mark D23/252
D379,847 S	6/1997	Kohler, Jr.	
D390,921 S	2/1998	Steffes et al.	
D392,721 S	3/1998	Doughty et al.	
D401,674 S	11/1998	Lord	

1 Claim, 5 Drawing Sheets



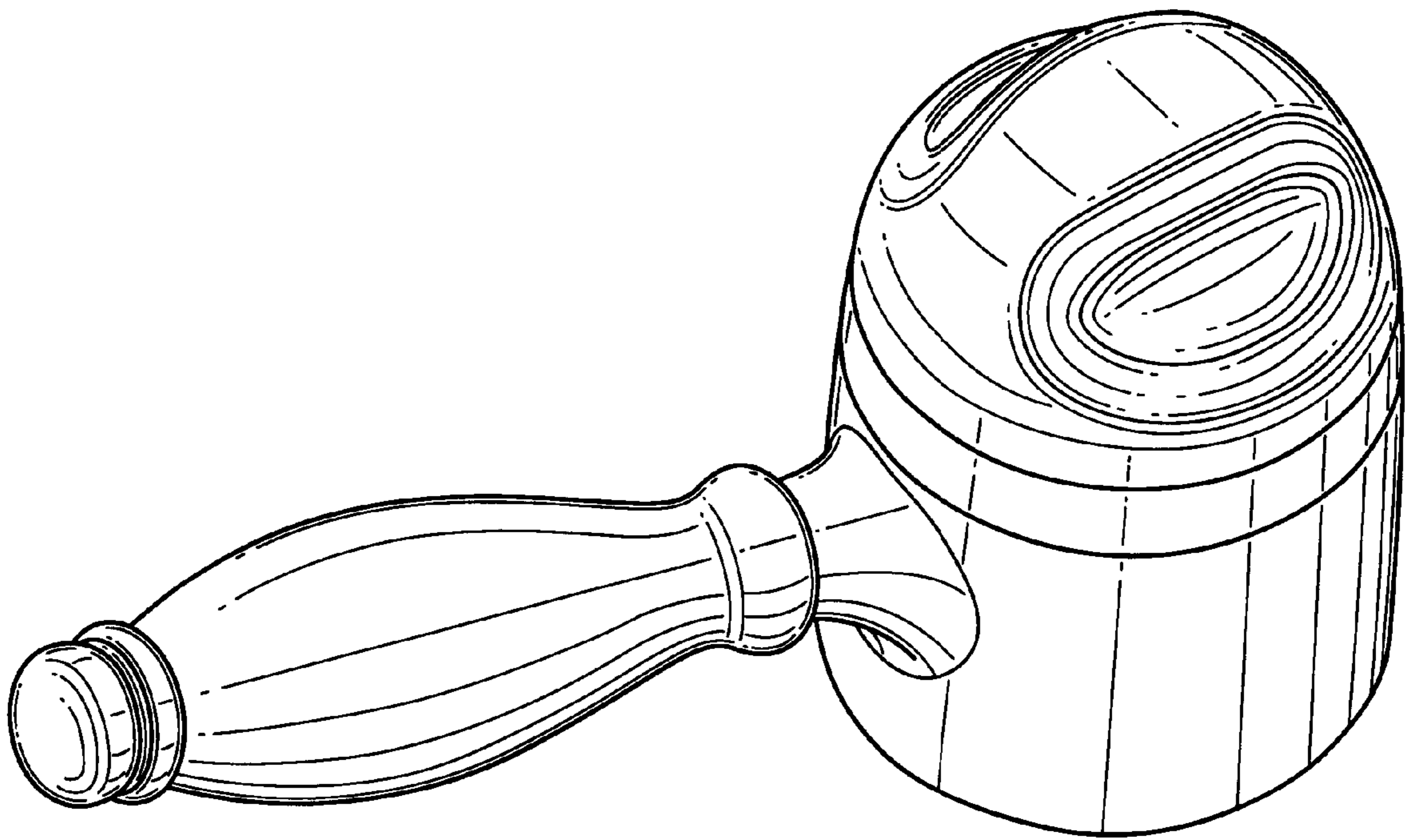


FIG. 1

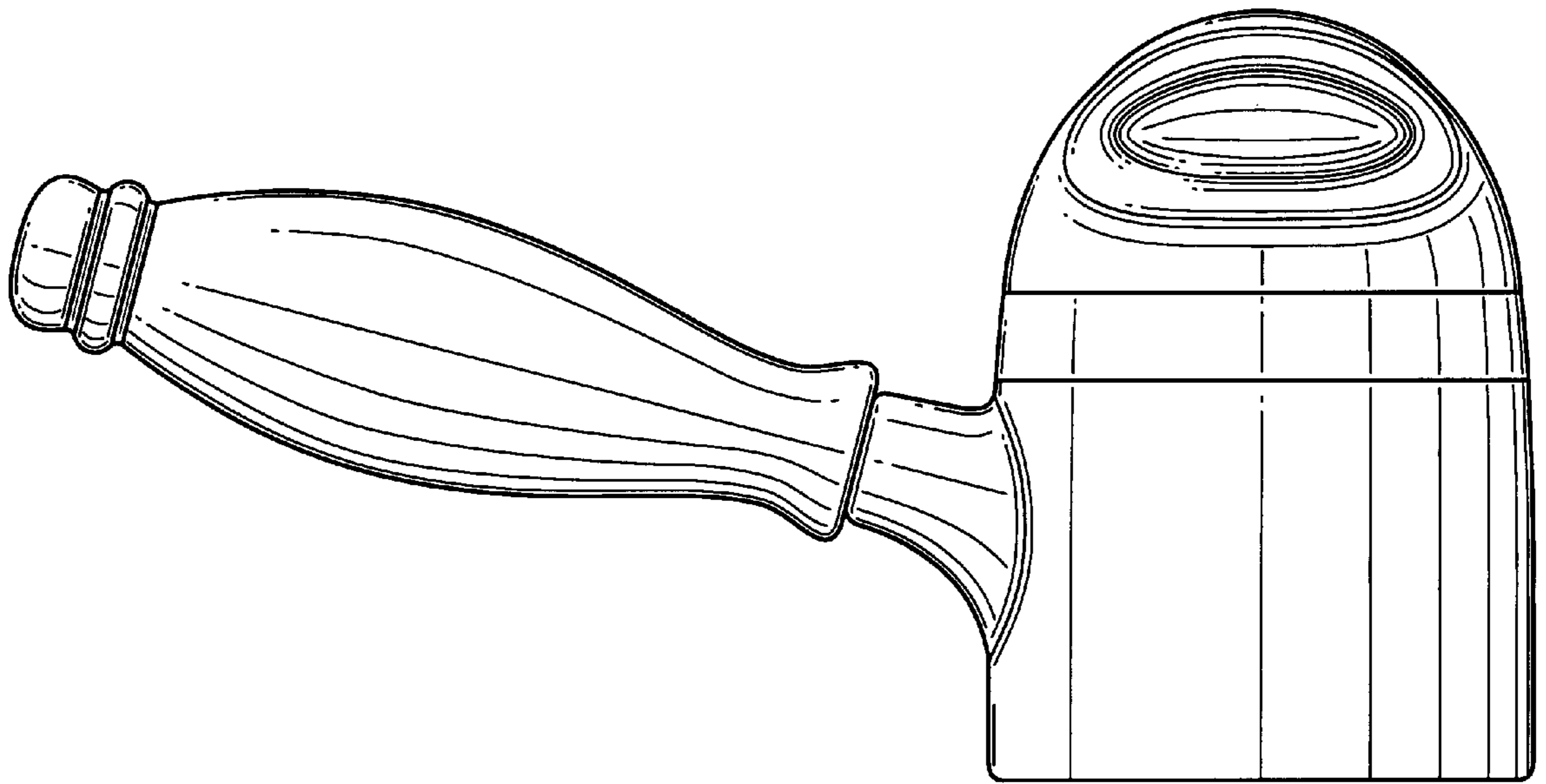


FIG. 2

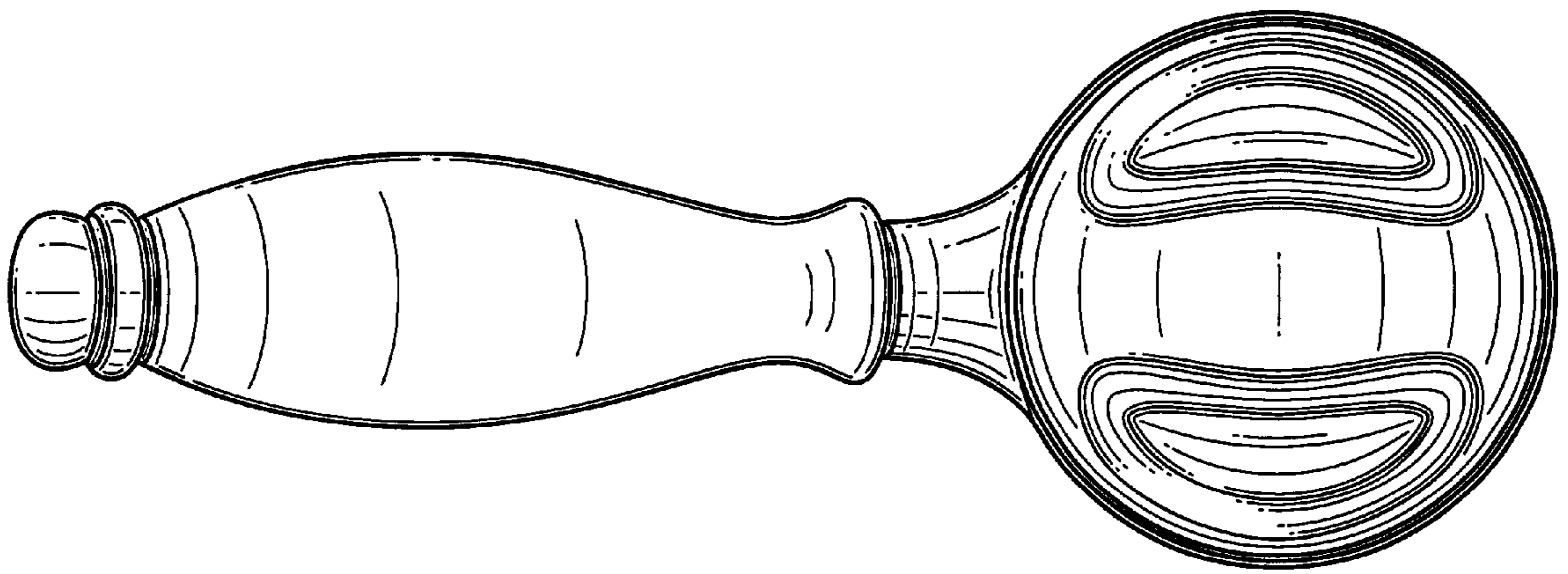


FIG. 3

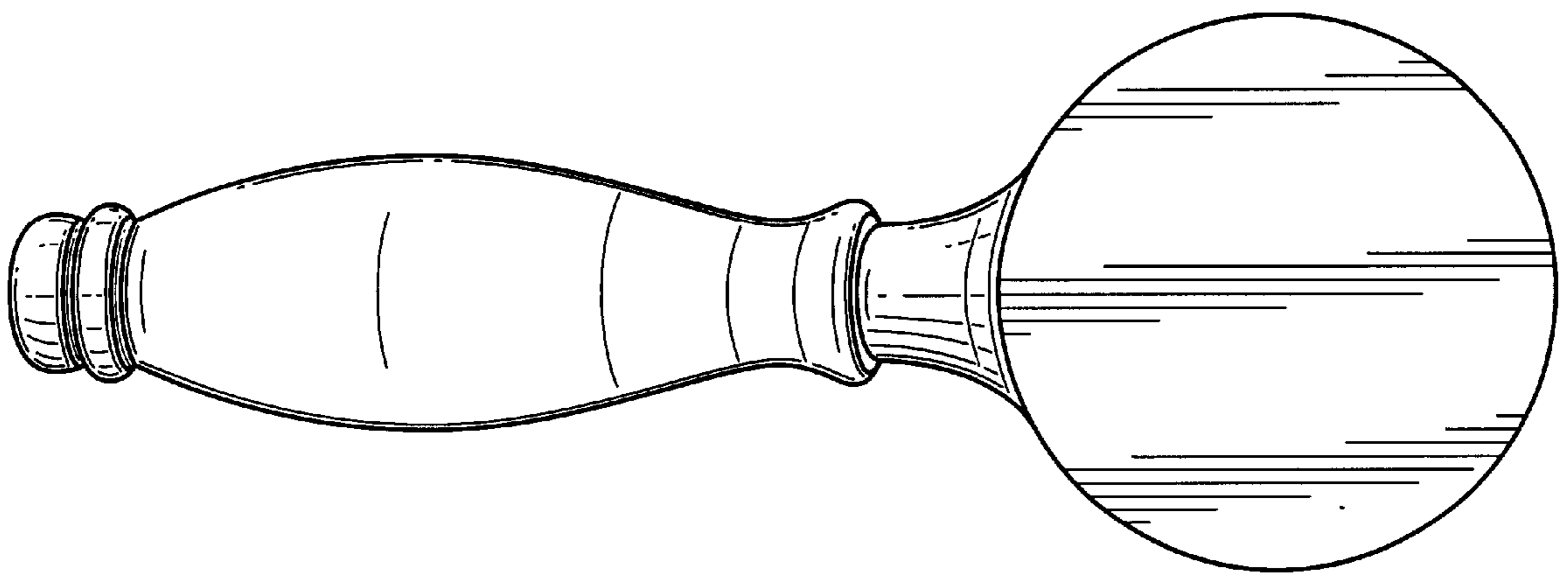


FIG. 4

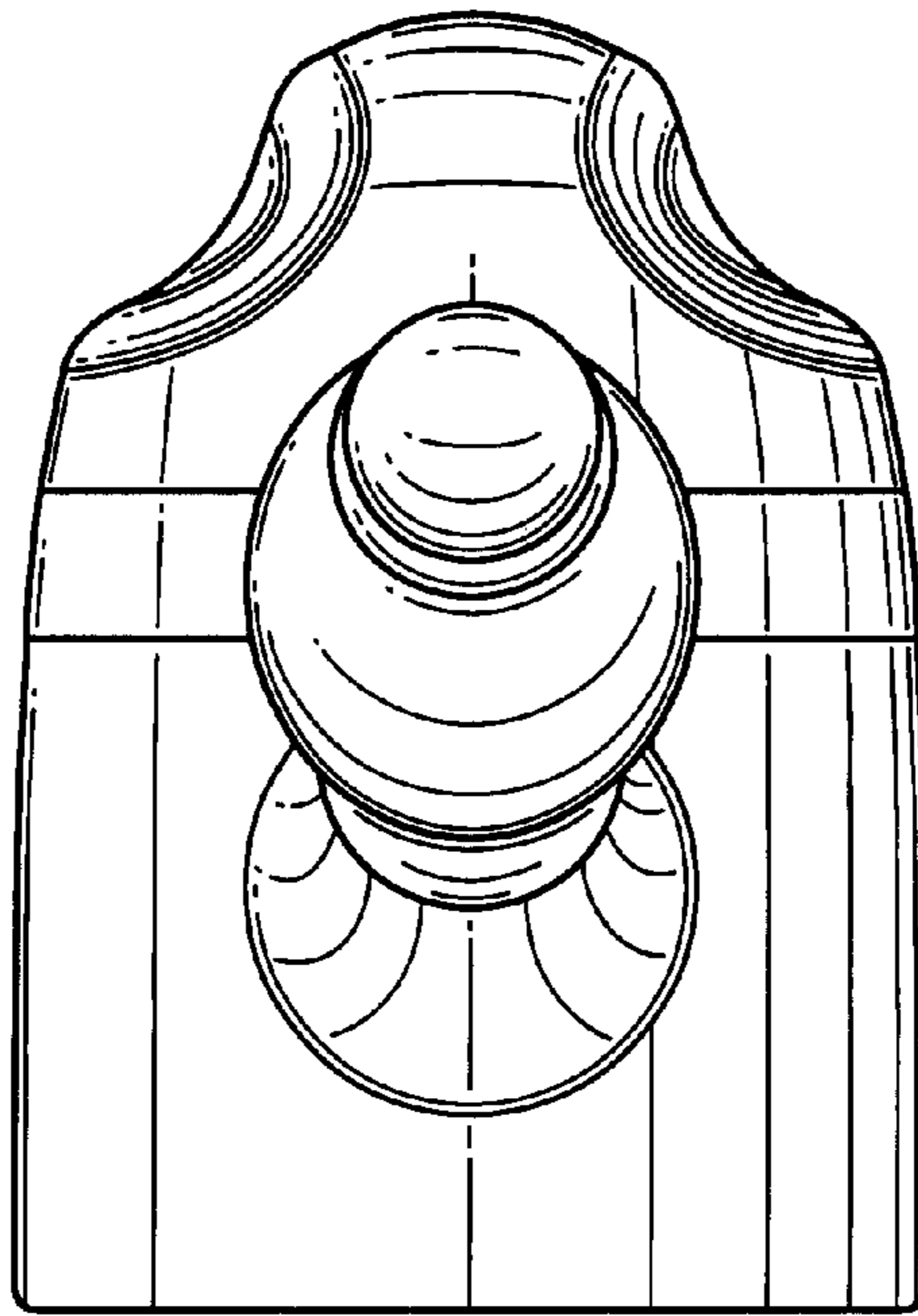


FIG. 5

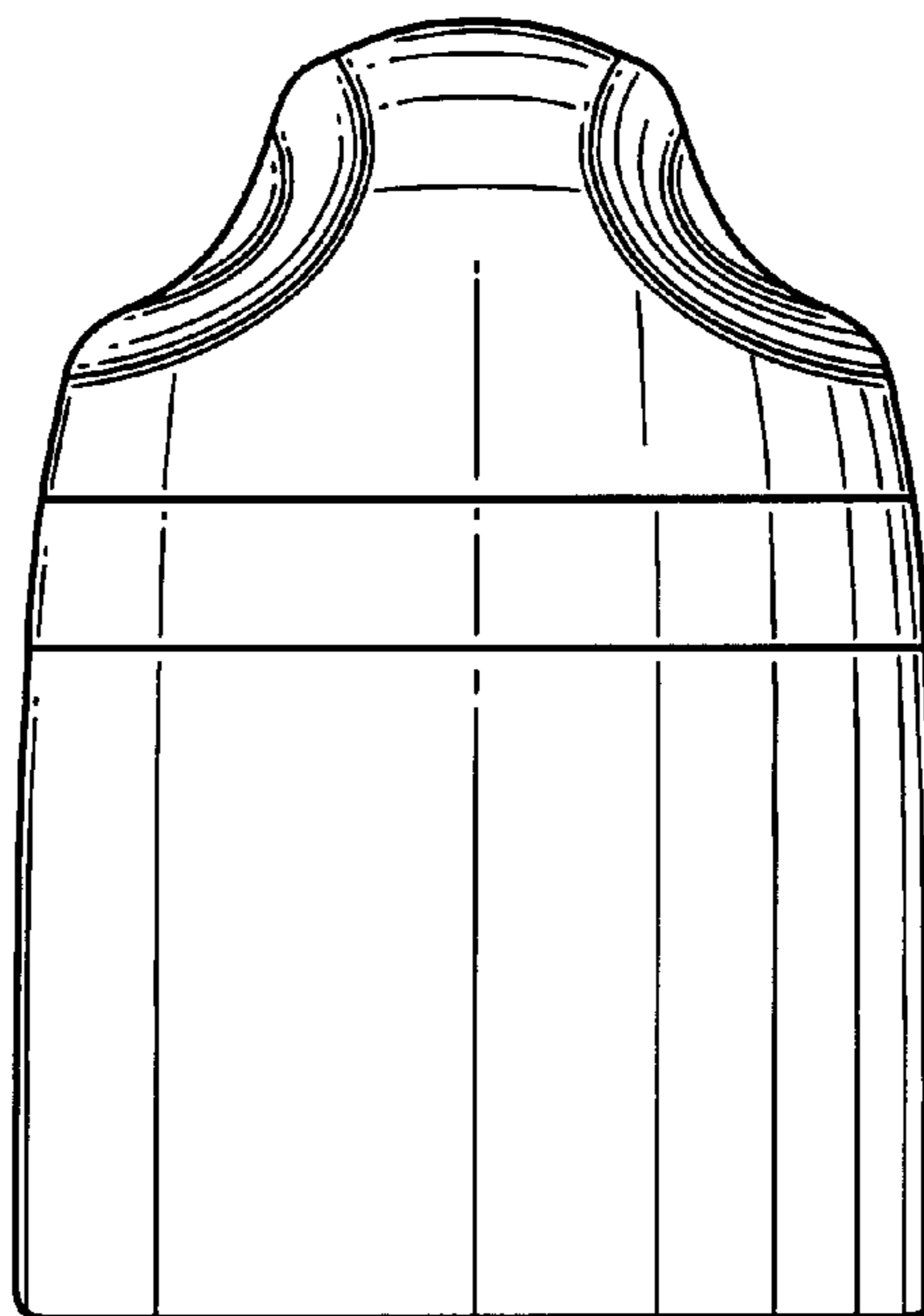


FIG. 6