



US00D460154S

(12) **United States Design Patent**
Kemp

(10) **Patent No.:** **US D460,154 S**

(45) **Date of Patent:** **** Jul. 9, 2002**

(54) **FAUCET**

(75) **Inventor:** **Douglas A. Kemp**, North Ridgeville, OH (US)

(73) **Assignee:** **Moen Incorporated**, North Olmsted, OH (US)

(**) **Term:** **14 Years**

(21) **Appl. No.:** **29/134,421**

(22) **Filed:** **Dec. 20, 2000**

(51) **LOC (7) Cl.** **23-01**

(52) **U.S. Cl.** **D23/241**

(58) **Field of Search** D23/238-243,
D23/250-257; 4/675-678; 137/801; D8/300-310

(56) **References Cited**

U.S. PATENT DOCUMENTS

D203,324 S	12/1965	Landell
D229,495 S	12/1973	Landell
D241,844 S	10/1976	Shames et al.
D258,835 S	4/1981	Saporito et al.
D258,981 S	4/1981	Saporito et al.
D346,852 S	5/1994	Hill
D347,466 S	5/1994	Kolada et al.
D361,827 S	8/1995	Doughty et al.

D381,397 S	7/1997	Steffes
D402,352 S	12/1998	Ficken, Jr. et al.
D407,141 S	3/1999	Ko
D407,798 S	4/1999	Pitsch
D408,070 S	4/1999	Hsu
D414,247 S	9/1999	Kolada et al.
D415,258 S	10/1999	Fleischmann
D421,484 S	3/2000	Pitsch
D427,666 S	7/2000	Wei et al.
D428,640 S	7/2000	Pitsch
D431,283 S	9/2000	Chuanbao

Primary Examiner—Louis S. Zarfes

Assistant Examiner—Gregory Andoll

(74) *Attorney, Agent, or Firm*—Cook, Alex, McFarron, Manzo, Cummings & Mehler, Ltd.

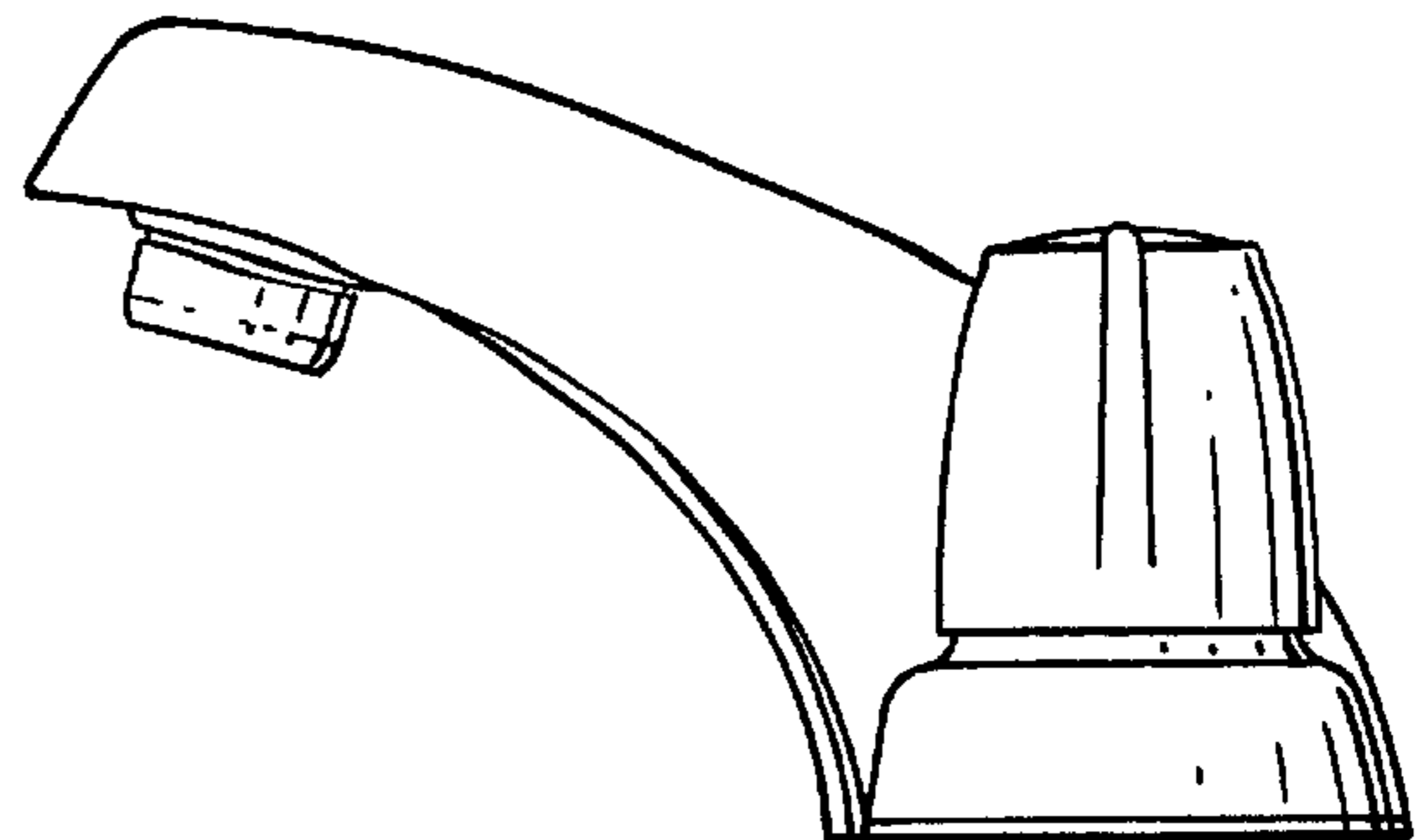
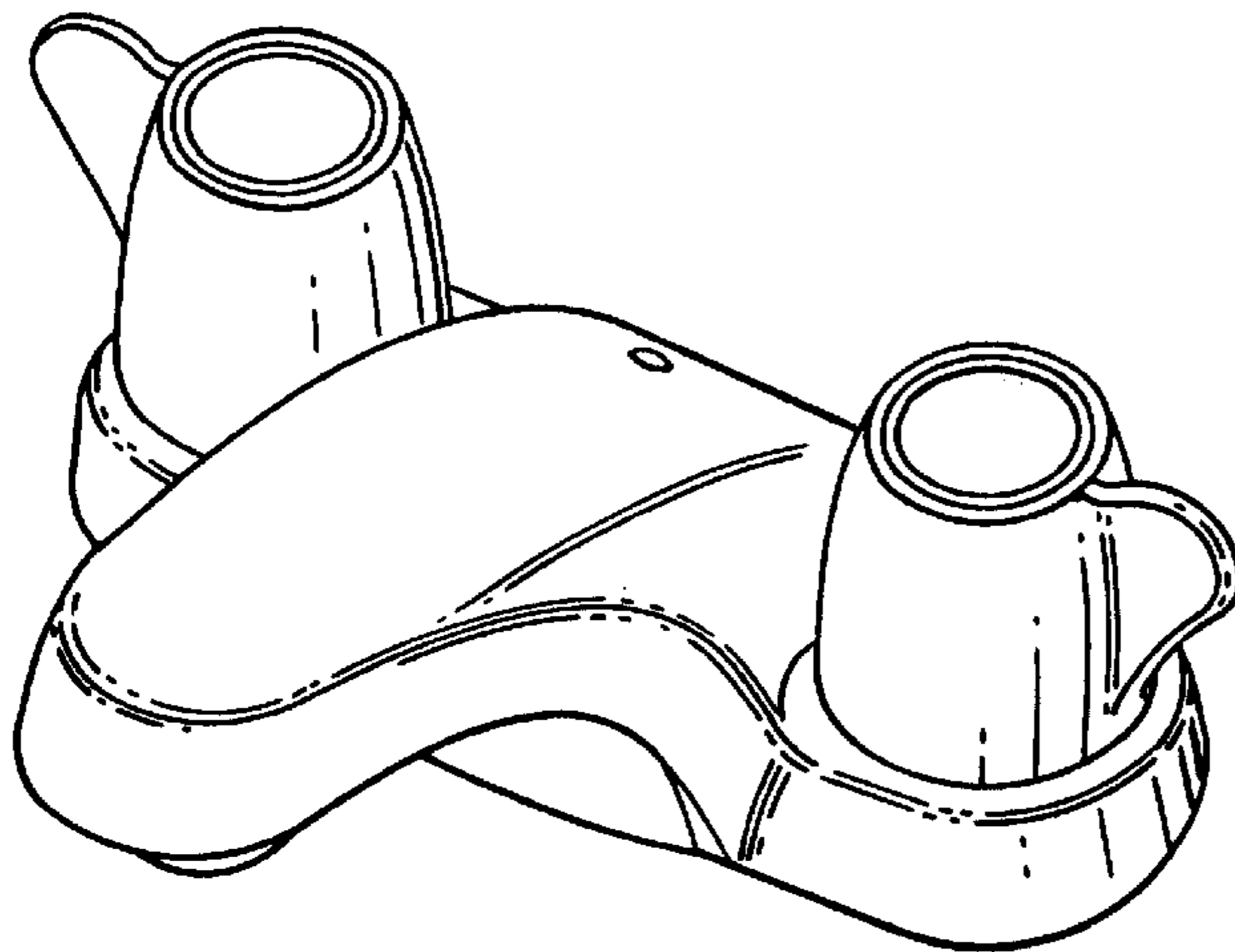
(57) **CLAIM**

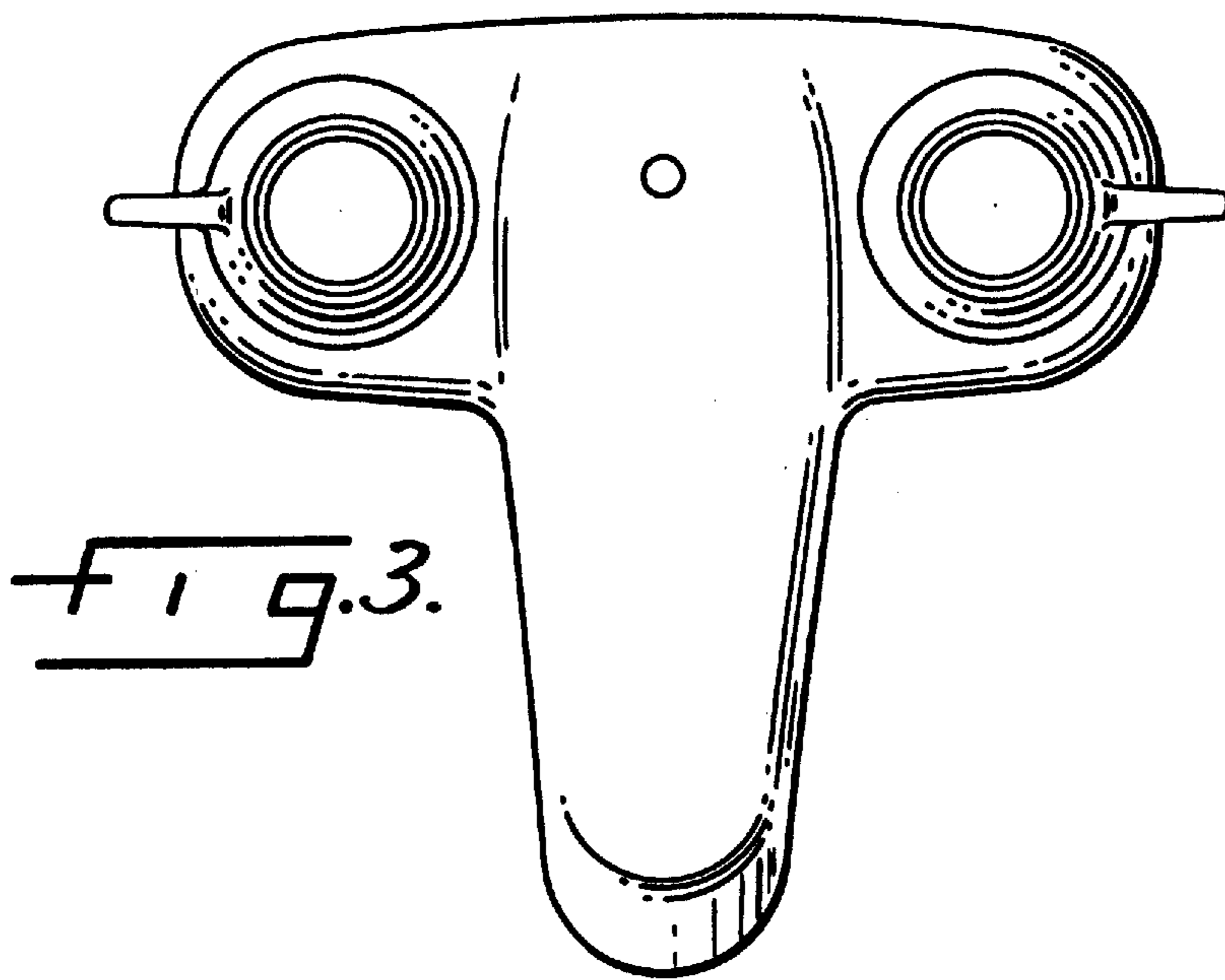
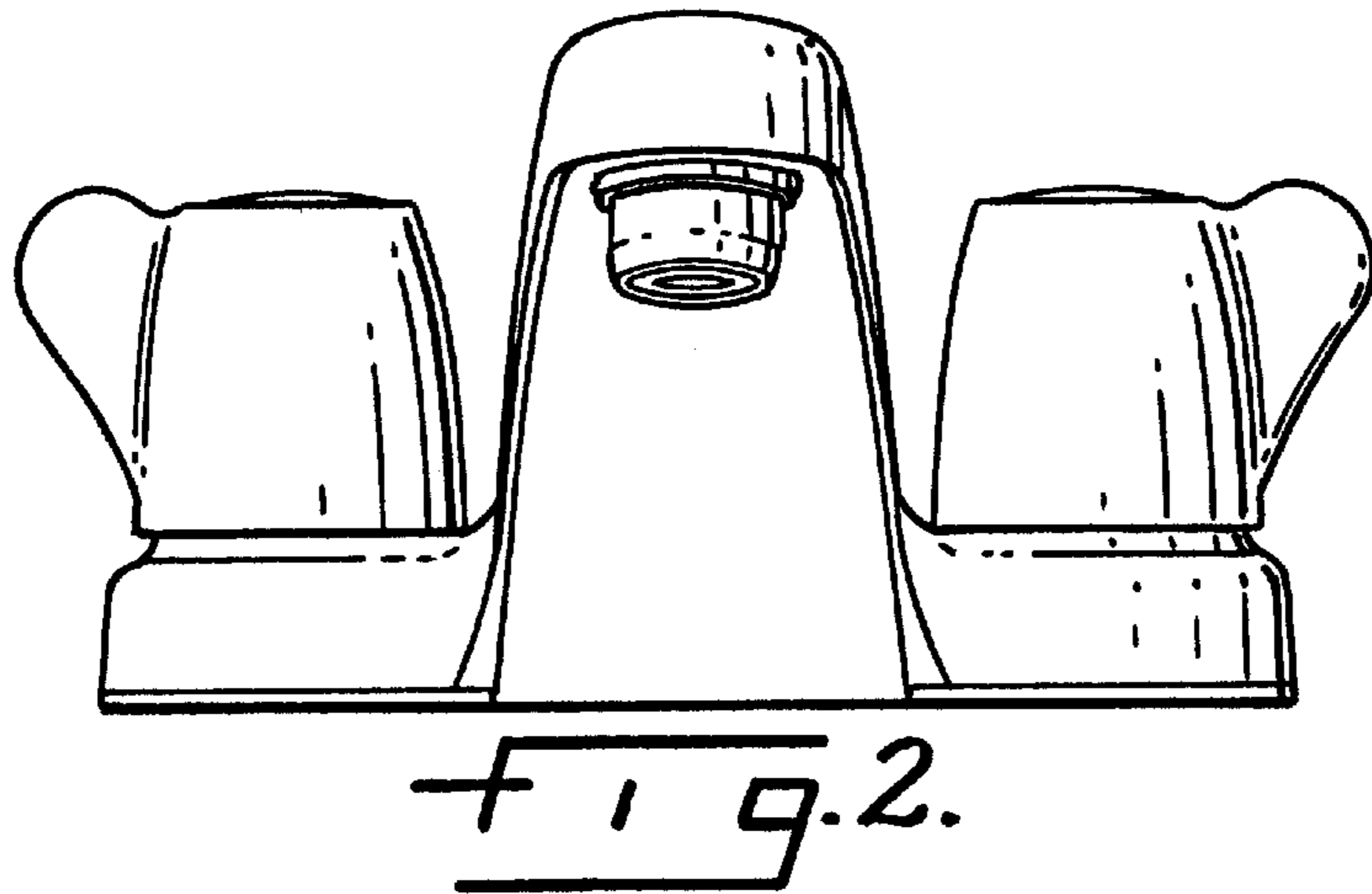
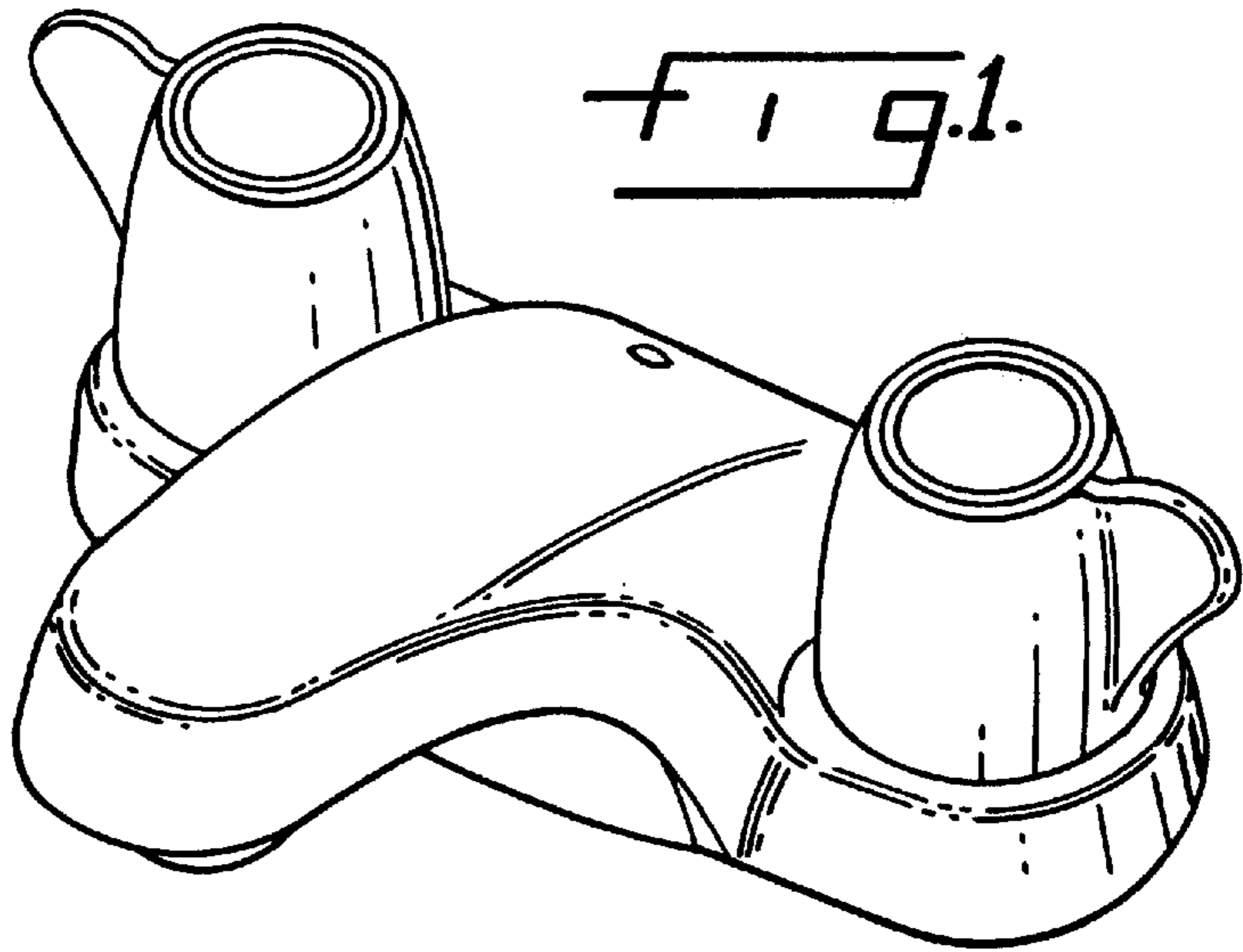
The ornamental design for a faucet, as shown and described.

DESCRIPTION

FIG. 1 is a perspective view of my new design for a faucet; FIG. 2 is a front view thereof; FIG. 3 is a top view thereof; FIG. 4 is a right side view, the left side being the same as the right side; FIG. 5 is a rear view thereof; and, FIG. 6 is a bottom view thereof.

1 Claim, 2 Drawing Sheets





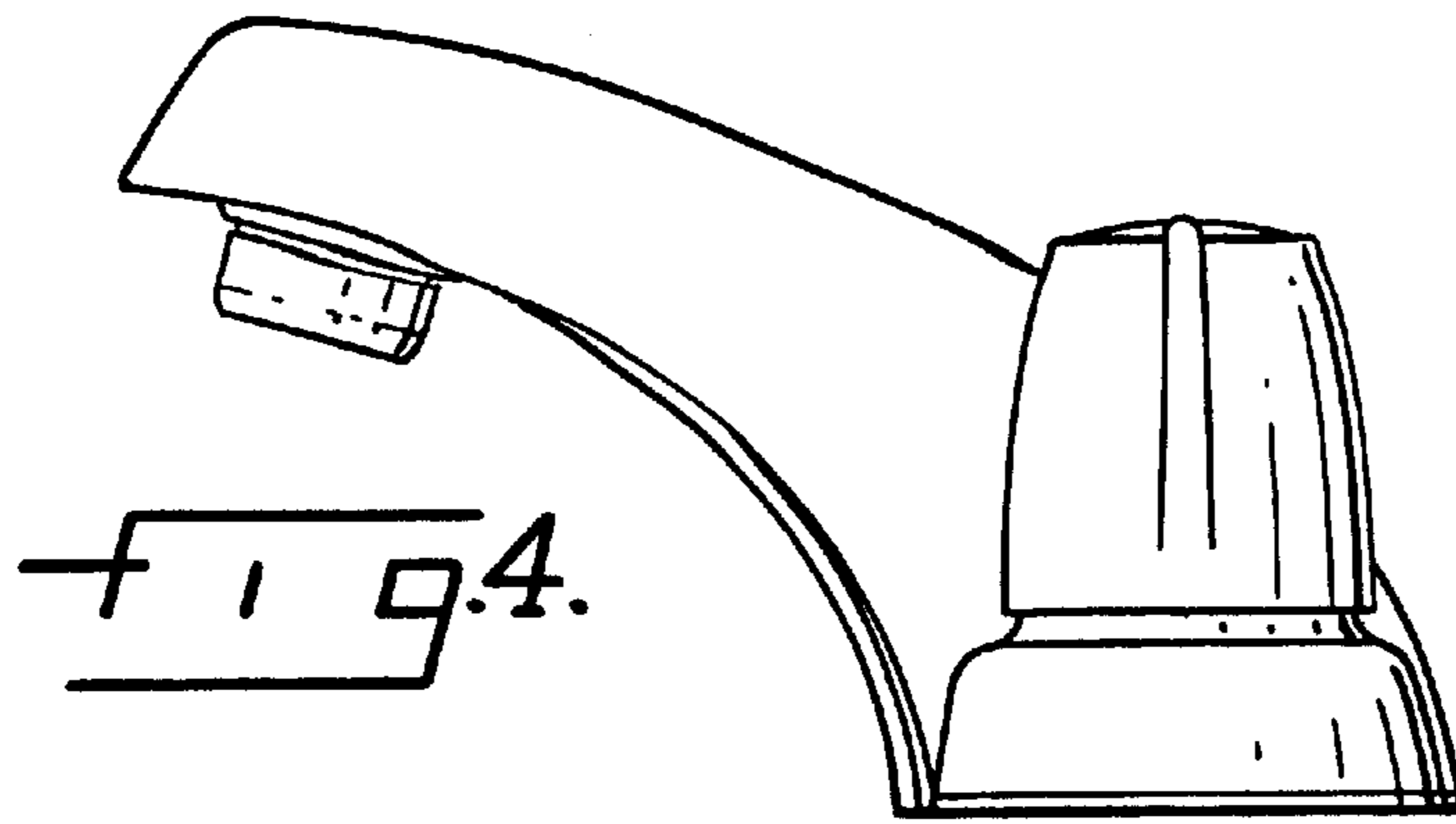


FIG. 4.

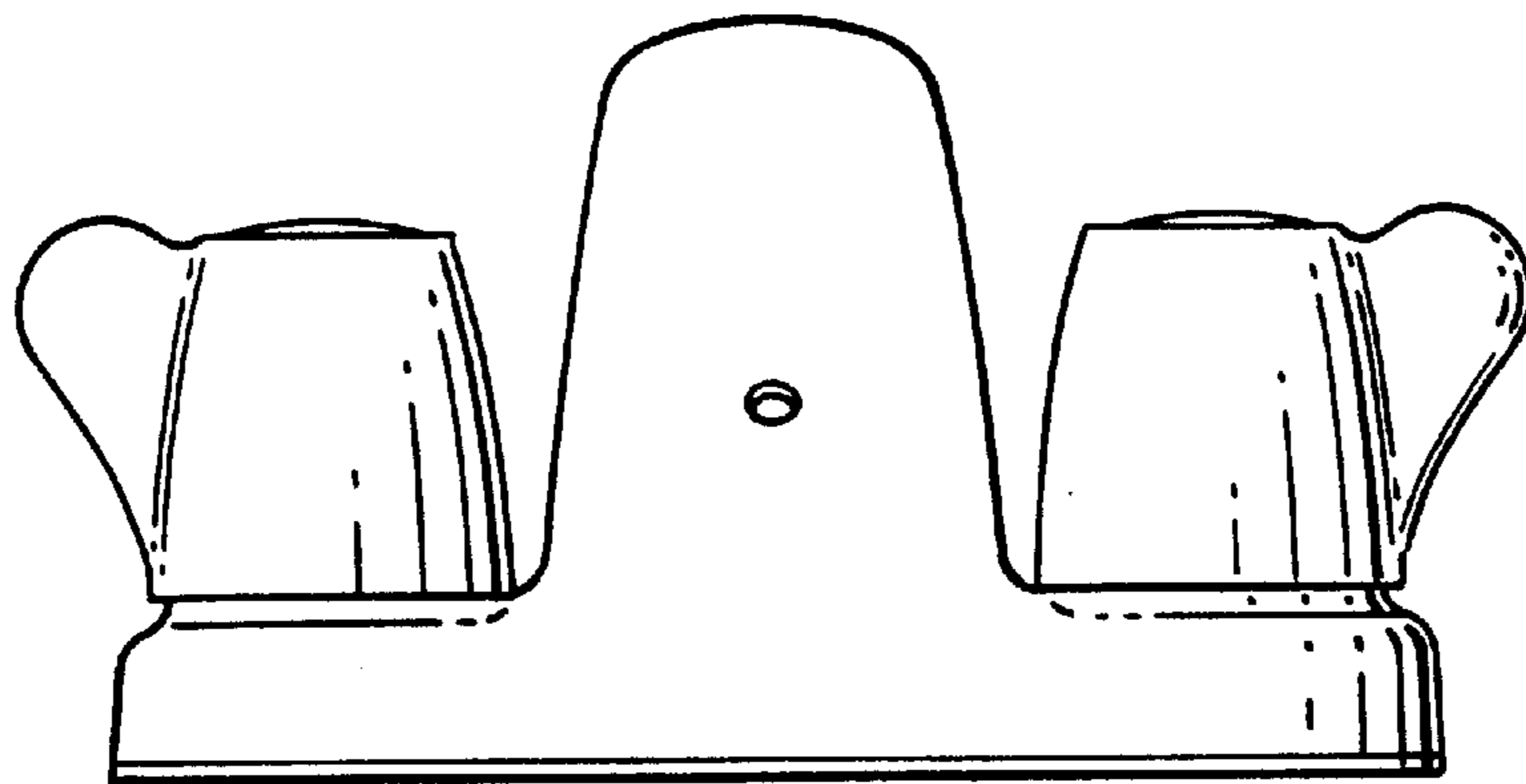


FIG. 5.

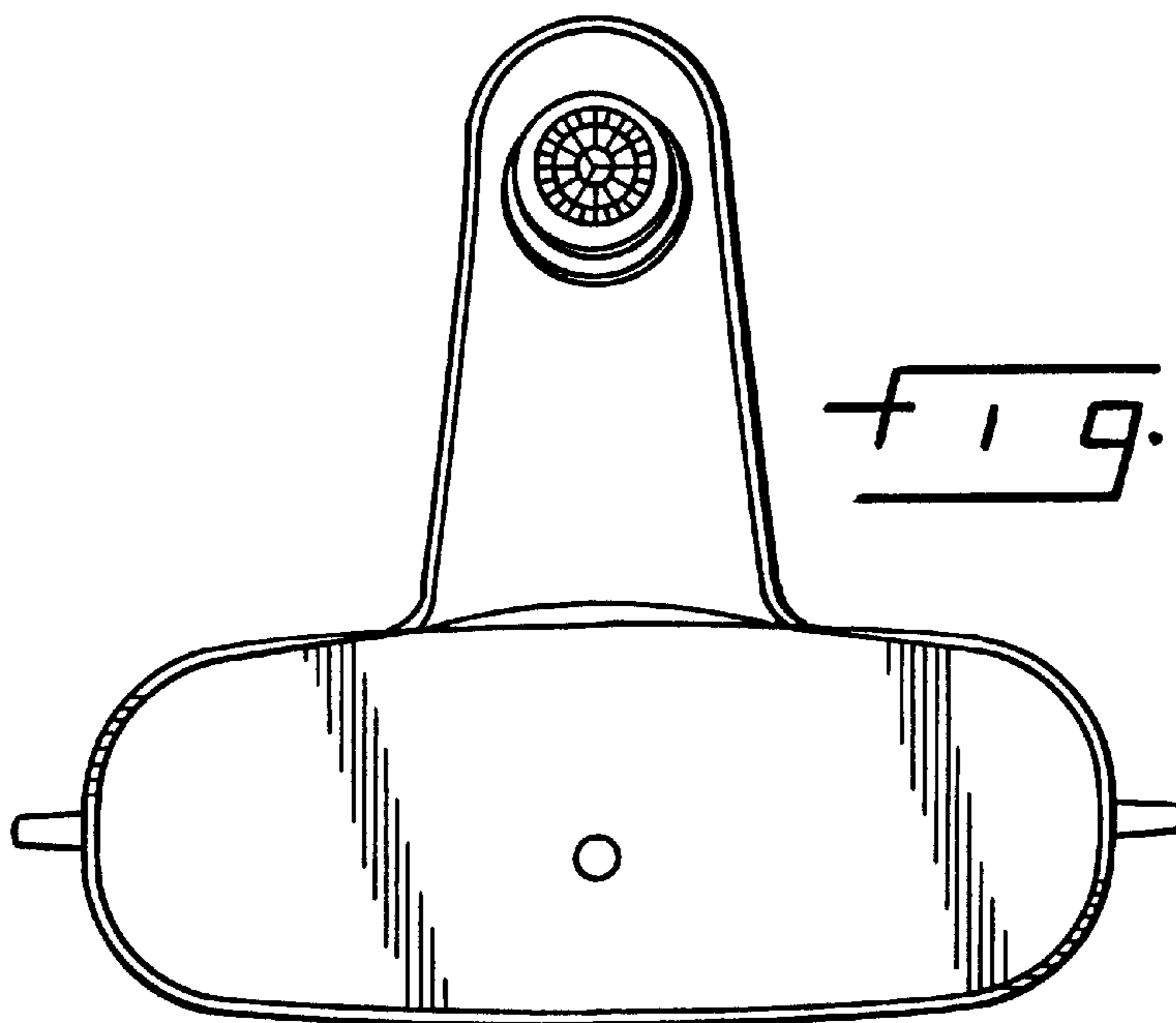


FIG. 6.