



US00D460153S

(12) **United States Design Patent**  
**Spangler**

(10) **Patent No.:** **US D460,153 S**

(45) **Date of Patent:** **\*\* Jul. 9, 2002**

(54) **FAUCET BODY**

D445,881 S 7/2001 Spangler

(75) Inventor: **Anthony G. Spangler**, Greensburg, IN (US)

\* cited by examiner

(73) Assignee: **Masco Corporation of Indiana**, Indianapolis, IN (US)

*Primary Examiner*—Louis S. Zarfes

*Assistant Examiner*—Gregory Andoll

(\*\*) Term: **14 Years**

(74) *Attorney, Agent, or Firm*—Kwadjo Adusei-Poku; Lloyd D. Doigan

(21) Appl. No.: **29/147,923**

(57) **CLAIM**

(22) Filed: **Sep. 7, 2001**

The ornamental design for a faucet body, as shown and described.

(51) **LOC (7) Cl.** ..... **23-07**

**DESCRIPTION**

(52) **U.S. Cl.** ..... **D23/238; D23/249**

FIG. 1 is a front perspective view of a facet body showing my new design;

(58) **Field of Search** ..... D23/238–257;

4/675–678; 16/110 R–121; D8/300–308

FIG. 2 is a rear perspective view thereof;

FIG. 3 is a front elevational view thereof;

FIG. 4 is a rear elevational view thereof;

FIG. 5 is a top plan view thereof;

FIG. 6 is a bottom plan view thereof; and,

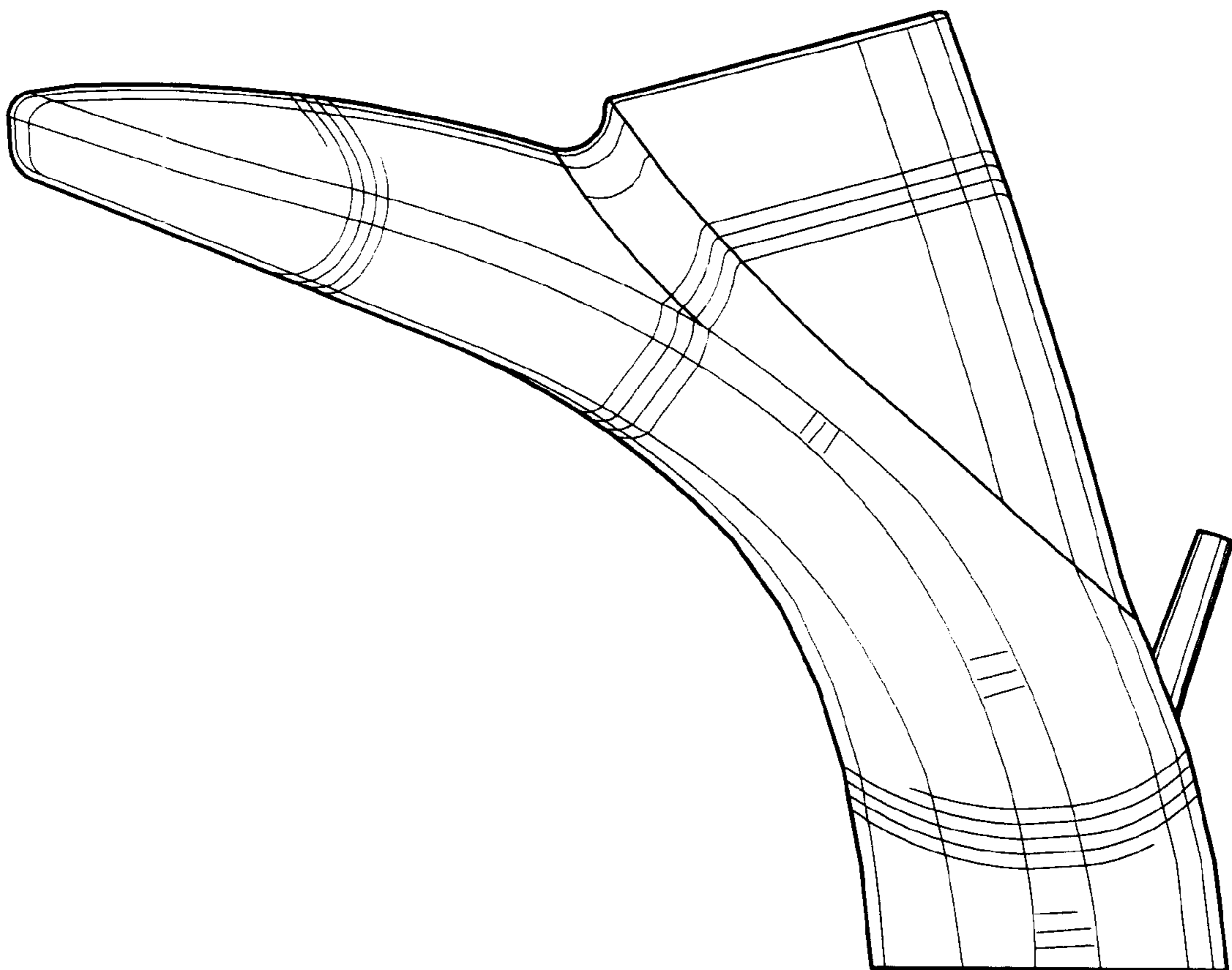
FIG. 7 is a side elevational view, the other side being a mirror image of the side shown.

(56) **References Cited**

**U.S. PATENT DOCUMENTS**

D313,464 S	*	1/1991	Di Maggio	.....	D23/238
D354,336 S	*	1/1995	Delabie et al.	.....	D23/238
D394,698 S	*	5/1998	Krause	.....	D23/238
D422,342 S	*	4/2000	Mark et al.	.....	D23/238

**1 Claim, 3 Drawing Sheets**



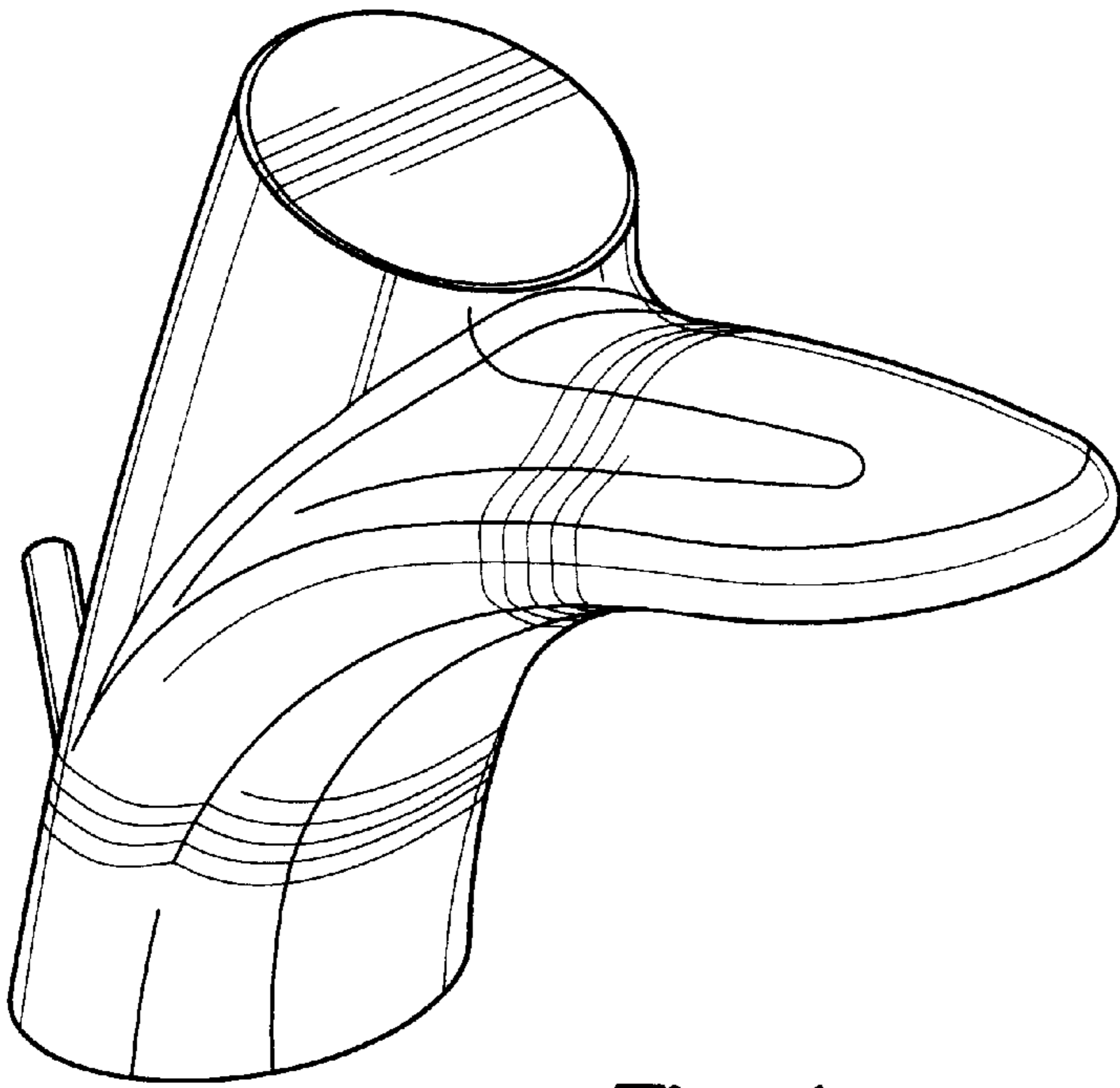


Fig-1

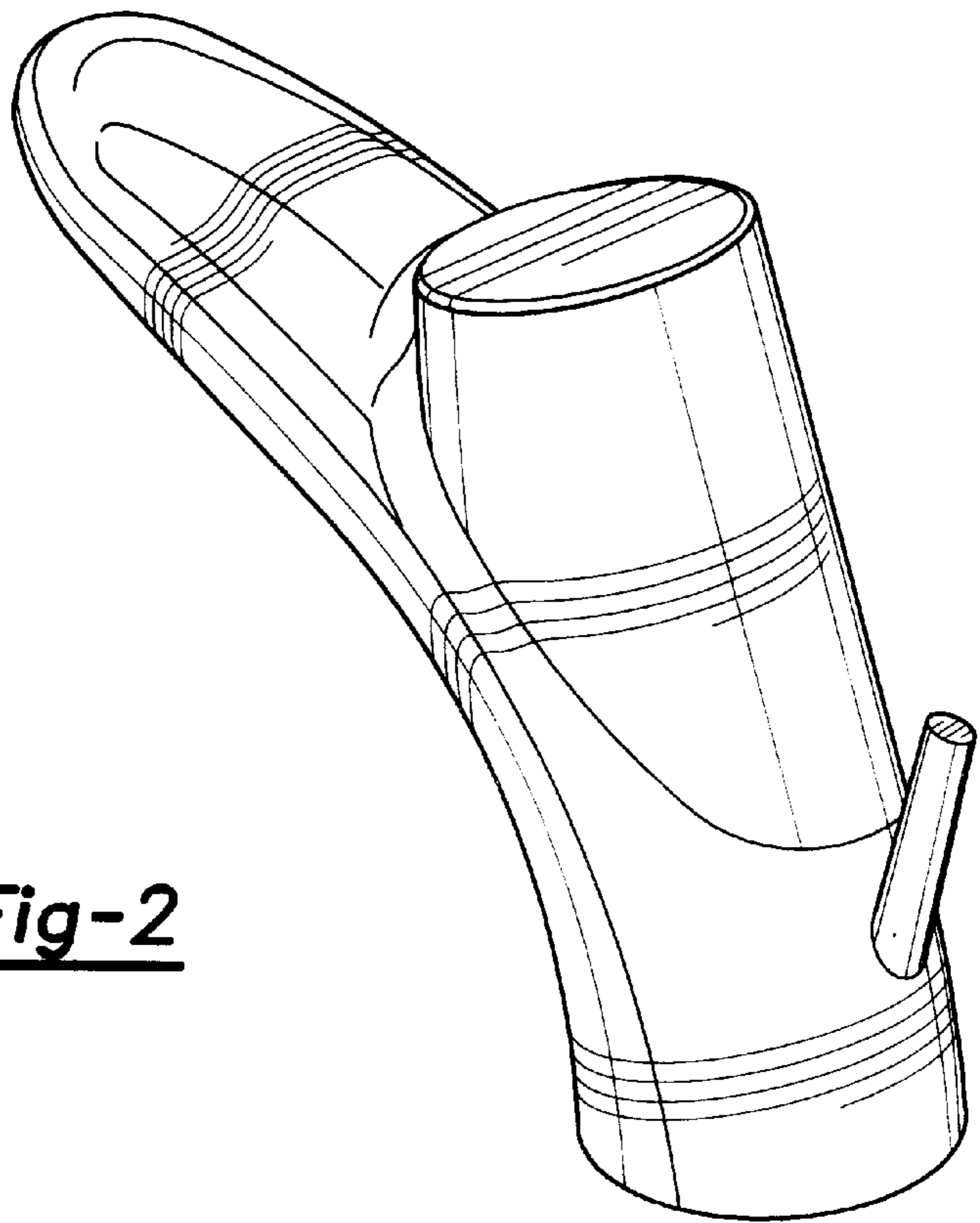


Fig-2

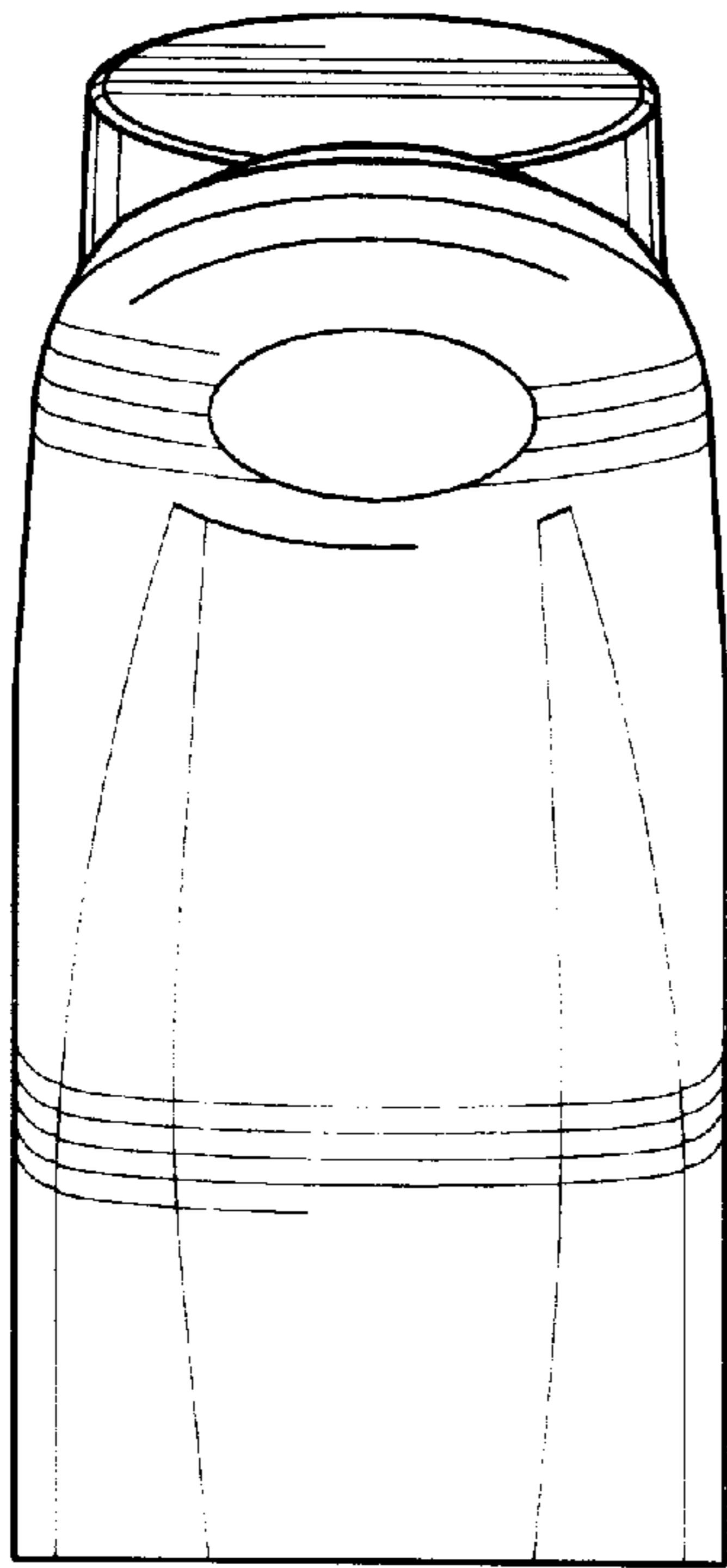


Fig-3

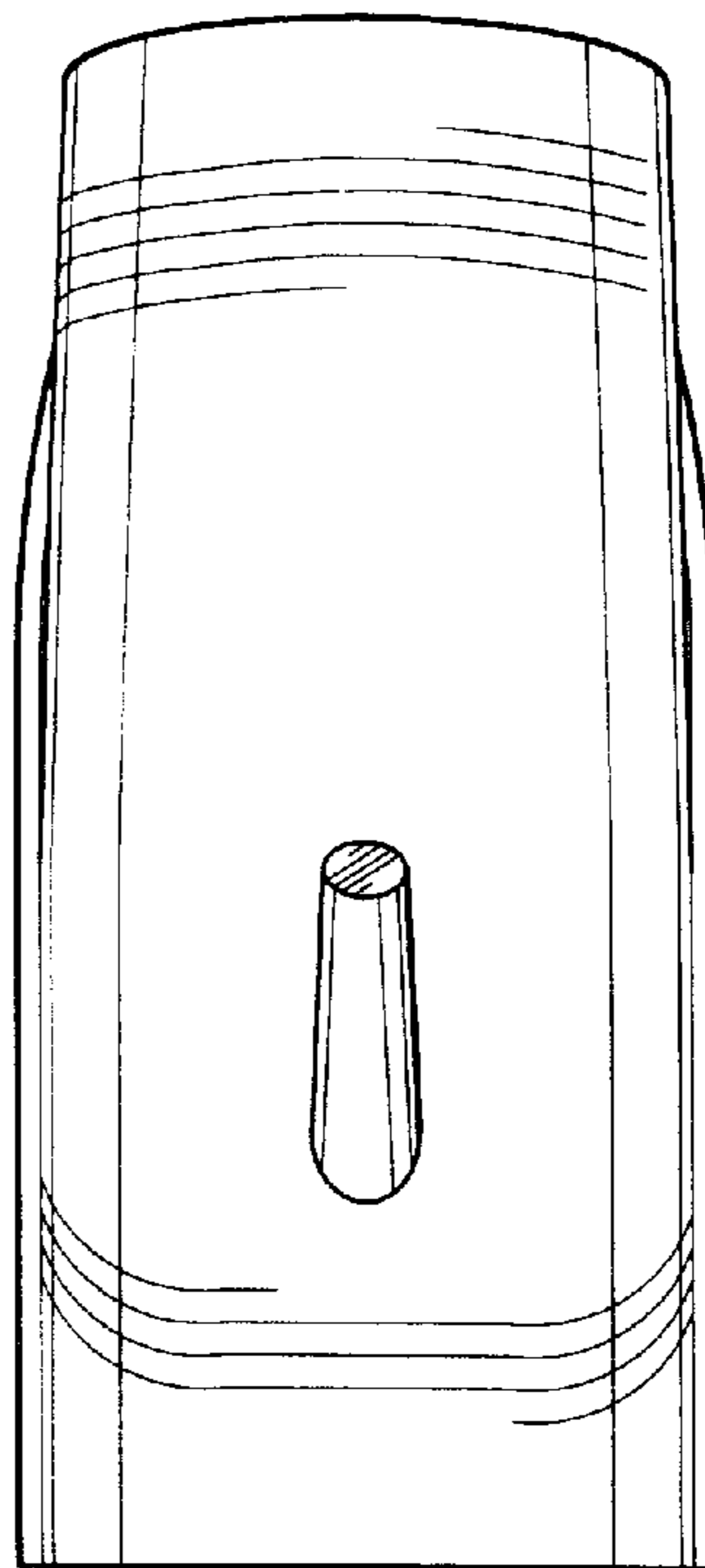


Fig-4

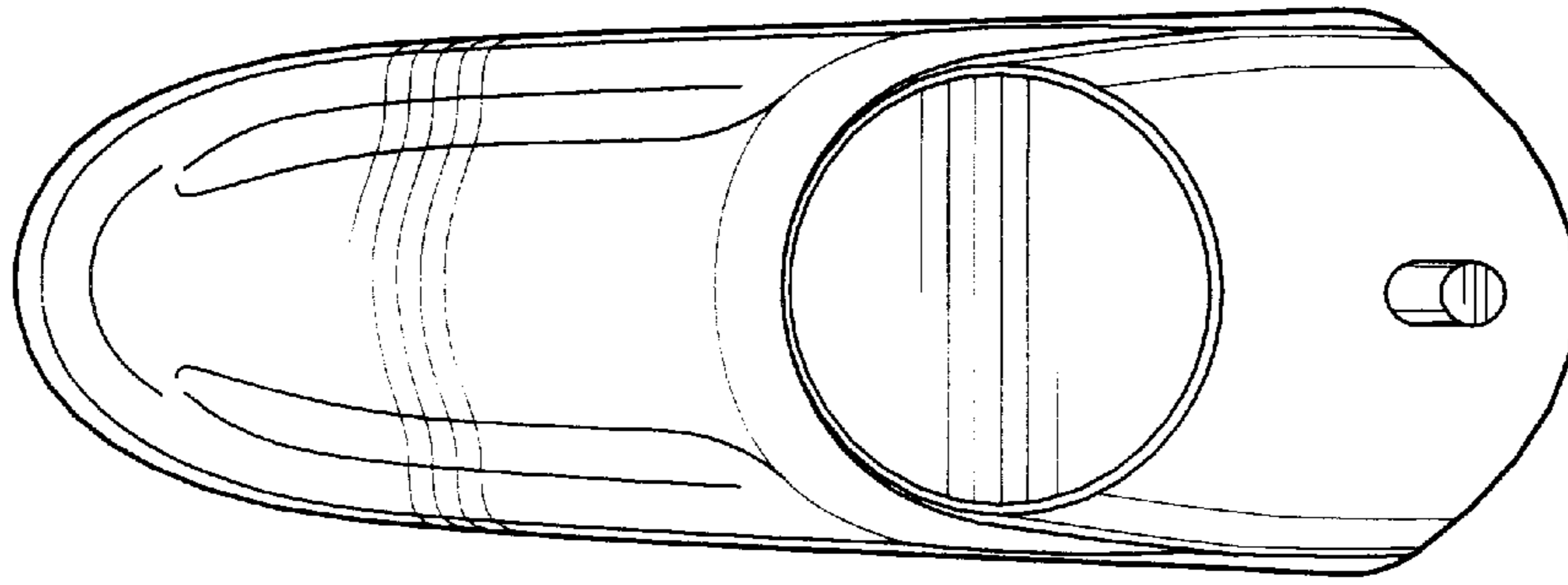


Fig-5

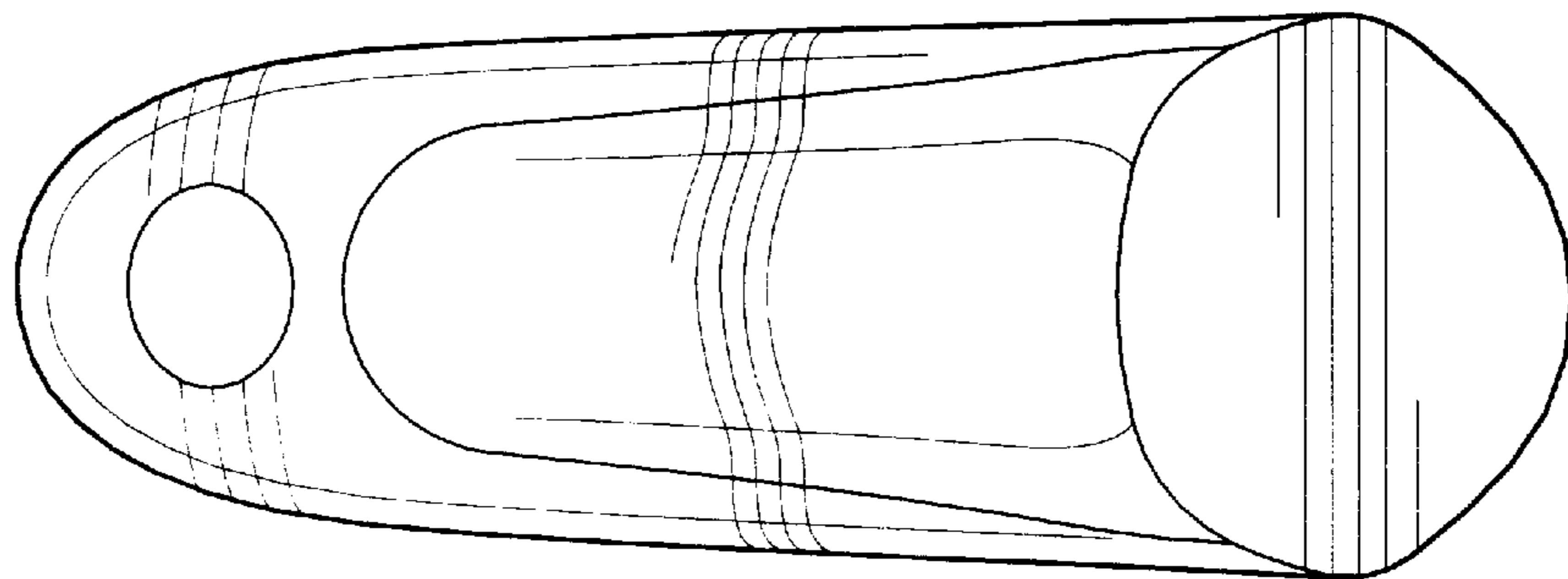


Fig-6

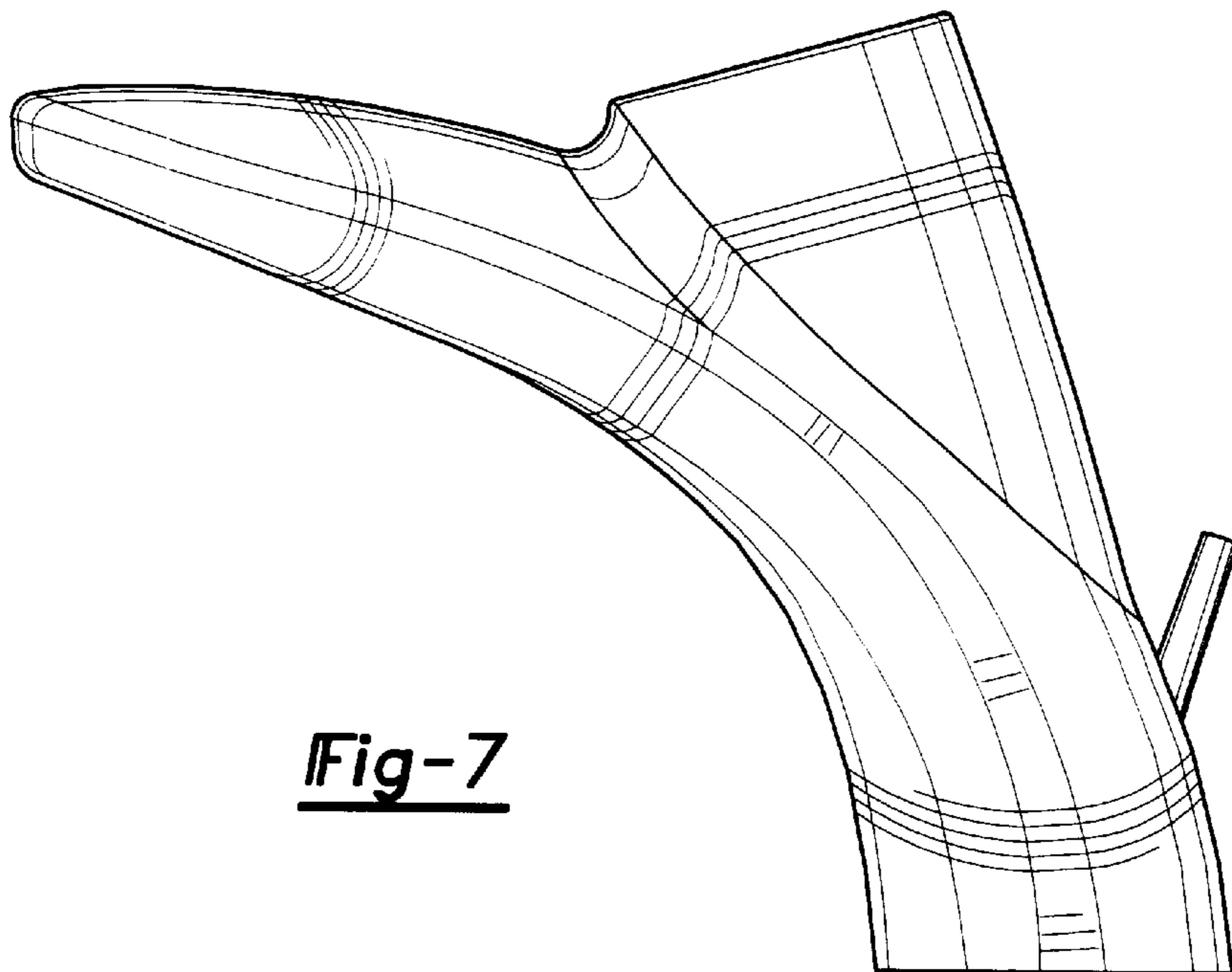


Fig-7