



US00D460152S

(12) **United States Design Patent**
Green et al.

(10) **Patent No.:** **US D460,152 S**
(45) **Date of Patent:** **** Jul. 9, 2002**

(54) **FAUCET**
(75) Inventors: **Eric Green**, Cleveland Heights;
Douglas A. Kemp, North Ridgeville,
both of OH (US)
(73) Assignee: **Moen Incorporated**, North Olmsted,
OH (US)
(**) Term: **14 Years**
(21) Appl. No.: **29/135,864**
(22) Filed: **Jan. 19, 2001**
(51) **LOC (7) Cl.** **23-01**
(52) **U.S. Cl.** **D23/238**
(58) **Field of Search** D23/238-243,
D23/250-257; 4/675-678; 137/801; D8/300-310

D384,401 S 9/1997 Doughty et al.
D384,402 S 9/1997 Doughty et al.
D387,130 S 12/1997 Warshawsky
D387,132 S * 12/1997 Donahue et al. D23/238
D394,699 S 5/1998 Doughty et al.
D397,423 S * 8/1998 Short et al. D23/238
D404,470 S 1/1999 Pitsch et al.
D404,802 S 1/1999 Delker
D407,143 S 3/1999 Hyde et al.
D407,466 S 3/1999 Hundley et al.
D409,288 S 5/1999 Hyde
D412,560 S 8/1999 Kuo
D418,202 S 12/1999 Warshawsky et al.
D418,578 S 1/2000 Warshawskt et al.
D418,580 S 1/2000 Warshawsky et al.
D418,581 S 1/2000 Warshawsky et al.
D419,220 S 1/2000 Warshawsky et al.
D420,102 S 2/2000 Warshawsky et al.
D424,173 S * 5/2000 Donahue et al. D23/243
D444,855 S * 7/2001 Gren et al. D23/252

(56) **References Cited**
U.S. PATENT DOCUMENTS
D87,328 S 7/1932 Brotz
D276,259 S 11/1984 Miller
D280,008 S 8/1985 Miller et al.
D285,106 S 8/1986 Yost
D288,837 S 3/1987 Yost
D325,772 S 4/1992 Carr
D327,532 S 6/1992 Ko
D346,012 S 4/1994 McKeone et al.
D349,155 S 7/1994 McKeone et al.
D366,517 S 1/1996 Doughty et al.
D368,302 S 3/1996 Doughty et al.
D372,300 S 7/1996 Fabian
D377,516 S 1/1997 Doughty et al.
D378,230 S 2/1997 Doughty et al.
D381,400 S 7/1997 Doughty et al.
D381,404 S 7/1997 Doughty et al.
D384,130 S 9/1997 Doughty et al.
D384,400 S 9/1997 Doughty et al.

* cited by examiner
Primary Examiner—Louis S. Zarfes
Assistant Examiner—Gregory Andoll
(74) *Attorney, Agent, or Firm*—Cook, Alex, McFarron,
Manzo, Cummings & Mehler, Ltd.

(57) **CLAIM**
The ornamental design for a faucet, as shown and described.

DESCRIPTION
FIG. 1 is a perspective view of our new design for a faucet;
FIG. 2 is a front view thereof;
FIG. 3 is a left side view thereof, the right side being the
same as the left side;
FIG. 4 is a top view thereof;
FIG. 5 is a rear view thereof; and,
FIG. 6 is a bottom view thereof.

1 Claim, 3 Drawing Sheets

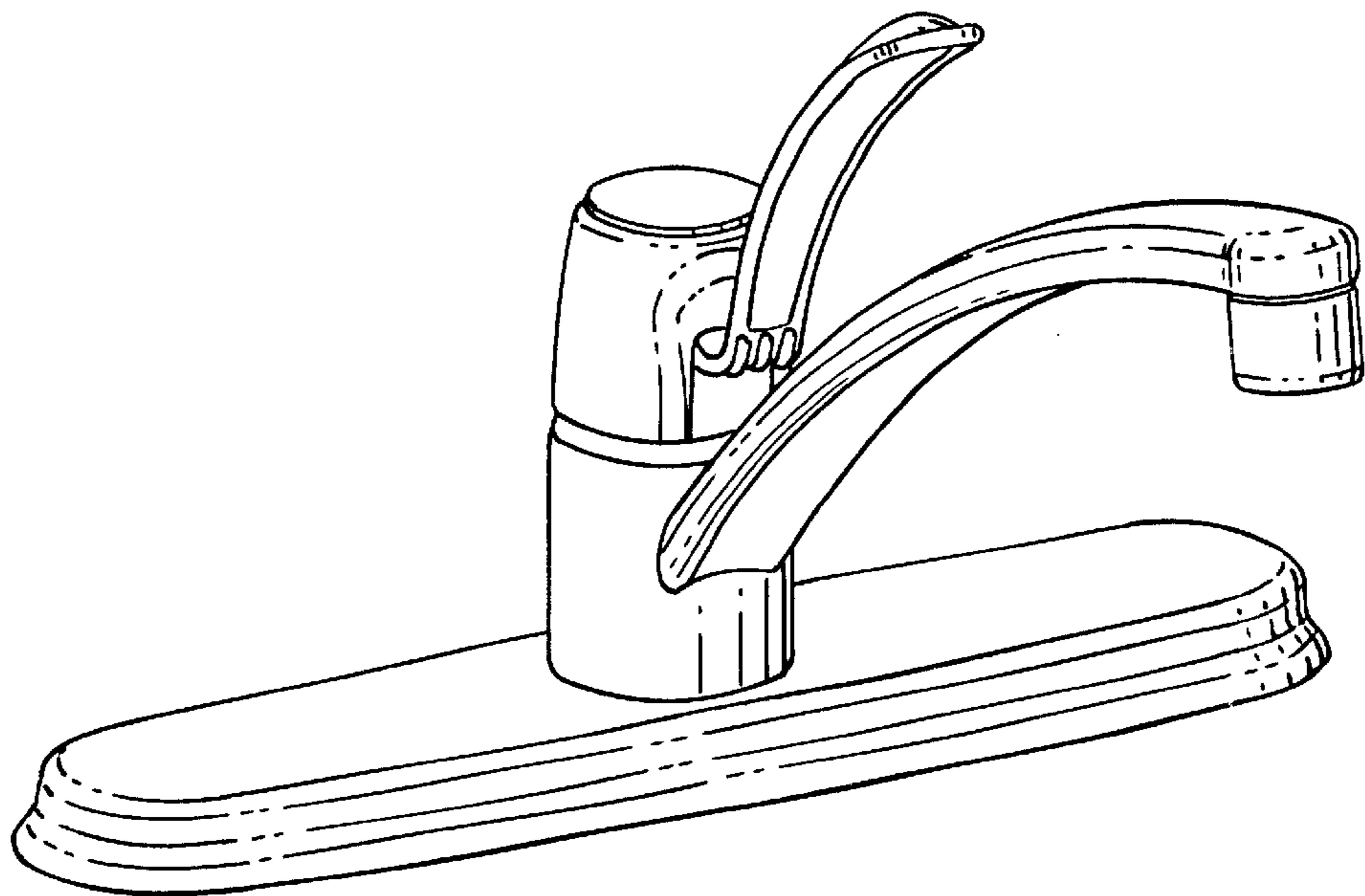


Fig. 1.

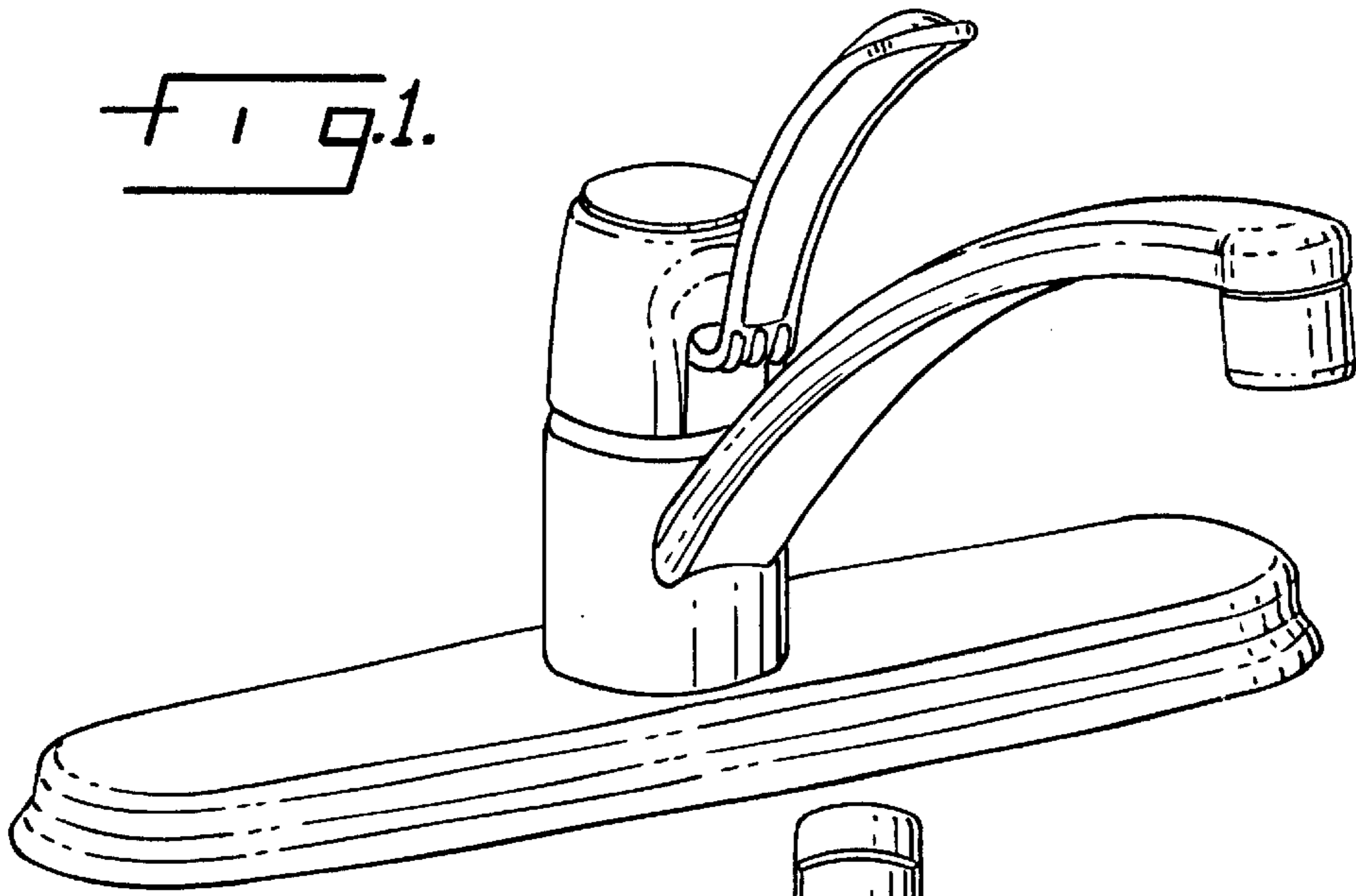


Fig. 2.

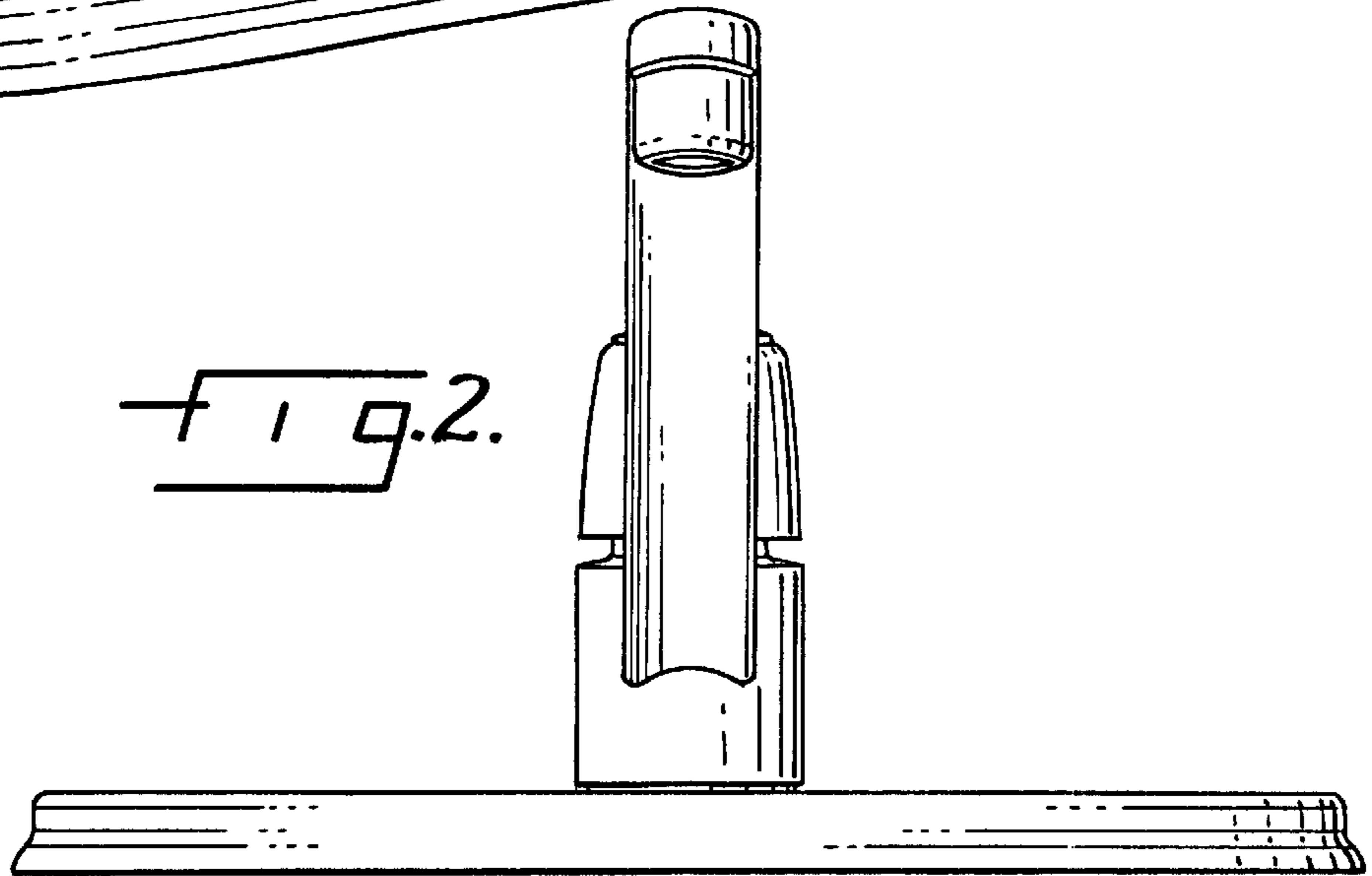
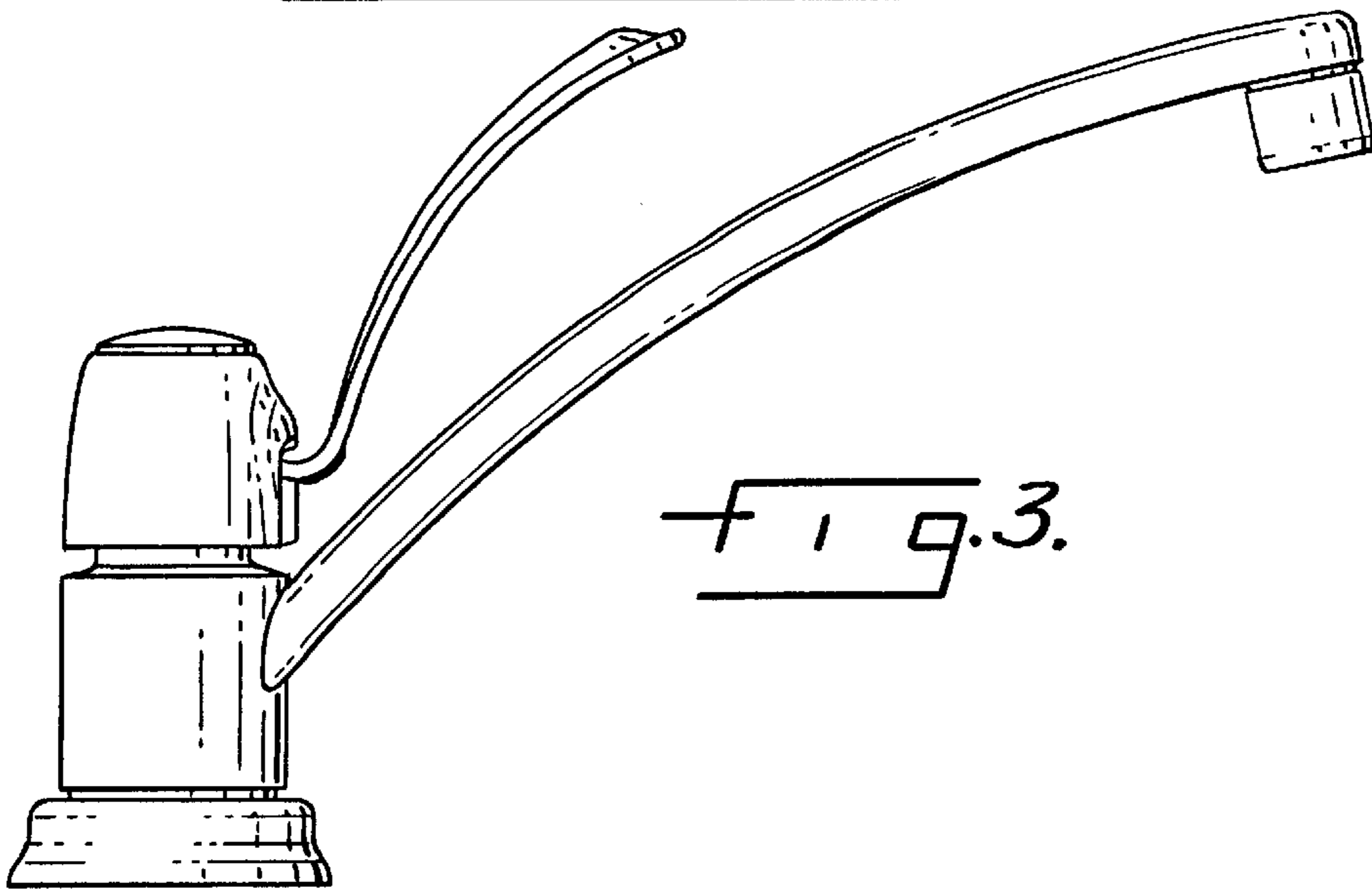


Fig. 3.



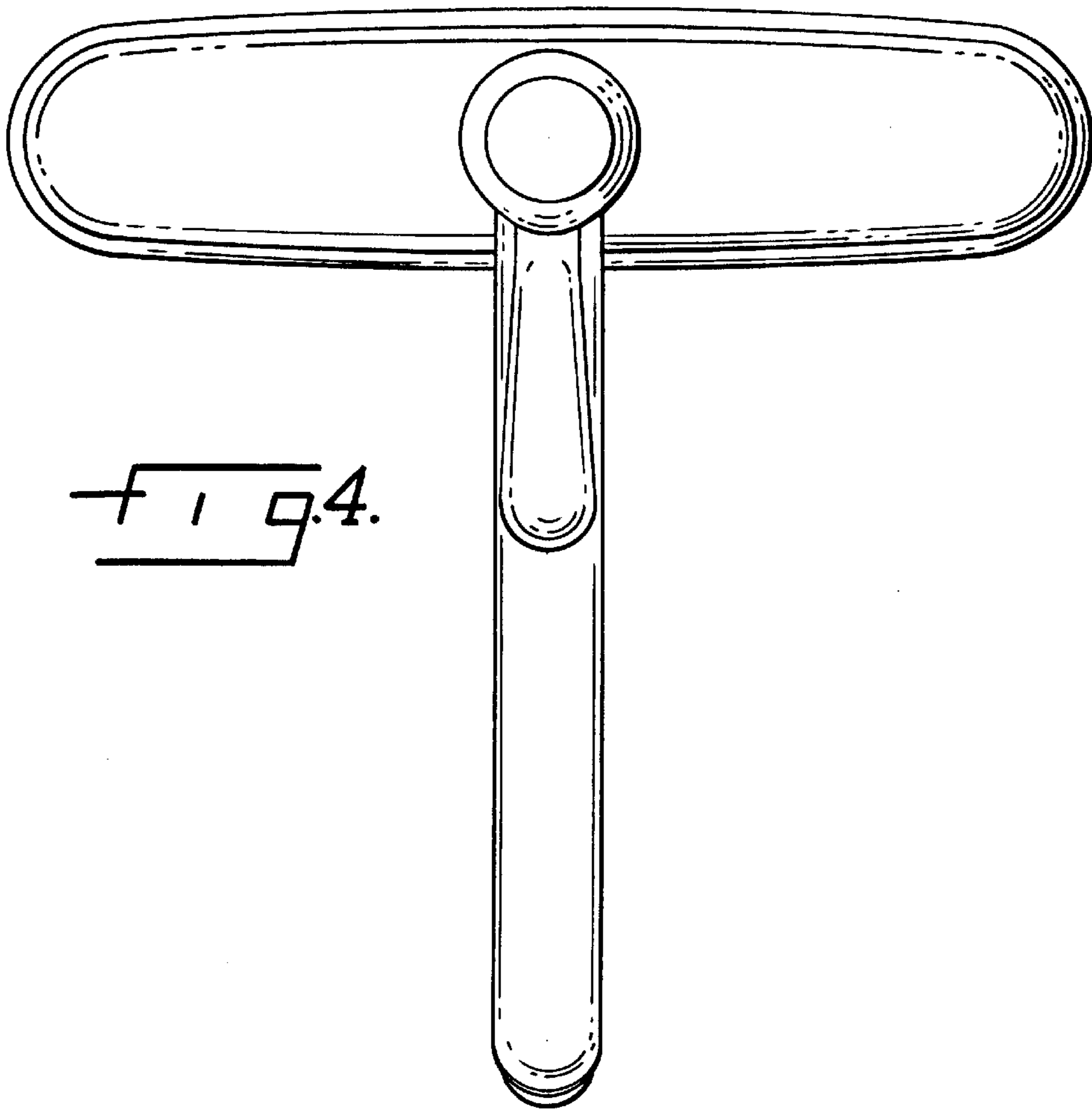


FIG. 4.

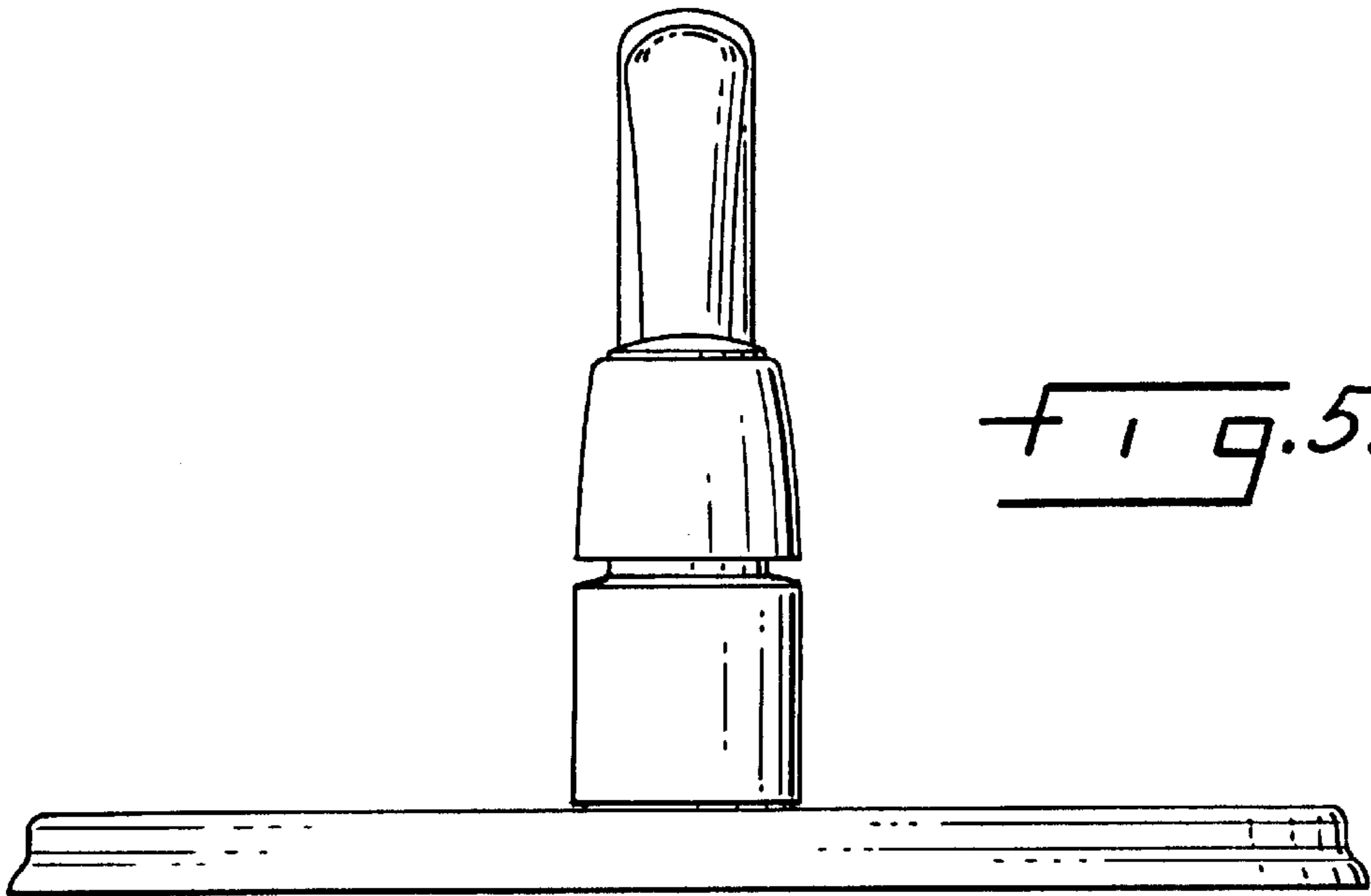


FIG. 5.

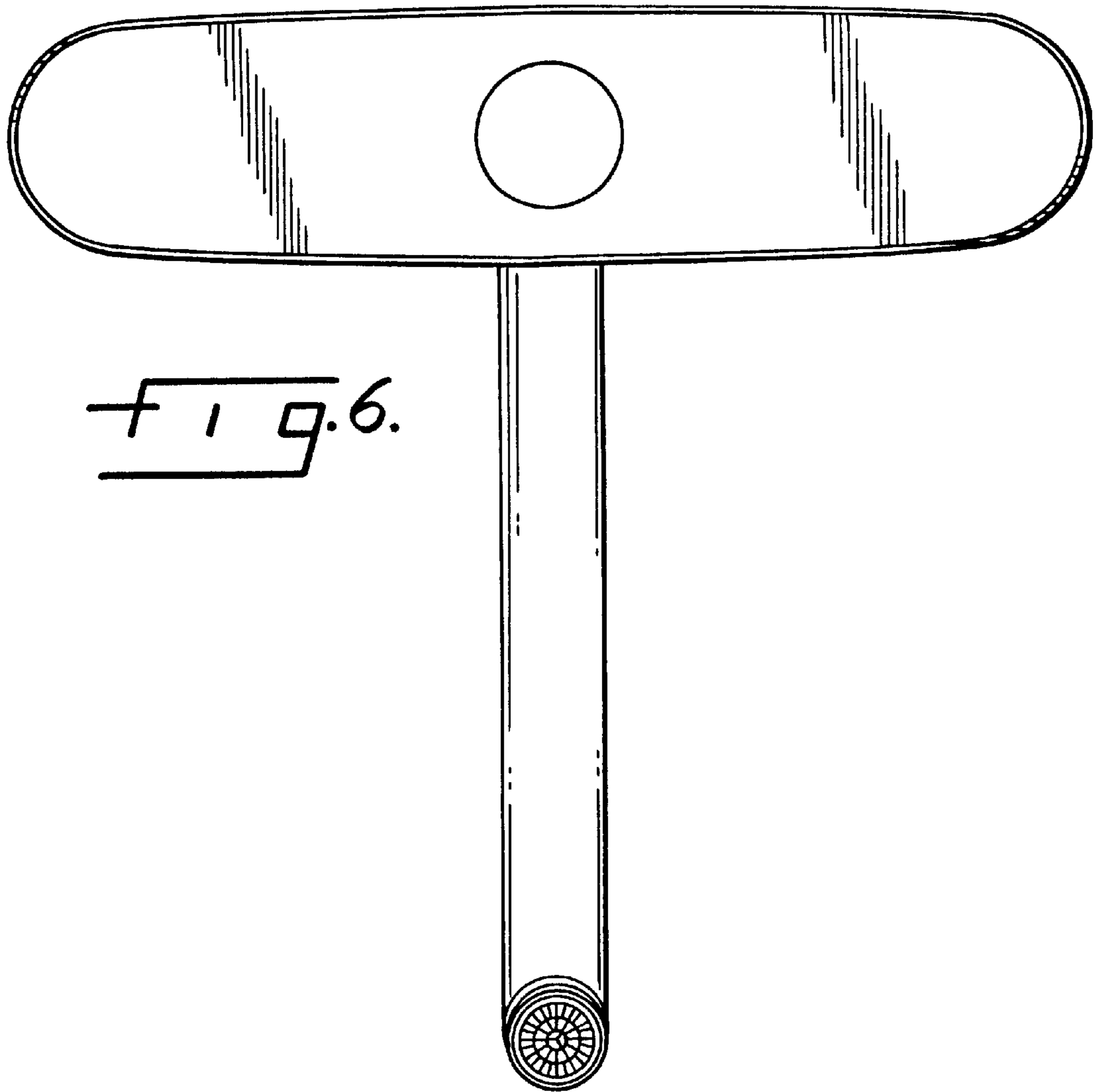


FIG. 6.