



US00D460150S

(12) **United States Design Patent**
Rexach

(10) **Patent No.:** **US D460,150 S**

(45) **Date of Patent:** **** Jul. 9, 2002**

(54) **FAUCET**

(74) *Attorney, Agent, or Firm*—Quarles & Brady LLP

(75) **Inventor:** **Rafael A. Rexach**, Garland, TX (US)

(57) **CLAIM**

(73) **Assignee:** **Kohler Co.**, Kohler, WI (US)

The ornamental design for a faucet, as shown and described.

(**) **Term:** **14 Years**

DESCRIPTION

(21) **Appl. No.:** **29/121,408**

In a preferred embodiment, the nature of this product is as a plumbing fixture which is primarily useful for washing various objects.

(22) **Filed:** **Apr. 6, 2000**

(51) **LOC (7) Cl.** **23-01**

(52) **U.S. Cl.** **D23/238**

(58) **Field of Search** D23/238–243,
D23/250–257; 4/675–978; 137/801

FIG. 1 is a right, top, front perspective view of a faucet embodying my new design;

FIG. 2 is a front elevational view thereof;

FIG. 3 is a right side elevational view thereof;

FIG. 4 is a rear elevational view thereof;

FIG. 5 is a left side elevational view thereof;

FIG. 6 is a top plan view thereof;

FIG. 7 is a bottom plan view thereof; and,

FIG. 8 is a front elevational view of a second embodiment, the left side elevational view being a mirror image of that shown in FIG. 3, the rear elevational view being a mirror image of that shown in FIG. 4, the right side elevational view being a mirror image of that shown in FIG. 5, the top plan view being a mirror image of that shown in FIG. 6, and the bottom plan view being a mirror image of that shown in FIG. 7.

(56) **References Cited**

U.S. PATENT DOCUMENTS

D337,812 S	*	7/1993	Bray	D23/238
D361,825 S	*	8/1995	Mine	D23/238
D366,098 S	*	1/1996	Gottwald	D23/238
D428,965 S	*	8/2000	Slothower	D23/238
D437,394 S	*	2/2001	Mark et al.	D23/238
D441,836 S	*	5/2001	Mark et al.	D23/238

OTHER PUBLICATIONS

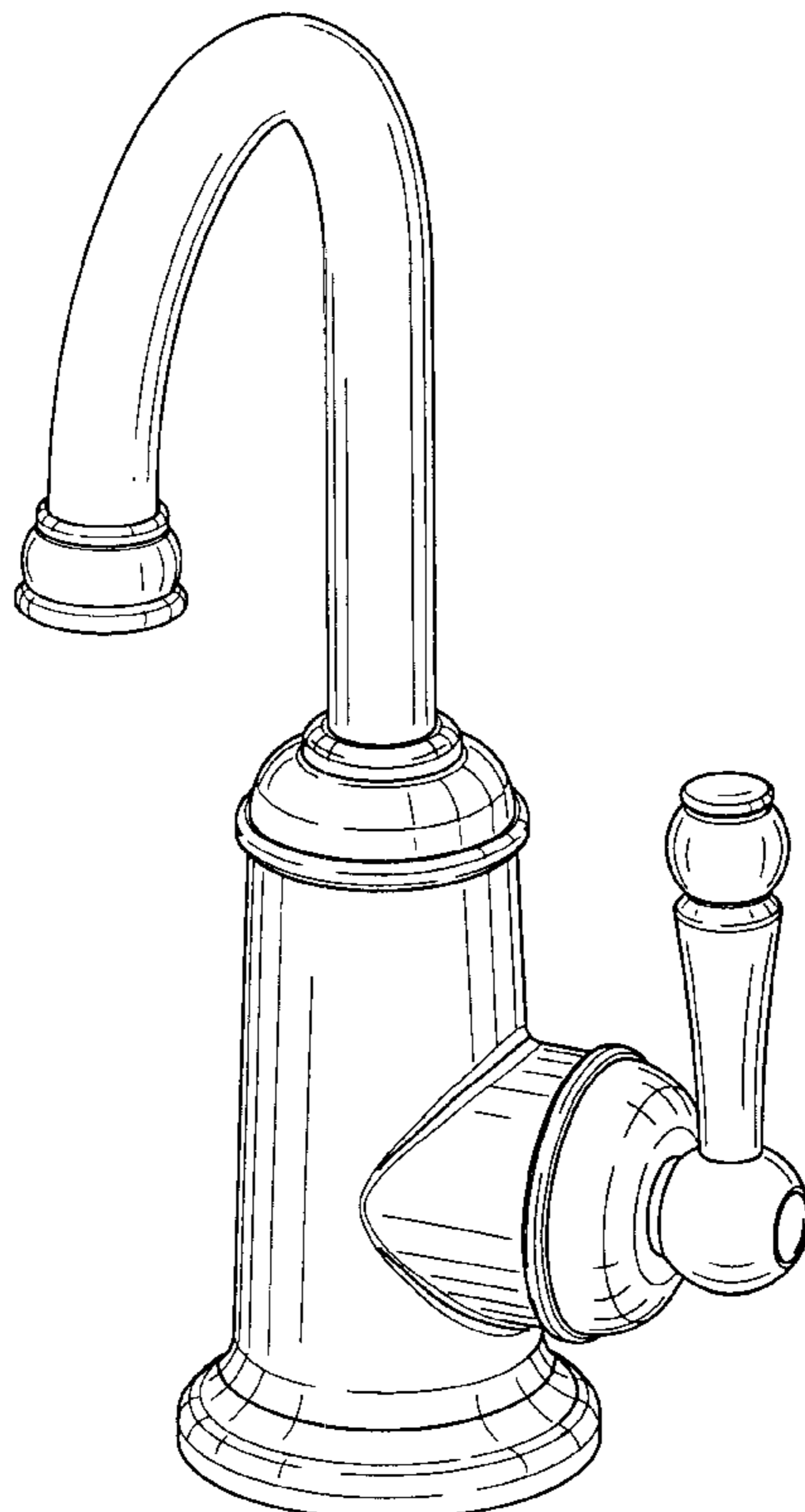
Undated catalog ad, supplier unknown, showing “Mono” faucet.

* cited by examiner

Primary Examiner—Louis S. Zarfes
Assistant Examiner—Gregory Andoll

The broken line representation of mounting structure in FIG. 7 is for the purpose of illustration only, and forms no part of the claimed design.

1 Claim, 5 Drawing Sheets



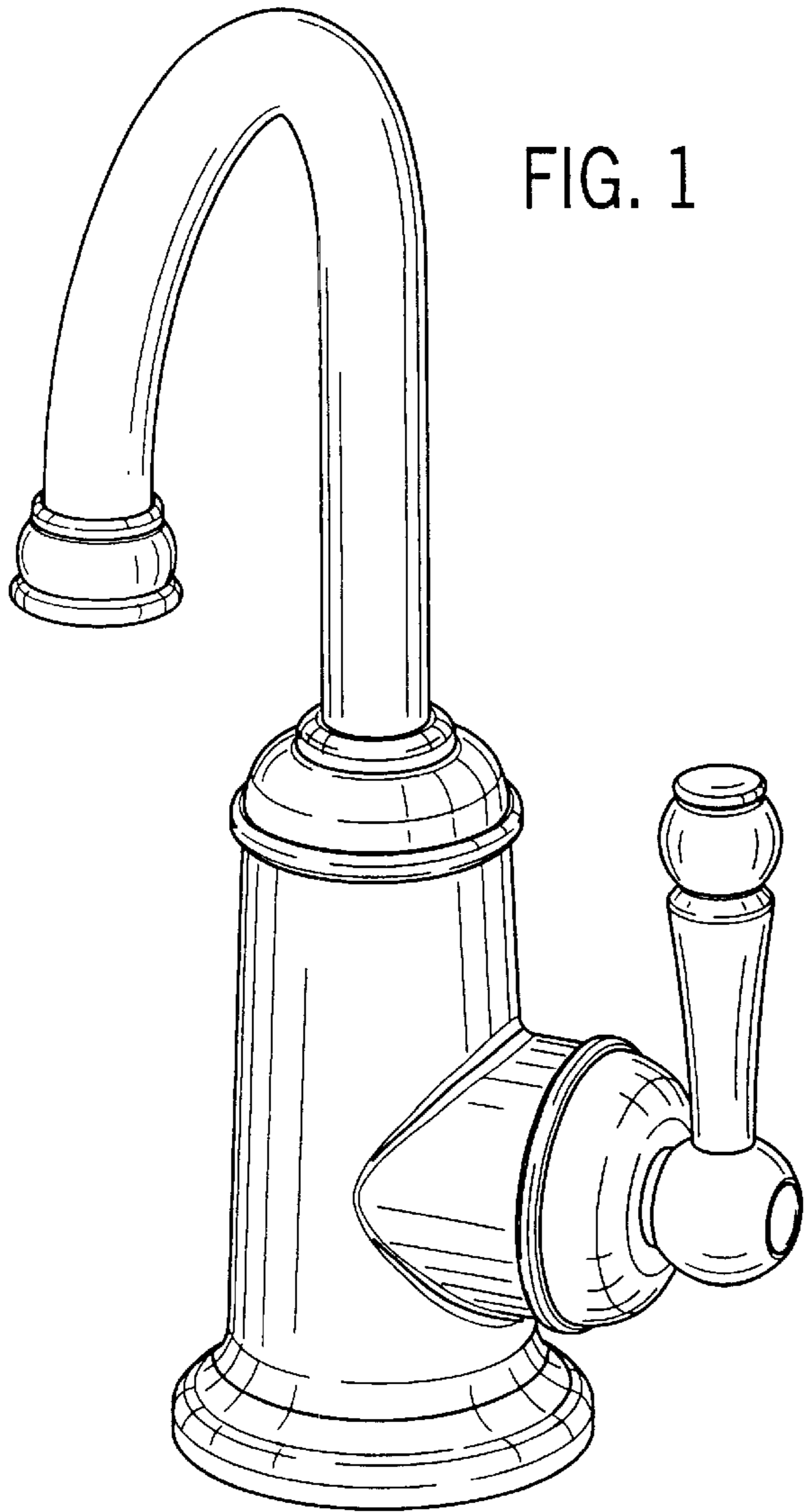


FIG. 1

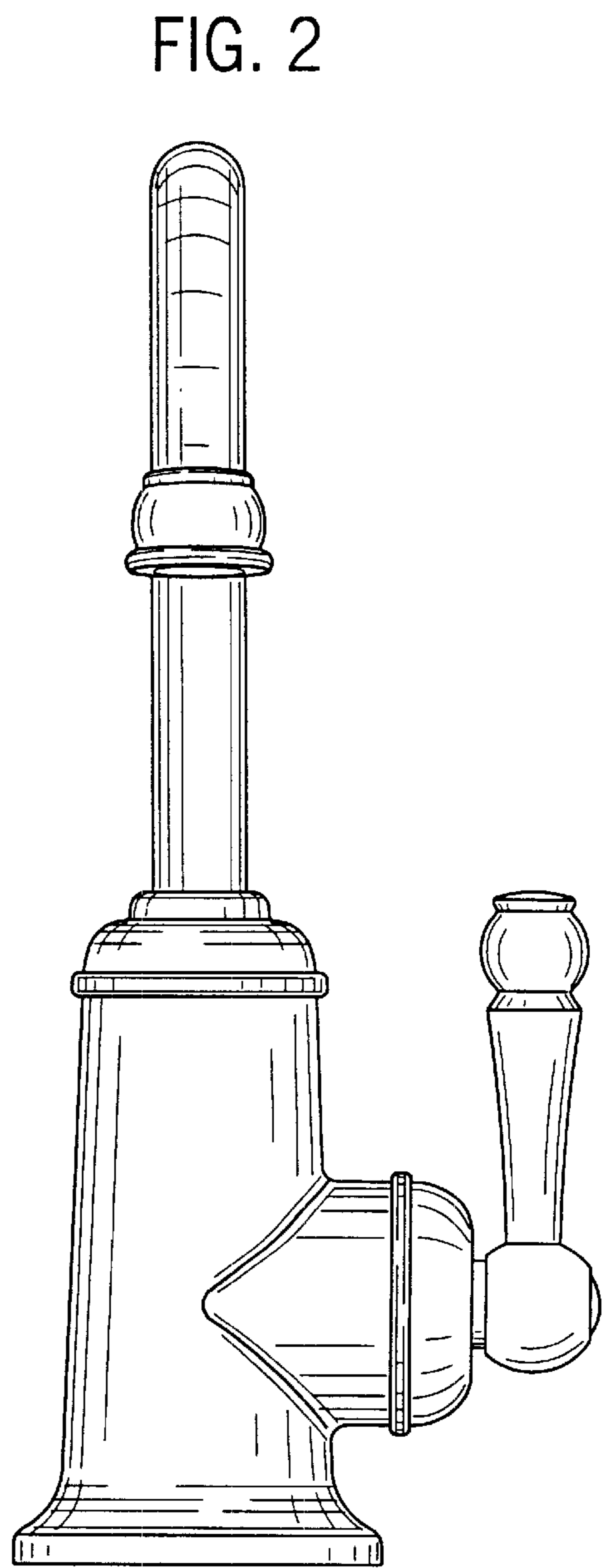


FIG. 2

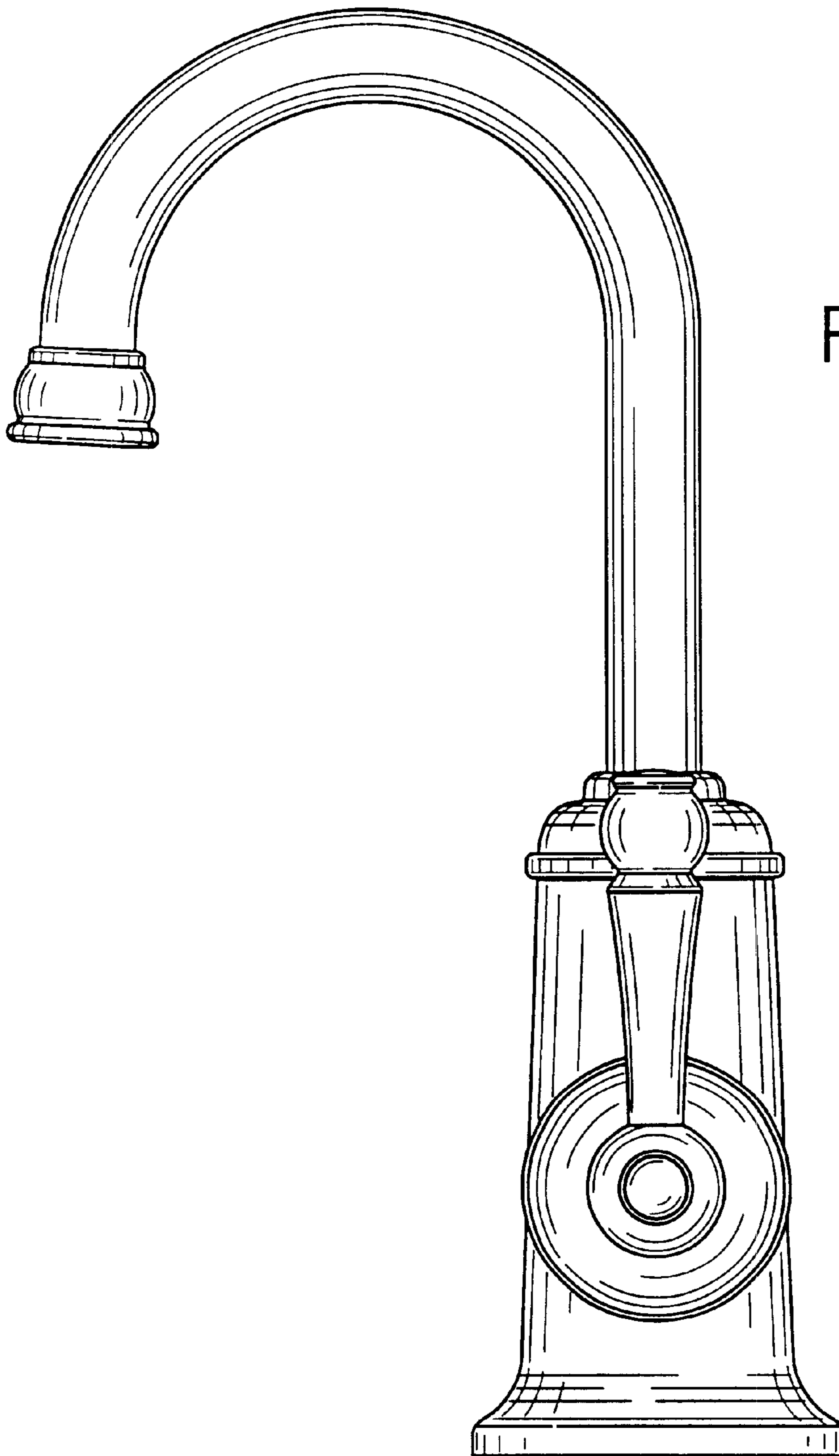


FIG. 3

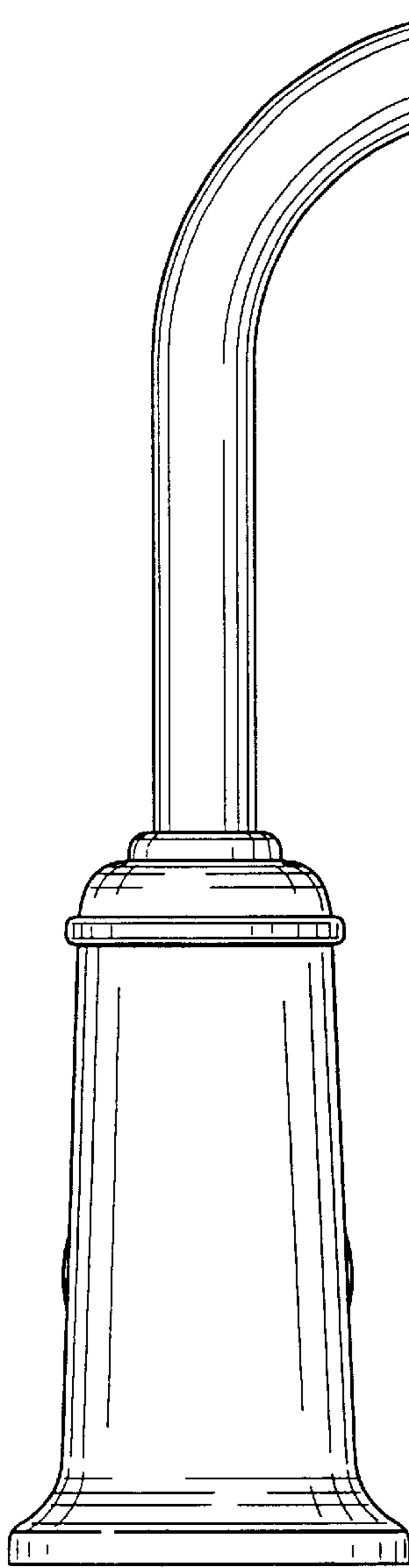


FIG. 5

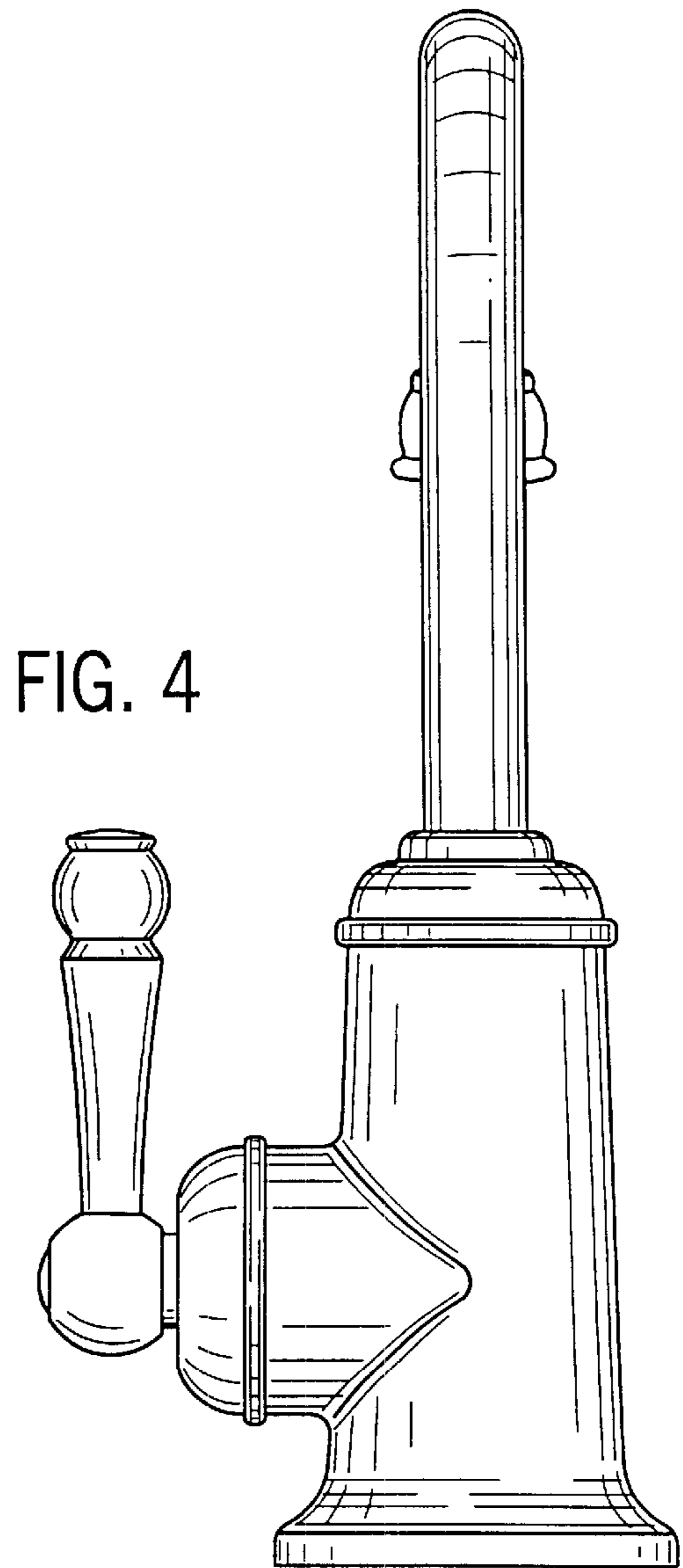


FIG. 4

FIG. 6

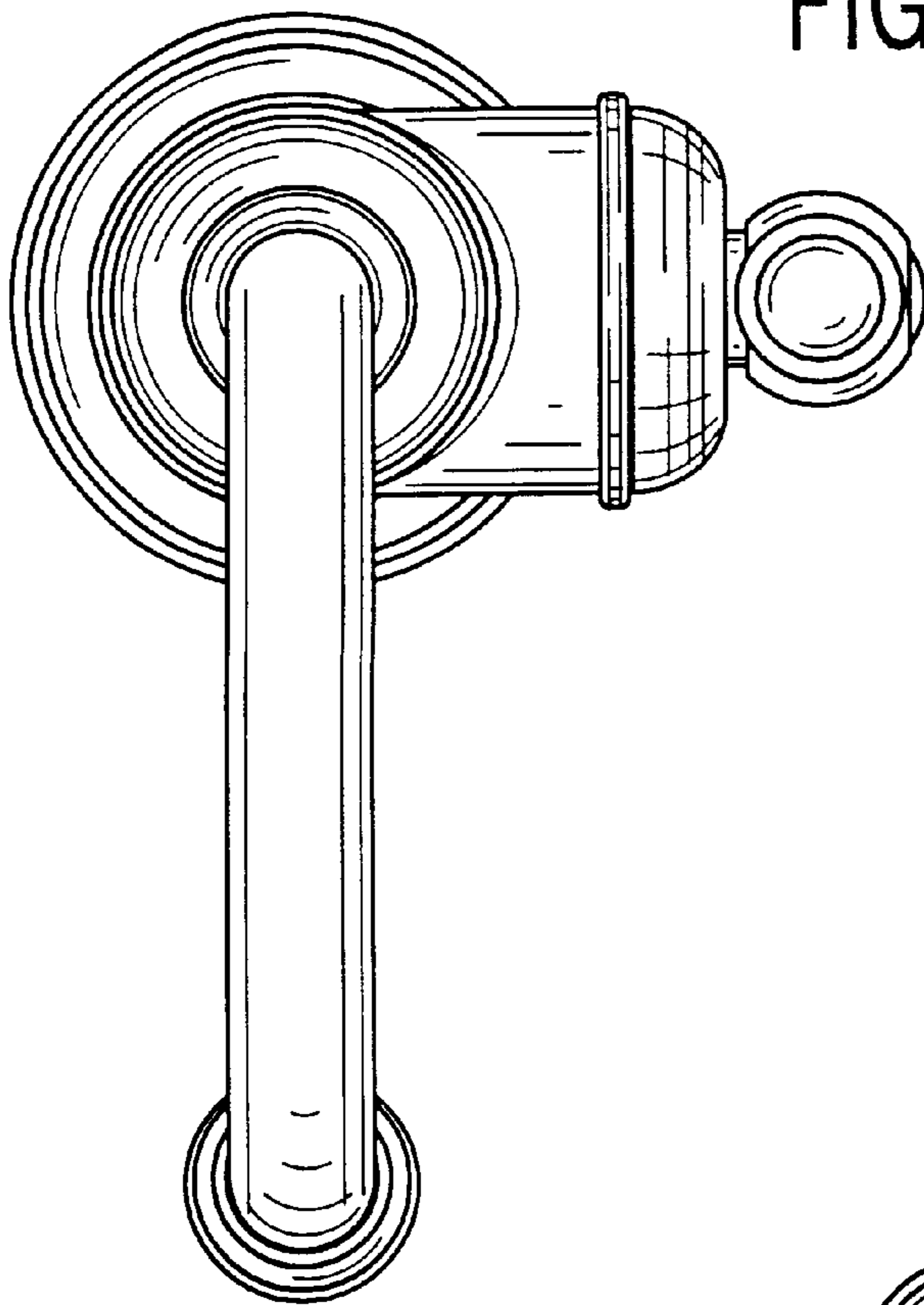


FIG. 7

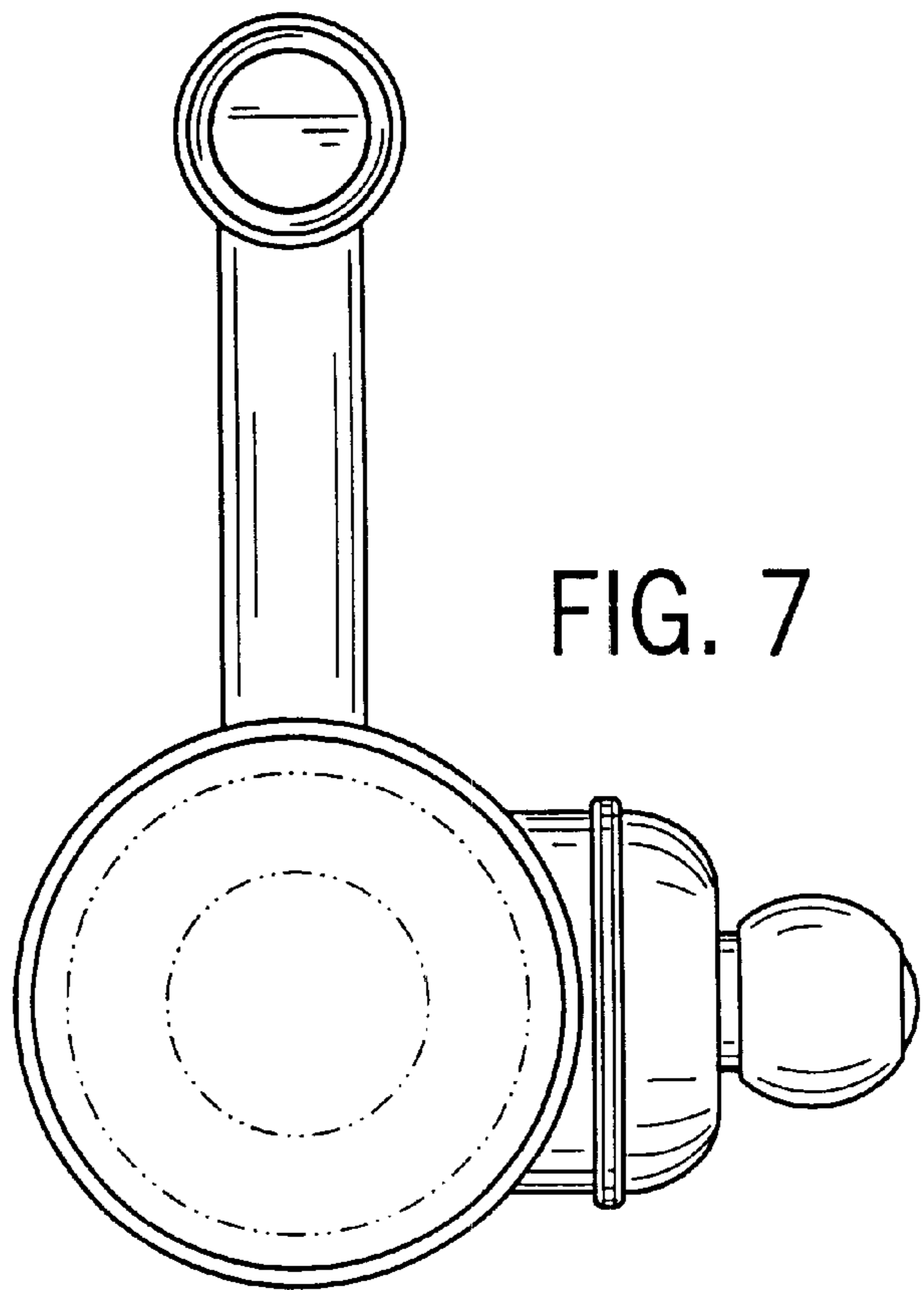


FIG. 8

