



US00D460145S

(12) **United States Design Patent**  
**Johnson**

(10) **Patent No.:** **US D460,145 S**

(45) **Date of Patent:** **\*\* Jul. 9, 2002**

(54) **TANK COVER**

(76) **Inventor:** **Stacy G. Johnson**, 5872 Cornwallis Rd., Garner, NC (US) 27529

(\*\*) **Term:** **14 Years**

(21) **Appl. No.:** **29/142,358**

(22) **Filed:** **May 23, 2001**

(51) **LOC (7) Cl.** ..... **23-01**

(52) **U.S. Cl.** ..... **D23/206**

(58) **Field of Search** ..... 52/3; 220/581, 220/23.91; 206/0.6; 150/154, 901; D23/202, 203, 205, 206

(56) **References Cited**

**U.S. PATENT DOCUMENTS**

- 1,375,480 A \* 4/1921 West
- 2,420,706 A \* 5/1947 Haven et al.
- 2,876,715 A \* 3/1959 Banks
- 3,783,766 A \* 1/1974 Boucher
- 3,906,129 A \* 9/1975 Damois ..... 150/154
- 4,228,622 A \* 10/1980 Tisma
- 4,385,474 A \* 5/1983 Earley
- 4,484,420 A \* 11/1984 Stokes ..... 52/3
- 4,538,385 A \* 9/1985 Kandarian
- 4,712,672 A \* 12/1987 Roy et al.
- 4,745,769 A \* 5/1988 Wooden, Jr.
- 4,811,767 A \* 3/1989 Kessler
- 5,356,046 A \* 10/1994 Burke ..... 150/154

- 5,984,172 A \* 11/1999 Easterwood
- 6,012,411 A \* 1/2000 Hochbrueckner
- 6,123,187 A \* 9/2000 Bartels
- 6,158,175 A \* 12/2000 Carter

\* cited by examiner

*Primary Examiner*—Robin V. Taylor

(74) *Attorney, Agent, or Firm*—Coats & Bennett, P.L.L.C.

(57) **CLAIM**

The ornamental design for tank cover, as shown and described.

**DESCRIPTION**

FIG. 1 is a front perspective view of a first embodiment of a two piece tank cover in accordance with the present invention;

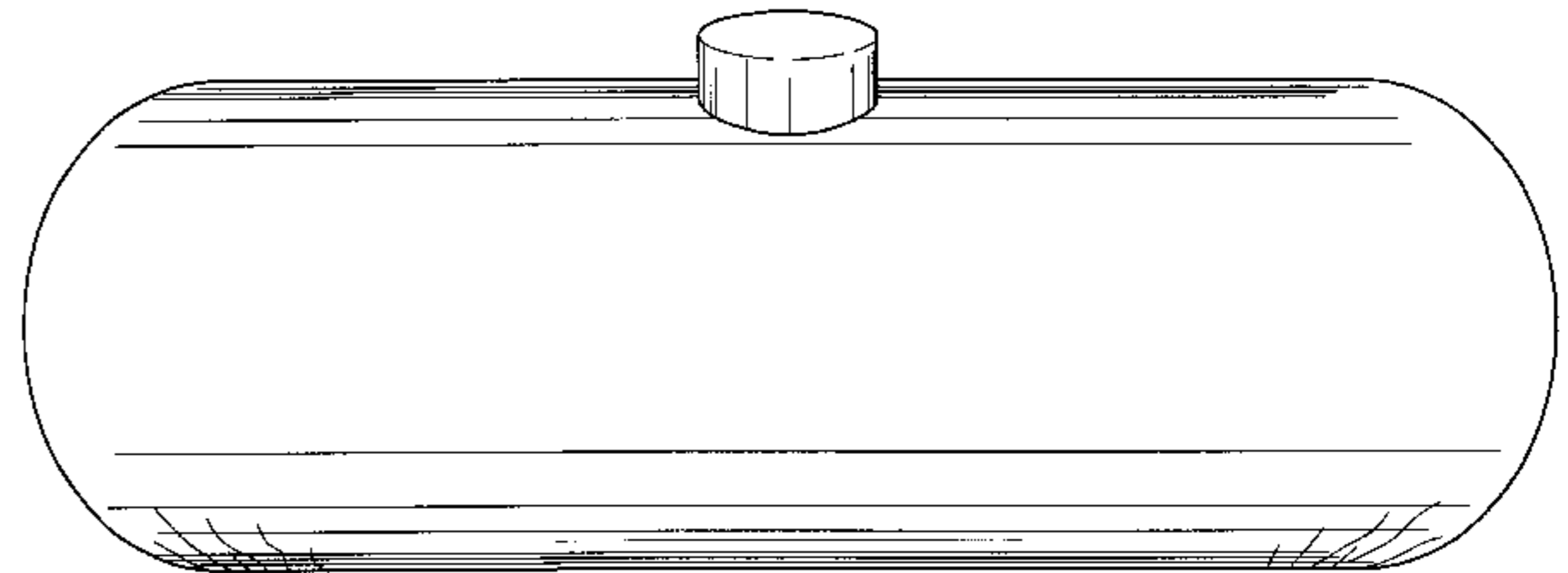
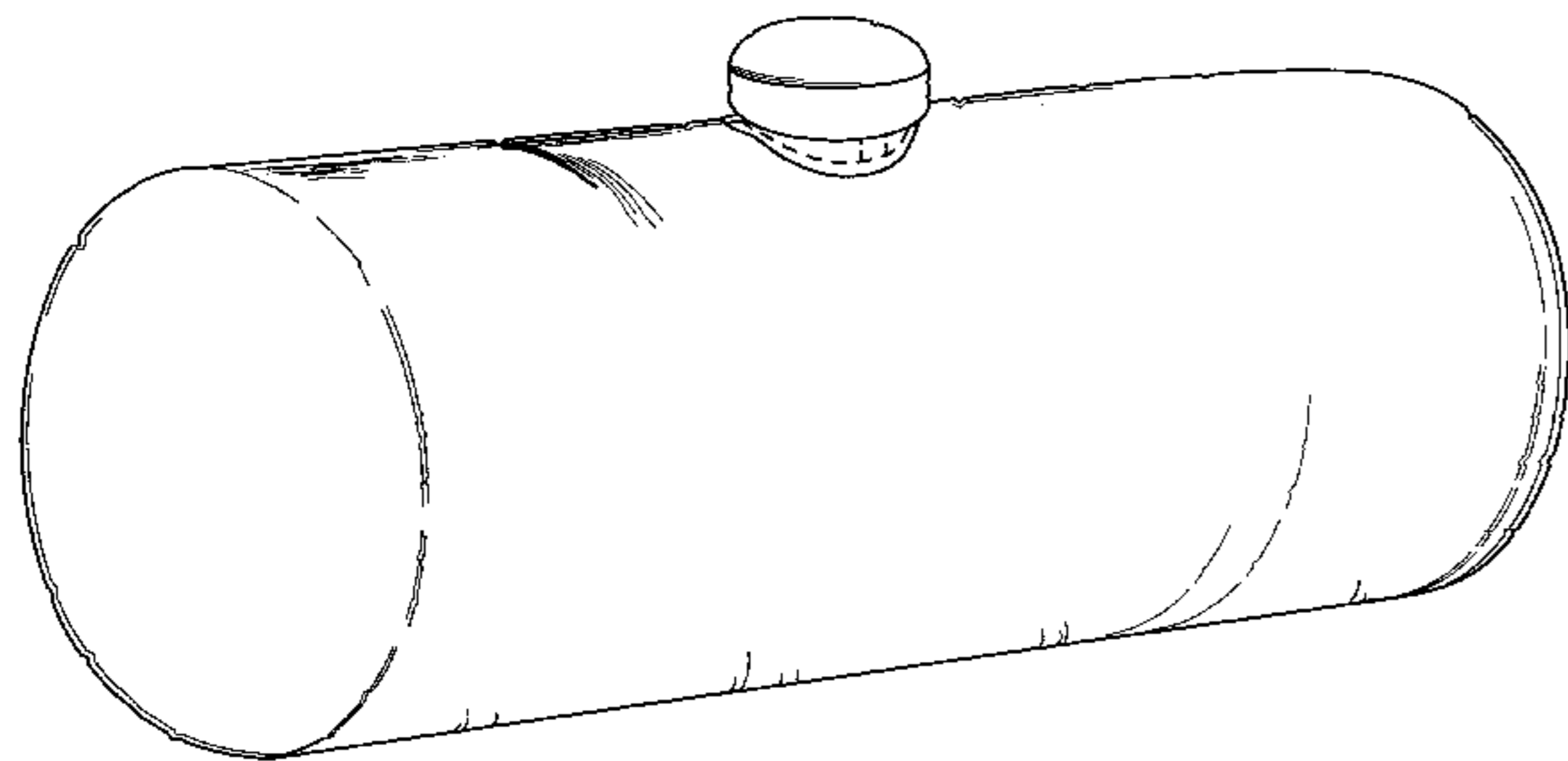
FIG. 2 is a front and back view of a second embodiment of a one piece tank cover in accordance with the present invention;

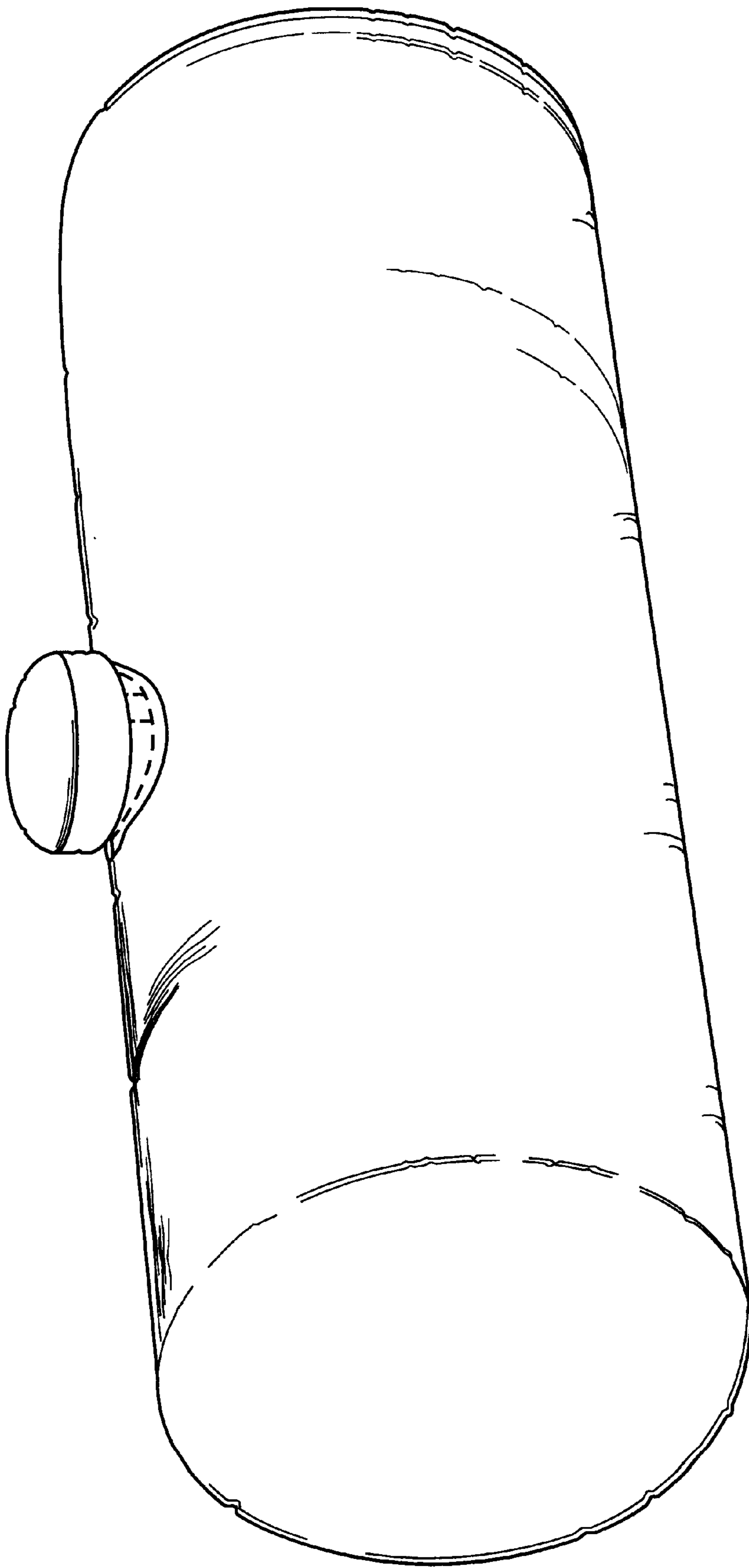
FIG. 3 is a right and left side view of the first and second embodiments of the tank cover in accordance with the present invention;

FIG. 4 is a top view of the first and second embodiments of the tank cover in accordance with the present invention; and, FIG. 5 is a bottom view of the first and second embodiments of the tank cover in accordance with the present invention.

The broken line showing in FIG. 1, is for illustrative purposes only and forms no part of the claimed design.

**1 Claim, 5 Drawing Sheets**





**FIG. 1**

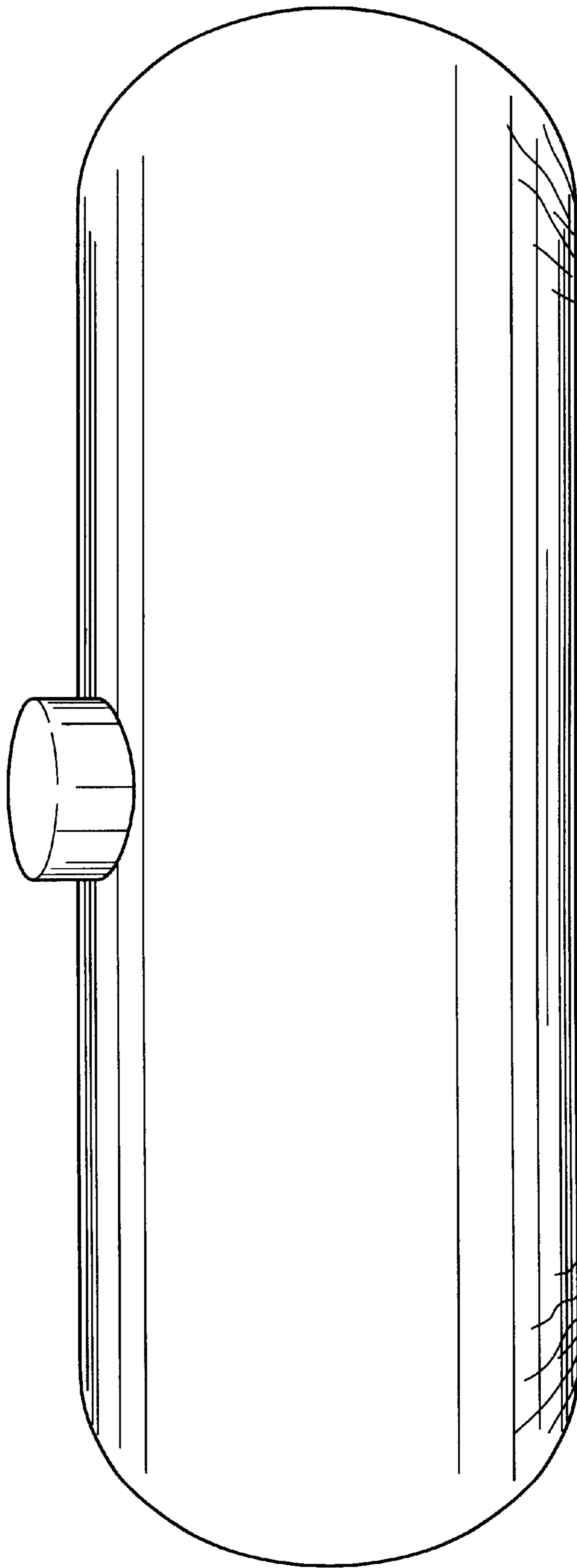
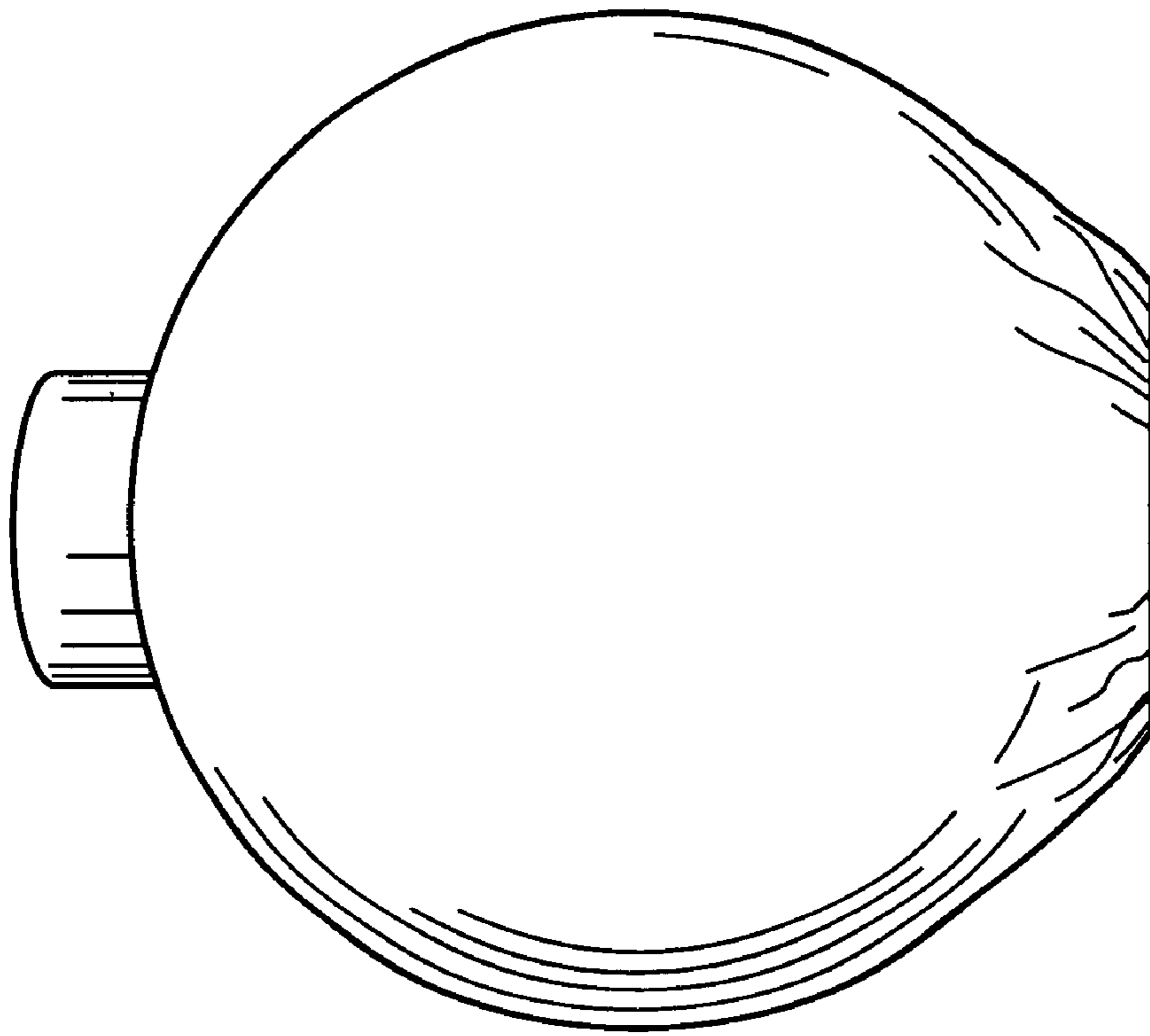
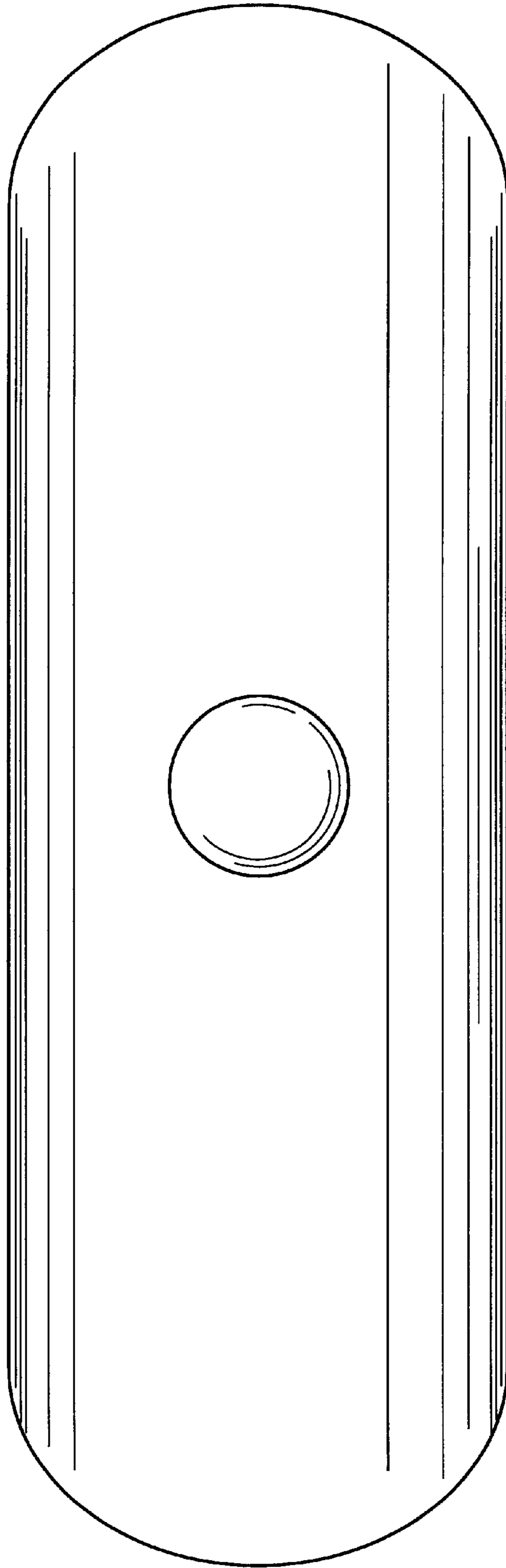


FIG. 2



**FIG. 3**



**FIG. 4**

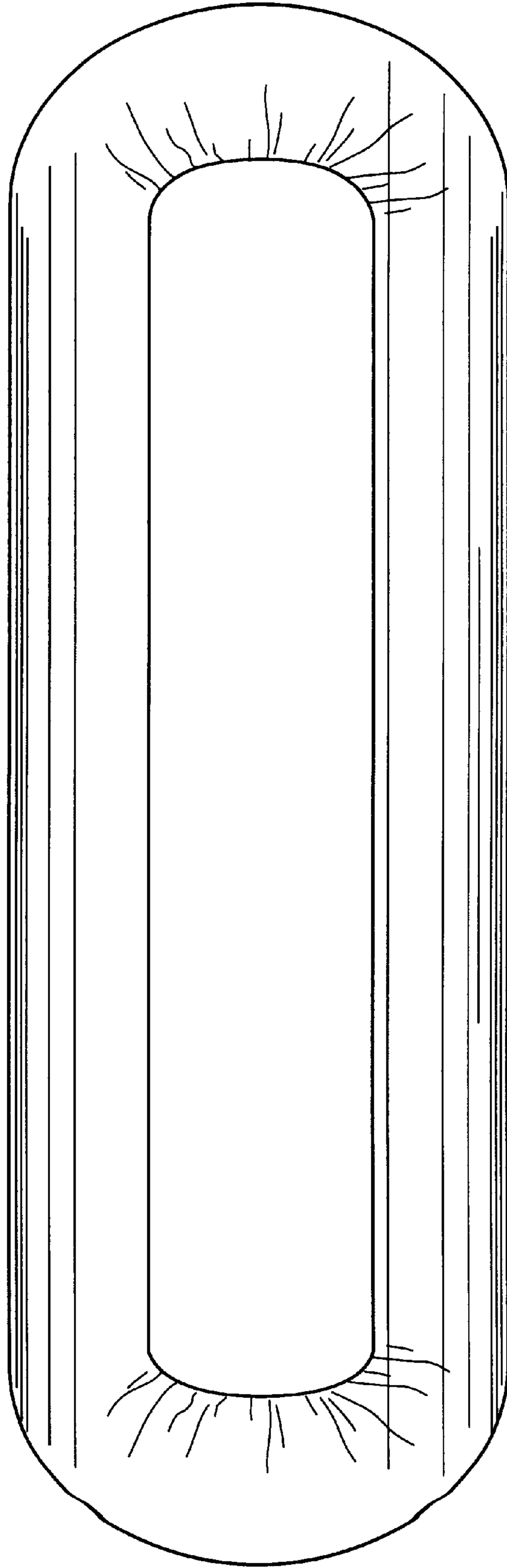


FIG. 5