



US00D460144S

(12) **United States Design Patent**
Huy, Jr.

(10) **Patent No.:** **US D460,144 S**

(45) **Date of Patent:** **** Jul. 9, 2002**

(54) **SPRING-LOADED FISHING ROD HOLDER**

(76) Inventor: **Andrew E. Huy, Jr.**, 2663 Impala Dr.,
Cincinnati, OH (US) 45231-1637

(**) Term: **14 Years**

(21) Appl. No.: **29/146,183**

(22) Filed: **Aug. 6, 2001**

(51) **LOC (7) Cl.** **22-05**

(52) **U.S. Cl.** **D22/147**

(58) **Field of Search** D22/147; 43/15,
43/16, 17, 21.2; 248/538, 515

(56) **References Cited**

U.S. PATENT DOCUMENTS

748,884 A *	1/1904	Reichardt	43/15
1,025,657 A	5/1912	Towne	43/21.2
2,461,356 A *	2/1949	Sus et al.	43/16
2,642,690 A *	6/1953	Soenksen	43/15
3,977,117 A *	8/1976	Zahner	43/15
4,112,607 A	9/1978	Scher	43/17

4,471,553 A	9/1984	Copeland	43/15
4,637,156 A	1/1987	Simmons	43/21.2
D352,543 S	11/1994	Venable	D22/147
5,365,689 A	11/1994	Holliman	43/21.2

* cited by examiner

Primary Examiner—Catherine R. Oliver

(74) *Attorney, Agent, or Firm*—Donald R. Schoonover

(57) **CLAIM**

The ornamental design for a spring-loaded fishing rod holder, as shown and described.

DESCRIPTION

FIG. 1 is a perspective view of the spring-loaded fishing rod holder embodying the design of the present invention.

FIG. 2 is a front elevational view thereof;

FIG. 3 is a rear elevational view thereof;

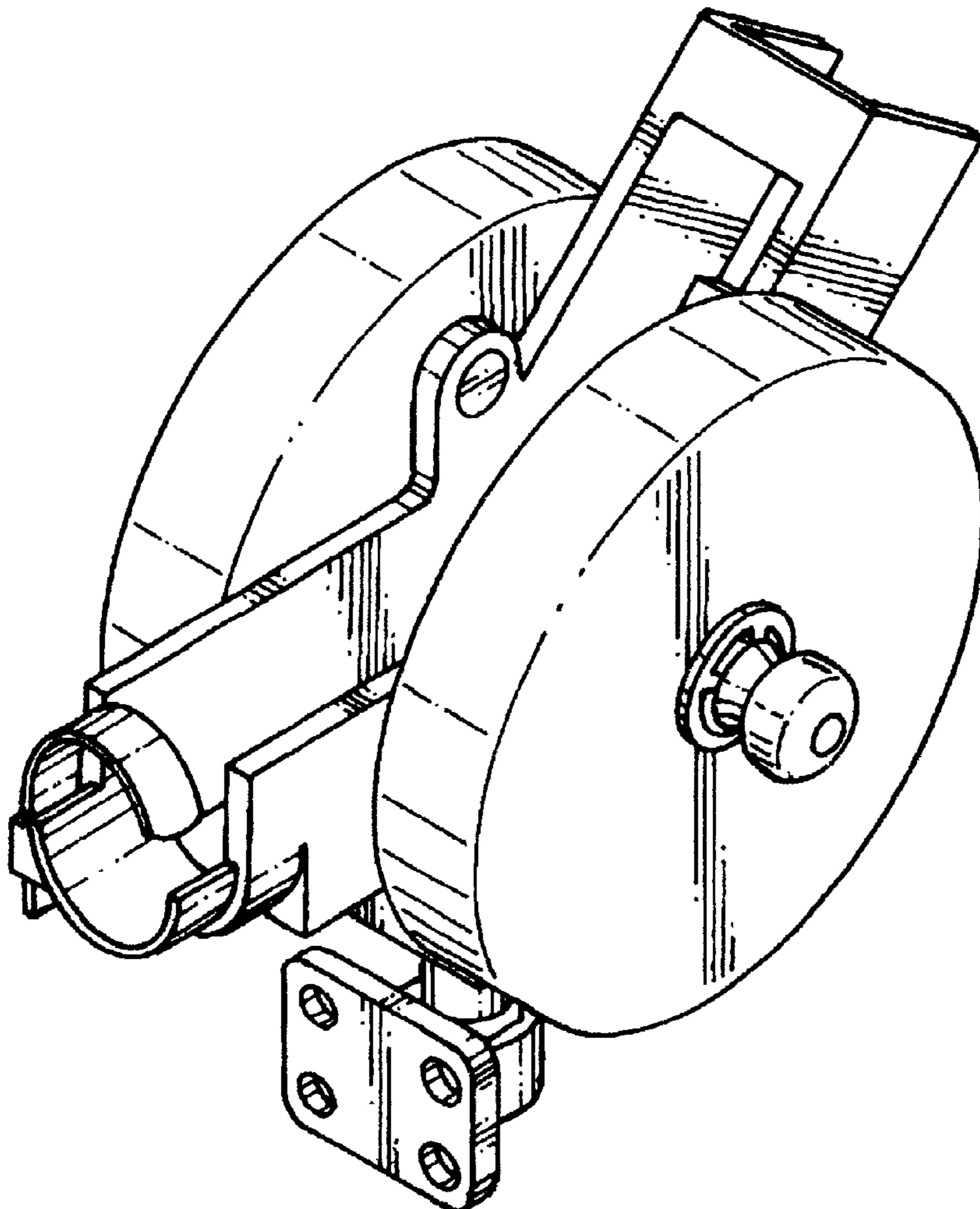
FIG. 4 is a right side elevational view thereof;

FIG. 5 is a left side elevational view thereof;

FIG. 6 is a top plan view thereof; and,

FIG. 7 is a bottom plan view thereof.

1 Claim, 4 Drawing Sheets



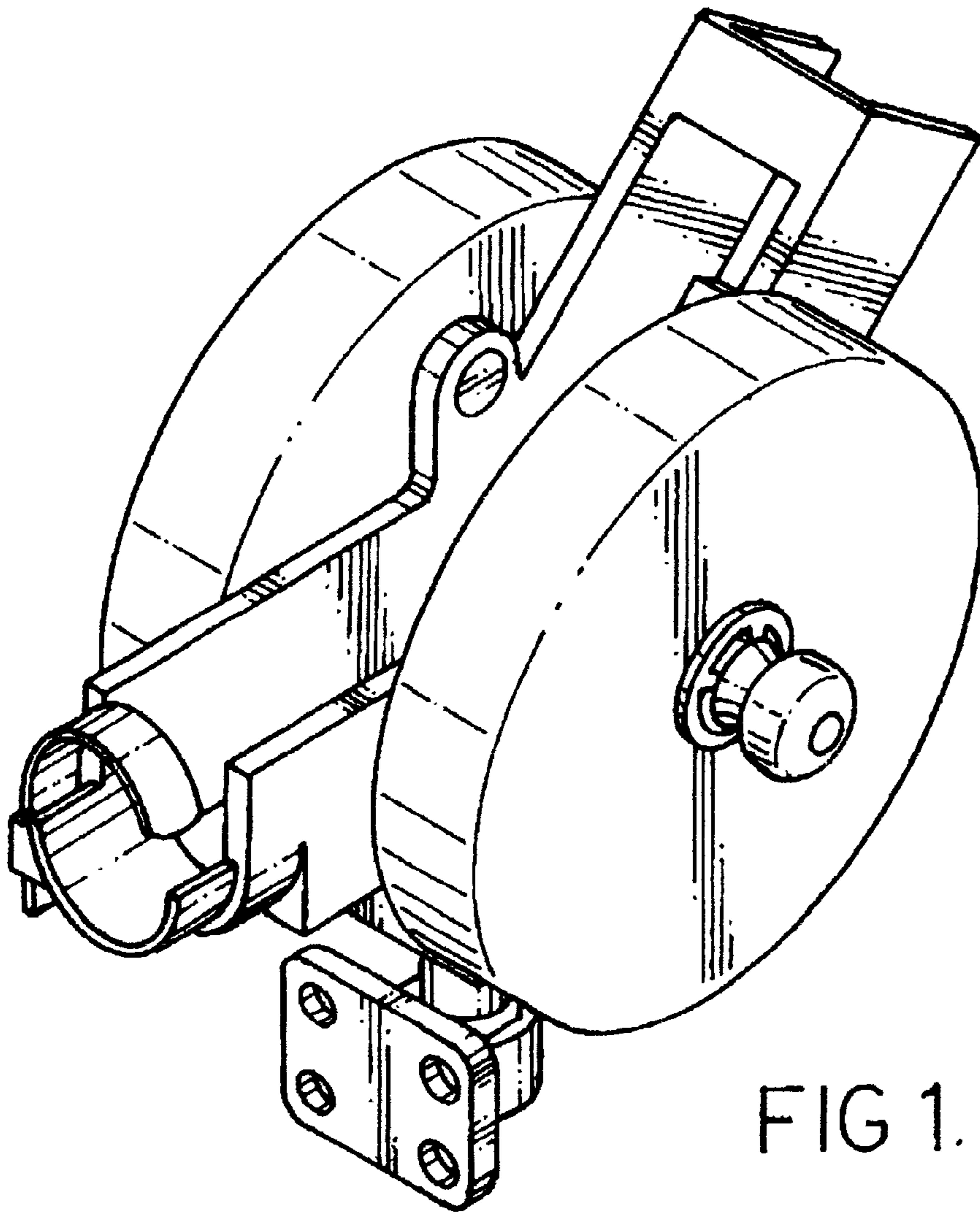


FIG 1.

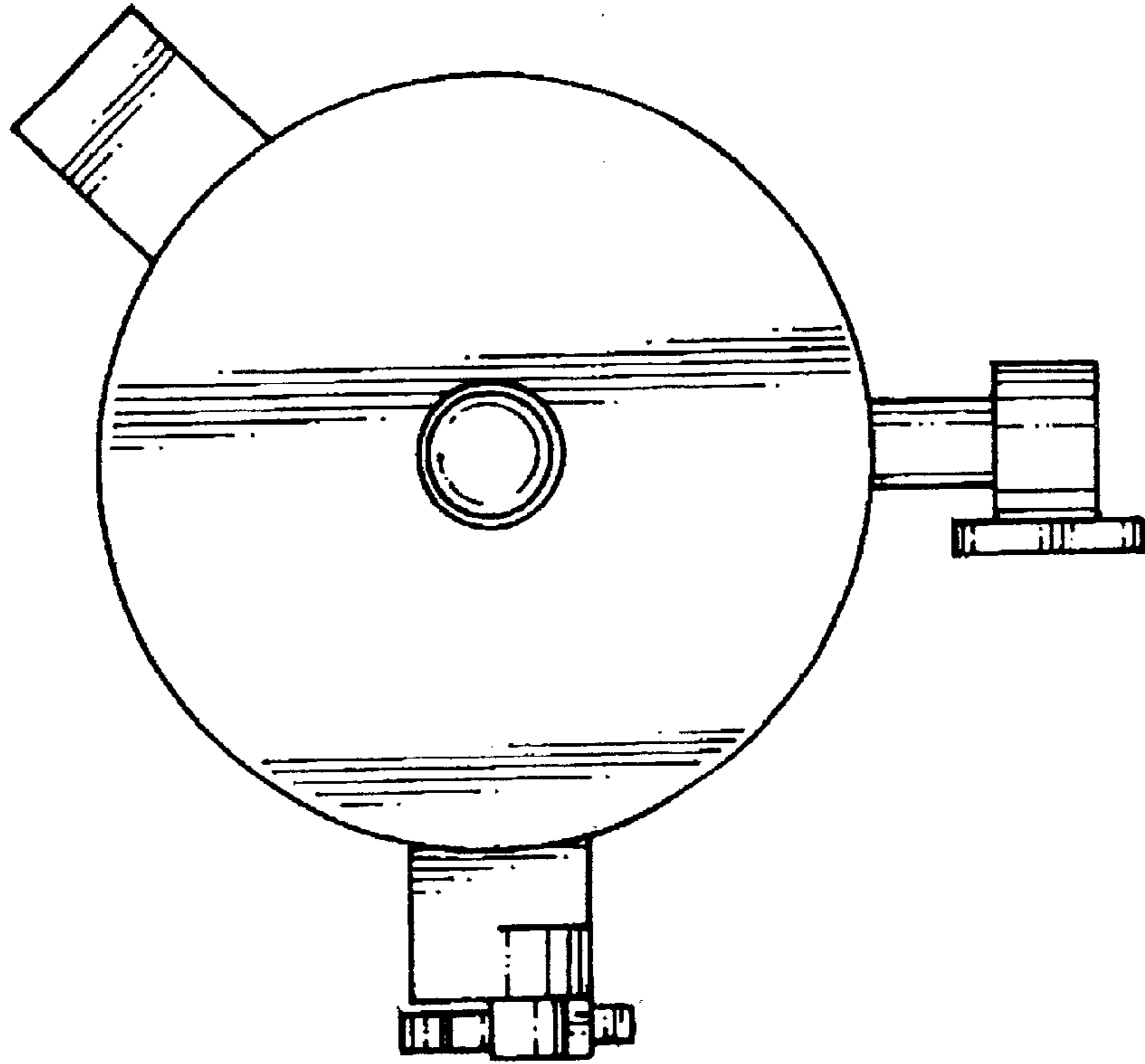


FIG. 4.

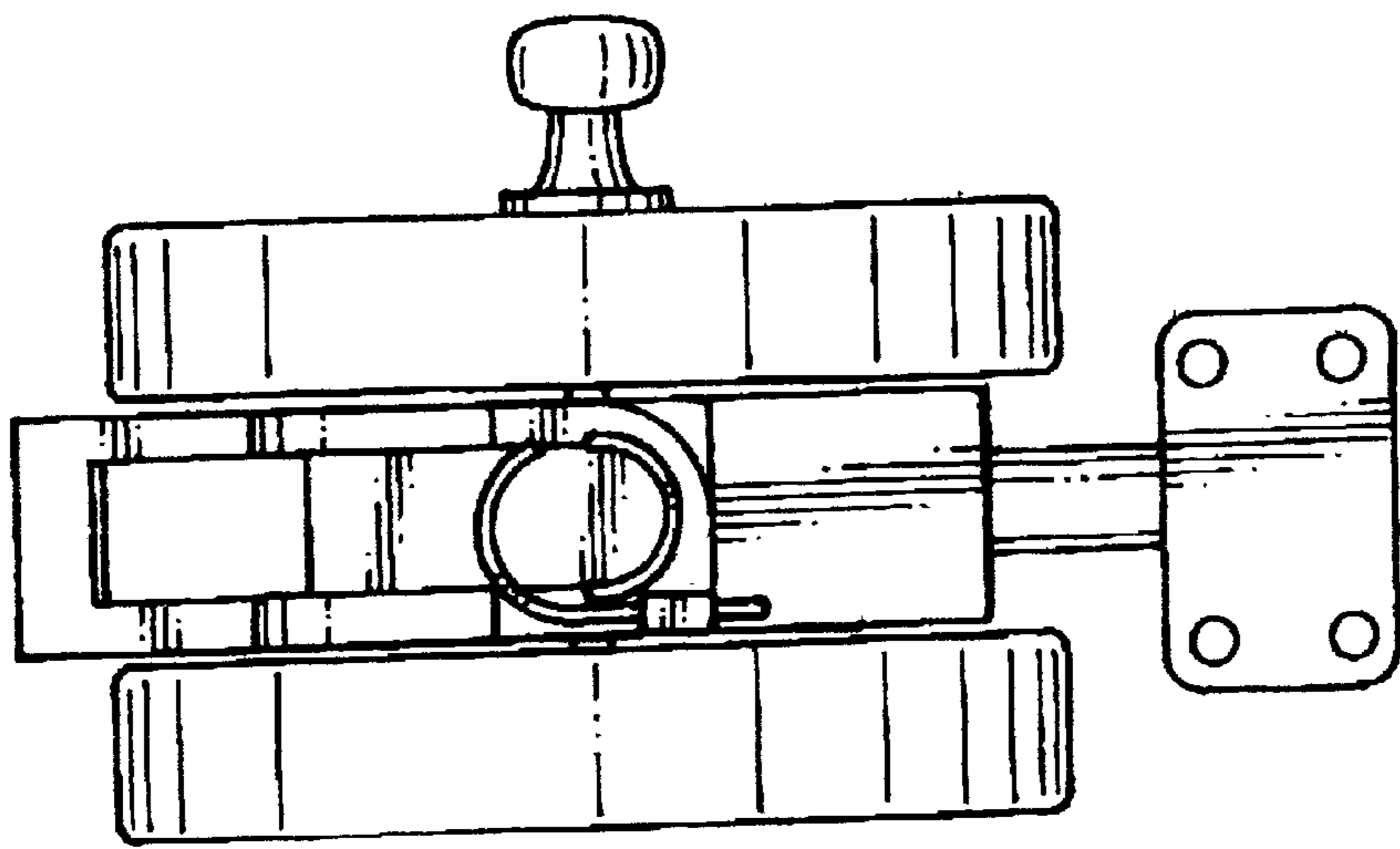


FIG. 2.

FIG. 7.

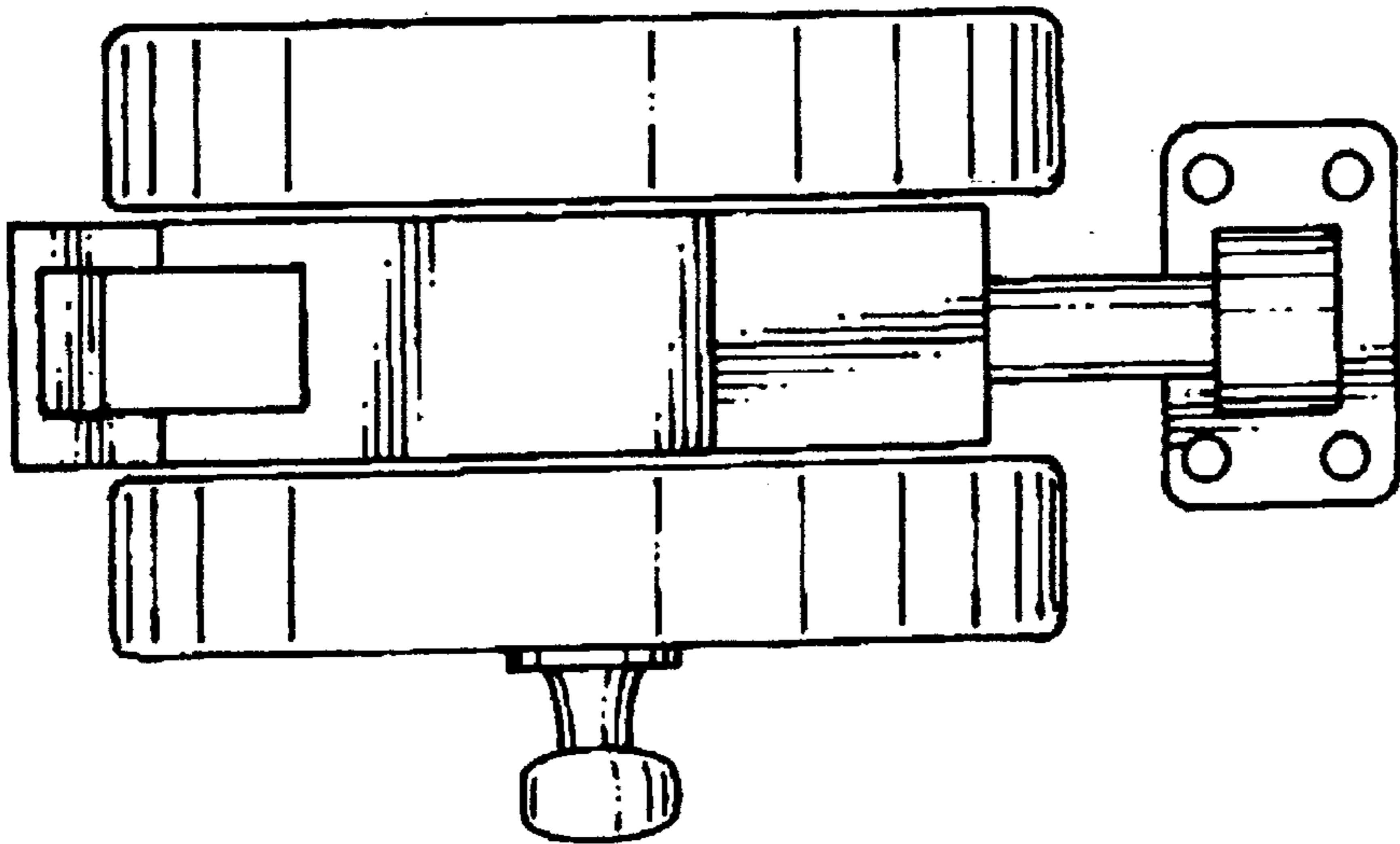
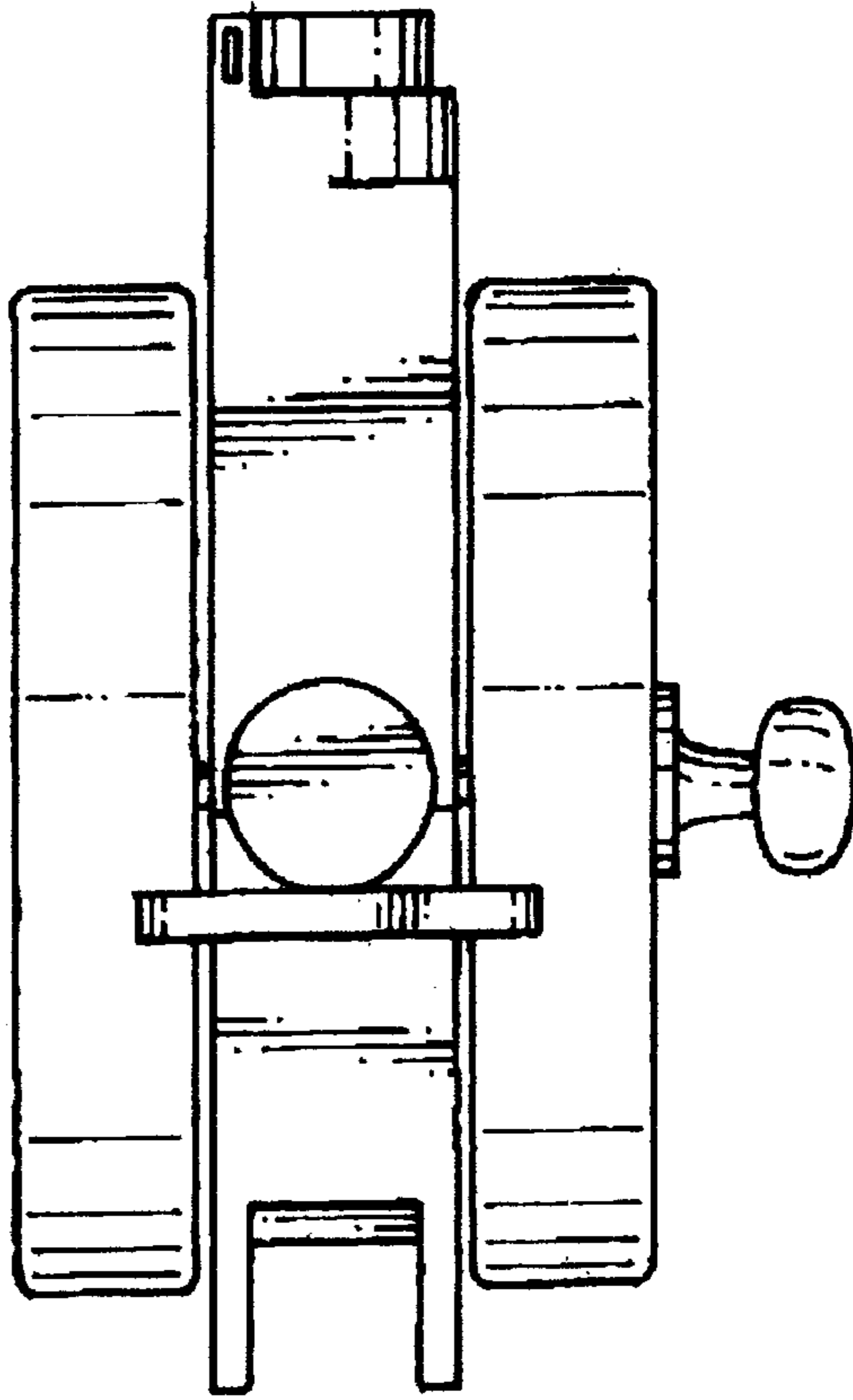


FIG. 3.

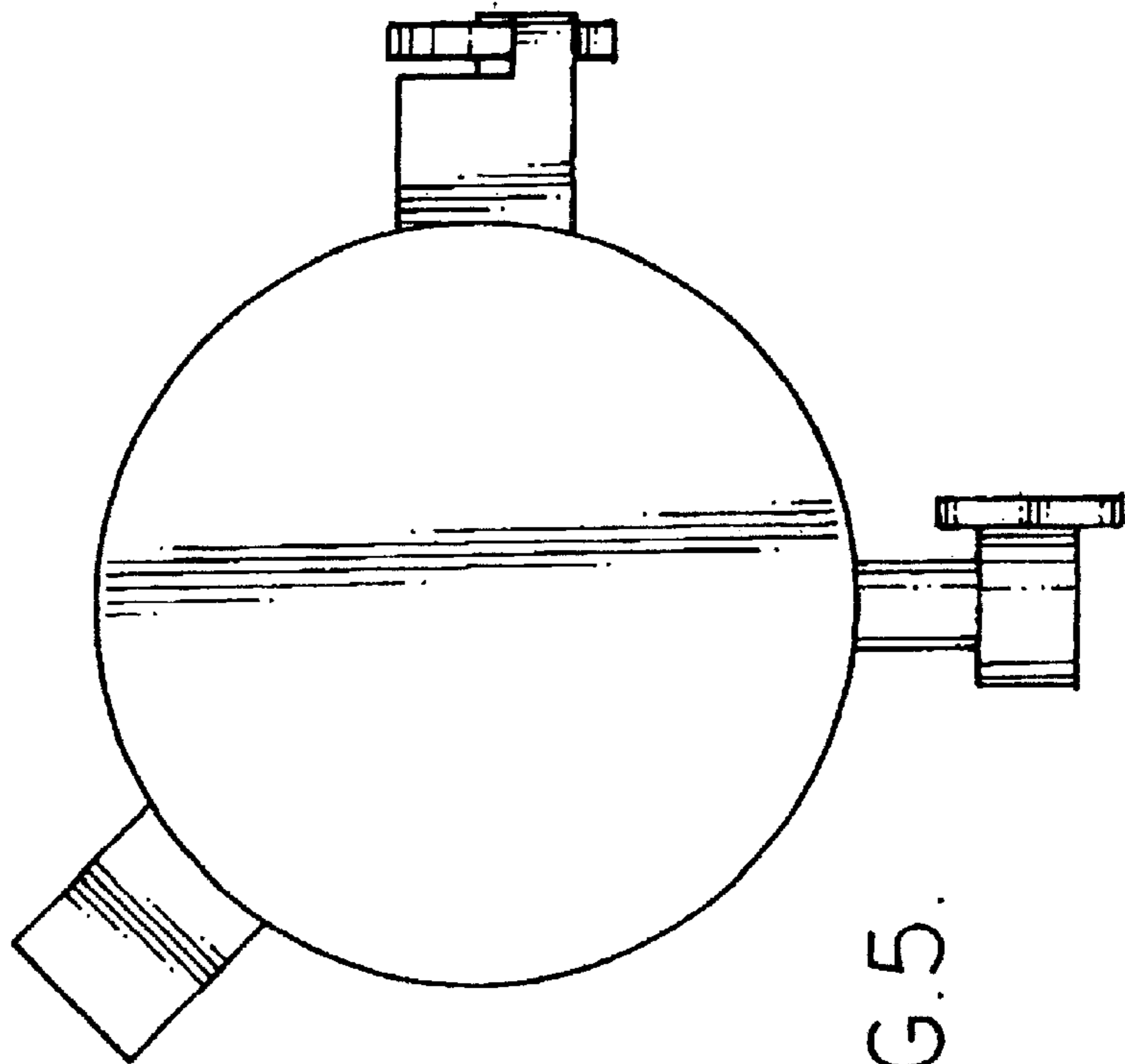


FIG. 5.

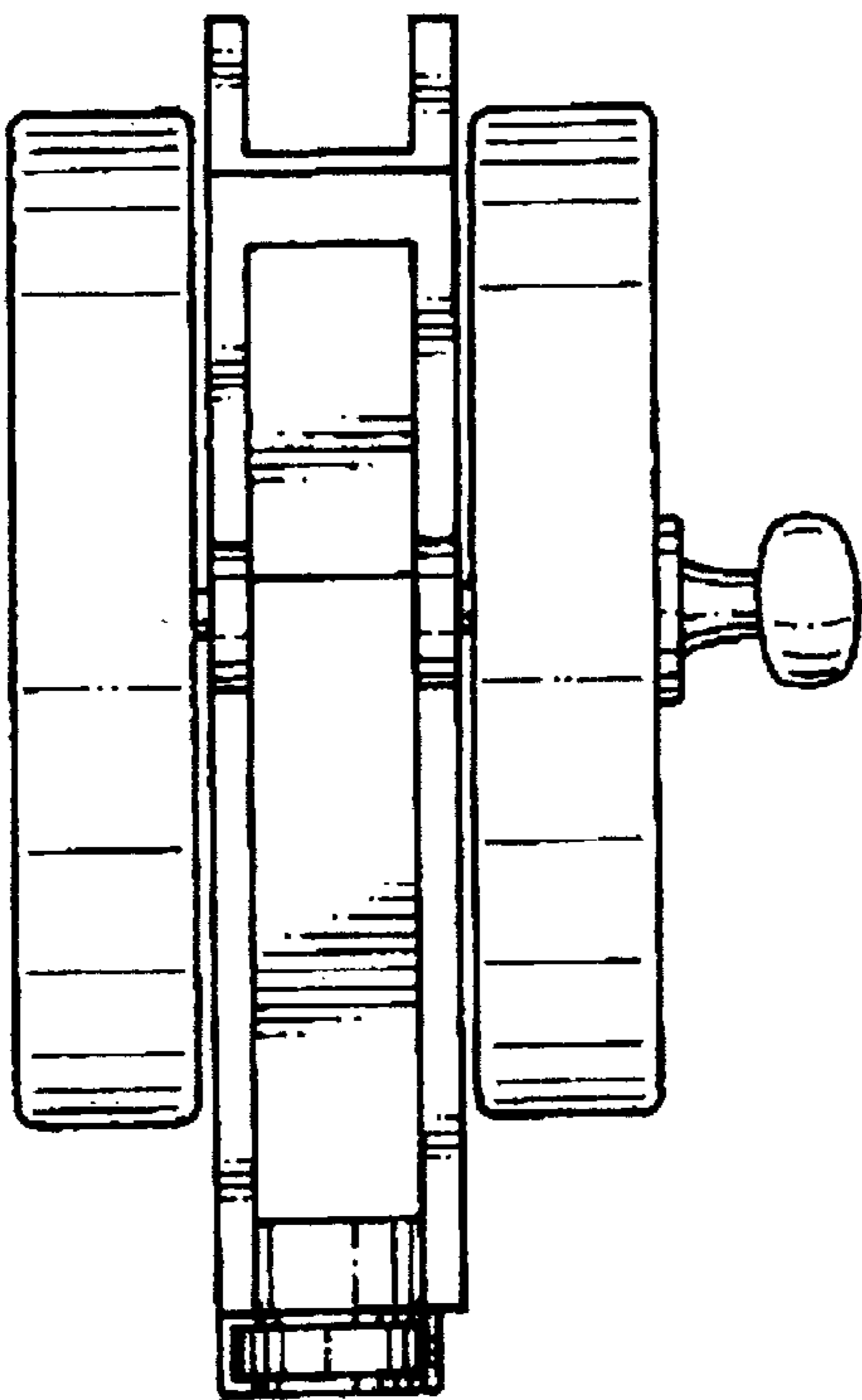


FIG. 6.