



US00D460141S

(12) **United States Design Patent**
Gourchounian

(10) **Patent No.:** **US D460,141 S**

(45) **Date of Patent:** **** Jul. 9, 2002**

(54) **INFLATBLE SLIDE**

(75) **Inventor:** **Rouben Gourchounian**, Los Angeles, CA (US)

(73) **Assignee:** **Ninja Jump, Inc.**, Los Angeles, CA (US)

(**) **Term:** **14 Years**

(21) **Appl. No.:** **29/128,486**

(22) **Filed:** **Aug. 25, 2000**

(51) **LOC (7) Cl.** **21-03**

(52) **U.S. Cl.** **D21/820; D21/835**

(58) **Field of Search** D21/814, 818,
D21/822, 835, 839; 472/116, 117; 482/35,
36

(56) **References Cited**

U.S. PATENT DOCUMENTS

5,004,633	A	4/1991	Lovik	428/9
D328,326	S	* 7/1992	Kuan	D21/818
5,131,830	A	7/1992	Nesbit et al.	446/180
D330,742	S	11/1992	Matsch	D21/242
D340,965	S	* 11/1993	Lee	D21/818
D344,121	S	2/1994	Warren	D21/240
5,462,505	A	10/1995	Blair et al.	482/27
5,471,797	A	12/1995	Murphy	52/2.17
5,512,002	A	4/1996	Lieberman	446/221
D382,618	S	8/1997	Gift	D21/240
5,678,357	A	10/1997	Rubio et al.	52/2.17
D389,217	S	1/1998	Rubio et al.	D21/242
D389,219	S	* 1/1998	Liu	D21/839
D390,905	S	2/1998	Eldon et al.	D21/240
D393,686	S	4/1998	Coddington, Jr. et al.	D21/240
D394,474	S	5/1998	Horne	D21/253
D396,087	S	7/1998	Liu	D21/253
D417,481	S	12/1999	Schwartz et al.	D21/836
D422,667	S	* 4/2000	Lau	D21/814
D440,622	S	* 4/2001	Gourchounian	D21/820
D441,416	S	* 5/2001	Gourchounian	D21/820

OTHER PUBLICATIONS

Rouben Gourchounian, Dragon Inflatable, Jun. 21, 1995.
Rouben Gourchounian, Castle Inflatable Jumper, Jun. 21, 1995.

Rouben Gourchounian, Lion Inflatable Jumper, Jun. 8, 1995.
Rouben Gourchounian, Dinosaur Inflatable Jumper, Feb. 28, 1999.
Rouben Gourchounian, Clown Inflatable Jumper, Mar. 20, 1996.
Rouben Gourchounian, Giraffe Inflatable Jumper, May 14, 1996.
Rouben Gourchounian, Honey Bear Inflatable Jumper, Dec. 18, 1996.
Rouben Gourchounian, Rockets Inflatable Jumper, Oct. 6, 1997.
Rouben Gourchounian, Sports Arena Inflatable Jumper, Jan. 21, 1998.
Rouben Gourchounian, Dalmation Inflatable Jumper, Apr. 30, 1997.
Rouben Gourchounian, Sea World Inflatable Jumper, May 27, 1998.
Rouben Gourchounian, Cake Inflatable Jumper, Mar. 16, 1998.
Rouben Gourchounian, School Bus Inflatable Jumper, Dec. 22, 1998.
Rouben Gourchounian, Circus Inflatable Jumper, Dec. 30, 1998.
Rouben Gourchounian, Robo Ranger Inflatable Jumper, Mar. 19, 1996.

* cited by examiner

Primary Examiner—Mitchell Siegel

(74) *Attorney, Agent, or Firm*—Jeffer, Mangels, Butler & Marmaro, LLP

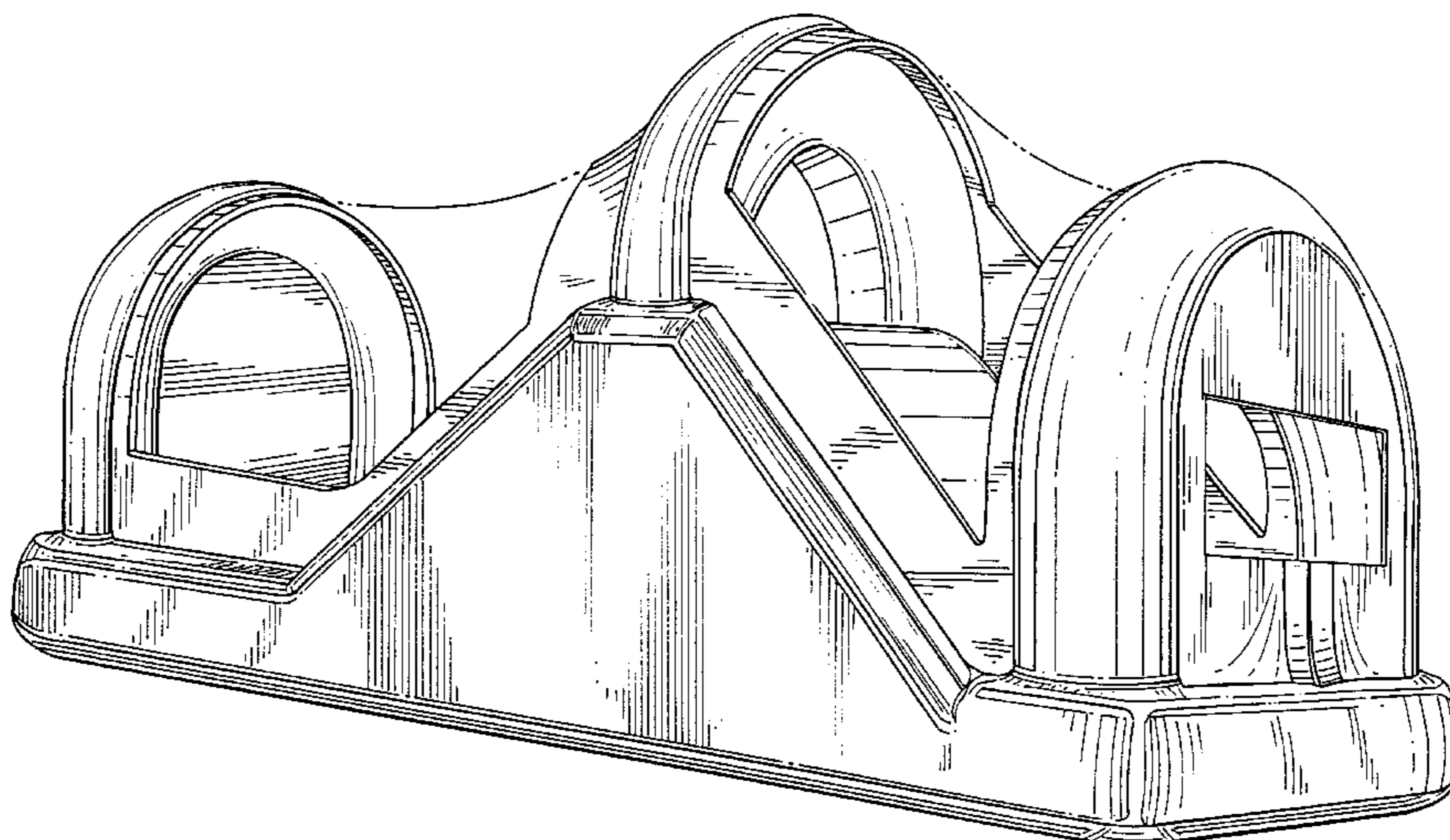
(57) **CLAIM**

The ornamental design for an inflatable slide, as shown and described.

DESCRIPTION

FIG. 1 is a perspective view of the inflatable slide.
FIG. 2 is a left side elevational view of the inflatable slide with the right side elevational view being a mirror reflection of the left side elevational view.
FIG. 3 is a front elevational view of the inflatable slide.
FIG. 4 is a rear elevational view of the inflatable slide; and,
FIG. 5 is a top plan view of the inflatable slide.

1 Claim, 4 Drawing Sheets



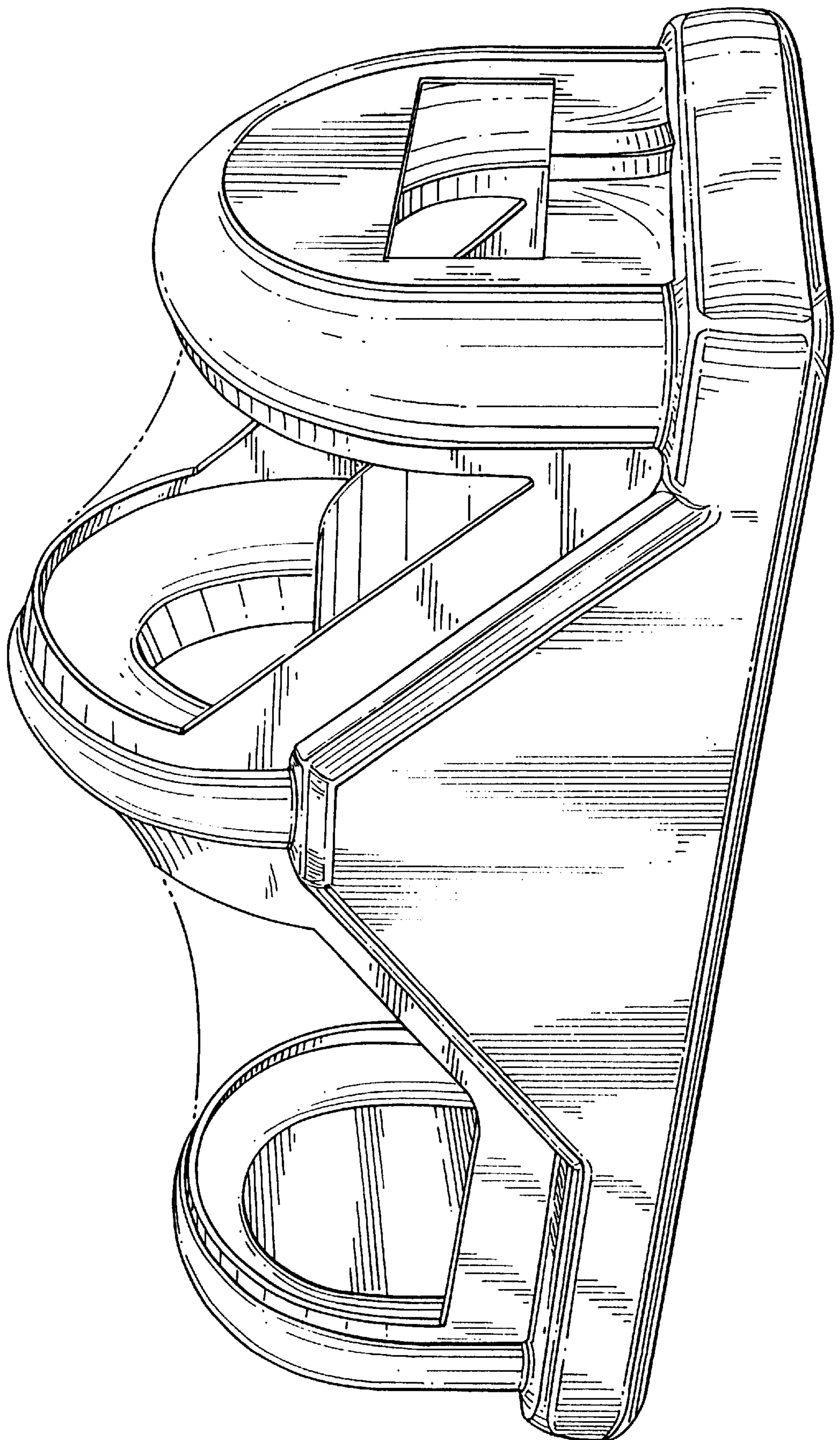


FIG. 1

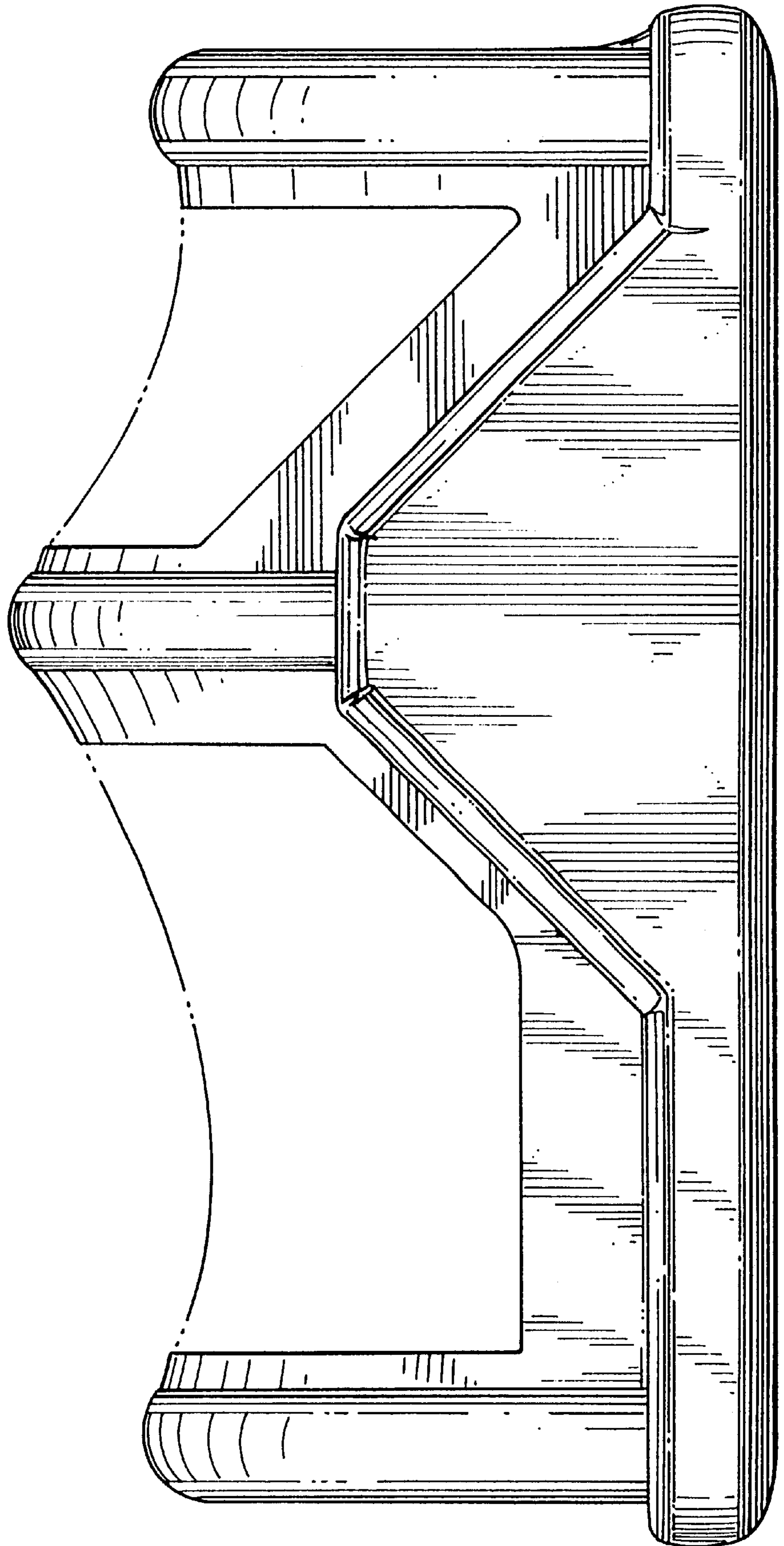


FIG. 2

FIG. 4

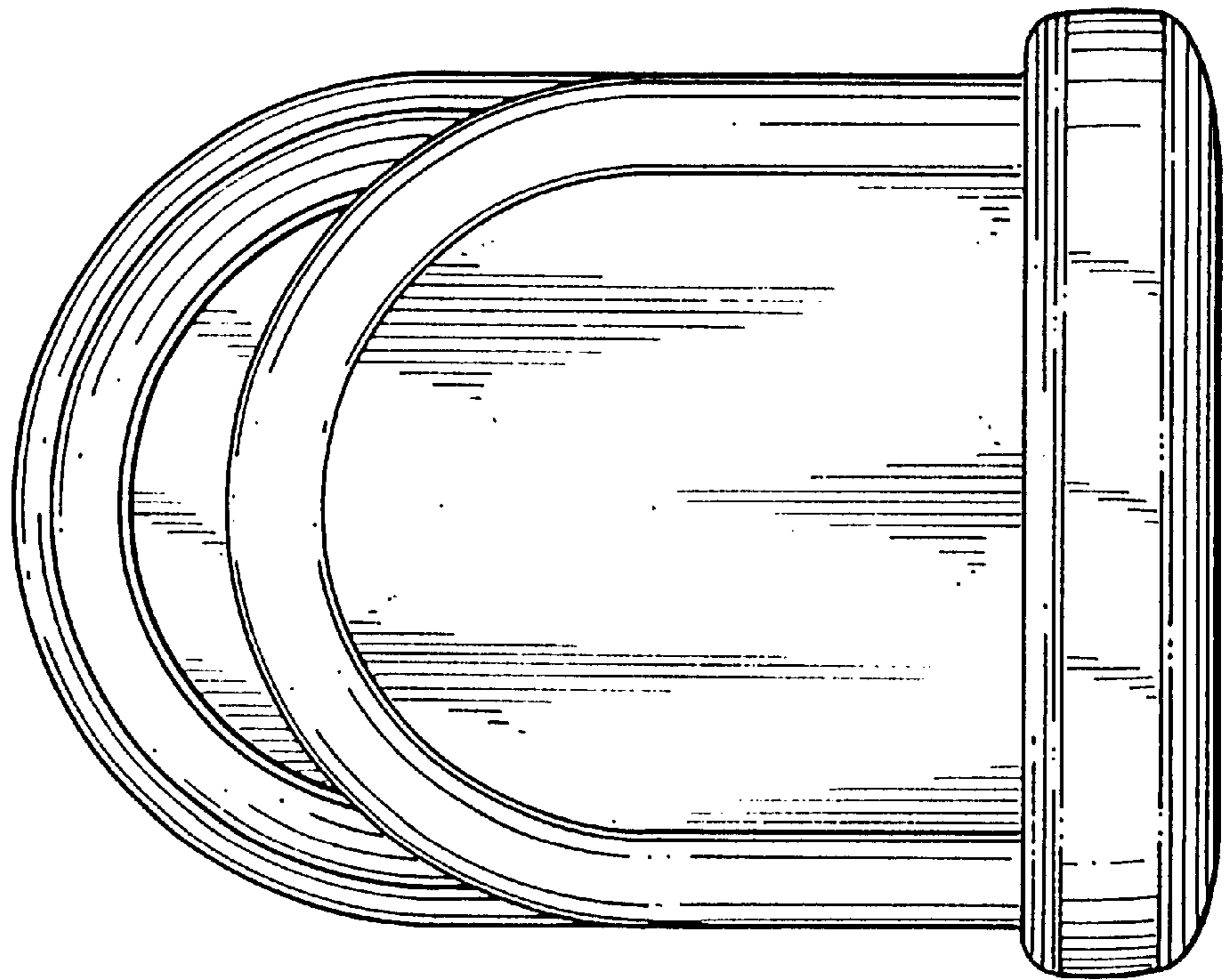


FIG. 3

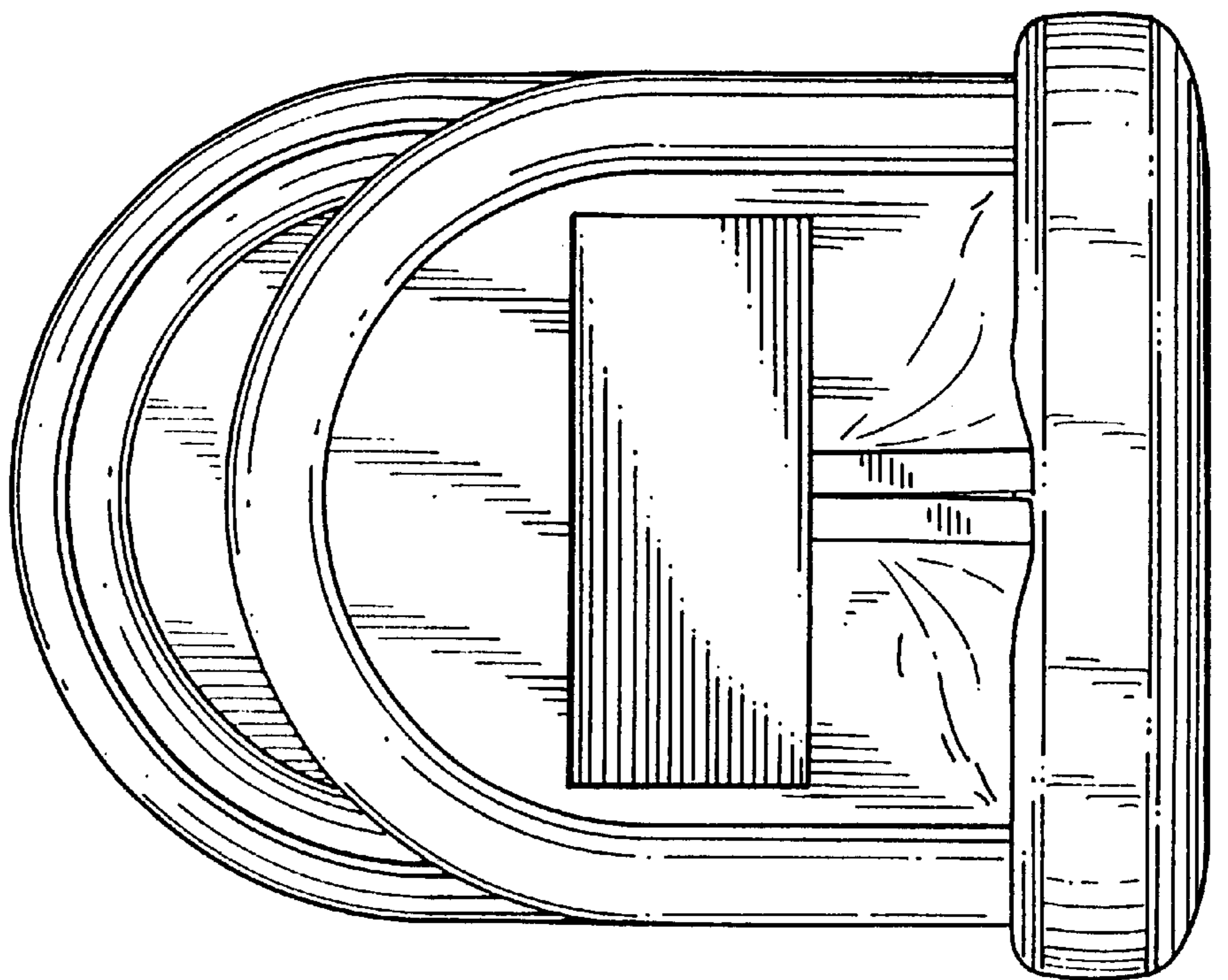


FIG. 5

