



US00D460140S

(12) **United States Design Patent**
Allshouse et al.

(10) **Patent No.:** **US D460,140 S**

(45) **Date of Patent:** **** Jul. 9, 2002**

(54) **TABLE TENNIS PEDESTAL**

D425,568 S * 5/2000 Muraki et al. D21/799.2
D452,783 S * 1/2002 Hecht et al. D6/495

(75) Inventors: **James R. Allshouse**, Newburgh; **David Lee Julian**, Evansville, both of IN (US)

* cited by examiner

(73) Assignee: **Indian Industries, Inc.**, Evansville, IN (US)

Primary Examiner—Dominic Simone

(74) *Attorney, Agent, or Firm*—Woodard, Emhardt, Naughton, Moriarty & McNett

(**) Term: **14 Years**

(57) **CLAIM**

(21) Appl. No.: **29/143,659**

The ornamental design for table tennis pedestal, as shown and described.

(22) Filed: **Jun. 18, 2001**

(51) **LOC (7) Cl.** **21-02**

(52) **U.S. Cl.** **D21/799.2**

(58) **Field of Search** D21/799.2; D6/495; 473/475

DESCRIPTION

(56) **References Cited**

U.S. PATENT DOCUMENTS

D33,864 S	*	1/1901	Elliott	D6/495
2,111,339 A	*	3/1938	Squires	473/475
D209,522 S	*	12/1967	Hart	D6/495
D366,791 S	*	2/1996	Grosfillex	D6/495
D415,637 S	*	10/1999	Goble	D6/495

FIG. 1 is an elevated perspective view of a preferred embodiment of the pedestal showing my new design; FIG. 2 is a front view of the preferred embodiment of FIG. 1; FIG. 3 is a rear view of the preferred embodiment of FIG. 1; FIG. 4 is a right side view thereof; FIG. 5 is a left side view thereof; FIG. 6 is a top view thereof; and, FIG. 7 is a bottom view thereof.

1 Claim, 6 Drawing Sheets



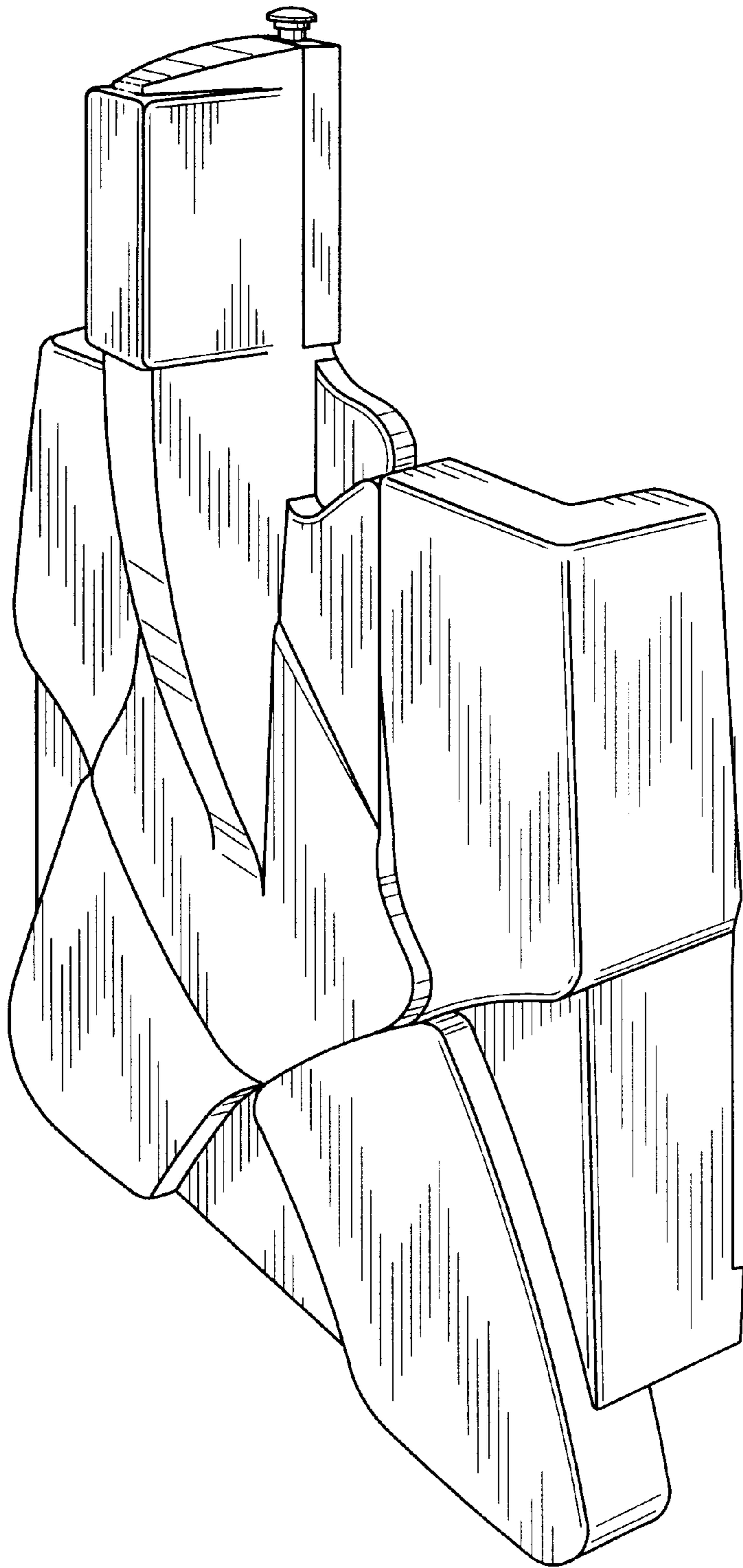


Fig. 1

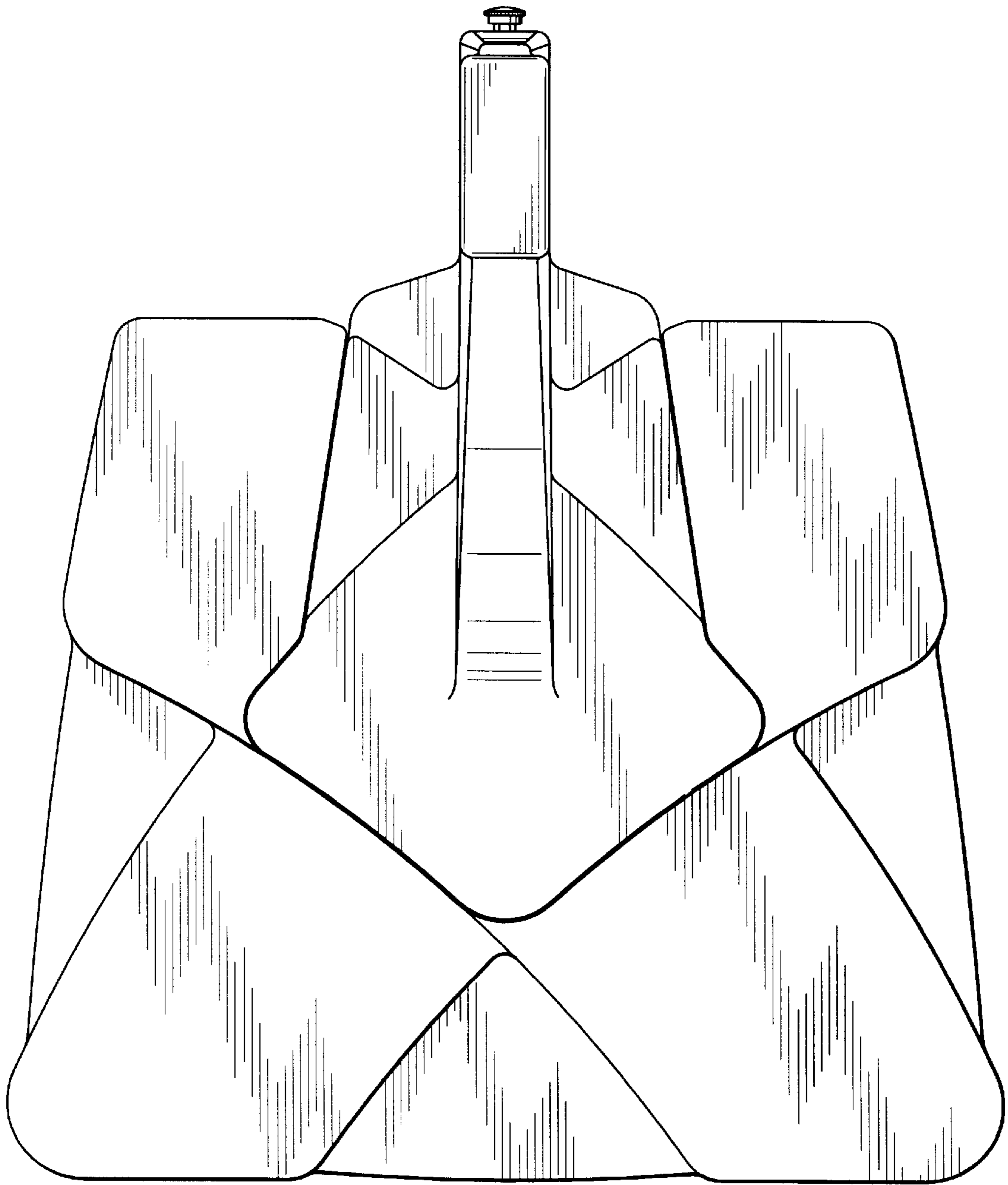


Fig. 2

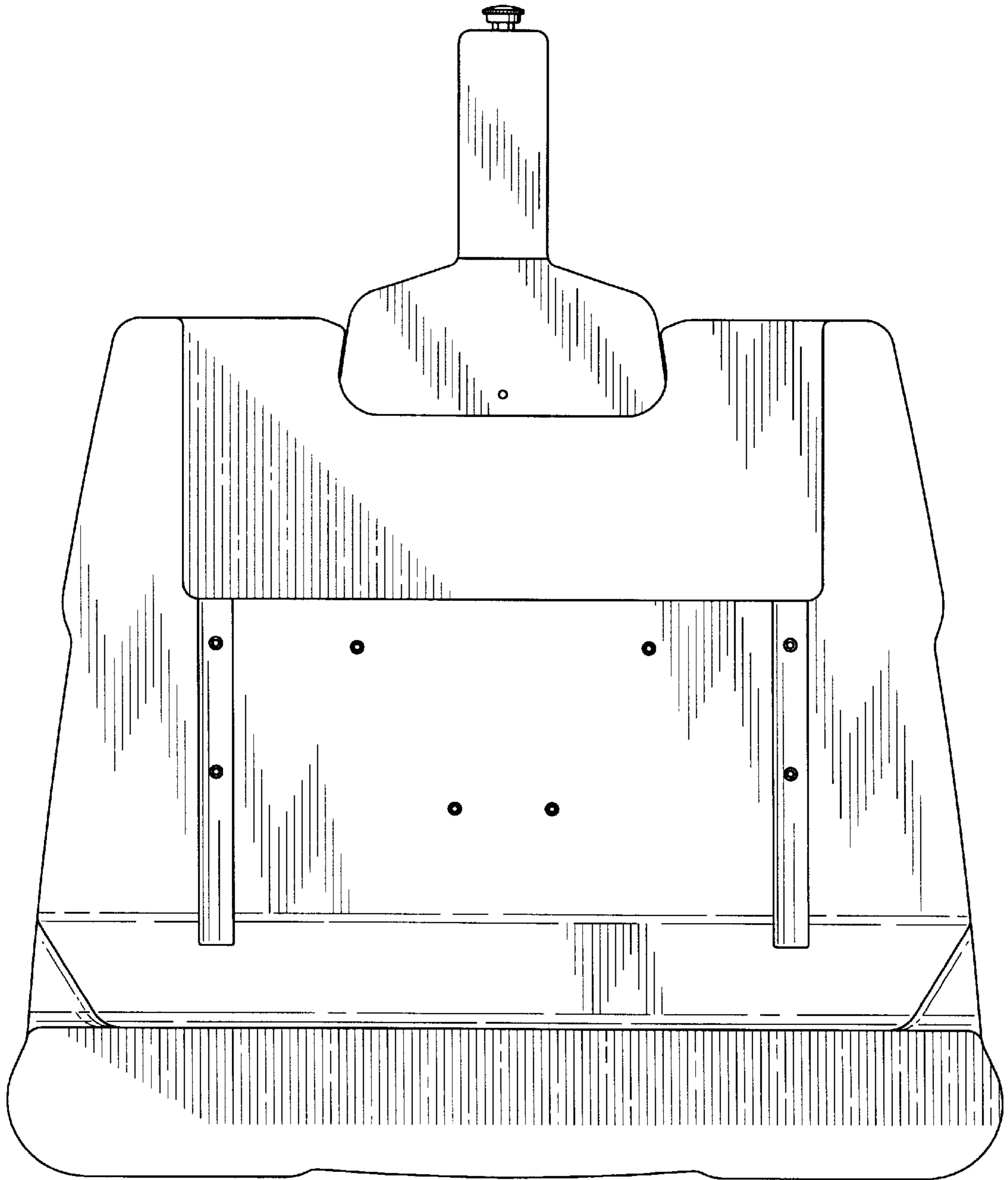


Fig. 3

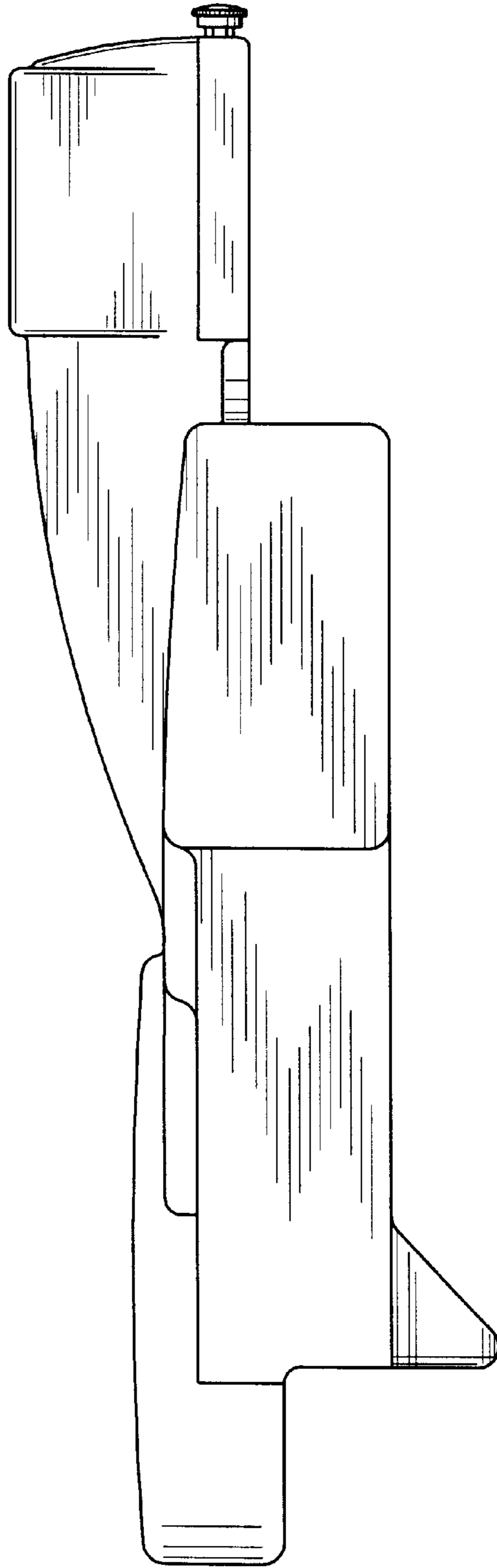


Fig. 4

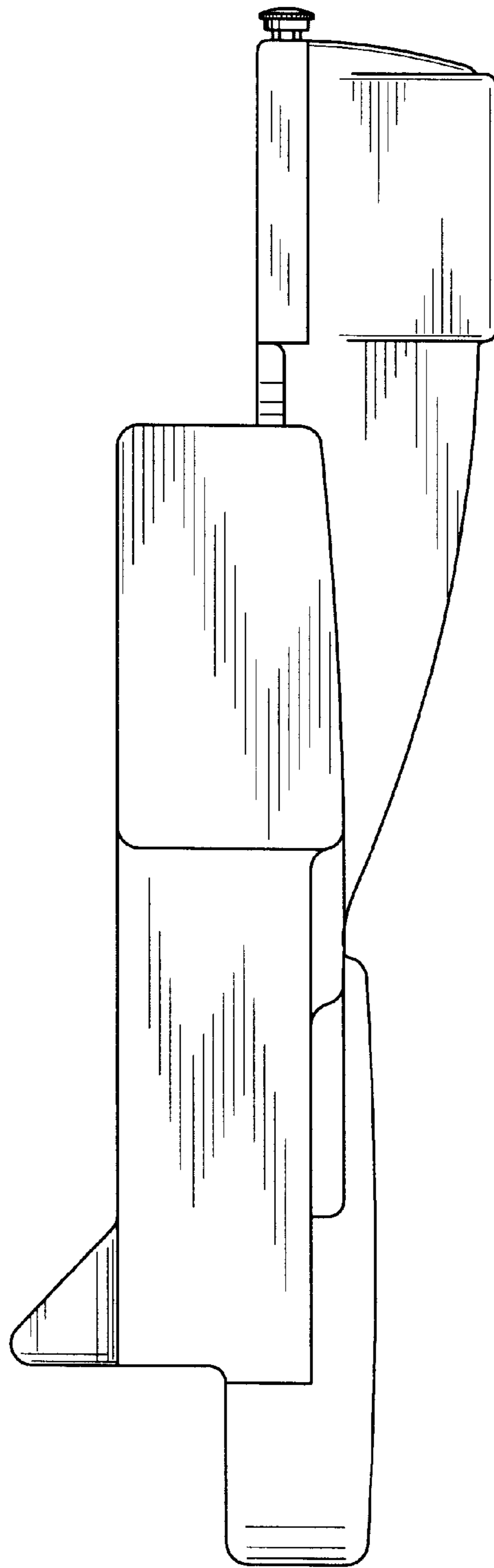


Fig. 5

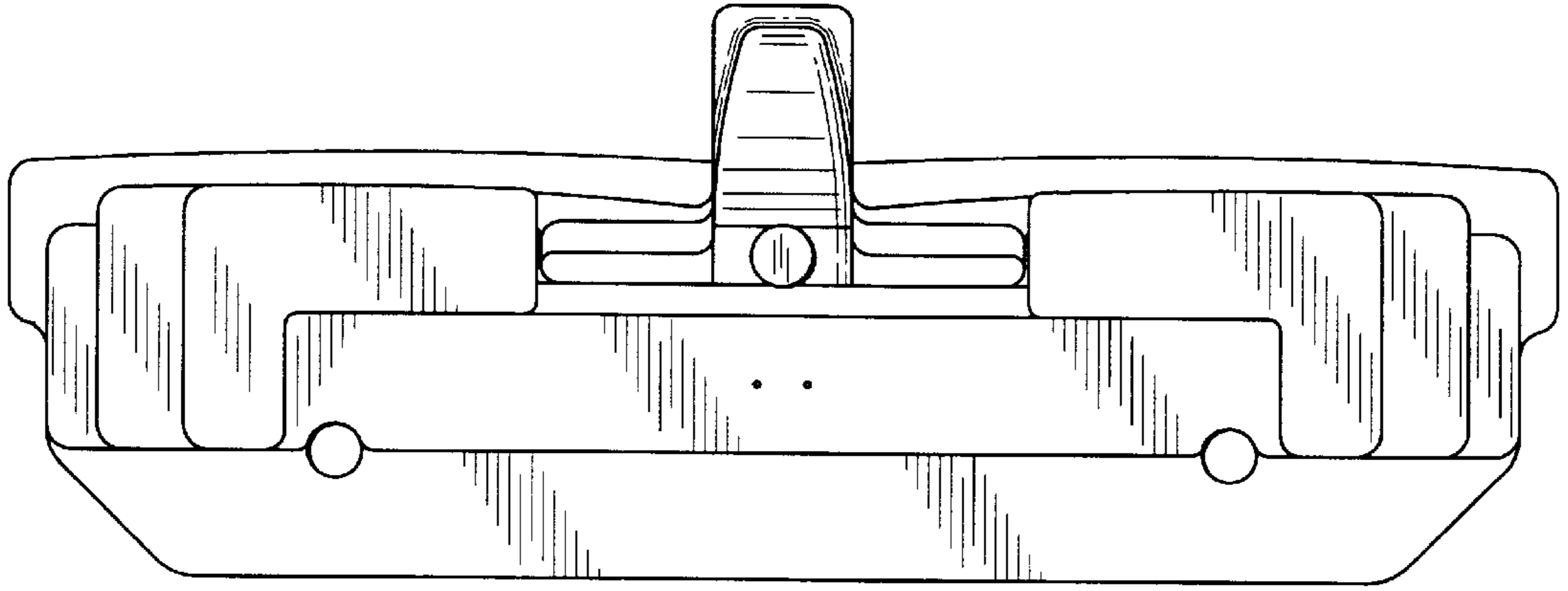


Fig. 6

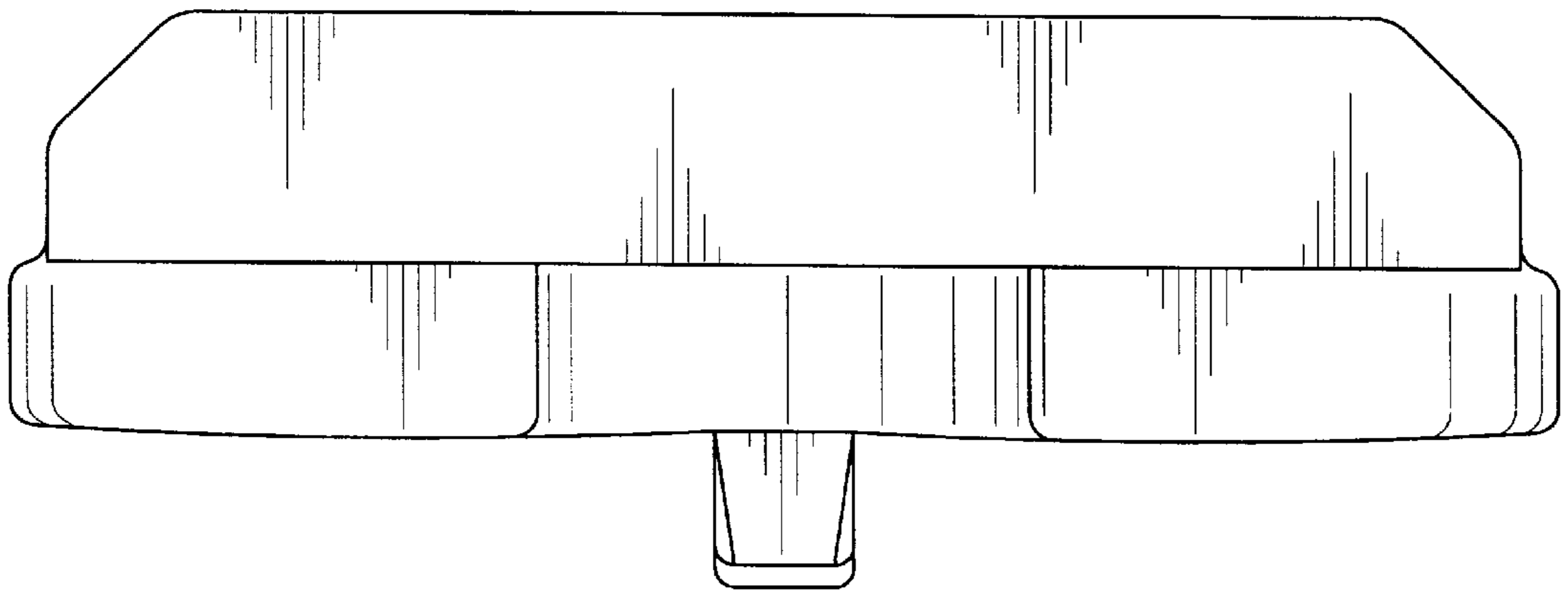


Fig. 7