



US00D460138S

(12) **United States Design Patent**
Anzaldua et al.

(10) **Patent No.:** **US D460,138 S**

(45) **Date of Patent:** **** Jul. 9, 2002**

(54) **GOLFING AID**

D400,612 S * 11/1998 Rubin D21/796
D415,233 S * 10/1999 Bernatz D21/789

(76) Inventors: **Raul Anzaldua**, P.O. Box 385, Bastrop,
TX (US) 78602; **Edward J.**
Hyrniewicz, 126 Tanglewood Tr., Elgin,
TX (US) 78621

* cited by examiner

Primary Examiner—Mitchell Siegel
(74) *Attorney, Agent, or Firm*—Clark, Thomas & Winters

(**) Term: **14 Years**

(57) **CLAIM**

(21) Appl. No.: **29/132,622**

I claim the ornamental design for golfing aid, as shown.

(22) Filed: **Nov. 9, 2000**

DESCRIPTION

(51) **LOC (7) Cl.** **21-02**

(52) **U.S. Cl.** **D21/789**

(58) **Field of Search** D21/789, 796;
473/282; 294/19.2; 248/156

FIG. 1 is the perspective view of the golfing aid.

FIG. 2 is the front elevation of the golfing aid.

FIG. 3 is the left side elevation of the golfing aid.

FIG. 4 is the rear elevation of the golfing aid.

FIG. 5 is the bottom view of the golfing aid; and,

FIG. 6 is the top view of the golfing aid.

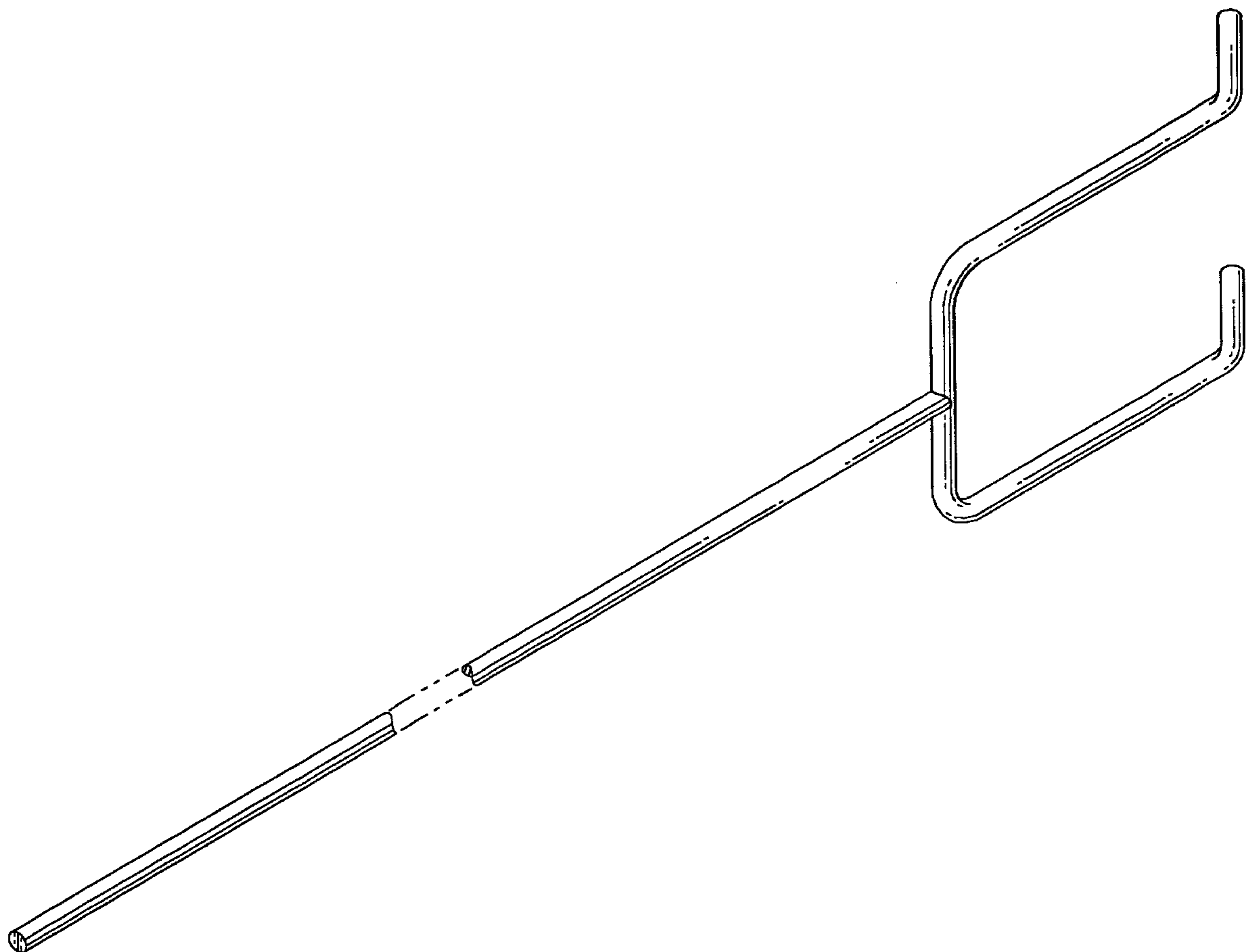
The broken away section is shown due to indeterminate length.

(56) **References Cited**

U.S. PATENT DOCUMENTS

D318,090 S * 7/1991 Bahns D21/796
5,482,338 A * 1/1996 Hall 294/19.2
D372,287 S * 7/1996 Sofie et al. D21/789

1 Claim, 3 Drawing Sheets



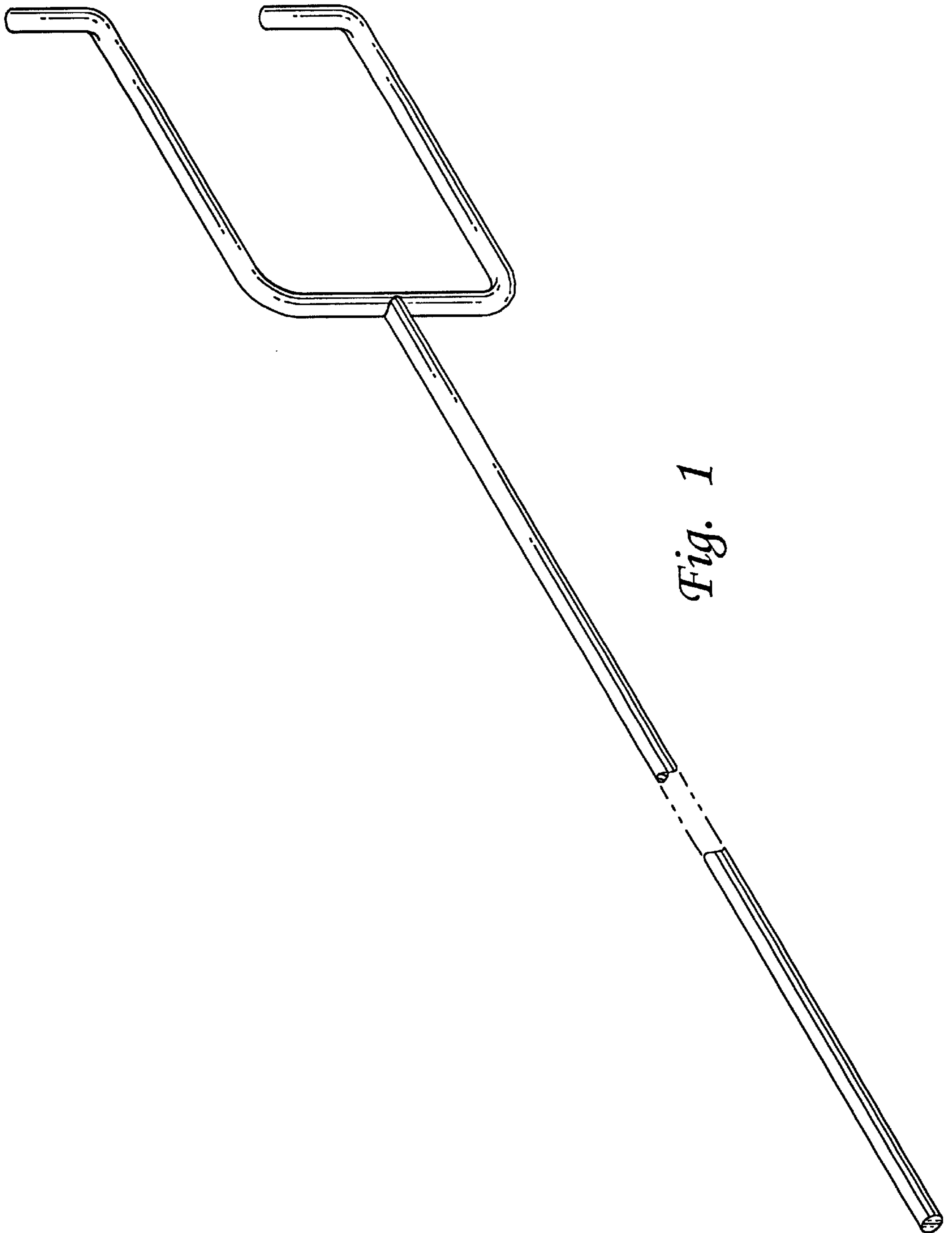


Fig. 1

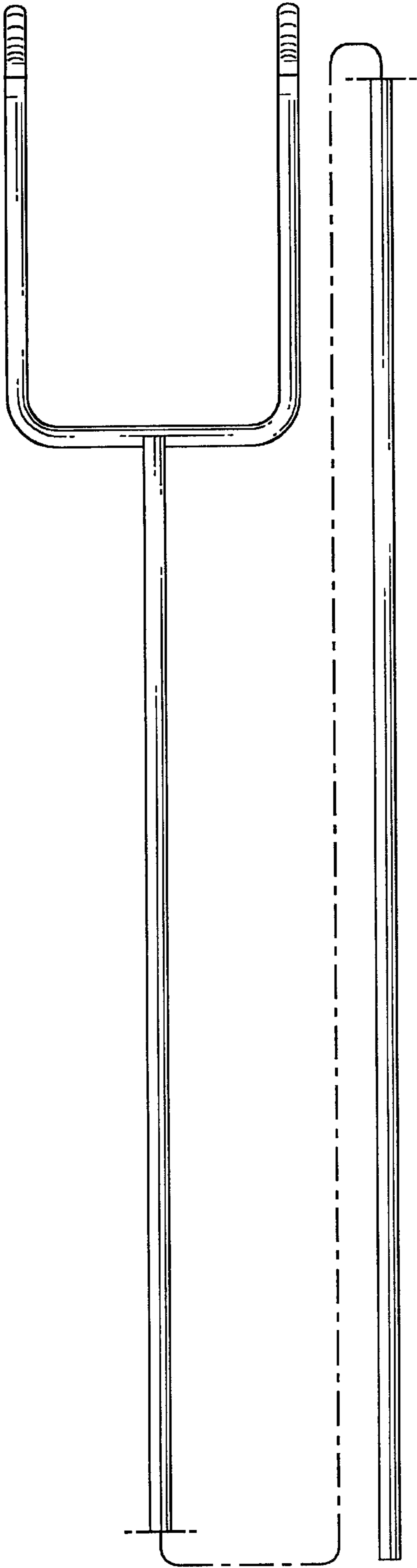


Fig. 2

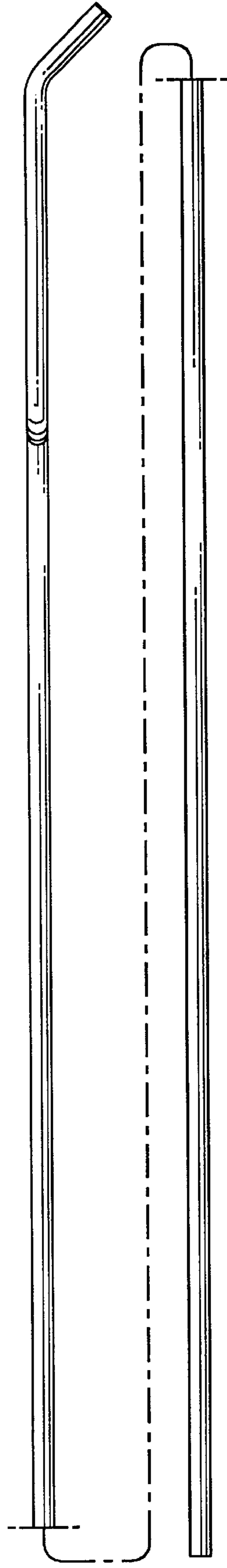


Fig. 3

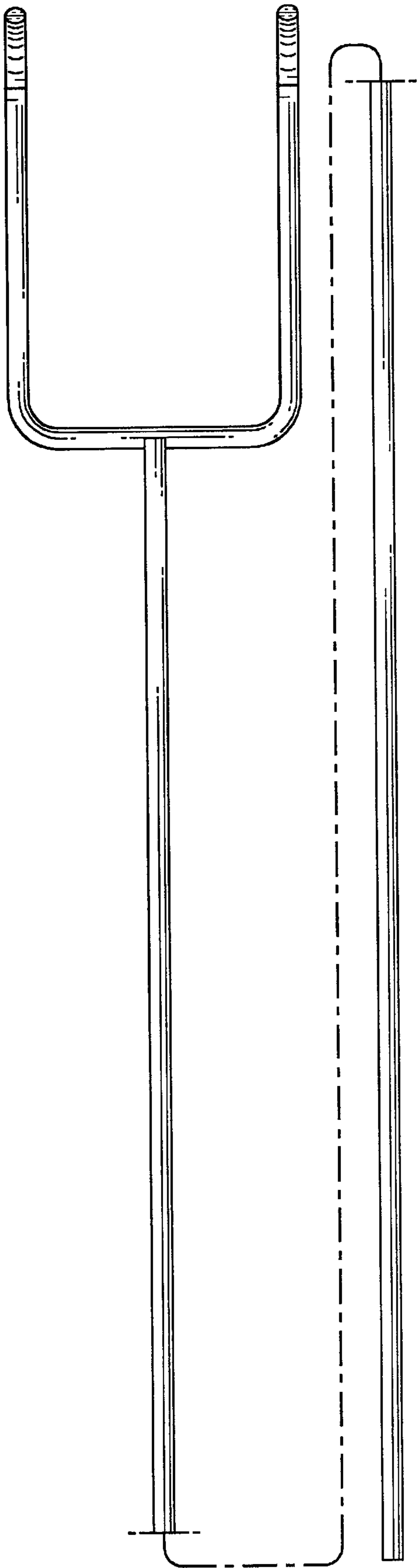


Fig. 4

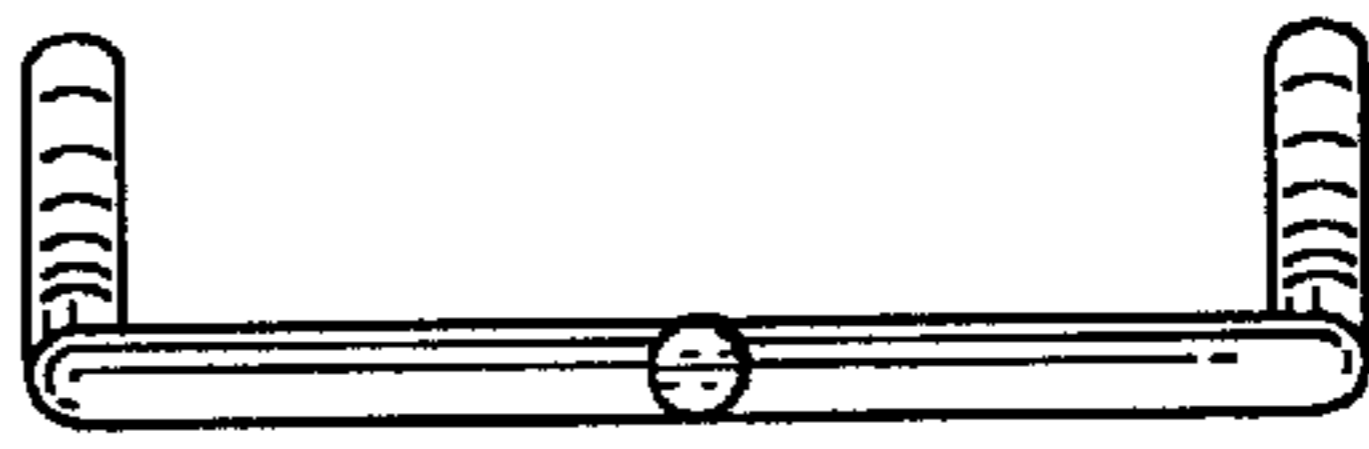


Fig. 6

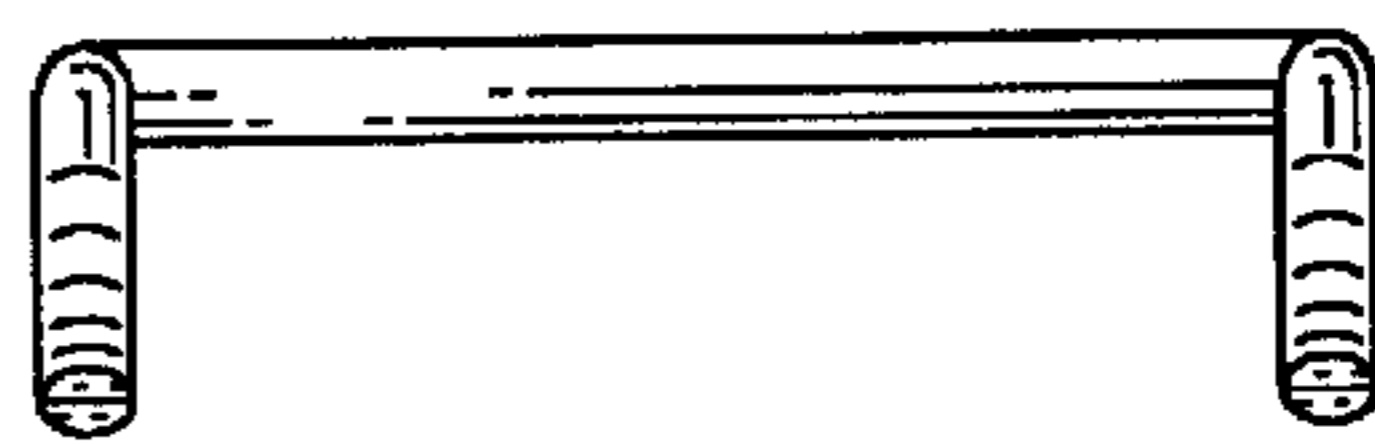


Fig. 5