



US00D460136S

(12) **United States Design Patent**
Chambers, Sr. et al.

(10) **Patent No.:** **US D460,136 S**

(45) **Date of Patent:** **** Jul. 9, 2002**

(54) **GOLF PUTTER HEAD**

(76) Inventors: **Robert V. Chambers, Sr.**, 3179 Royal Oak Dr., Marietta, GA (US) 30068;
Robert V. Chambers, Jr., 80 Paddleboat La., #731, Hilton Head, SC (US) 29928

(**) Term: **14 Years**

(21) Appl. No.: **29/144,845**

(22) Filed: **Jul. 11, 2001**

(51) **LOC (7) Cl.** **21-02**

(52) **U.S. Cl.** **D21/742**

(58) **Field of Search** D21/736-746;
473/251-256, 324, 327, 328, 340, 341

(56) **References Cited**

U.S. PATENT DOCUMENTS

4,078,806	A	3/1978	Brandell	
D299,045	S	* 12/1988	Antonious D21/740
D326,131	S	* 5/1992	Antonious D21/742
5,127,653	A	7/1992	Nelson	
5,137,275	A	8/1992	Nelson	
5,215,307	A	6/1993	Huffman	
D340,753	S	* 10/1993	Miesch D21/743
5,348,295	A	9/1994	Phillips	
5,388,827	A	2/1995	Reynolds, Jr.	

OTHER PUBLICATIONS

The United States Golf Association (USGA); USGA 2001 Publications List; The Rules of Golf; The Rules of Golf 2000-01 Edition*; PG2000; Copyright 1999; http://www.usga.org/about/Publications_2001.html.

The United States Golf Association (USGA); Rules & Decisions; Rules of Golf & The Decision on the Rules of Golf—2000-01; Appendices II and III; Appendix II—Design of Clubs; Design of Clubs; Appendices II and III; pp. 1-4; http://www.usga.org/rules/rule_2000/appendix2.html. Design of Clubs; pp. 582-589; 1998 or before.

* cited by examiner

Primary Examiner—Mitchell Siegel

(74) *Attorney, Agent, or Firm*—Morris, Manning & Martin, L.L.P.

(57) **CLAIM**

The ornamental design for the golf putter head, as shown and described.

DESCRIPTION

FIG. 1 is a perspective view of the golf putter of this invention;

FIG. 2 is a first side elevational view thereof;

FIG. 3 is a second side elevational view thereof;

FIG. 4 is the front elevational view thereof;

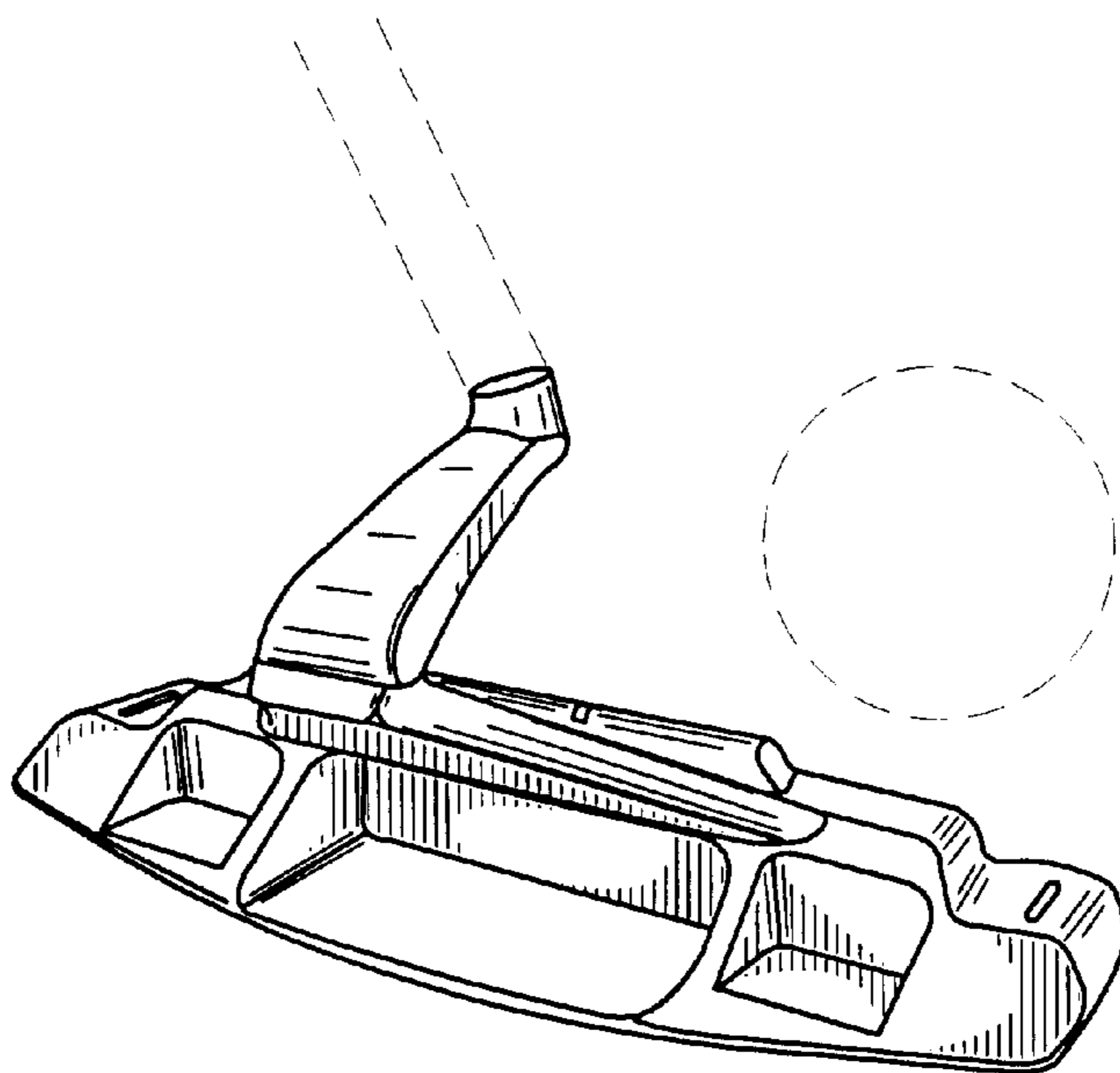
FIG. 5 is a front rear elevational view thereof;

FIG. 6 is a top plan view thereof; and,

FIG. 7 is a bottom plan view thereof.

The broken line showing of the fragmented shaft and golf ball is for illustrative purposes only and forms no part of the claimed design.

1 Claim, 2 Drawing Sheets



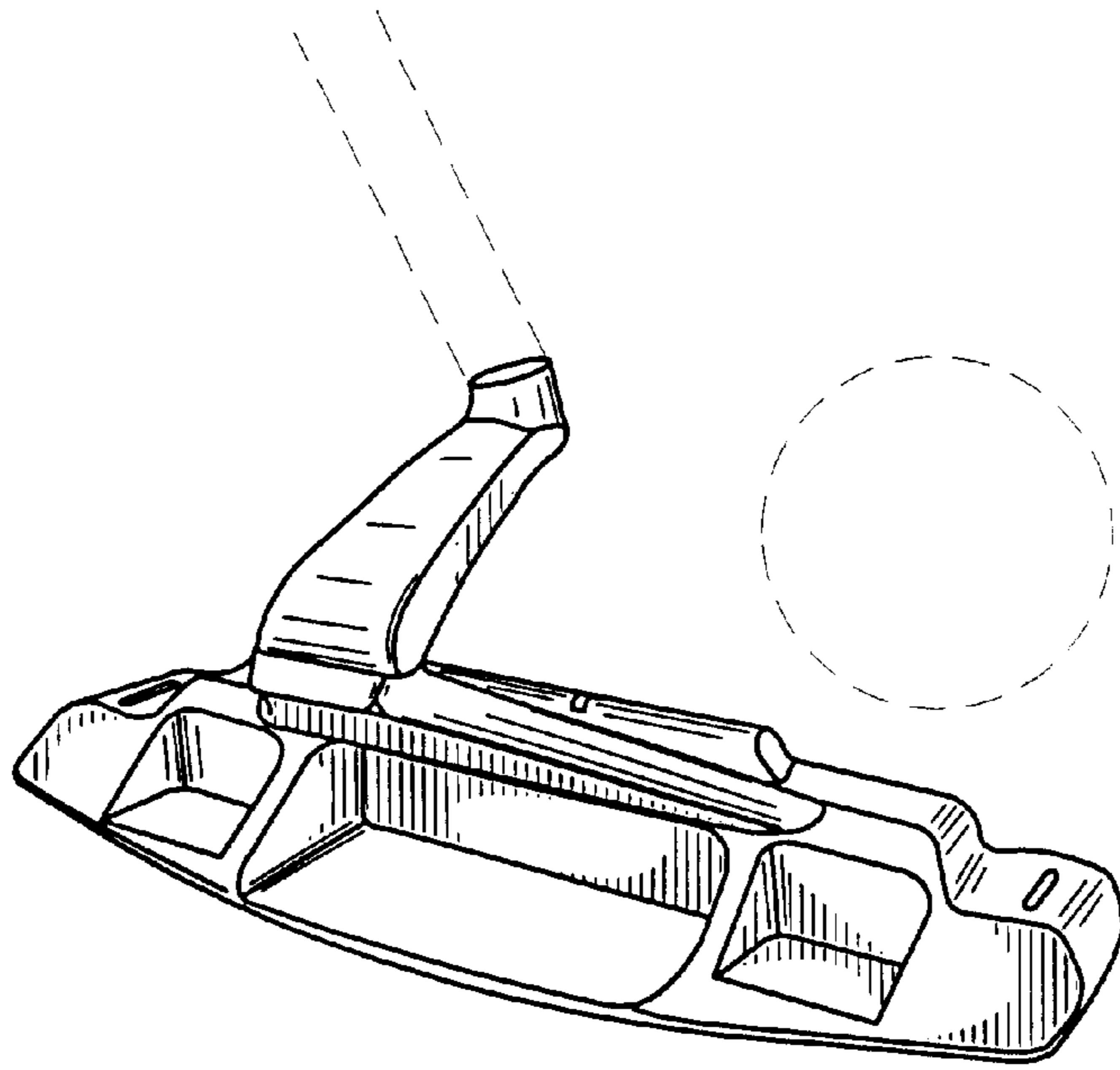


Fig. 1

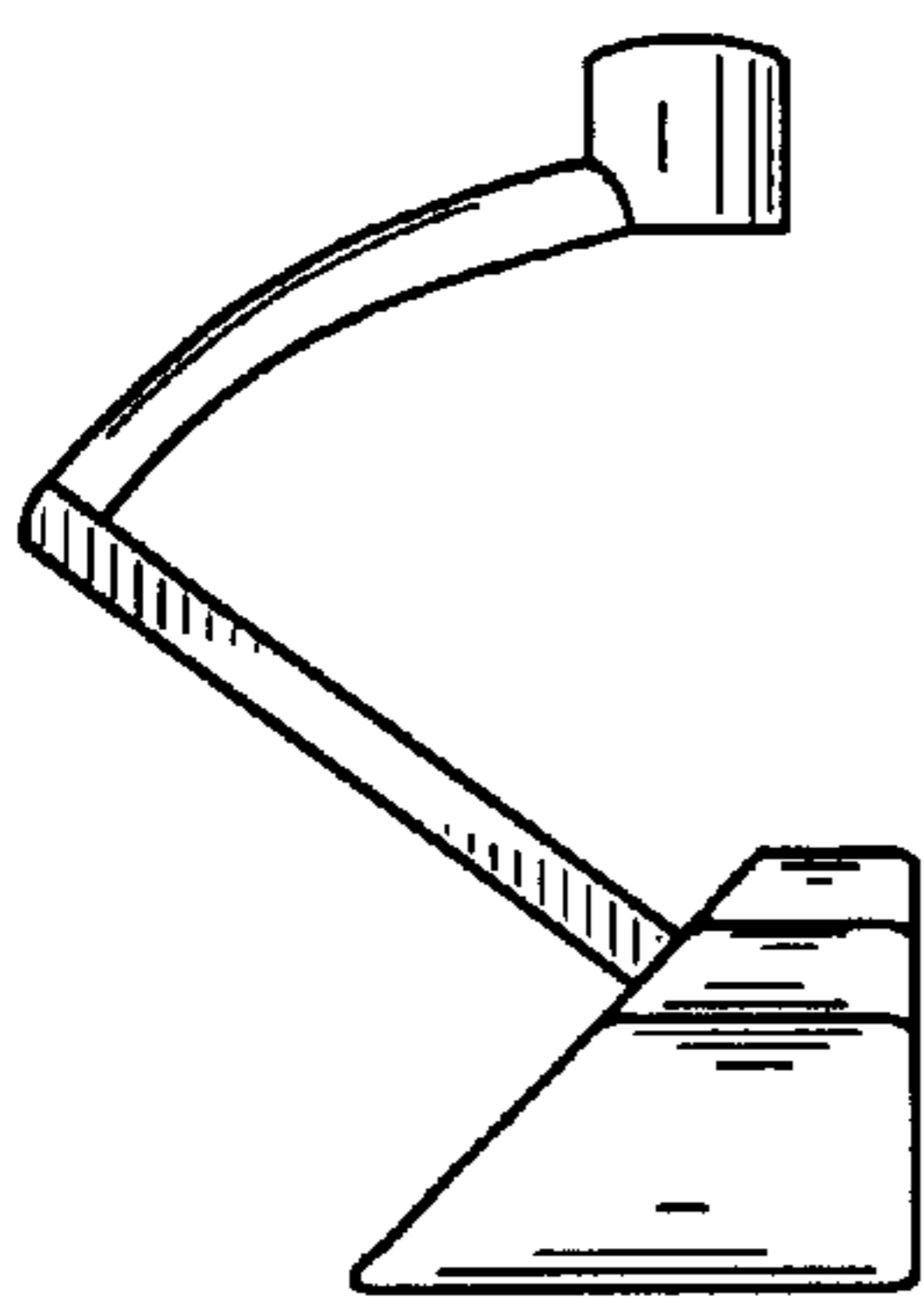


Fig. 2

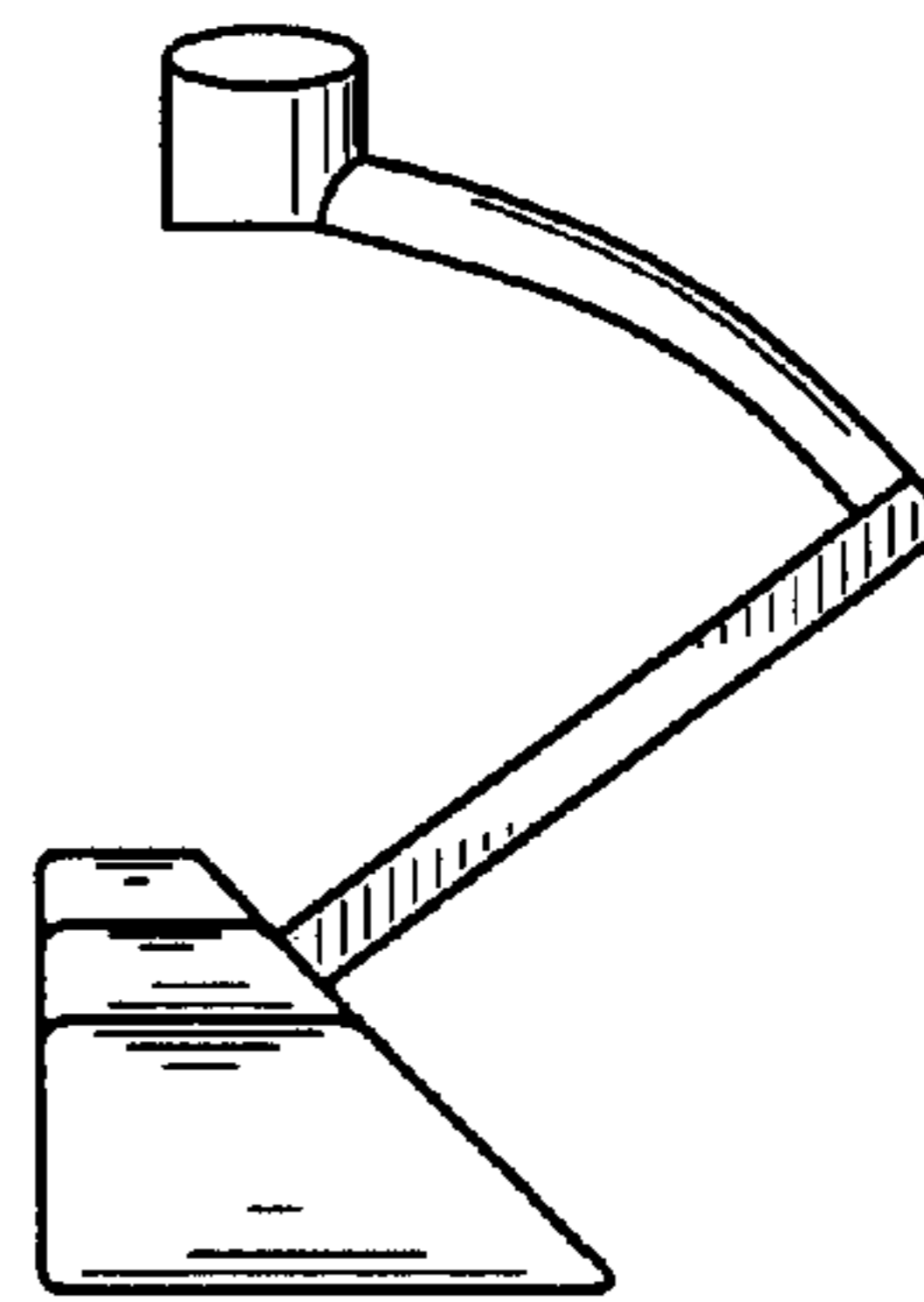


Fig. 3

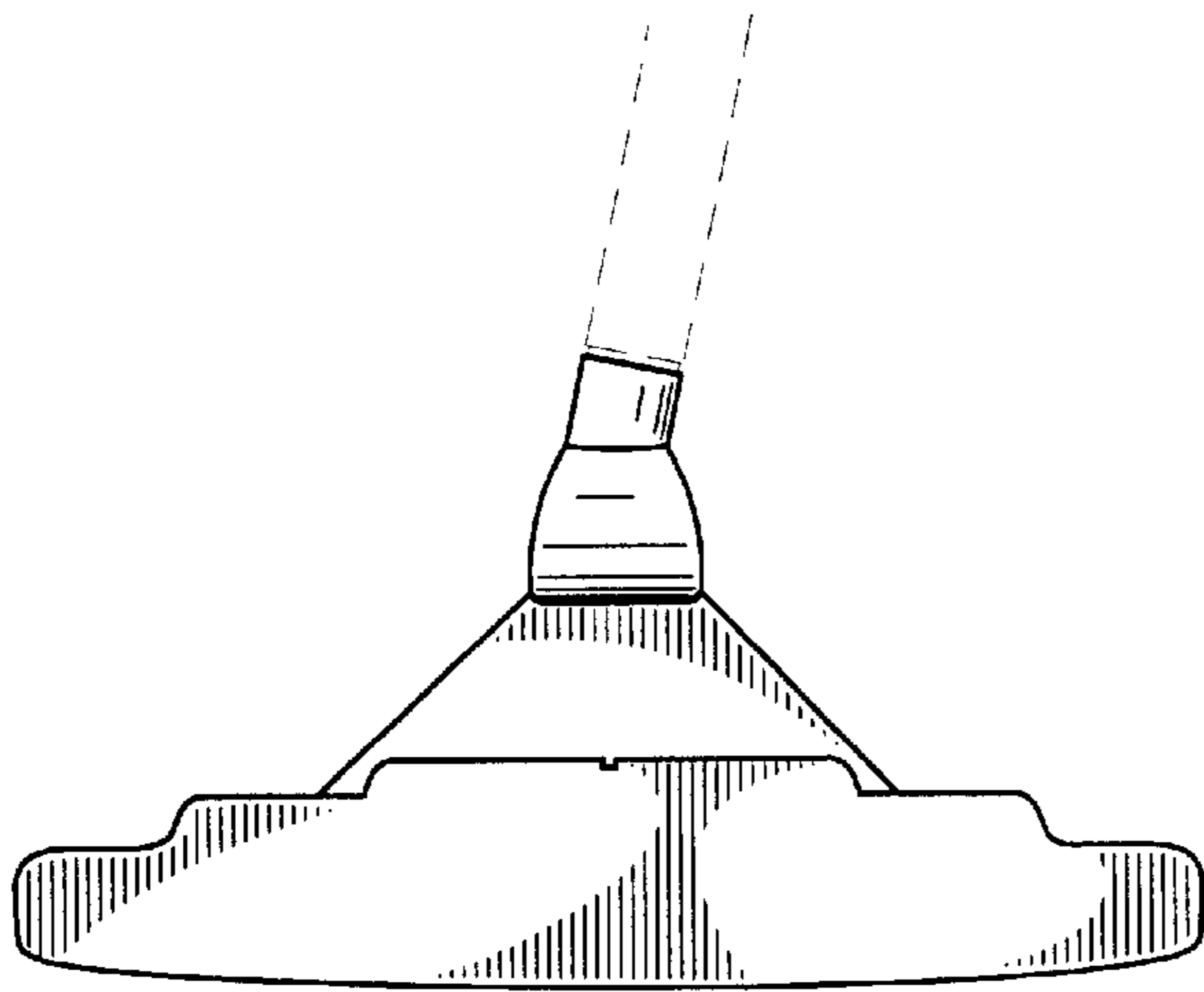


Fig. 4

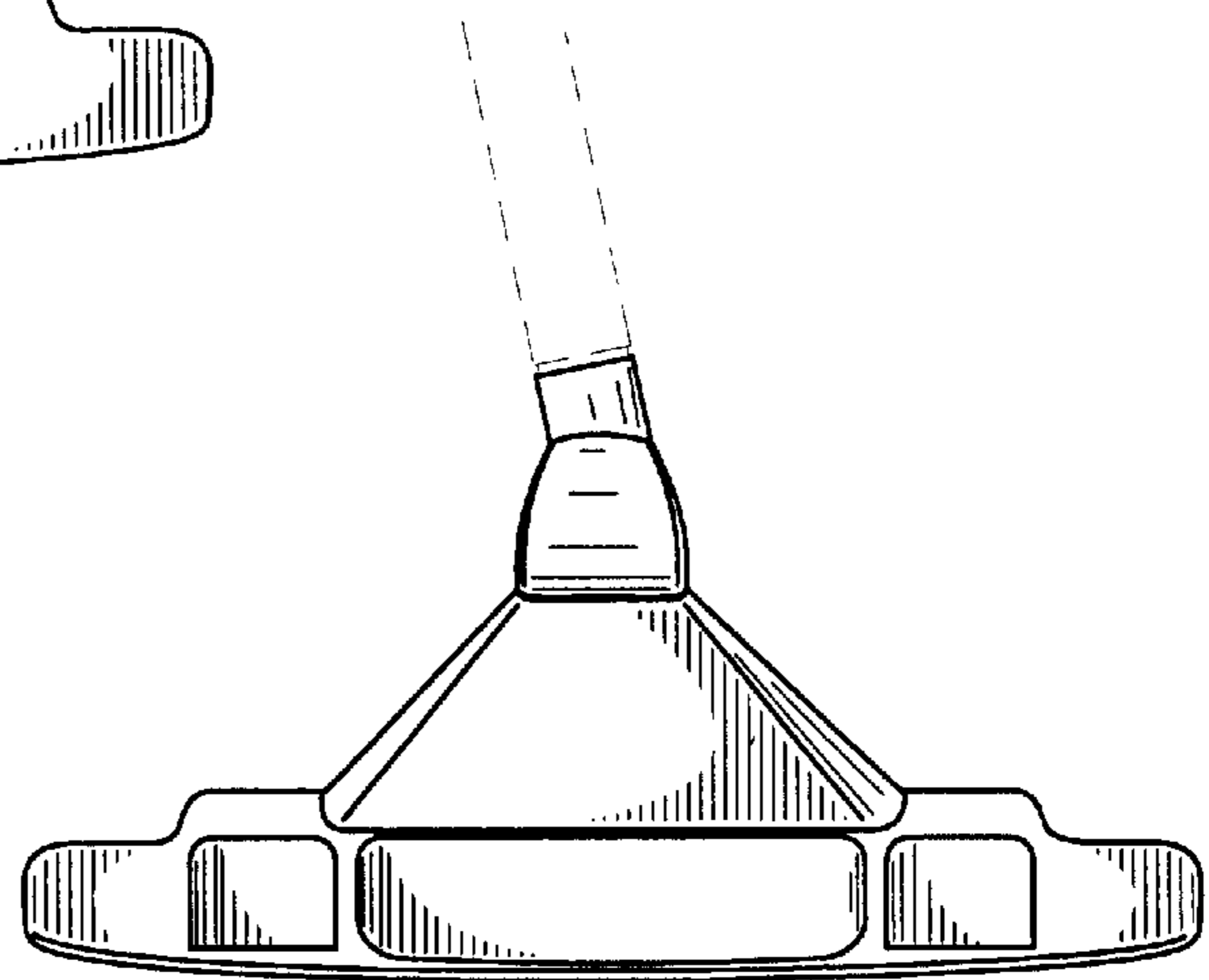


Fig. 5

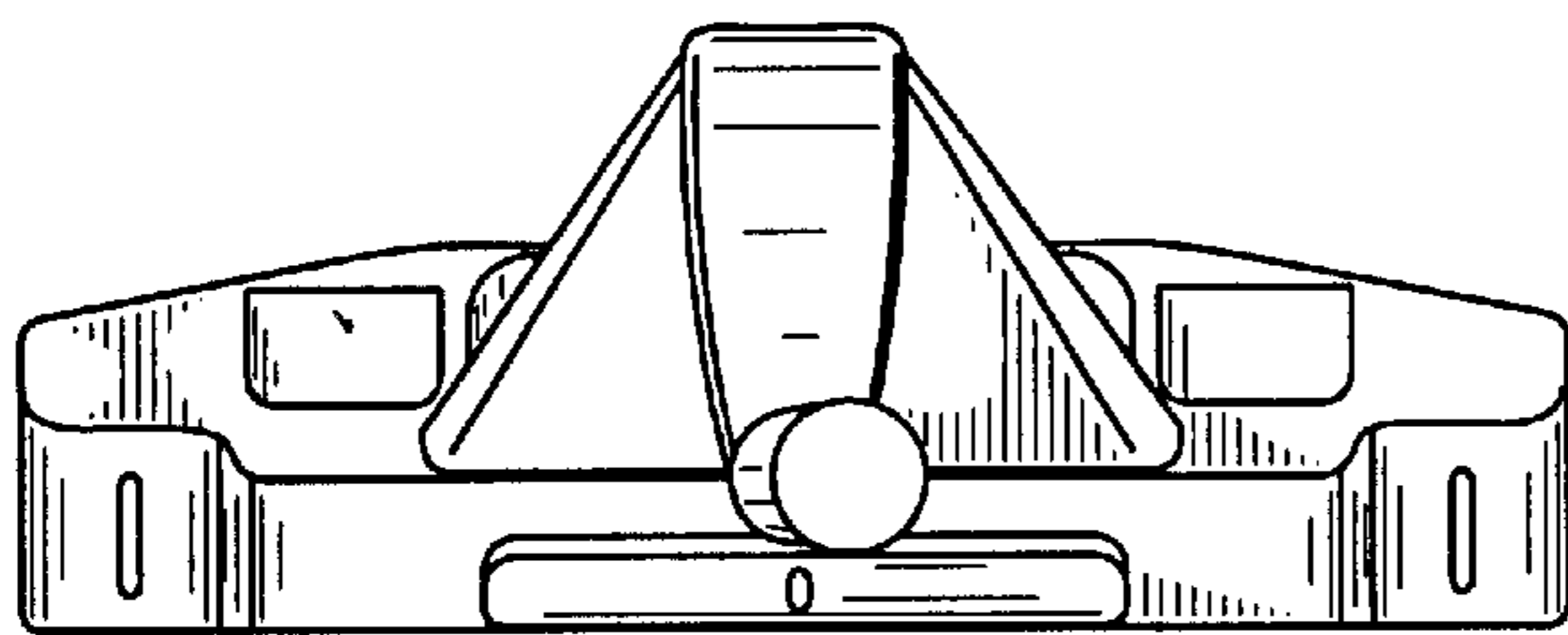


Fig. 6

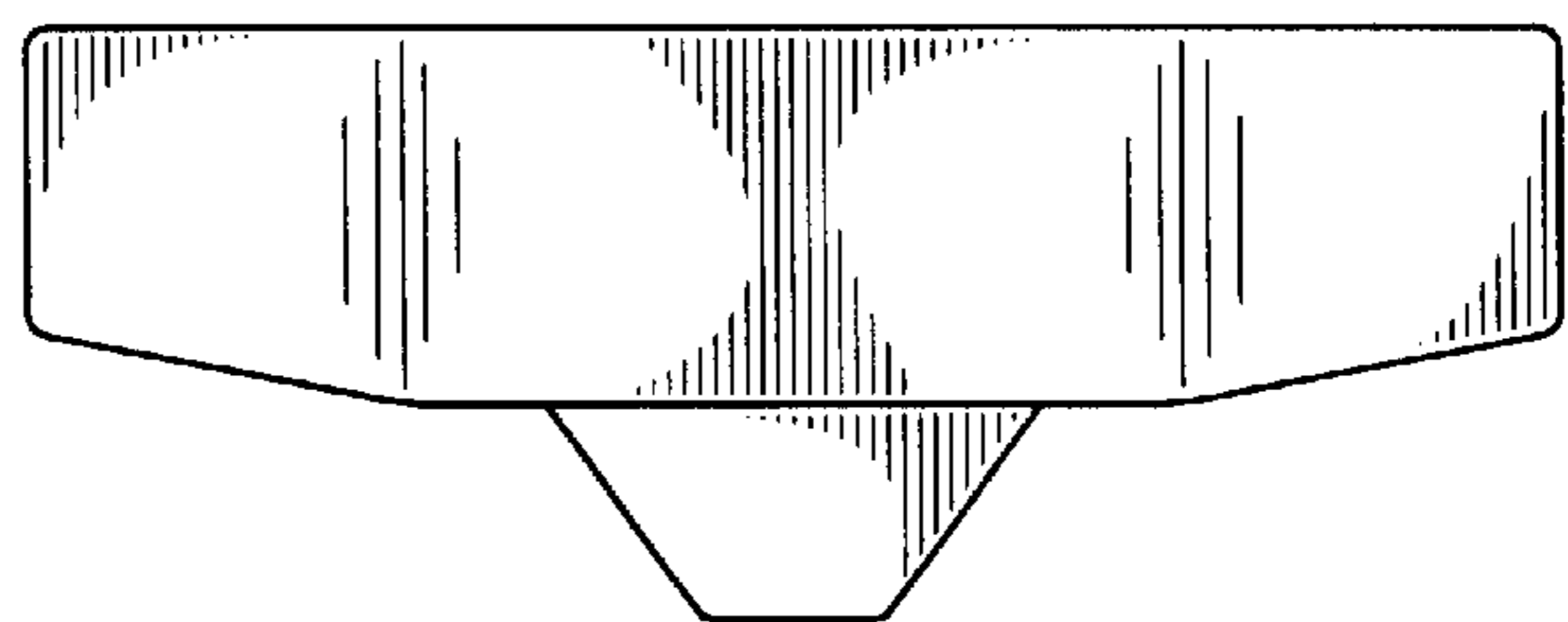


Fig. 7