



US00D460134S

(12) **United States Design Patent**  
**Jones**

(10) **Patent No.:** **US D460,134 S**

(45) **Date of Patent:** **\*\* Jul. 9, 2002**

(54) **BASKETBALL GOAL COVER**

D425,587 S \* 5/2000 Wiedner ..... D21/701  
D434,092 S \* 11/2000 Wiedner ..... D21/701

(76) Inventor: **Willie Earl Jones**, 112 Martha Loop,  
Farmville, NC (US) 27828

\* cited by examiner

(\*\*) Term: **14 Years**

*Primary Examiner*—Dominic Simone  
(74) *Attorney, Agent, or Firm*—Clifford F. Rey

(21) Appl. No.: **29/143,374**

(57) **CLAIM**

(22) Filed: **Jun. 13, 2001**

The ornamental design for a basketball goal cover, as shown and described.

(51) **LOC (7) Cl.** ..... **21-02**

(52) **U.S. Cl.** ..... **D21/701; D21/781**

(58) **Field of Search** ..... D21/781, 701;  
D6/610; 150/154; 473/485

**DESCRIPTION**

FIG. 1 is a left side elevational view of the basketball goal cover showing the new design, the right side being a mirror image thereof;

FIG. 2 is a top plan view thereof;

FIG. 3 is a bottom plan view thereof;

FIG. 4 is a front elevational view thereof;

FIG. 5 is a rear elevational view thereof; and,

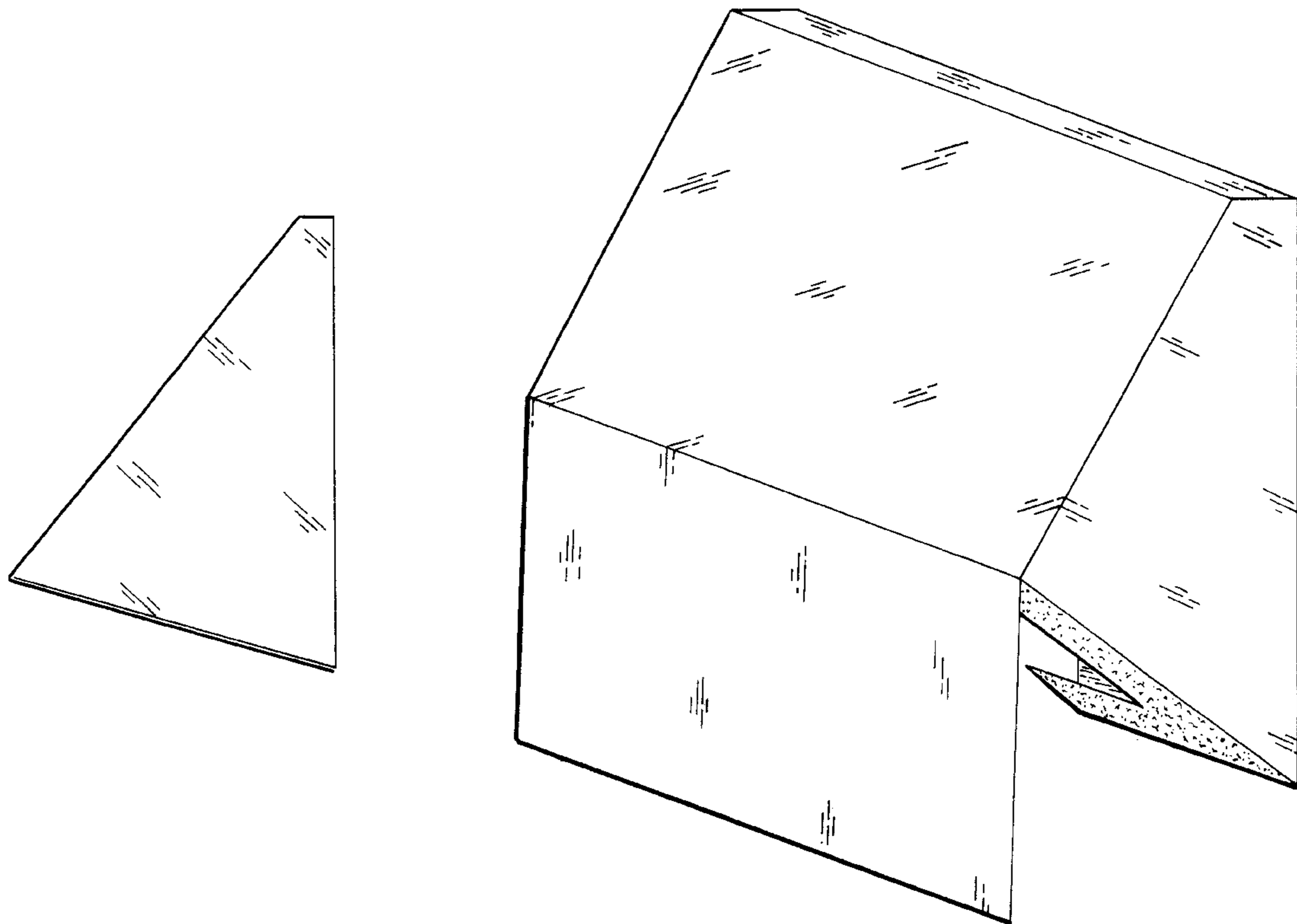
FIG. 6 is a top, right, front perspective view thereof, the bottom flap in a partially open position.

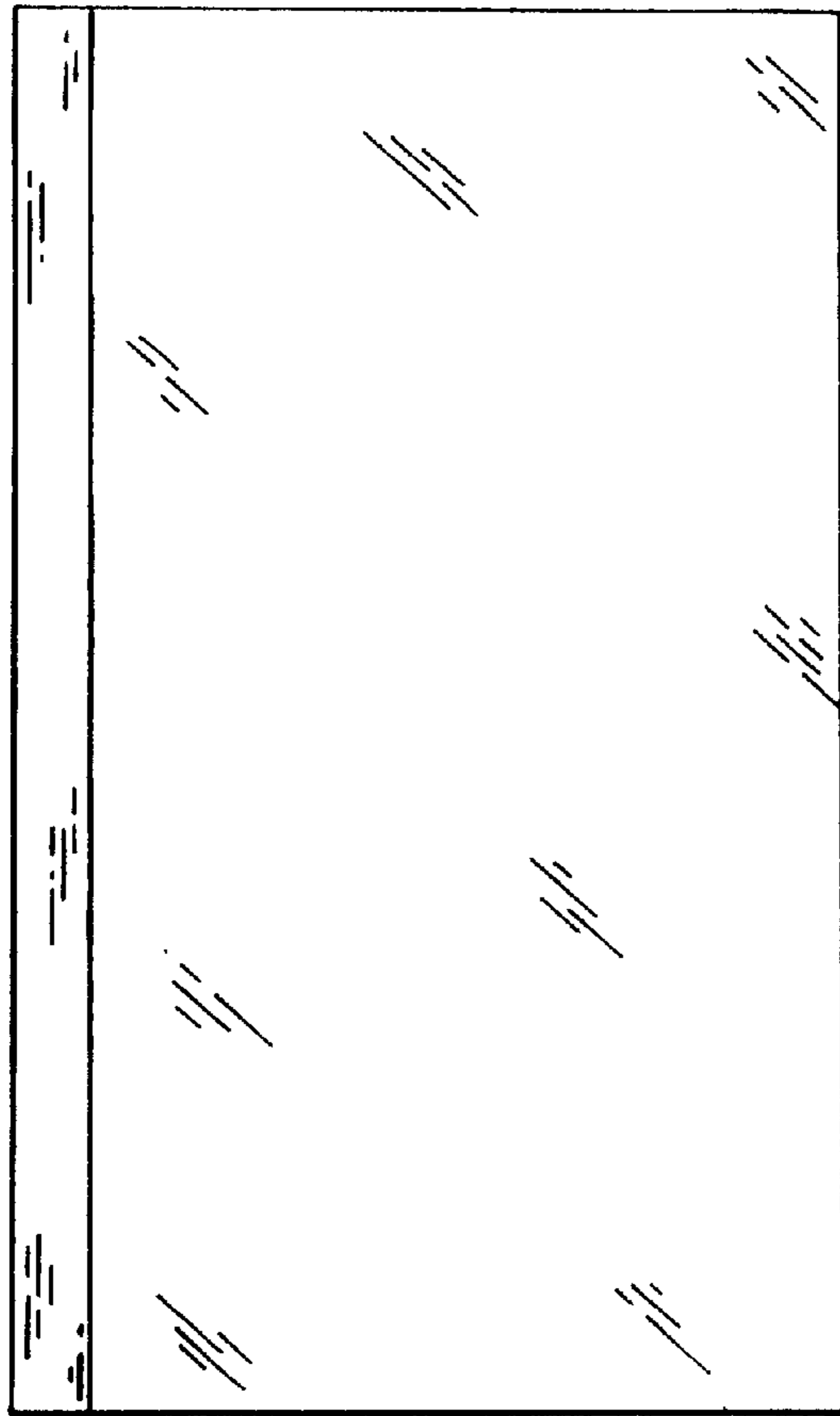
(56) **References Cited**

**U.S. PATENT DOCUMENTS**

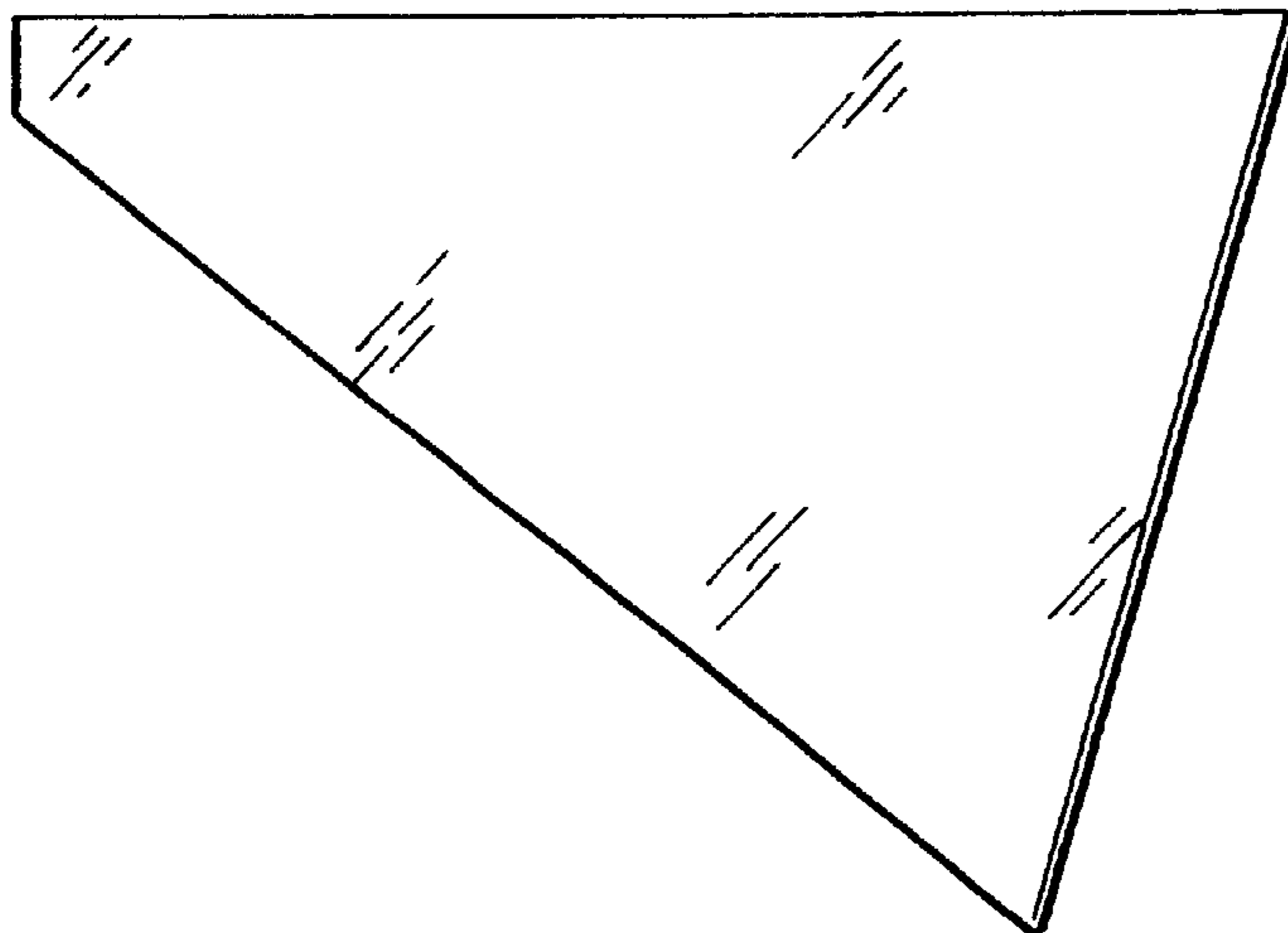
1,315,794	A	*	9/1919	Richard	.....	150/154	X
D184,056	S	*	12/1958	Kaye	.....	D6/610	
3,259,173	A	*	7/1966	Manning	.....	150/154	X
D229,653	S	*	12/1973	Hendrickson	.....	D6/610	
D240,882	S	*	8/1976	Knight	.....	D6/610	
5,813,930	A		9/1998	Strauther	.....	473/485	

**1 Claim, 4 Drawing Sheets**

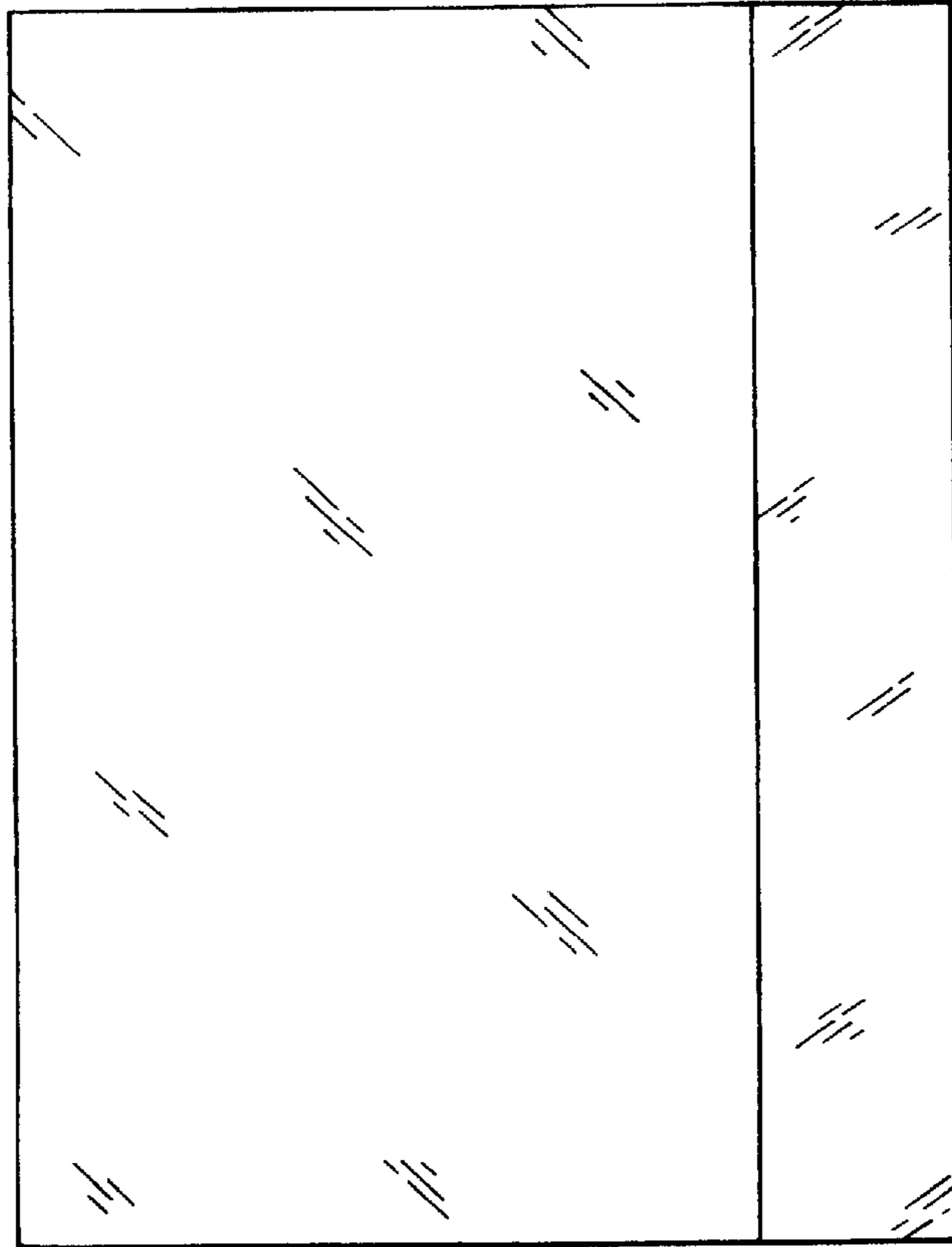




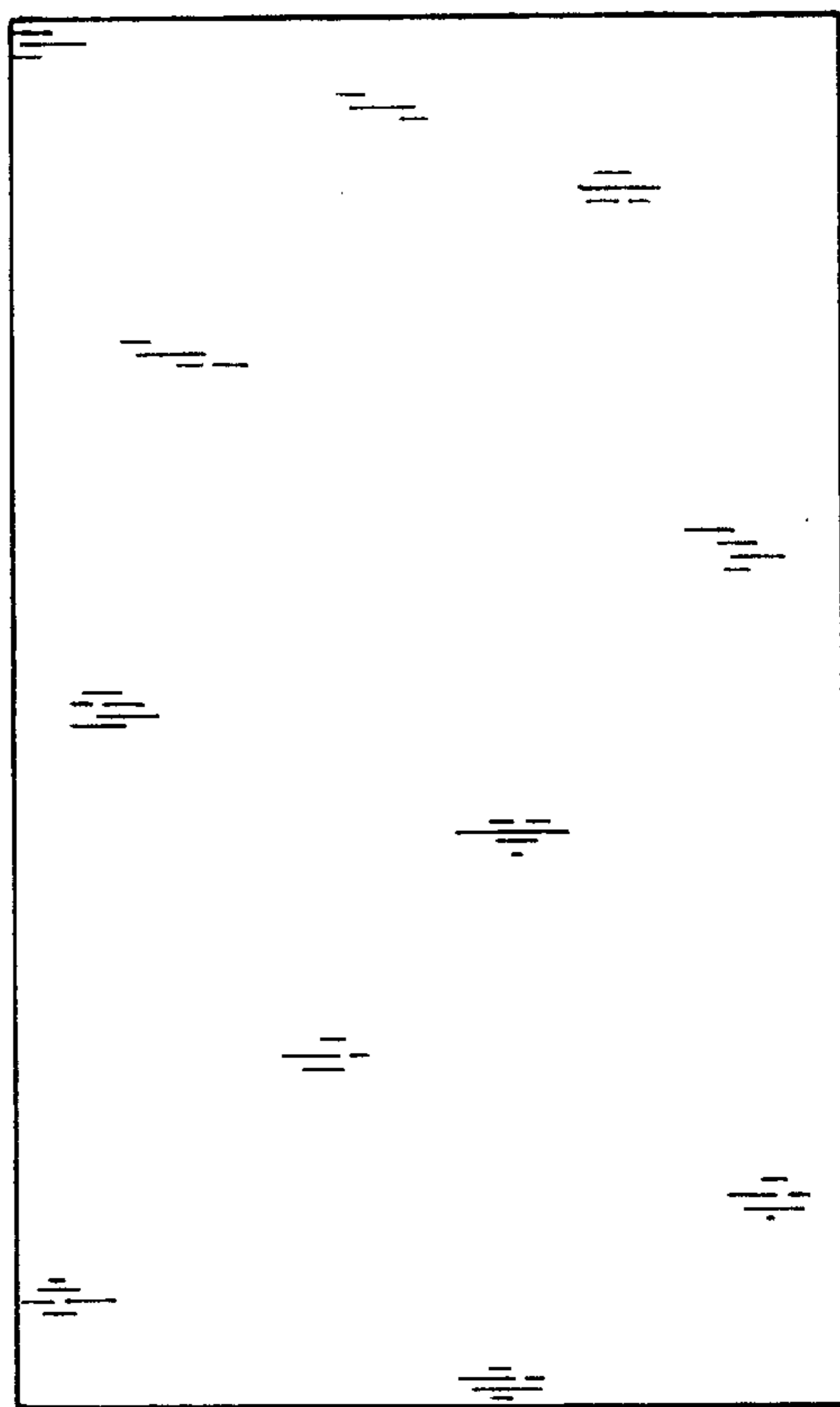
*Fig. 2*



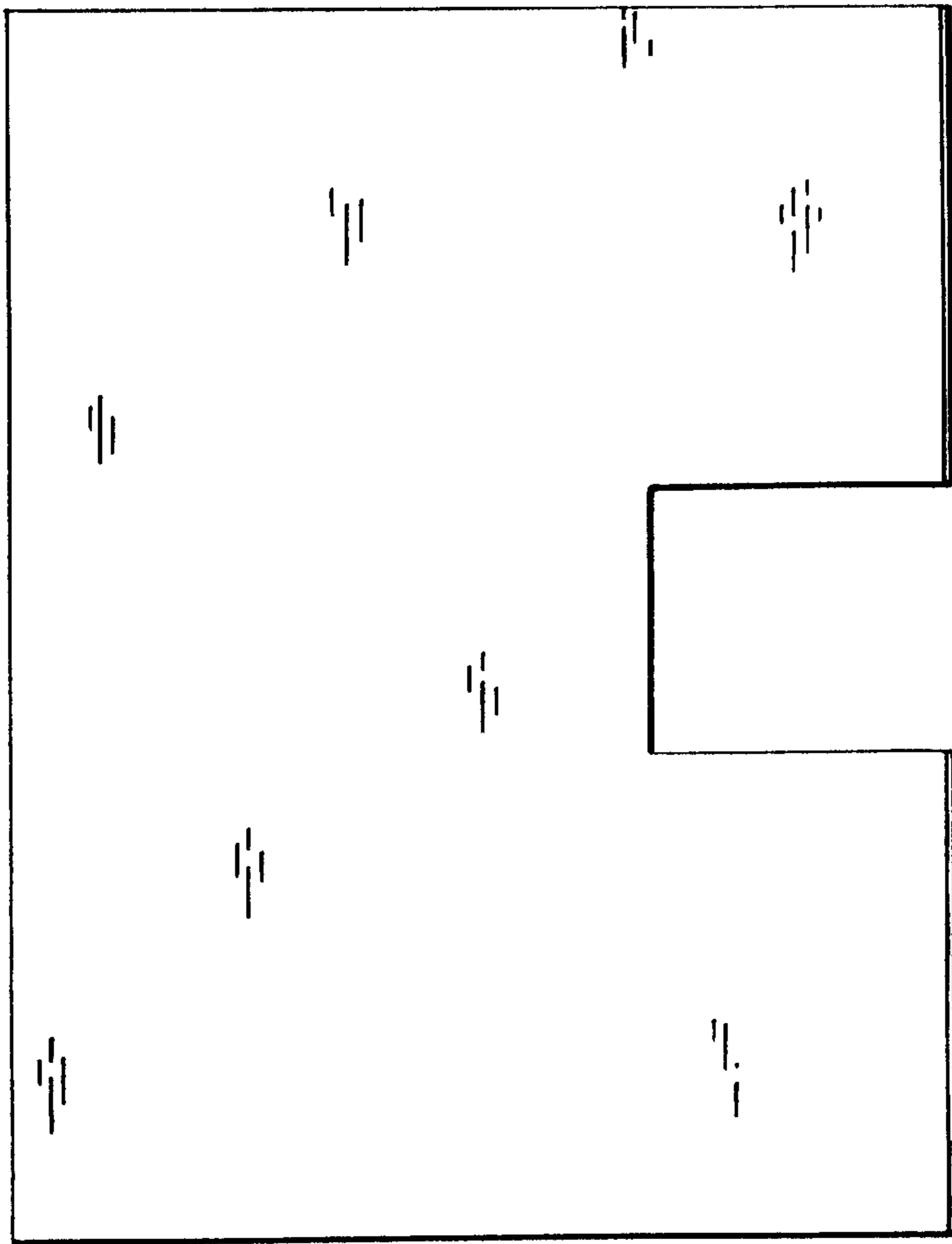
*Fig. 1*



*Fig. 4*



*Fig. 3*



*Fig. 5*

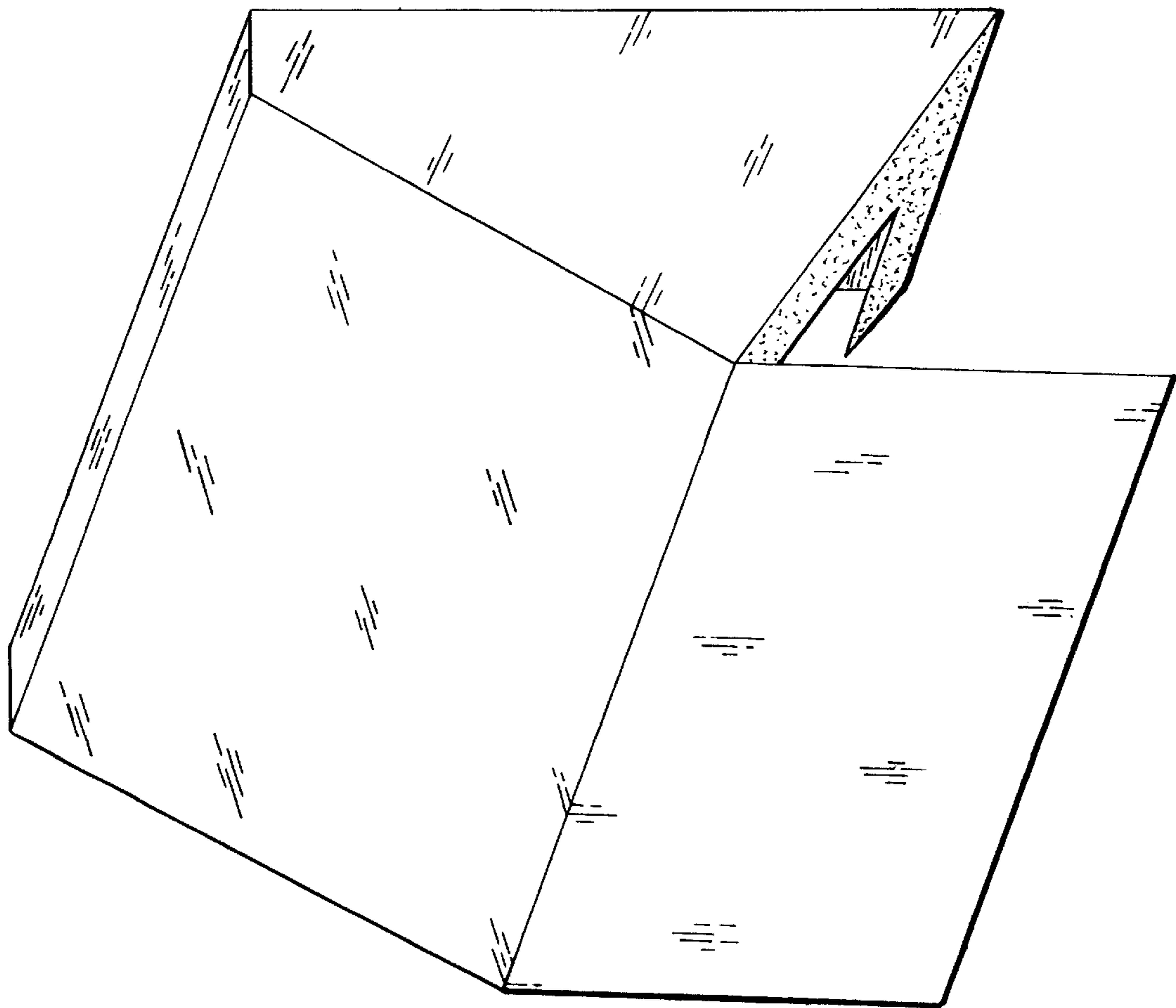


Fig. 6