



US00D460133S

(12) **United States Design Patent** (10) **Patent No.:** **US D460,133 S**
Baker (45) **Date of Patent:** **** Jul. 9, 2002**

(54) **EXERCISE BICYCLE MONOFRAME**
(75) Inventor: **Andy Baker**, Longmont, CO (US)
(73) Assignee: **Nautilus, Inc.**, Boulder, CO (US)
(**) Term: **14 Years**
(21) Appl. No.: **29/135,961**
(22) Filed: **Jan. 22, 2001**

Related U.S. Application Data

(62) Division of application No. 29/135,826, filed on Jan. 19, 2001.
(51) **LOC (7) Cl.** **21-02**
(52) **U.S. Cl.** **D21/697**
(58) **Field of Search** D21/663, 664,
D21/665, 667, 668, 697; 482/51, 57, 63,
64

(56) **References Cited**

U.S. PATENT DOCUMENTS

562,198 A	6/1896	Robinson	482/52
588,166 A	8/1897	McCoy	74/551.1
633,534 A	9/1899	Read	280/261
635,082 A	10/1899	Stiles	280/261
671,785 A	4/1901	Young et al.	482/57
1,336,774 A	4/1920	Cooper	482/57
1,507,554 A	9/1924	Cooper	482/57
1,636,327 A	7/1927	Roe	424/144
3,062,204 A	11/1962	Stefano	128/25
3,511,097 A	5/1970	Corwin	73/379
D251,747 S *	5/1979	Valentine	D21/697
4,188,030 A	2/1980	Hooper	272/73
D280,117 S *	8/1985	Collins	D21/697

(List continued on next page.)

OTHER PUBLICATIONS

Catalog: "Schwinn® Fitness Equipment", available as early as 1985.
Catalog: "Schwinn® Fitness Catalog", available as early as 1987.

Catalog: "Schwinn '88 Lightweight Bicycles", available as early as 1988.
Catalog: "1990 Schwinn Full-Line Fitness Catalog", 1990.
Catalog: "Schwinn Fitness", available as early as 1991.
Catalog: "The 1993 Schwinn Fitness Line", available as early as 1993.
Catalog: "93 New Bikes, New Thinking", available as early as 1993.
Catalog: "Schwinn Fitness Equipment a change of shape", available as early as 1995.
Catalog: "Discover the Power Inside™, Schwinn 1995 fitness equipment", available as early as 1995.
Catalog: "LeMond™ RevMaster®", available as early as 2000.
Catalog: "Schwinn Fitness Equipment", date unknown.
Advertisement: aerobika; "Giugiaro Tresbispin 'Safety'" Apr. 23, 1998.
Picture: Reebok Studio Cycle; Date Unknown.
Brochure: Nowadays ApS; "Spinning, Total Conditioning for the Body and the Soul;" Date Unknown.
Brochure: Schwinn Cycling & Fitness Inc., "Johnny G Spinner, by Schwinn, Go Fast standing still," 1995, 4 pages.

Primary Examiner—Philip S. Hyder
(74) *Attorney, Agent, or Firm*—Dorsey & Whitney LLP

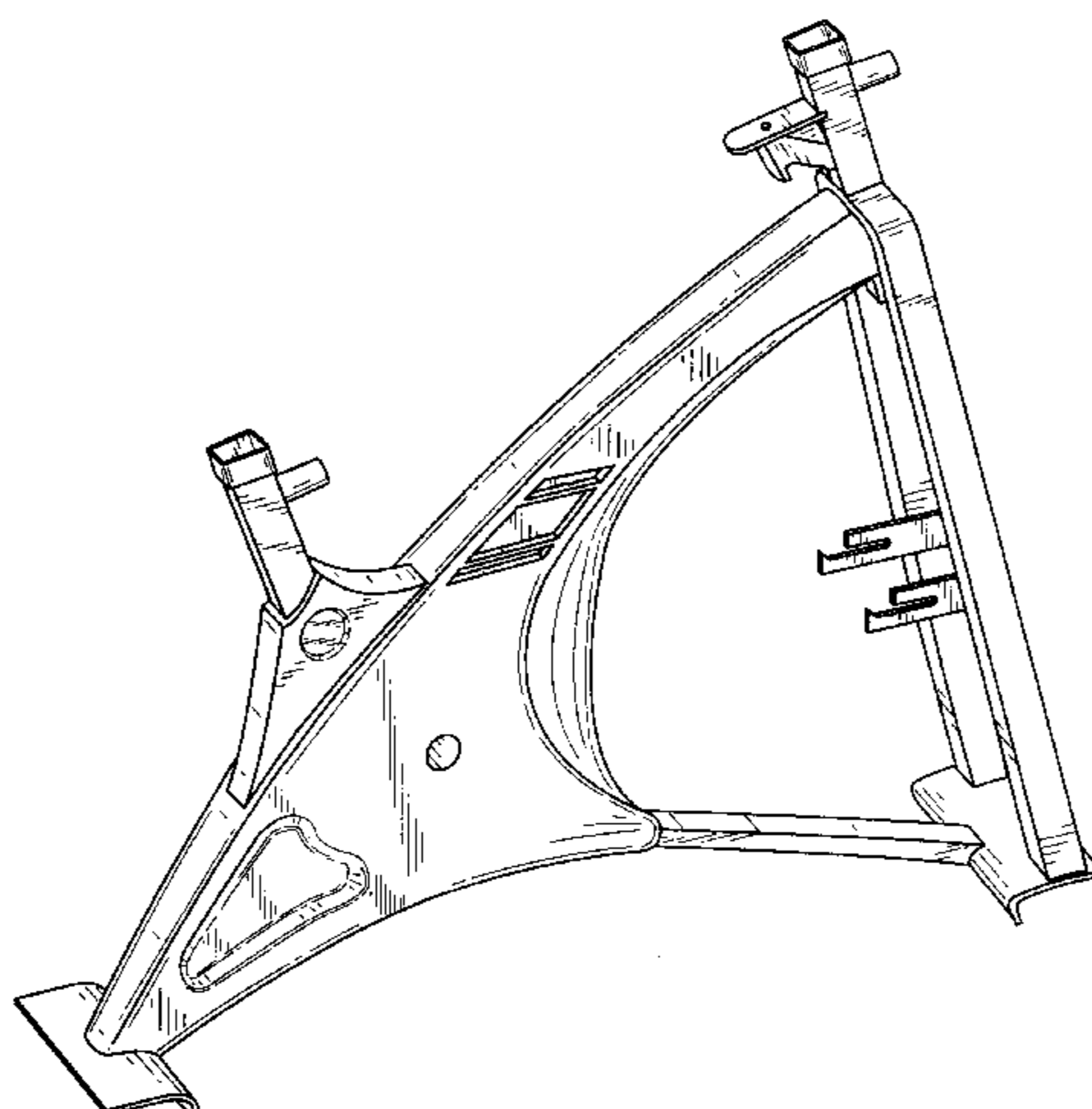
(57) **CLAIM**

The ornamental design for an exercise bicycle monoframe, as shown and described.

DESCRIPTION

FIG. 1 is a perspective view of the exercise bicycle monoframe of the present invention.
FIG. 2 is a front elevation view thereof;
FIG. 3 is a rear elevation view thereof;
FIG. 4 is a left elevation view thereof;
FIG. 5 is a right elevation view thereof;
FIG. 6 is a top plan view thereof; and,
FIG. 7 is a bottom plan view thereof.

1 Claim, 4 Drawing Sheets



US D460,133 S

Page 2

U.S. PATENT DOCUMENTS

D280,118 S	*	8/1985	Collins	D21/697	4,915,374 A	4/1990	Watkins	272/73	
4,577,860 A		3/1986	Matias	272/73	4,936,570 A	6/1990	Szymiski et al.	272/73	
D284,596 S	*	7/1986	McNeil	D21/697	5,000,469 A	3/1991	Smith	280/261	
D285,953 S		9/1986	Gustafsson	D21/667	5,145,477 A	9/1992	Han	482/57	
4,632,386 A		12/1986	Beech	272/73	5,232,422 A	8/1993	Bishop, Jr.	482/57	
D289,782 S	*	5/1987	Szymiski et al.	D21/697	5,336,147 A	8/1994	Sweeney, III	482/57	
D291,462 S		8/1987	Aalto	D21/194	5,423,728 A	6/1995	Goldberg	482/57	
D291,713 S		9/1987	Kiiski	D21/667	D368,678 S	4/1996	Wilcox et al.	D12/111	
D292,225 S		10/1987	Breger	D21/667	D372,284 S	7/1996	Wang et al.	D21/667	
D292,304 S	*	10/1987	Ostrom	D21/697	D380,796 S	7/1997	Wang et al.	D21/667	
D296,457 S		6/1988	Anitua	D21/667	D382,924 S	8/1997	Wu	D21/667	
4,768,777 A		9/1988	Yang	272/73	D382,925 S	8/1997	Wu	D21/667	
4,772,069 A		9/1988	Szymiski	297/195	5,685,553 A	11/1997	Wilcox et al.	280/283	
D299,732 S		2/1989	Gustafsson	D21/667	5,722,916 A	3/1998	Goldberg	482/57	
4,824,102 A		4/1989	Lo	272/73	D407,767 S	*	4/1999	Chang	D21/697
4,880,225 A		11/1989	Lucas et al.	272/73	6,155,958 A	12/2000	Goldberg	482/57	
4,902,001 A		2/1990	Balbo	272/73						

* cited by examiner

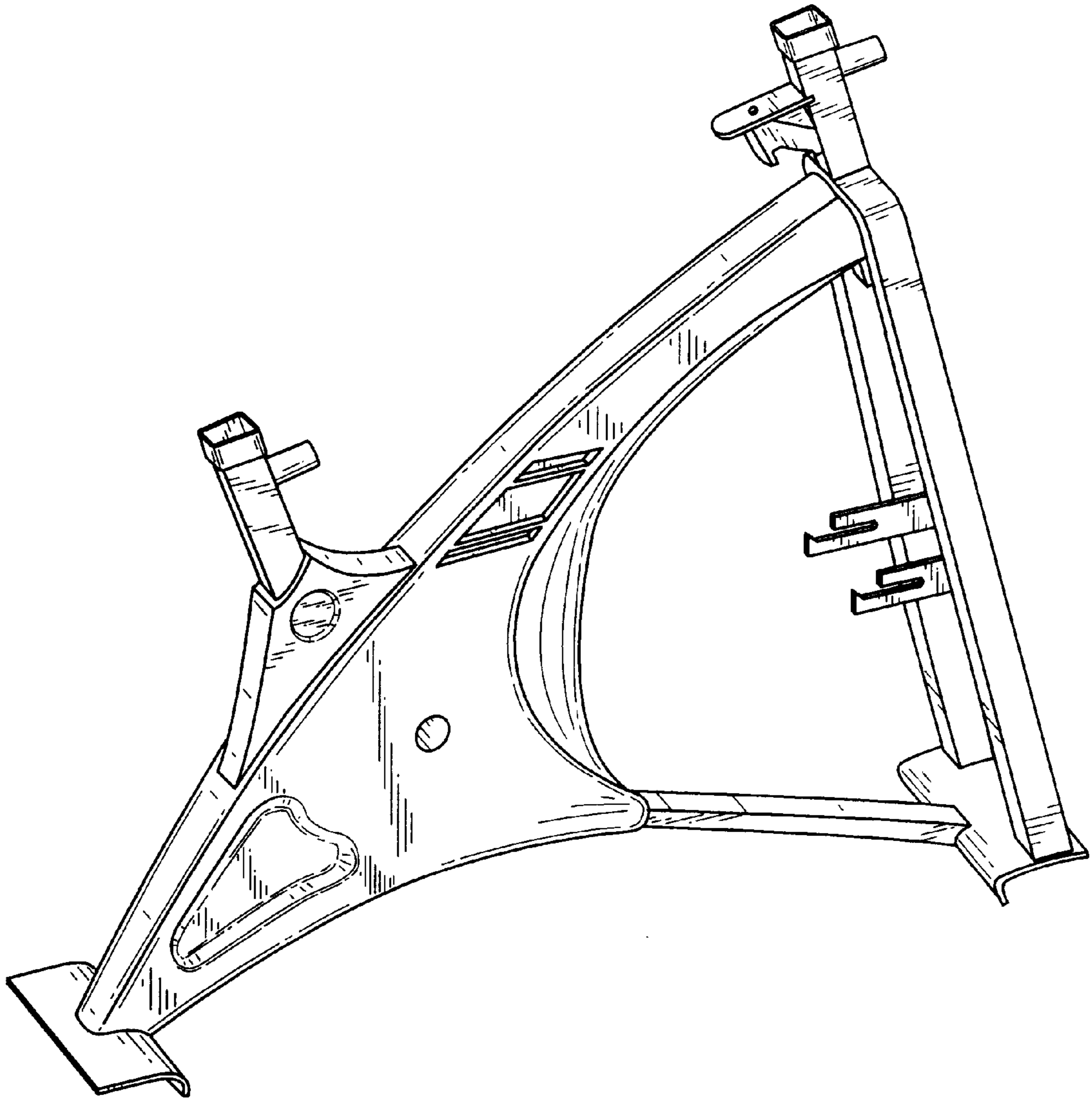


FIG. 1

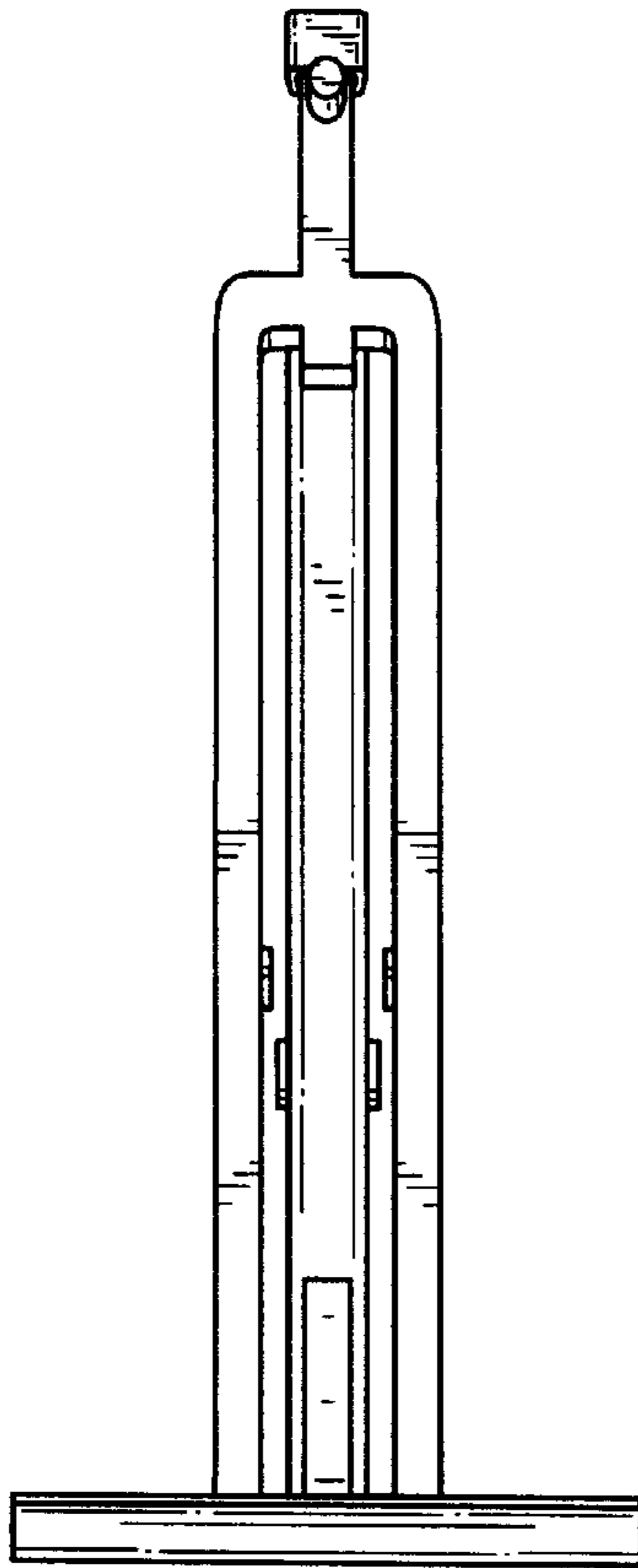


FIG. 2

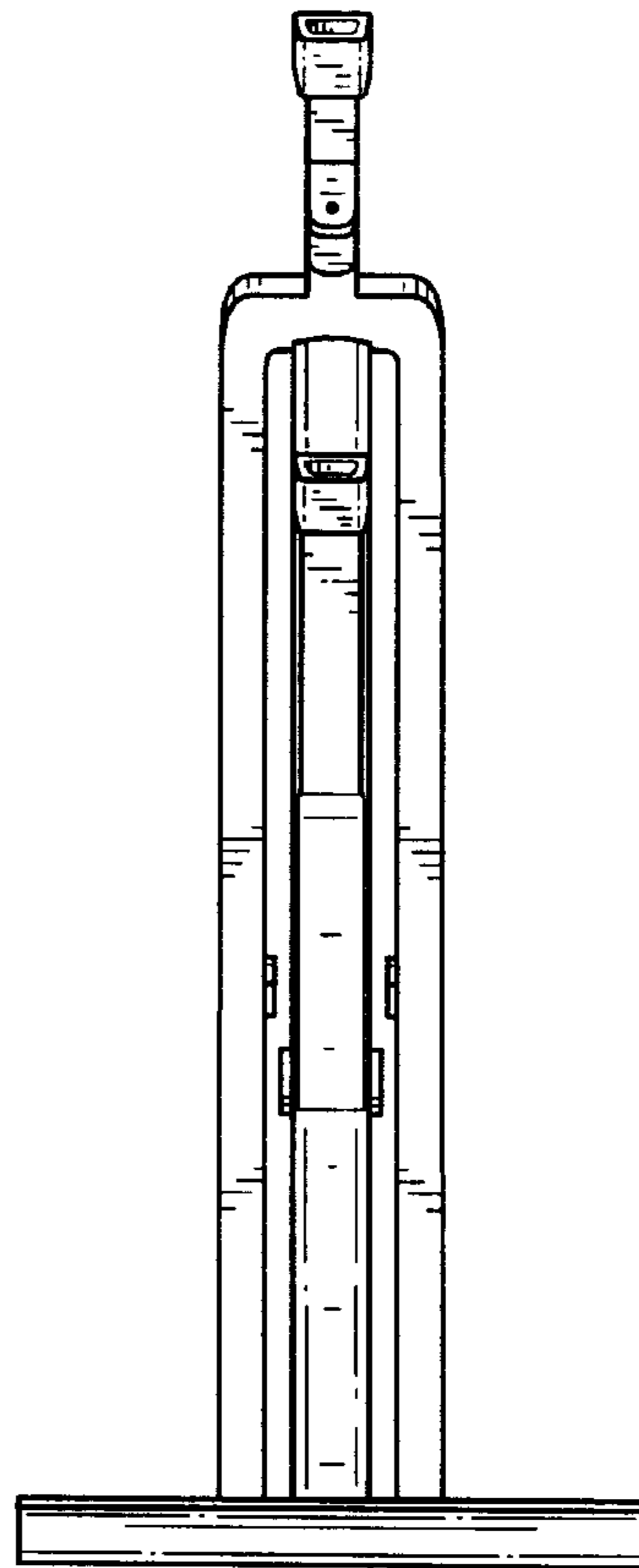


FIG. 3

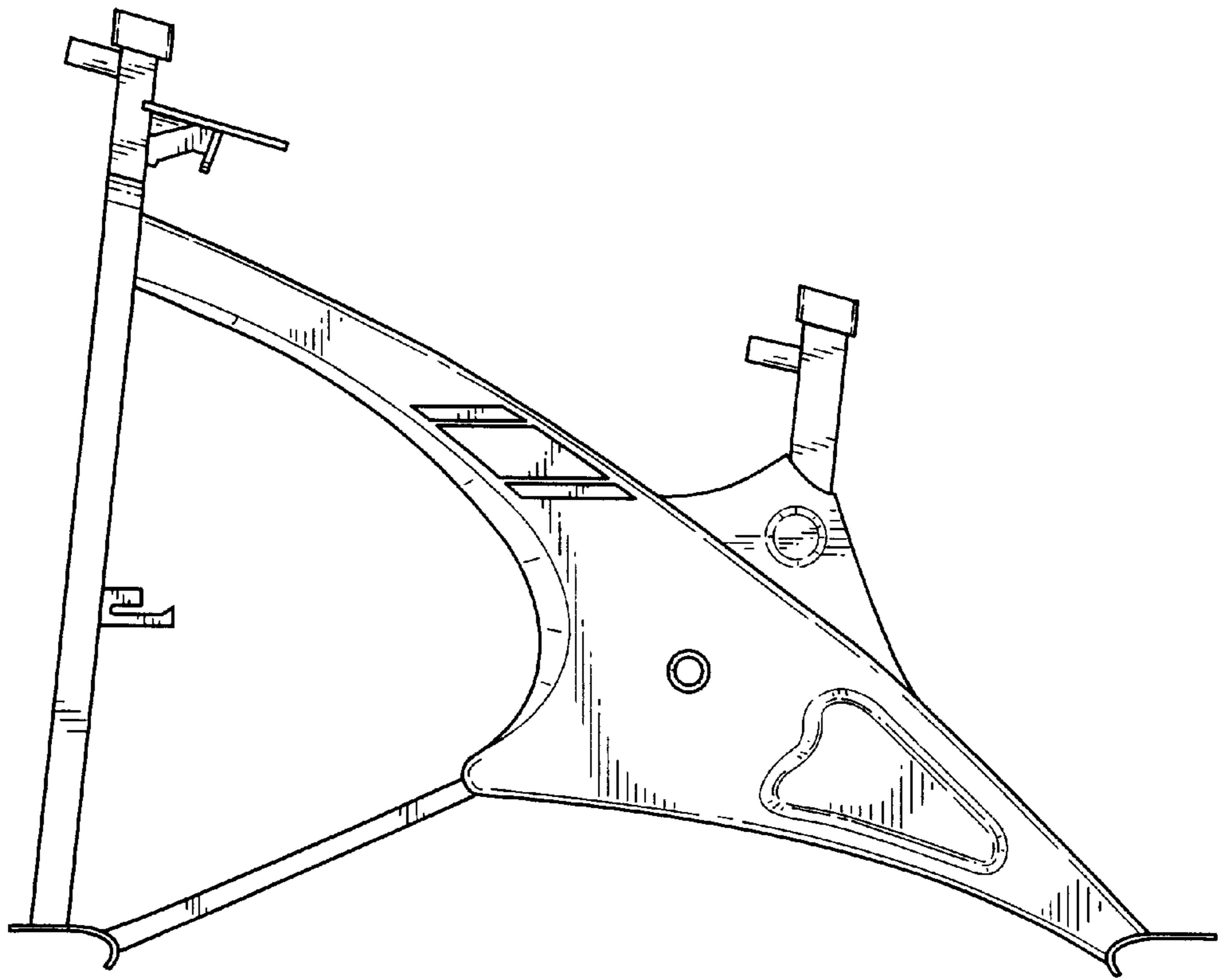


FIG. 4

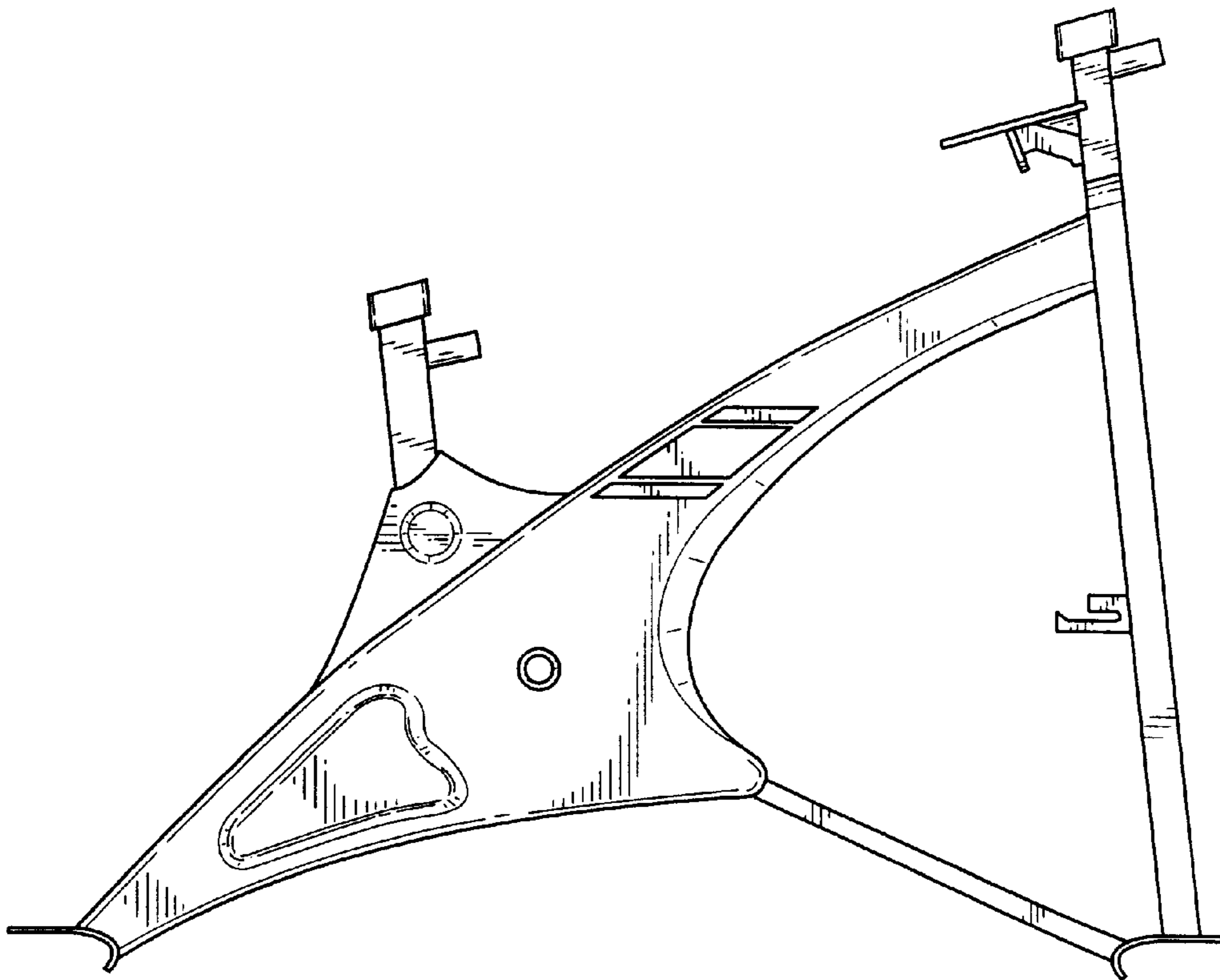


FIG. 5

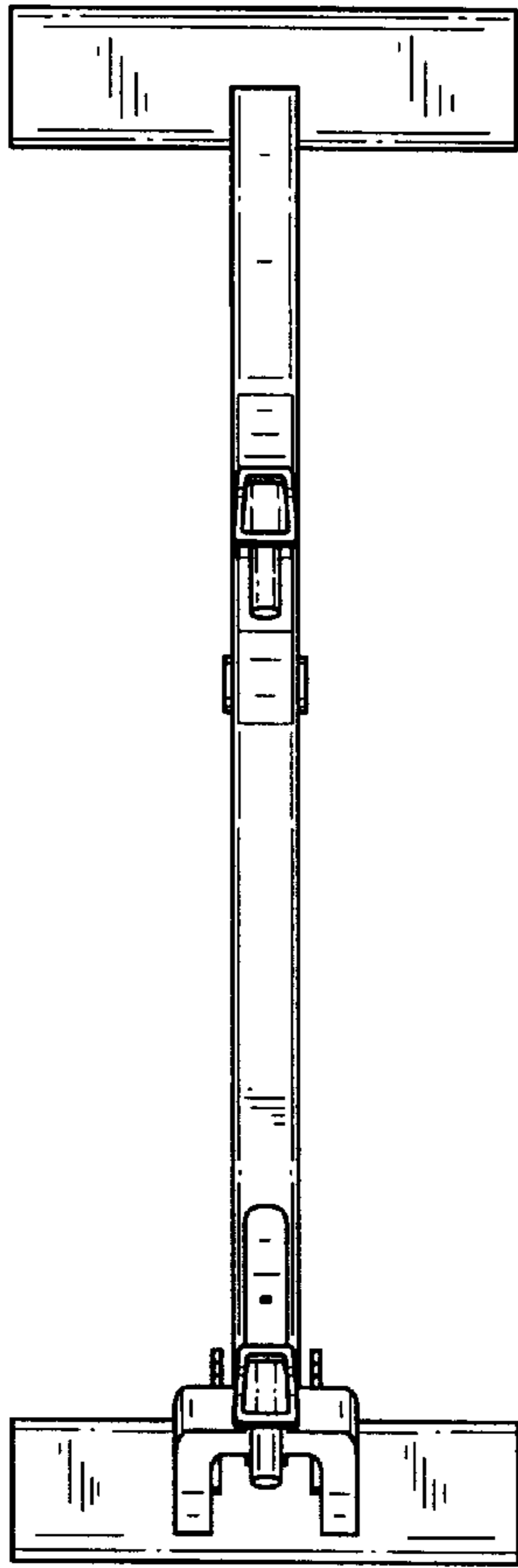


FIG. 6

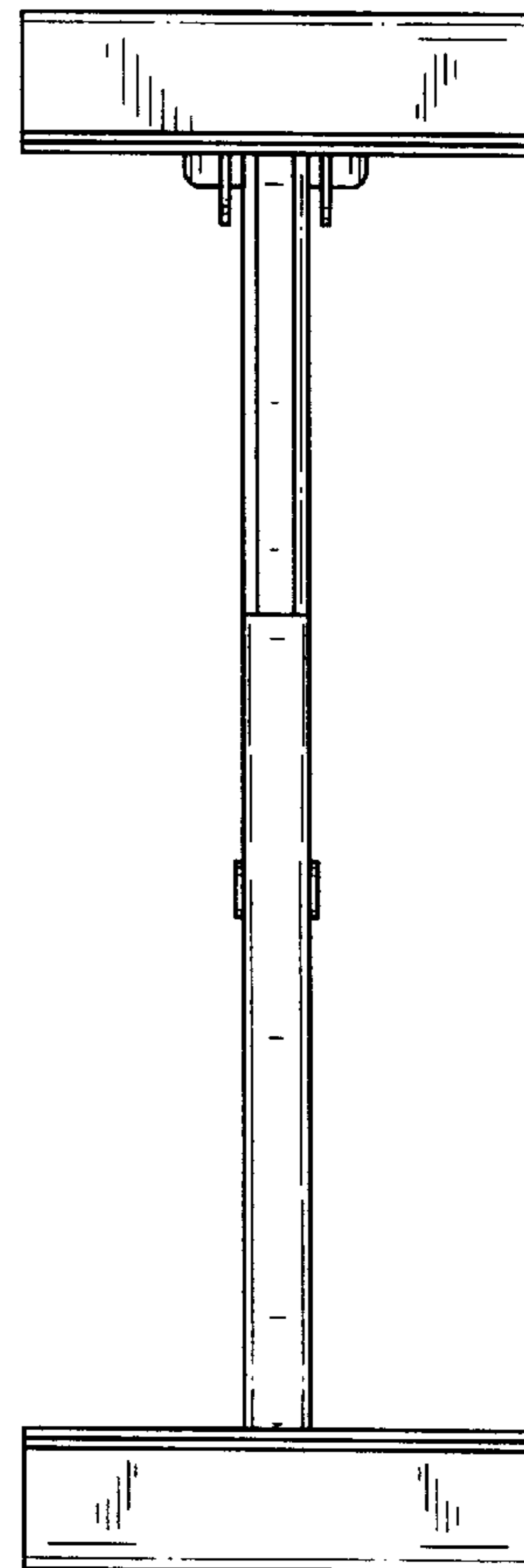


FIG. 7