



US00D460132S

(12) **United States Design Patent**  
**Asuncion, Jr. et al.**

(10) **Patent No.: US D460,132 S**

(45) **Date of Patent: \*\* Jul. 9, 2002**

(54) **HAND HELD EXERCISE DEVICE**

(76) Inventors: **Cecilio B Asuncion, Jr.; Erlinda Asuncion**, both of 1475 15th St., Los Osos, CA (US) 93402

(\*\*) Term: **14 Years**

(21) Appl. No.: **29/148,144**

(22) Filed: **Sep. 14, 2001**

(51) **LOC (7) Cl. .... 21-02**

(52) **U.S. Cl. .... D21/684; D21/662**

(58) **Field of Search .... D21/662, 684, D21/692; 482/44, 45, 47, 49, 62, 126, 115, 118**

(56) **References Cited**

**U.S. PATENT DOCUMENTS**

D202,198 S	*	9/1965	Wilson	.....	D21/662
4,060,214 A		11/1977	Metcalf	.....	248/165
D250,782 S	*	1/1979	Gibson	.....	D21/684
D253,903 S		1/1980	Gibson	.....	D21/684
4,257,588 A		3/1981	Ketchman	.....	482/62
4,521,012 A	*	6/1985	Cosby et al.	.....	482/112
5,167,596 A	*	12/1992	Ferber	.....	482/114

5,178,589 A	*	1/1993	Wilson et al.	.....	482/57
5,536,223 A		7/1996	Ferber	.....	482/46
D397,174 S	*	8/1998	Sandoval	.....	D21/681
5,820,521 A		10/1998	Edwards et al.	.....	482/44
D409,696 S	*	5/1999	Sandoval	.....	D21/681
5,989,162 A		11/1999	Daniels	.....	482/62
6,139,476 A	*	10/2000	Gallant	.....	482/114

\* cited by examiner

*Primary Examiner*—Philip S. Hyder

(57) **CLAIM**

The ornamental design for a hand held exercise device, as shown and described.

**DESCRIPTION**

FIG. 1 is a front elevational view of the hand held exercise device of the present invention, the rear view being a mirror image thereof;

FIG. 2 is a left side elevational view of the hand held exercise device of FIG. 1, the right view being a mirror image thereof; and,

FIG. 3 is a bottom plan view of the hand held exercise device of FIG. 1, the top view being a mirror image thereof.

**1 Claim, 1 Drawing Sheet**

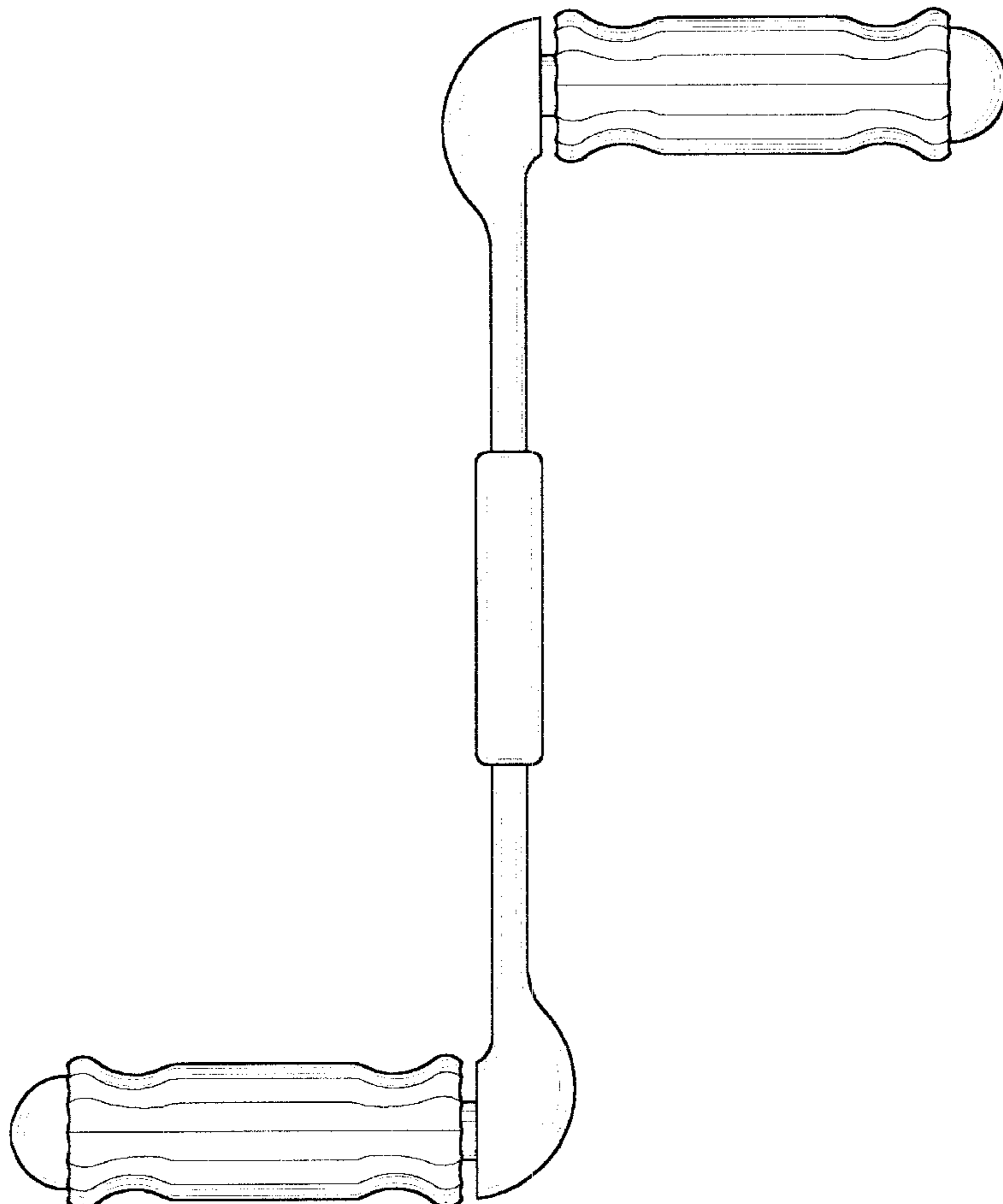


FIG. 1

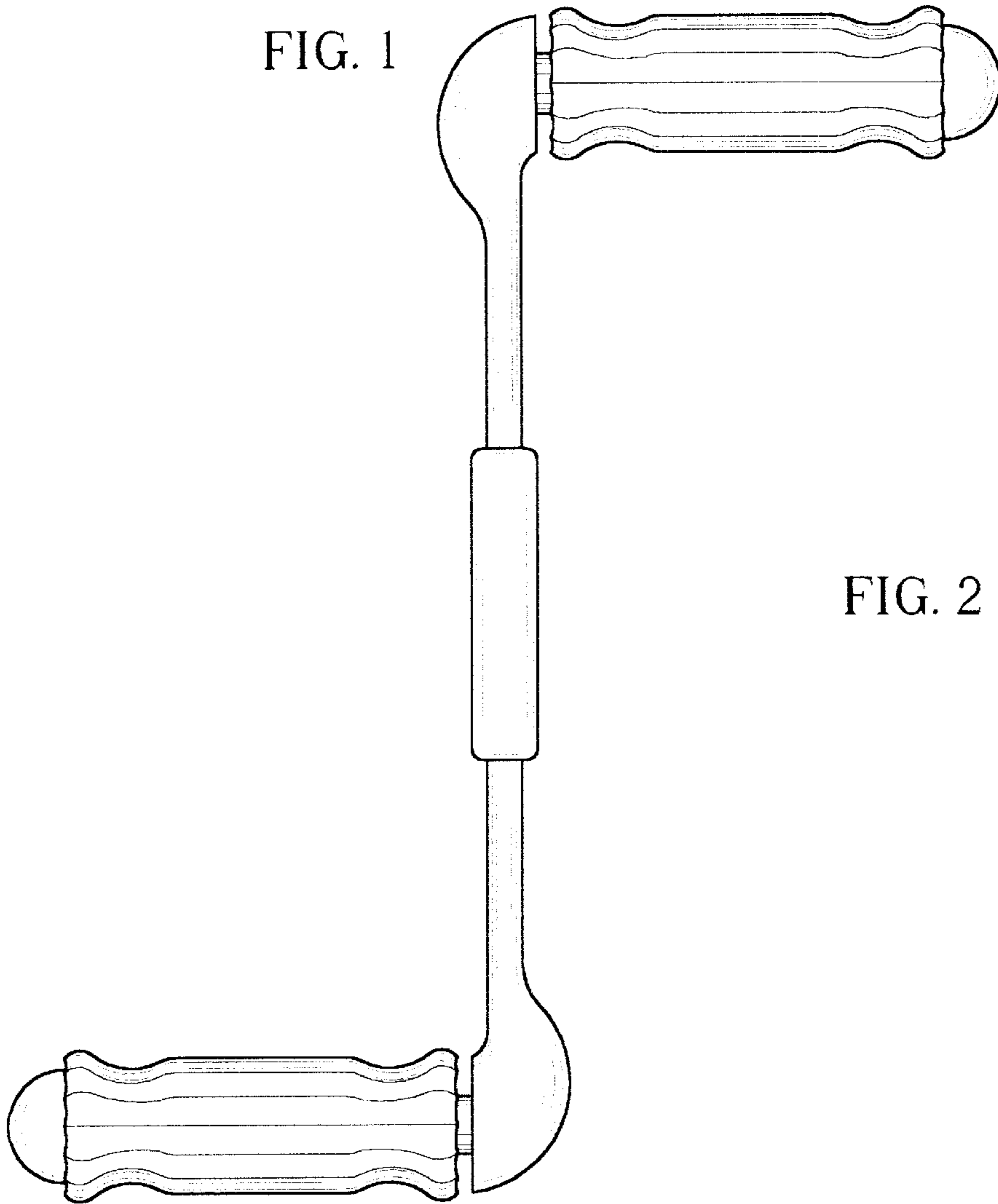


FIG. 2

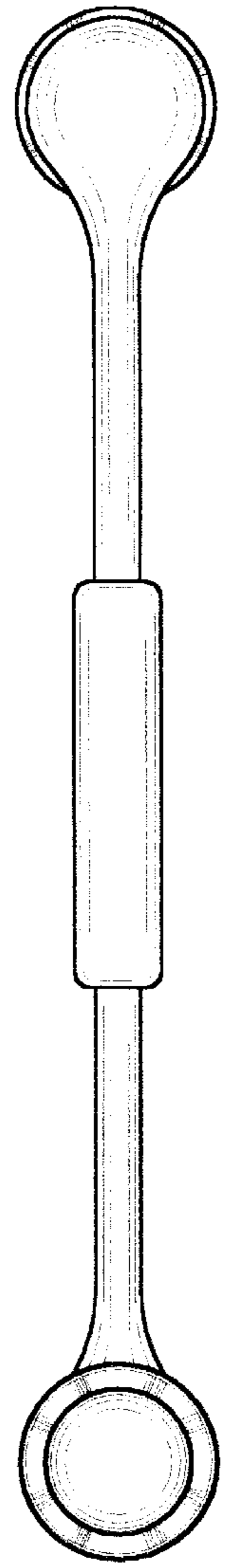


FIG. 3

