



US00D460128S

(12) **United States Design Patent**
Rosen

(10) **Patent No.:** **US D460,128 S**

(45) **Date of Patent:** **** Jul. 9, 2002**

(54) **JEWEL SETTING CRAFT TOY**

2,602,986 A * 7/1952 Centini et al. 29/10
3,766,809 A * 10/1973 Schneider 81/7

(75) Inventor: **Lawrence Rosen**, Mendham, NJ (US)

* cited by examiner

(73) Assignee: **Rose Art Industries, Inc.**, Livingston, NJ (US)

Primary Examiner—Raphael Barkai
(74) *Attorney, Agent, or Firm*—Allen N. Friedman; McCarter & English, LLP

(**) Term: **14 Years**

(57) **CLAIM**

(21) Appl. No.: **29/136,104**

I claim a jewel setting craft toy, as shown and described.

(22) Filed: **Jan. 25, 2001**

DESCRIPTION

(51) **LOC (7) Cl.** **21-01**

(52) **U.S. Cl.** **D21/483**

(58) **Field of Search** D21/378, 483,
D21/527, 528; D8/14, 51; D18/15; D15/128,
123; 29/10; 81/7

FIG. 1 is a perspective view of an article of the invention;
FIG. 2 is a front elevational view of an article of the invention;
FIG. 3 is a rear elevational view of an article of the invention;
FIG. 4 is a left elevational view of an article of the invention;
FIG. 5 is a plan view of an article of the invention; and,
FIG. 6 is a left elevational view of an article of the invention,
with the handle in an alternate position.

(56) **References Cited**

U.S. PATENT DOCUMENTS

245,715 A * 8/1881 Hagerty 29/10
D114,149 S * 4/1939 Jackson et al. D18/15

1 Claim, 6 Drawing Sheets

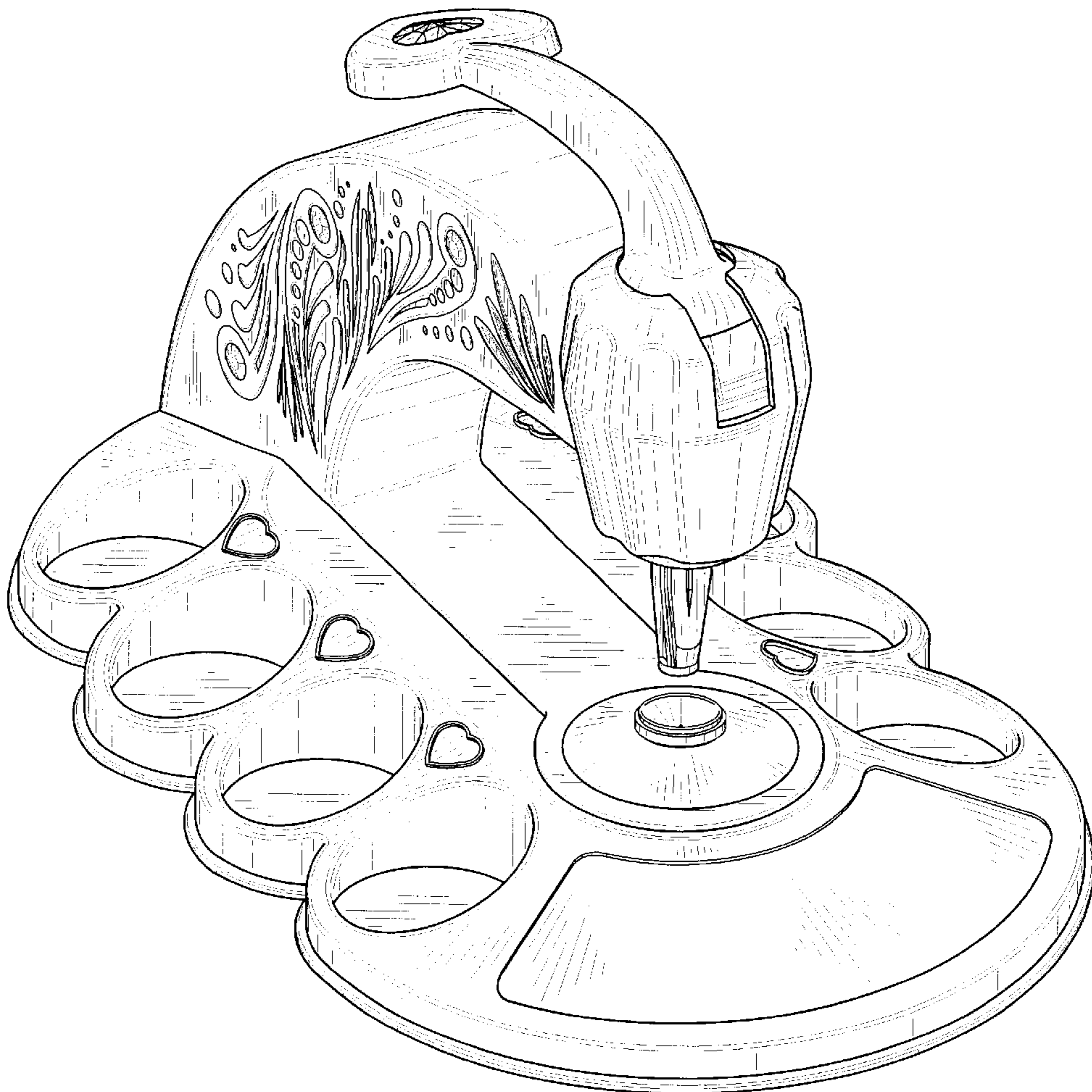


FIG. 1

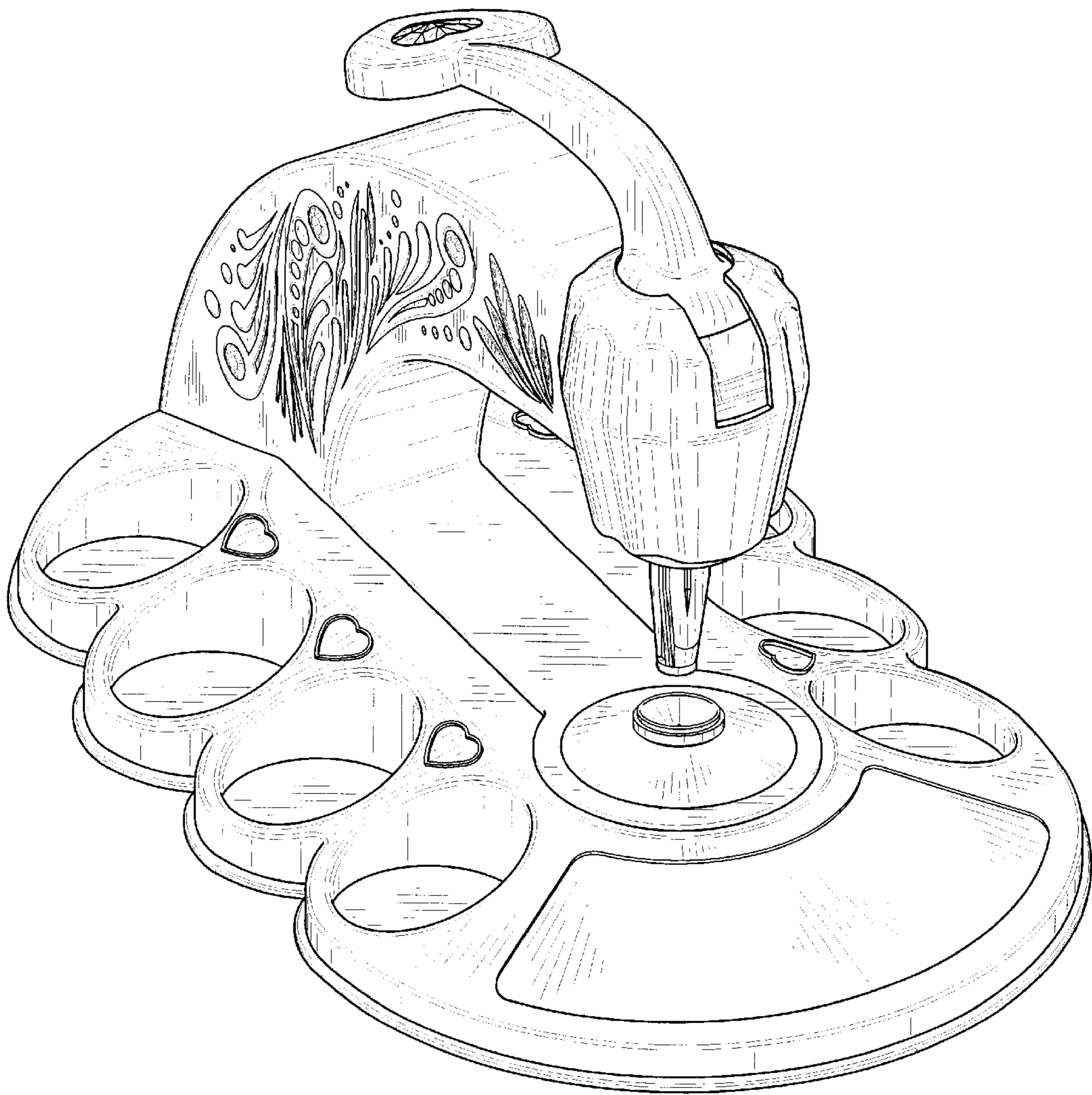


FIG. 2

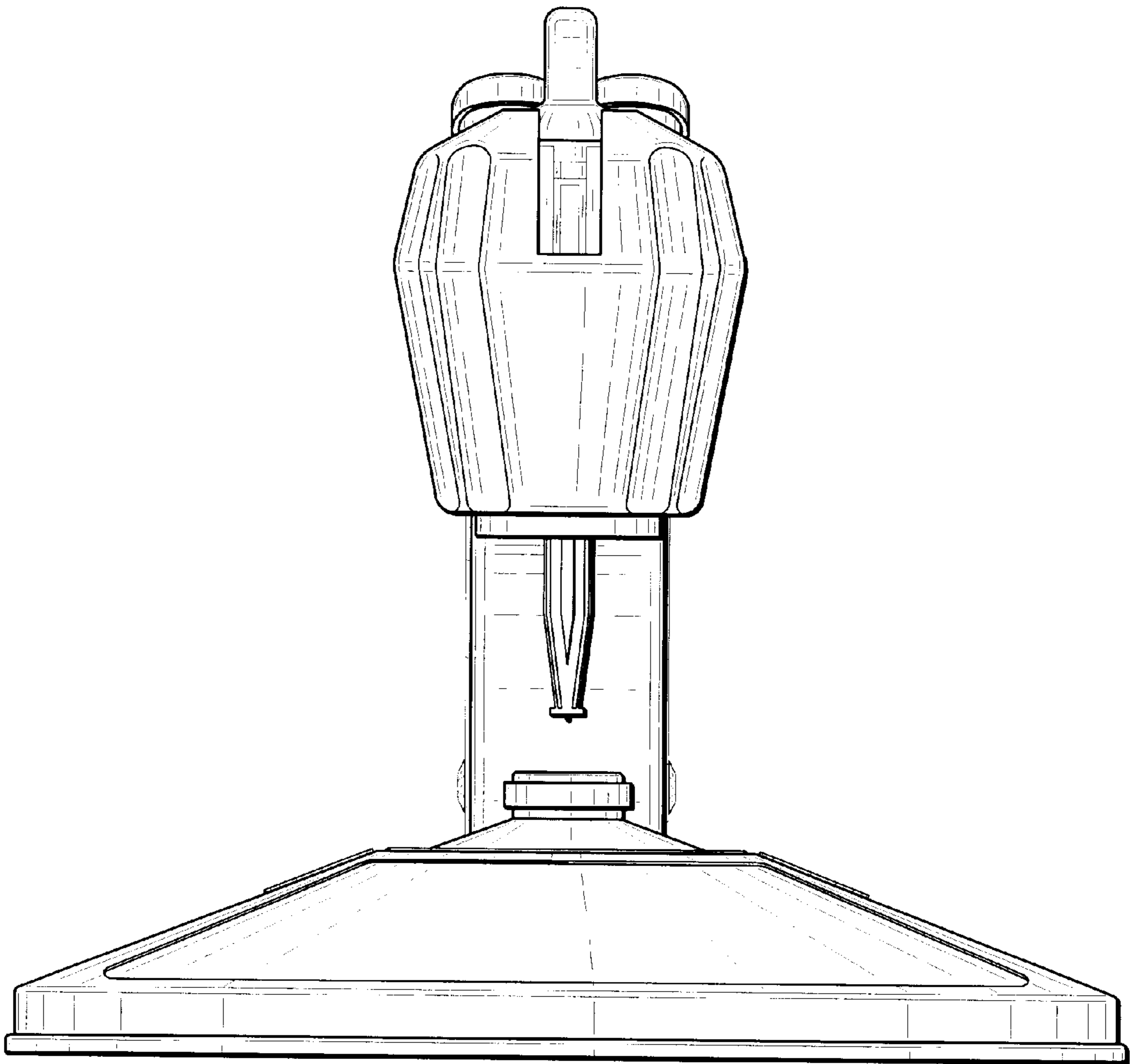


FIG. 3

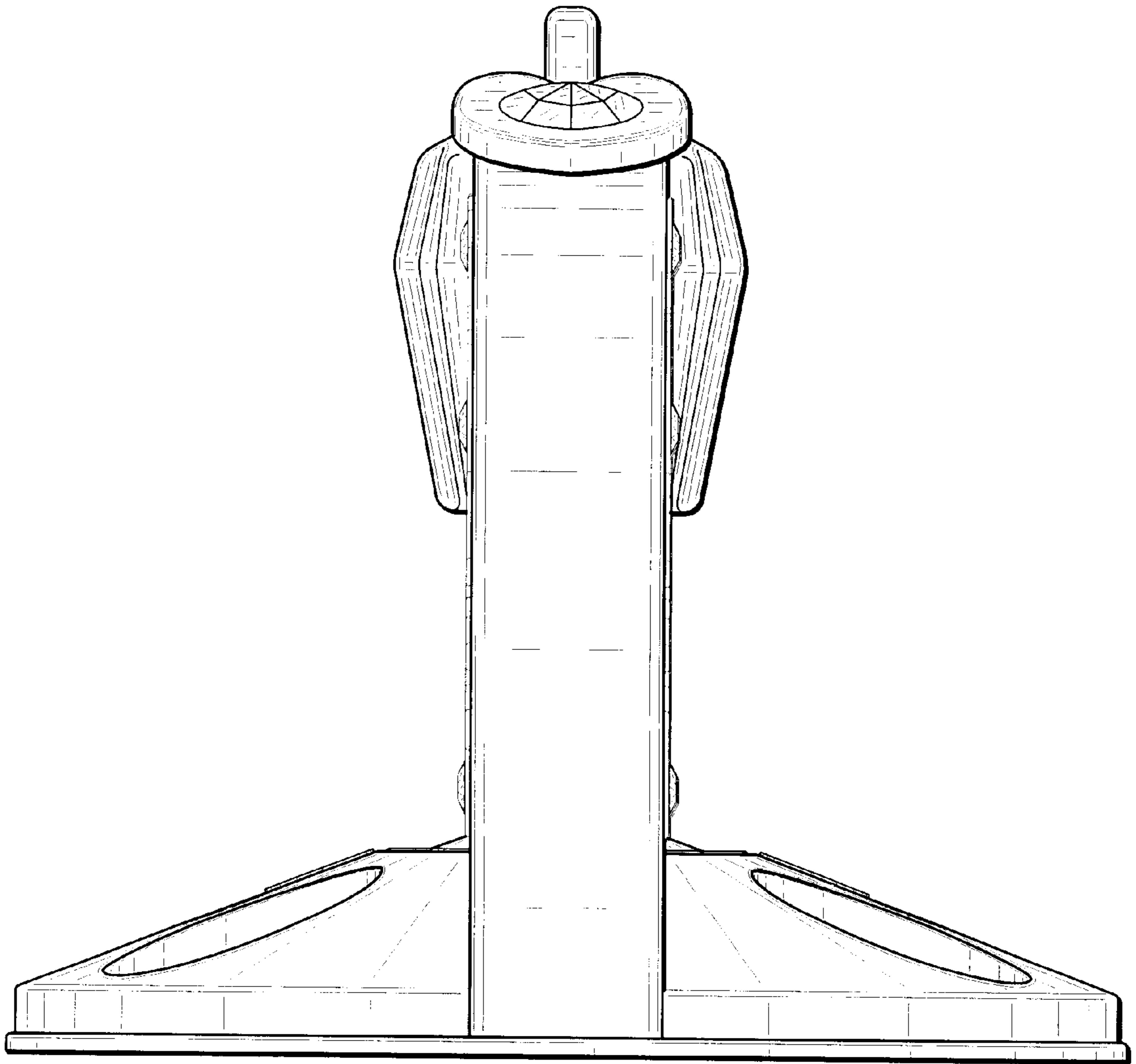


FIG. 4

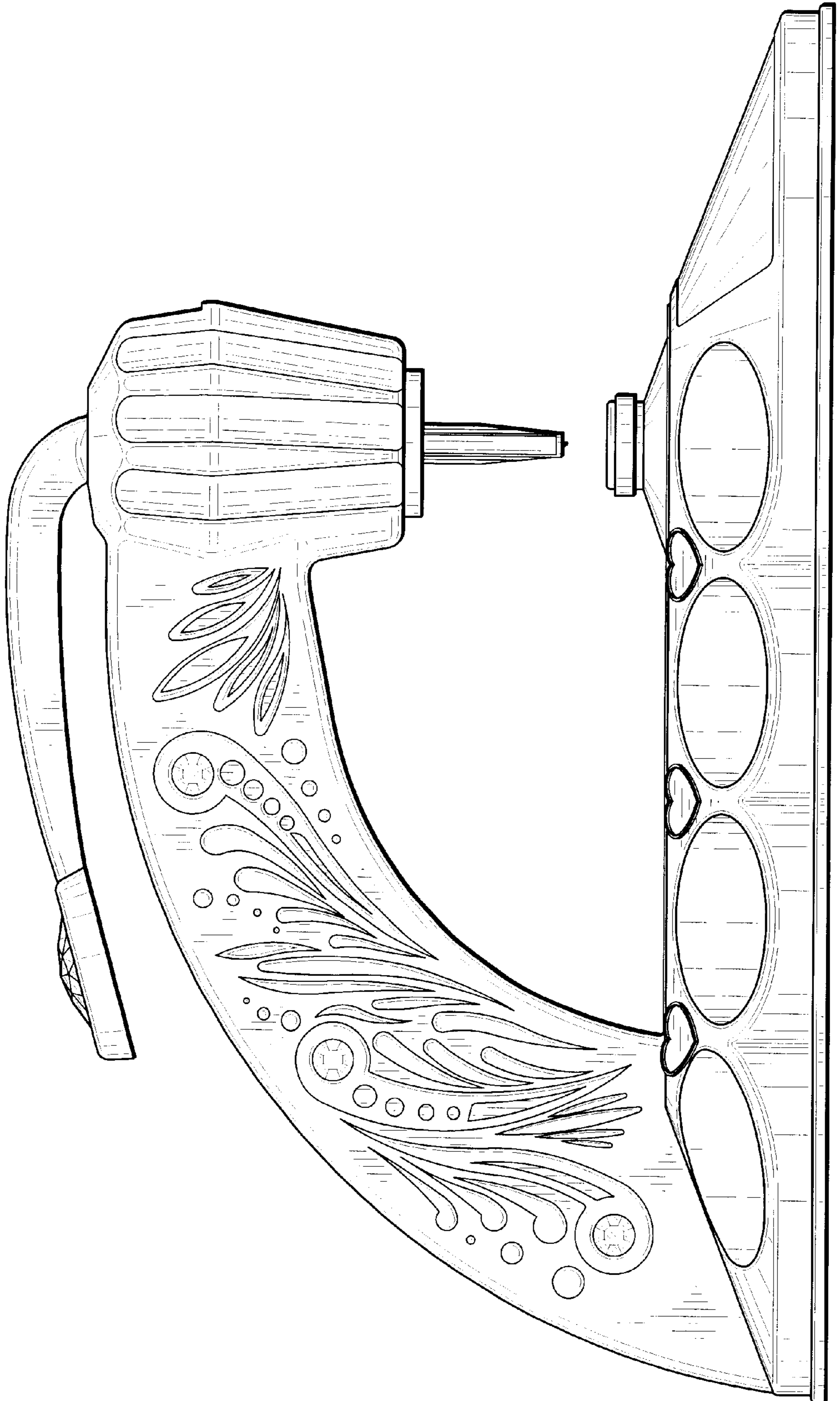


FIG. 5

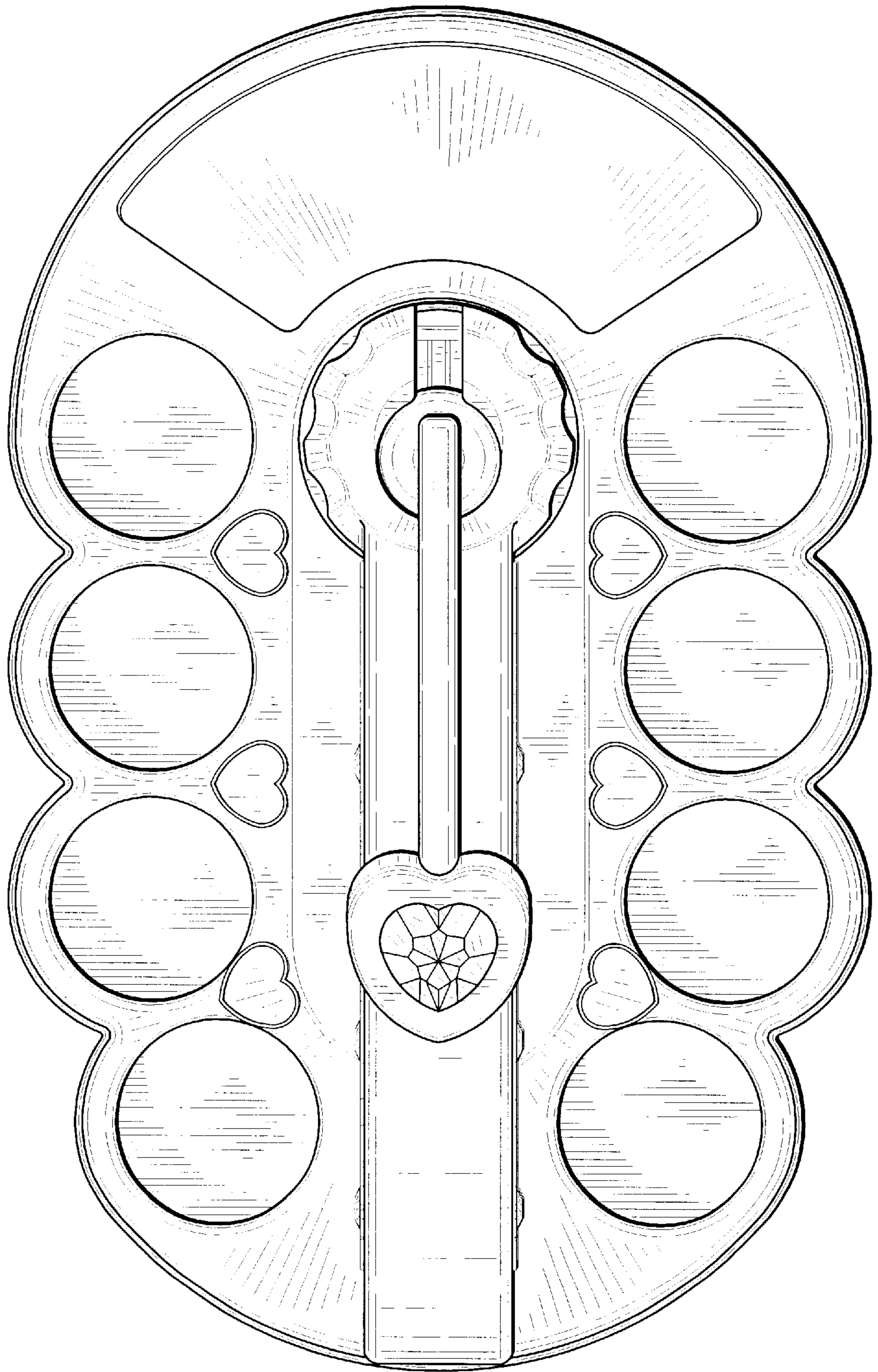


FIG. 6

