



US00D460125S

(12) **United States Design Patent**
Wang

(10) **Patent No.:** **US D460,125 S**

(45) **Date of Patent:** **** Jul. 9, 2002**

- (54) **KITE**
- (75) Inventor: **Jung-Yuan (Jay) Wang**, Mississauga (CA)
- (73) Assignee: **Itemax International, Inc.**, Mississauga (CA)
- (**) Term: **14 Years**
- (21) Appl. No.: **29/132,799**
- (22) Filed: **Nov. 16, 2000**
- (51) **LOC (7) Cl.** **21-02**
- (52) **U.S. Cl.** **D21/445**
- (58) **Field of Search** D21/443, 445, D21/446; 244/153 R, 154, 155, 153 A

- D428,451 S * 7/2000 Wang D21/453
- D432,187 S * 10/2000 Wang D21/445
- D443,902 S * 6/2001 Wang D21/445

* cited by examiner

Primary Examiner—Dominic Simone
(74) *Attorney, Agent, or Firm*—Bereskin & Parr

(57) **CLAIM**

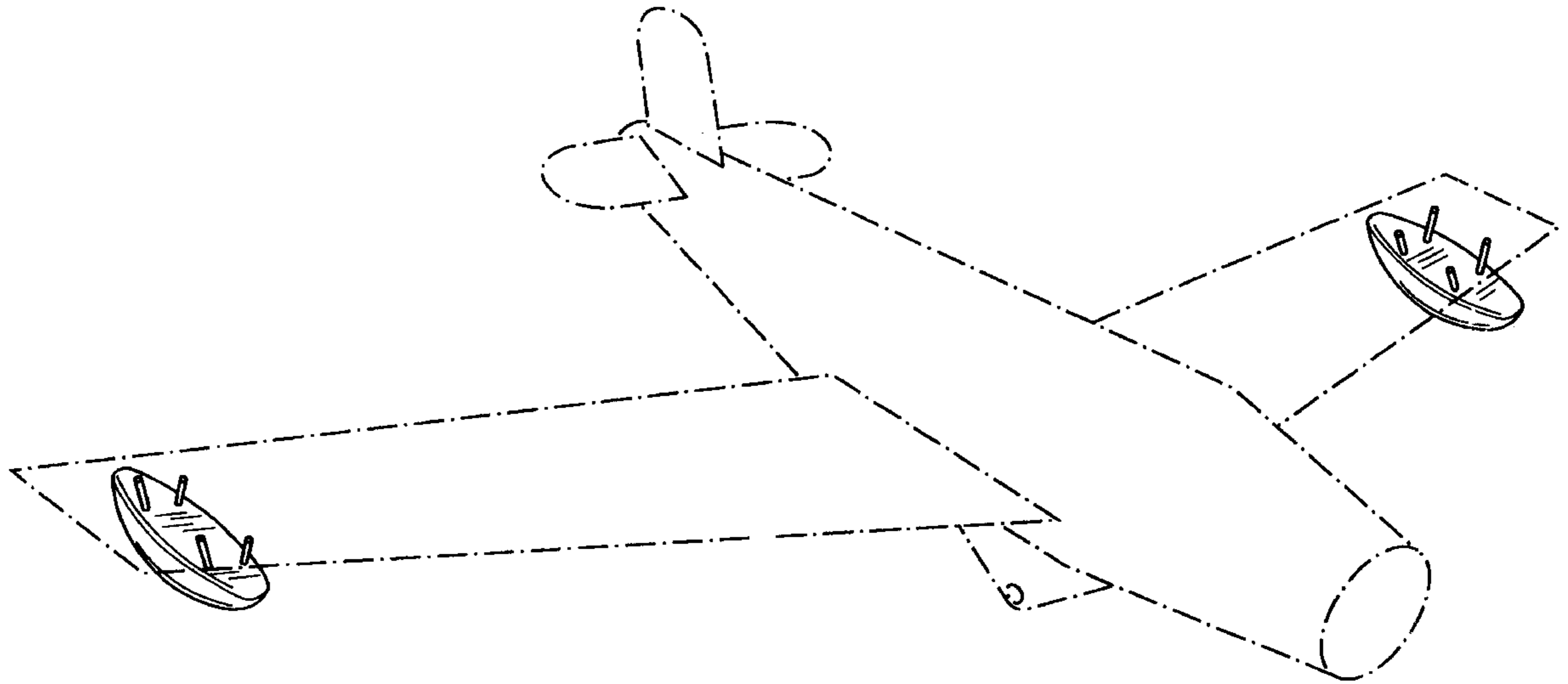
The ornamental design for a kite, as shown and described.

DESCRIPTION

FIG. 1 is a top, left isometric view of a kite showing my new design;
 FIG. 2 is a right side elevational view thereof;
 FIG. 3 is a left side elevational view thereof;
 FIG. 4 is a front elevational view thereof;
 FIG. 5 is a rear elevational view thereof;
 FIG. 6 is a top plan view thereof; and,
 FIG. 7 is a bottom plan view thereof.
 The portion of the kite shown in broken lines is for illustrative purposes only and forms no part of the claimed design.

- (56) **References Cited**
- U.S. PATENT DOCUMENTS
- D168,383 S * 12/1952 Smith D21/445
- D223,716 S * 5/1972 Choong D21/445
- D407,126 S * 3/1999 Wang D21/445
- D428,071 S * 7/2000 Wang D21/453
- D428,072 S * 7/2000 Wang D21/453

1 Claim, 7 Drawing Sheets



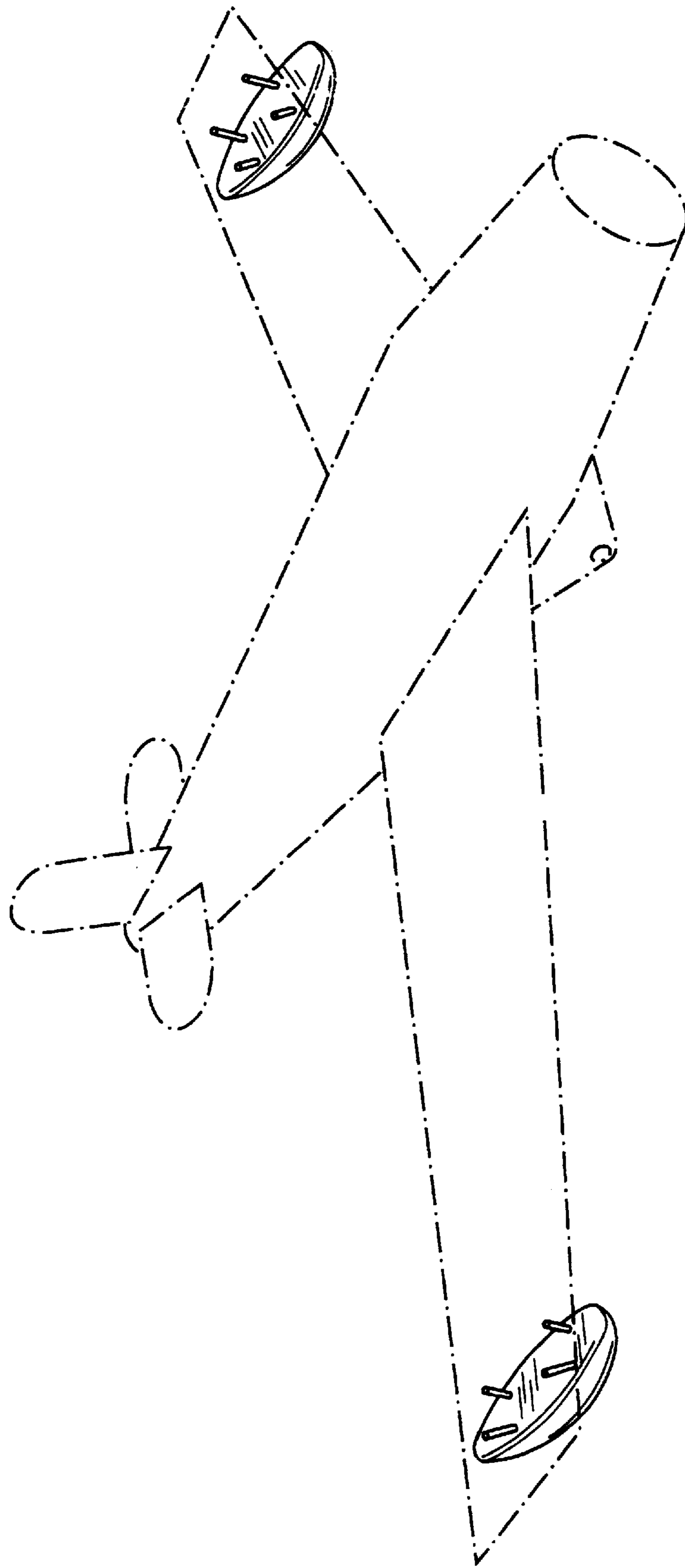


FIG. 1

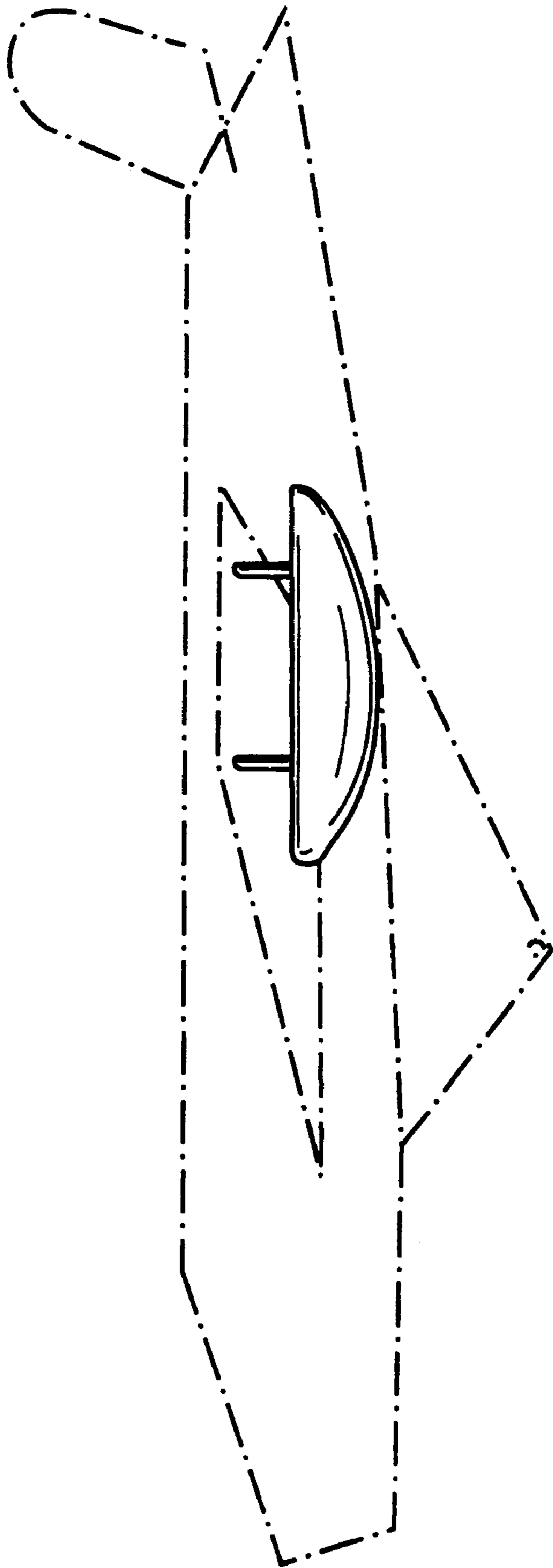


FIG. 2

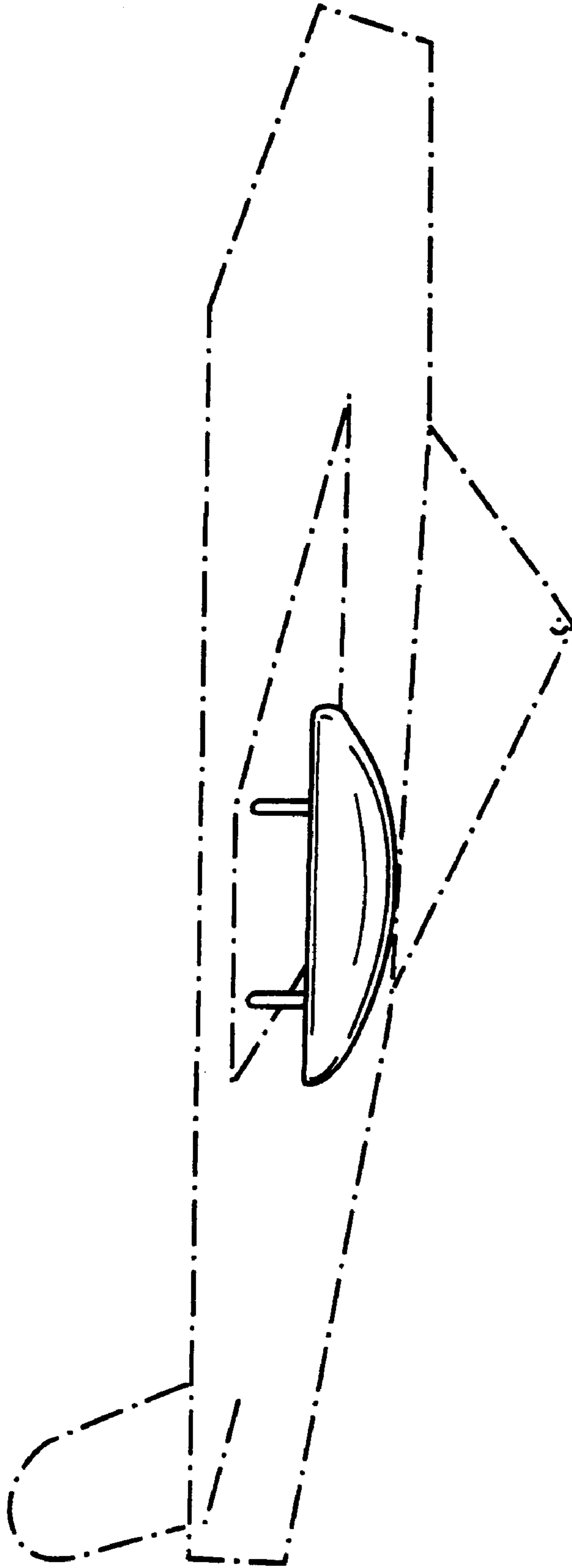


FIG. 3

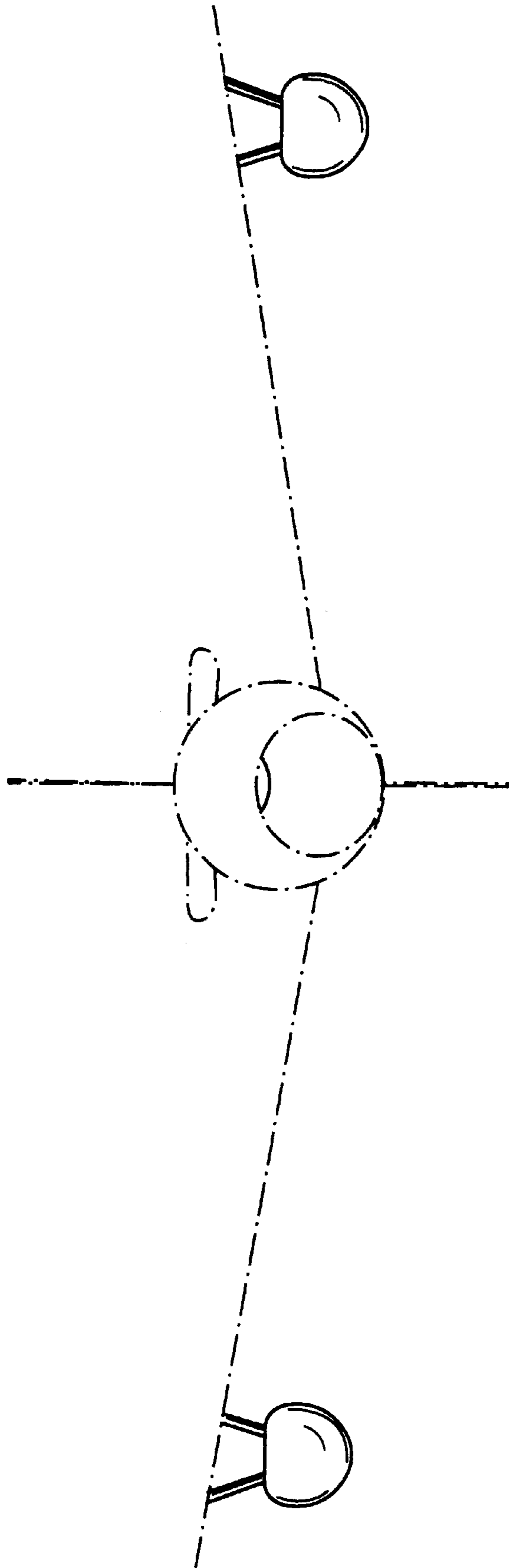


FIG. 4

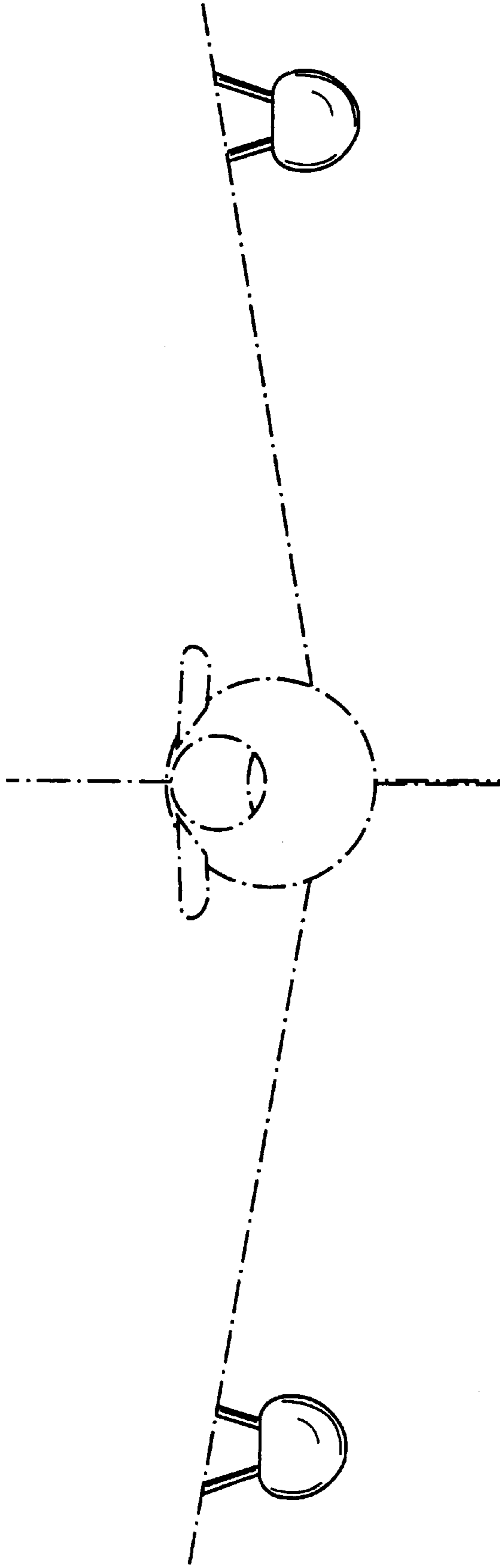


FIG. 5

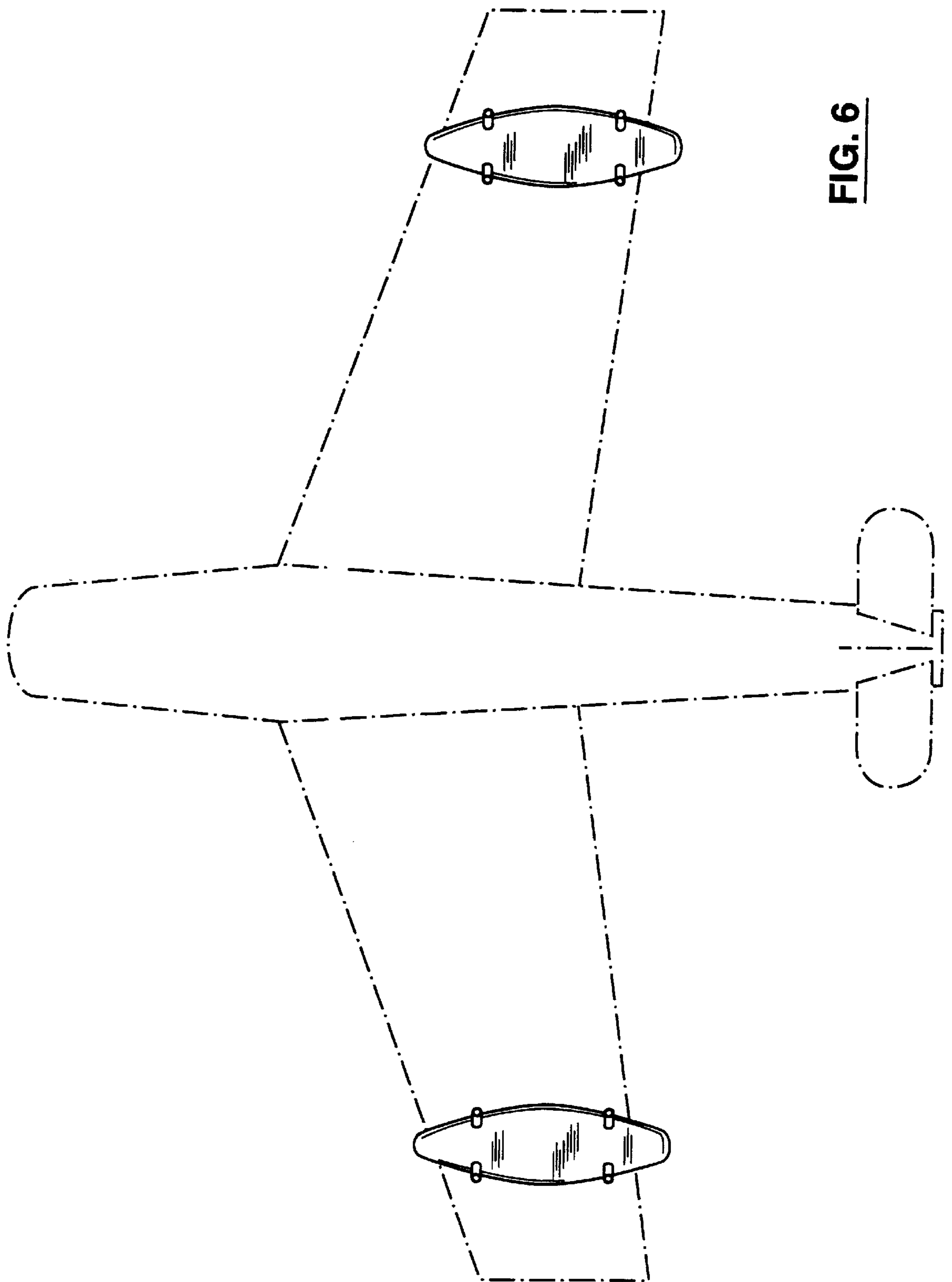


FIG. 6

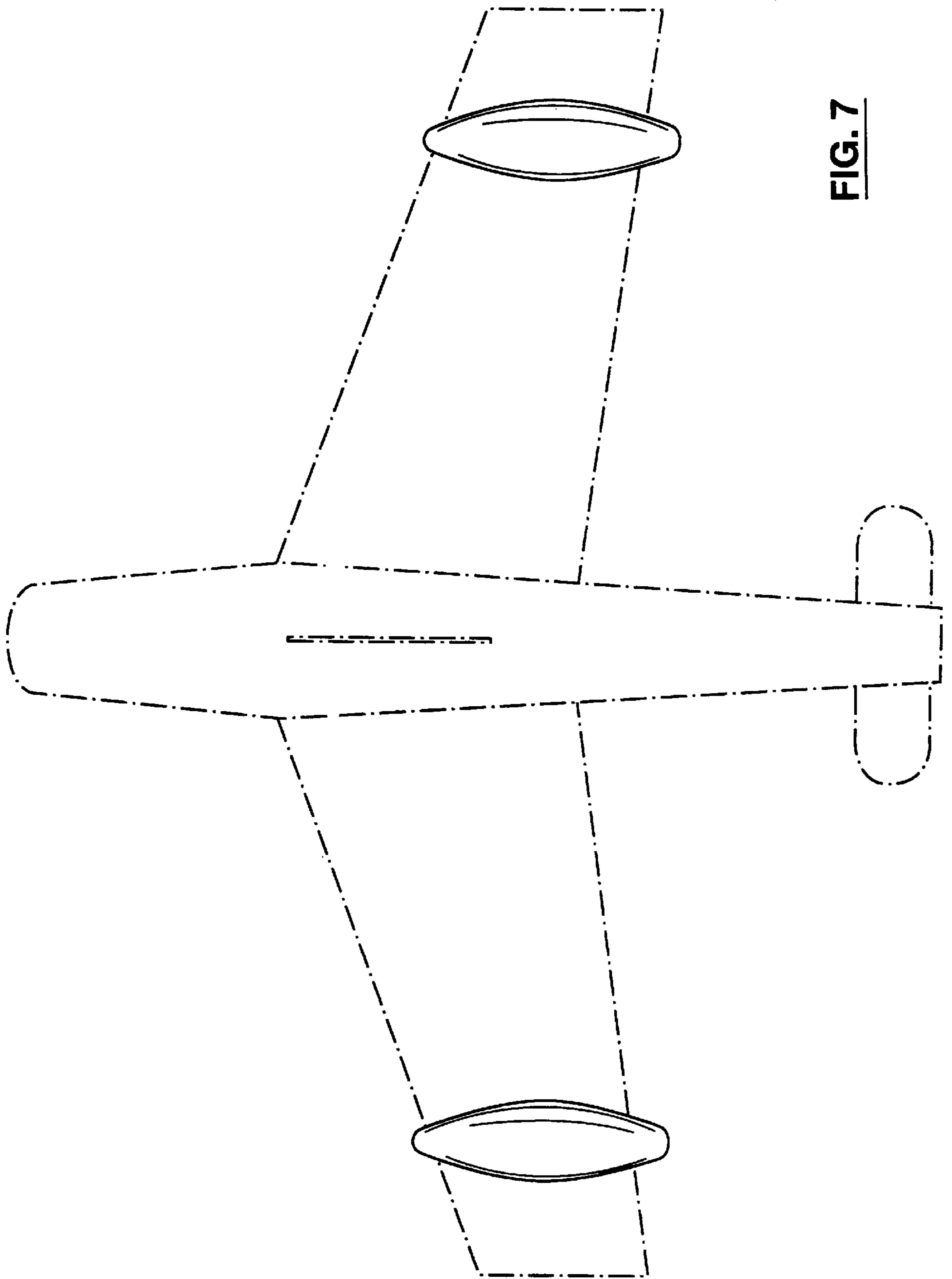


FIG. 7