



US00D460123S

(12) **United States Design Patent**  
**Seelig et al.**

(10) **Patent No.:** **US D460,123 S**

(45) **Date of Patent:** **\*\* Jul. 9, 2002**

(54) **GAMING DEVICE DISPLAY**

(75) Inventors: **Jerald C. Seelig**, Absecon; **Lawrence M. Henshaw**, Hammonton, both of NJ (US)

(73) Assignee: **Atlantic City Coin & Slot Service Company, Inc.**, Pleasantville, NJ (US)

(\*\*) Term: **14 Years**

(21) Appl. No.: **29/144,218**

(22) Filed: **Jun. 27, 2001**

(51) **LOC (7) Cl.** ..... **21-03**

(52) **U.S. Cl.** ..... **D21/370; D21/372; D21/385**

(58) **Field of Search** ..... D21/369–375, D21/385, 386; 273/138.1, 139, 144 B, 145 C; 463/13, 16, 17, 18, 22, 34, 46, 47; D26/136; D30/115

(56) **References Cited**

**U.S. PATENT DOCUMENTS**

- 171,707 A \* 1/1876 Walker ..... 273/145 C
- 1,371,194 A \* 3/1921 Bird ..... 273/144 B
- 2,249,079 A \* 7/1941 Garrett ..... 273/145 C
- D151,562 S \* 10/1948 Southwell ..... 273/145 C

- D163,946 S \* 7/1951 Greene ..... D22/136
- D169,744 S \* 6/1953 Frost ..... 273/145 C
- D177,326 S \* 4/1956 Herman ..... D30/115
- 4,699,382 A \* 10/1987 Kabana ..... 273/144 B
- D412,347 S \* 7/1999 DeSimone et al. .... D21/370

\* cited by examiner

*Primary Examiner*—Sandra L. Morris

(74) *Attorney, Agent, or Firm*—Ian F. Burns

(57) **CLAIM**

The ornamental design for a gaming device display, as shown and described.

**DESCRIPTION**

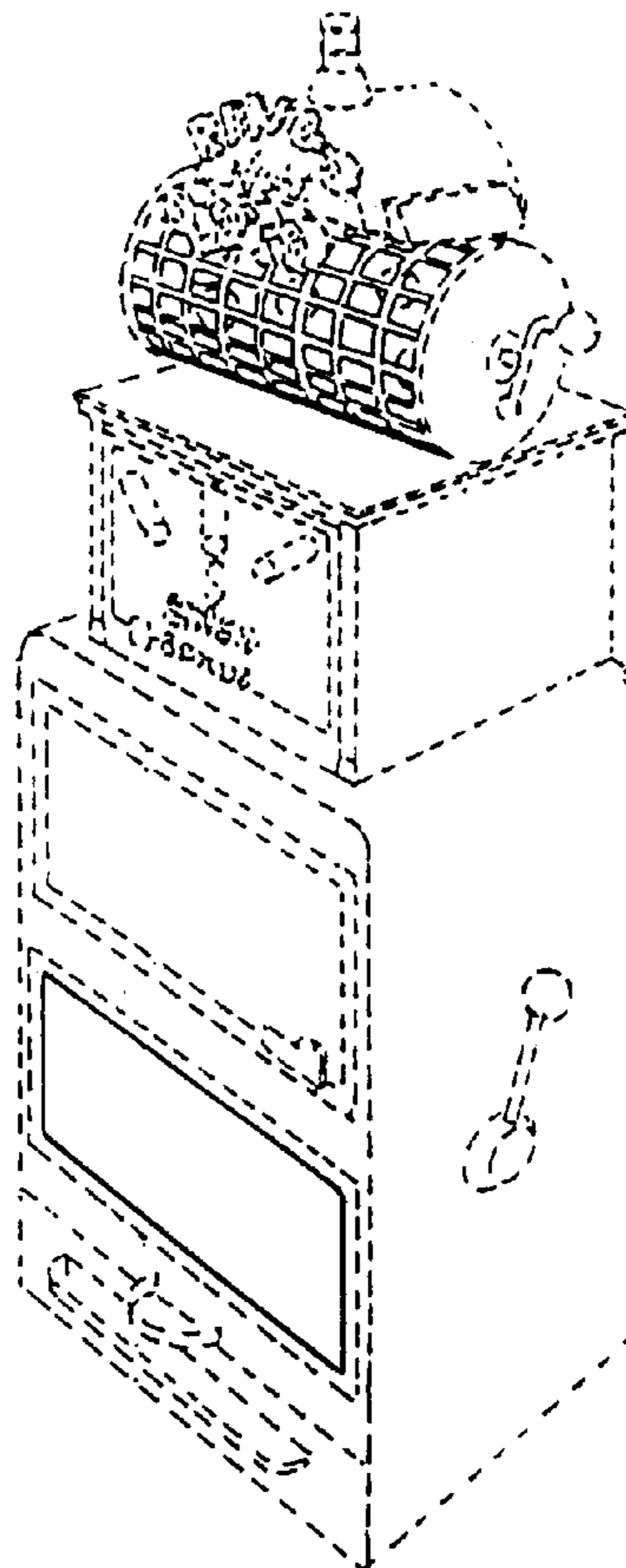
FIG. 1 is a perspective view of the gaming device display. FIG. 2 is a front elevational view of the gaming device display.

FIG. 3 is a rear elevational view of the gaming device display; and,

FIG. 4 is a top plan view of the gaming device display.

Broken lines showing the portions of the gaming device display on the exterior and interior of the display are for illustrative purposes only and form no part of the claimed design.

**1 Claim, 1 Drawing Sheet**



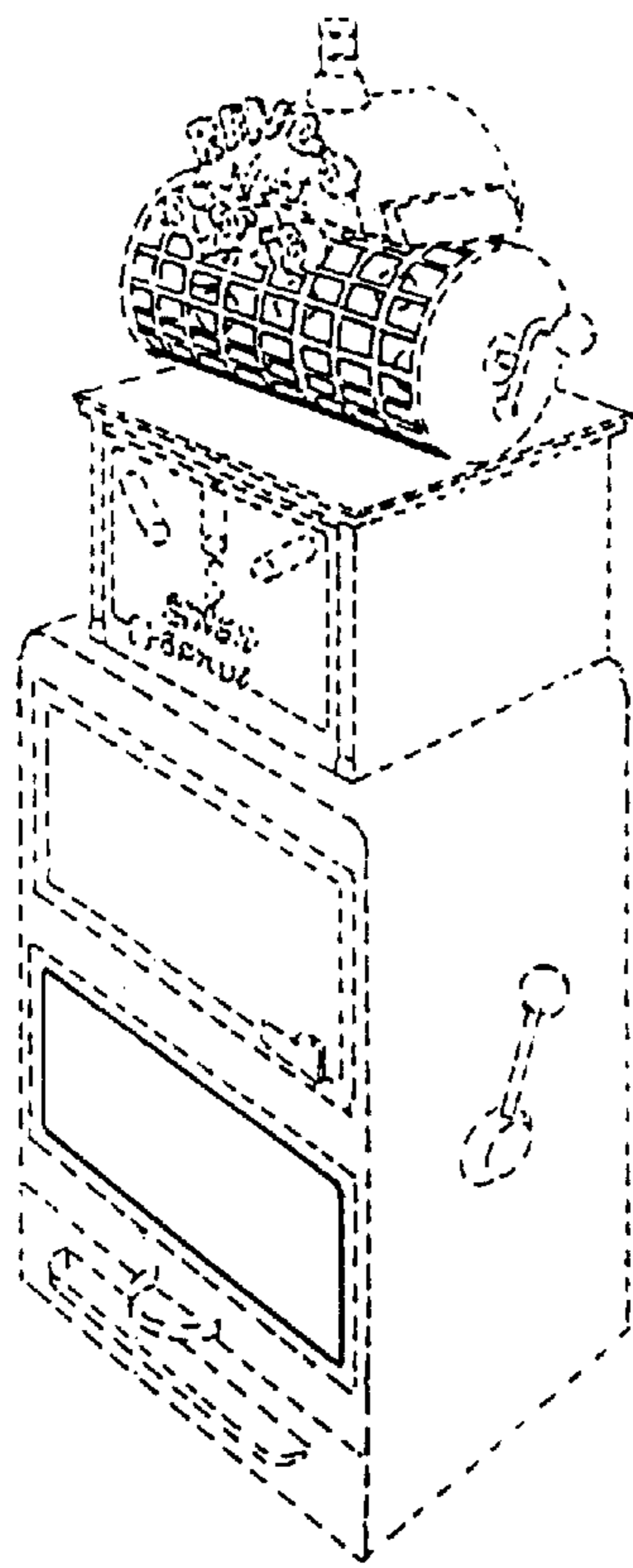


FIG. 1

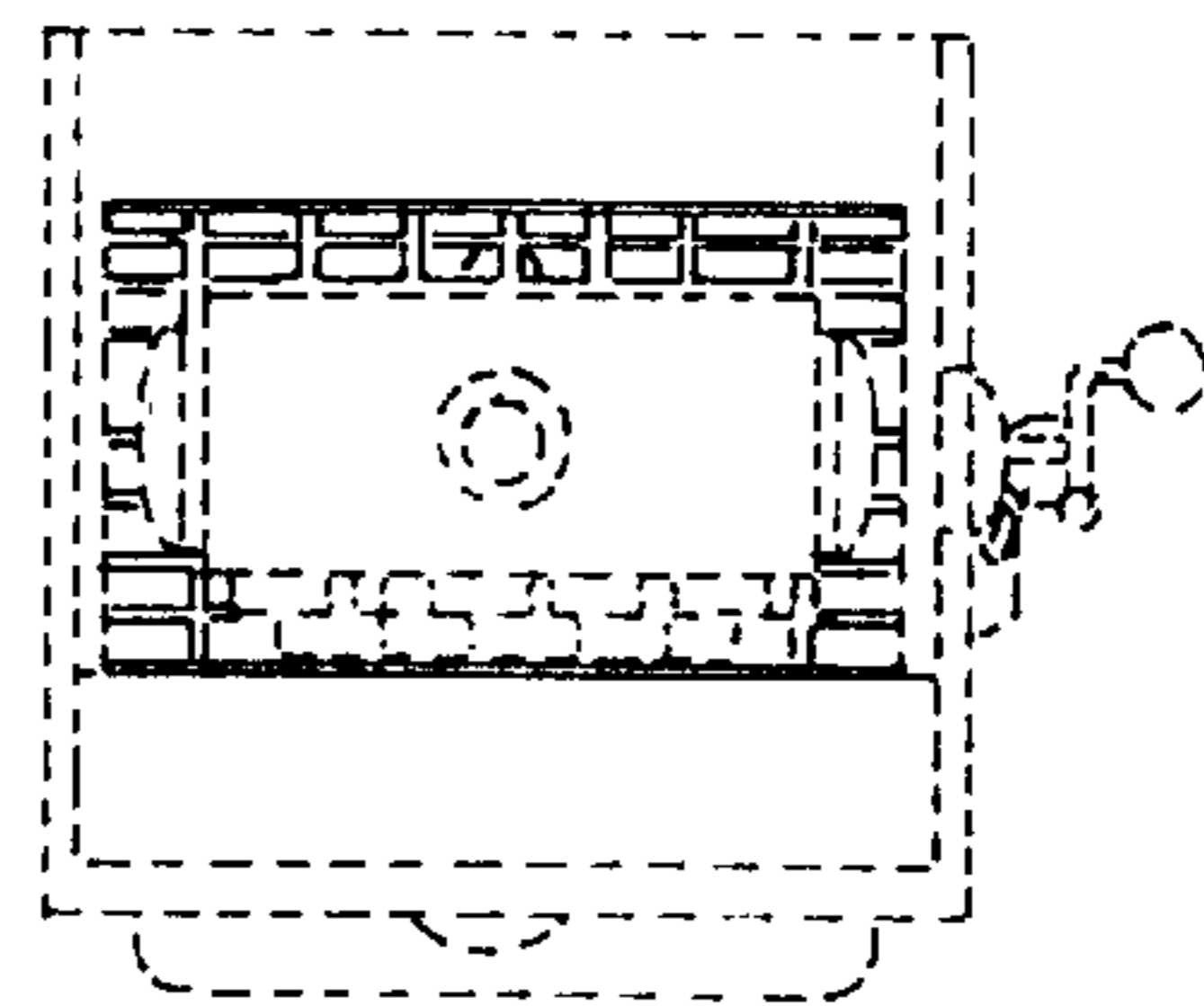


FIG. 4

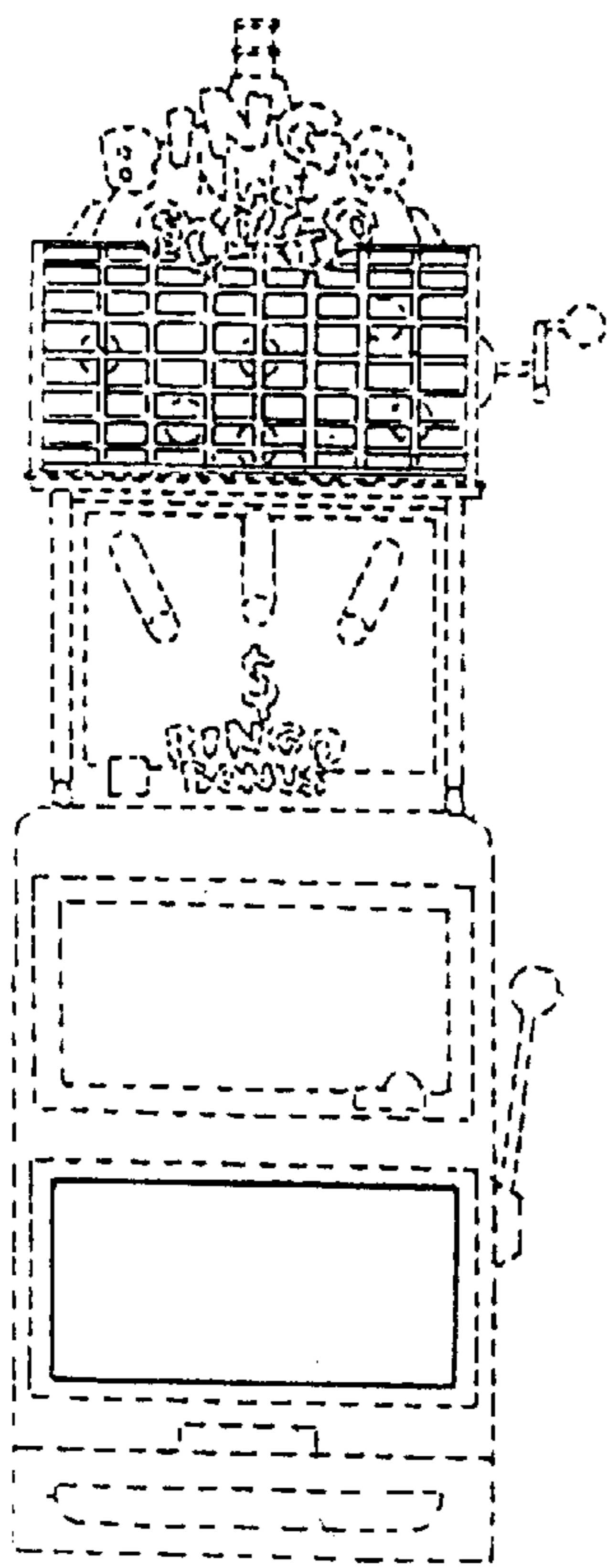


FIG. 2

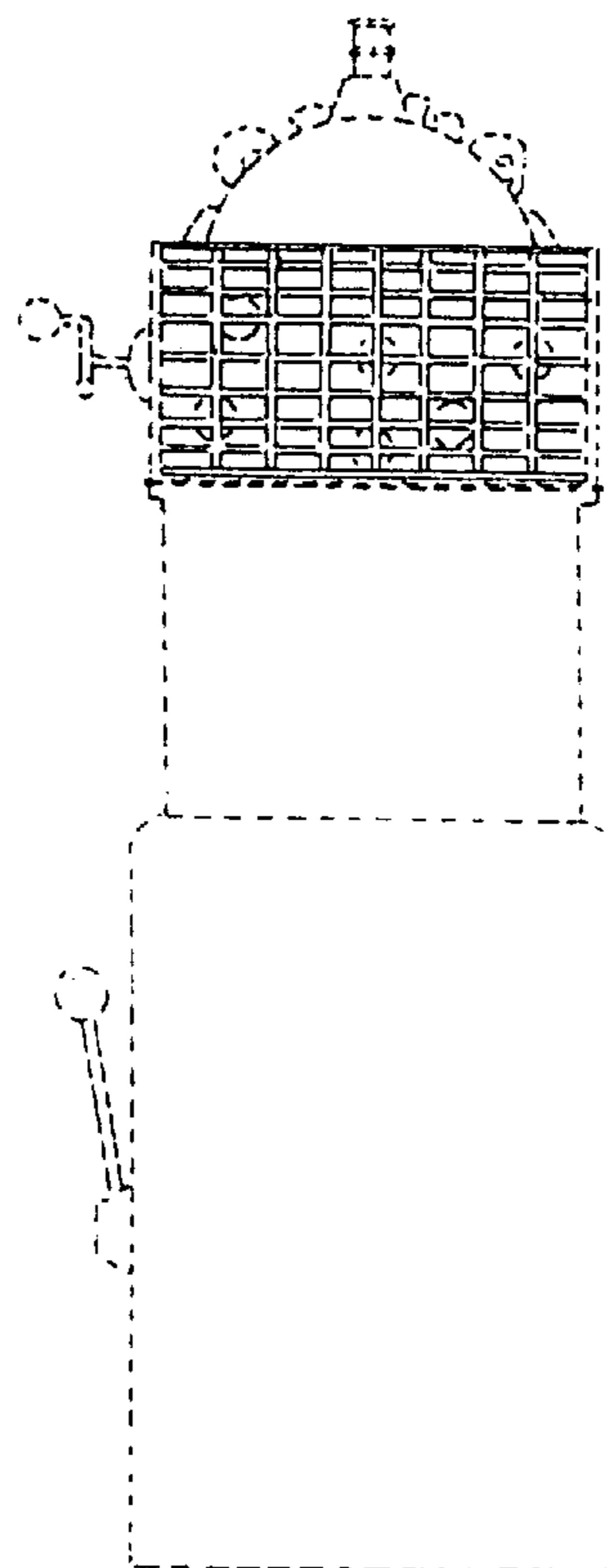


FIG. 3