



US00D460121S

(12) **United States Design Patent**
Furusato

(10) **Patent No.:** **US D460,121 S**

(45) **Date of Patent:** **** Jul. 9, 2002**

(54) **PORTABLE GAME MACHINE**

(75) Inventor: **Kenji Furusato**, Tokyo (JP)

(73) Assignee: **Konami Corporation**, Tokyo (JP)

(**) Term: **14 Years**

(21) Appl. No.: **29/133,939**

(22) Filed: **Dec. 11, 2000**

(30) **Foreign Application Priority Data**

Jun. 14, 2000 (JP) 2000-016017
Jun. 14, 2000 (JP) 2000-016018

(51) **LOC (7) Cl.** **21-01**

(52) **U.S. Cl.** **D21/329**

(58) **Field of Search** D21/324-329,
D21/331; 273/148 B; 463/1, 2, 29-35,
46, 47

(56) **References Cited**

U.S. PATENT DOCUMENTS

5,184,830 A * 2/1993 Okada et al. 463/29
5,217,295 A * 6/1993 Tortola et al. 362/109
5,672,108 A * 9/1997 Lam et al. 463/2

D397,369 S * 8/1998 Rissman D21/329
D397,726 S * 9/1998 Yoeu et al. D21/329
D399,537 S * 10/1998 Chi et al. D21/329
D403,362 S * 12/1998 Fai D21/329
5,893,798 A * 4/1999 Tambolic et al. 463/46

* cited by examiner

Primary Examiner—Prabhakar Deshmukh

(74) *Attorney, Agent, or Firm*—Jordan and Hamburg LLP

(57) **CLAIM**

The ornamental design for a portable game machine, as shown and described.

DESCRIPTION

FIG. 1 is a perspective view of a portable game machine showing a first embodiment of my new design;

FIG. 2 is a front view thereof;

FIG. 3 is a rear view thereof;

FIG. 4 is a top view thereof;

FIG. 5 is a bottom view thereof;

FIG. 6 is a left side view thereof; and,

FIG. 7 is a right side view thereof.

The portions shown by broken lines are for illustrative purposes only and form no part of the claimed design.

1 Claim, 3 Drawing Sheets

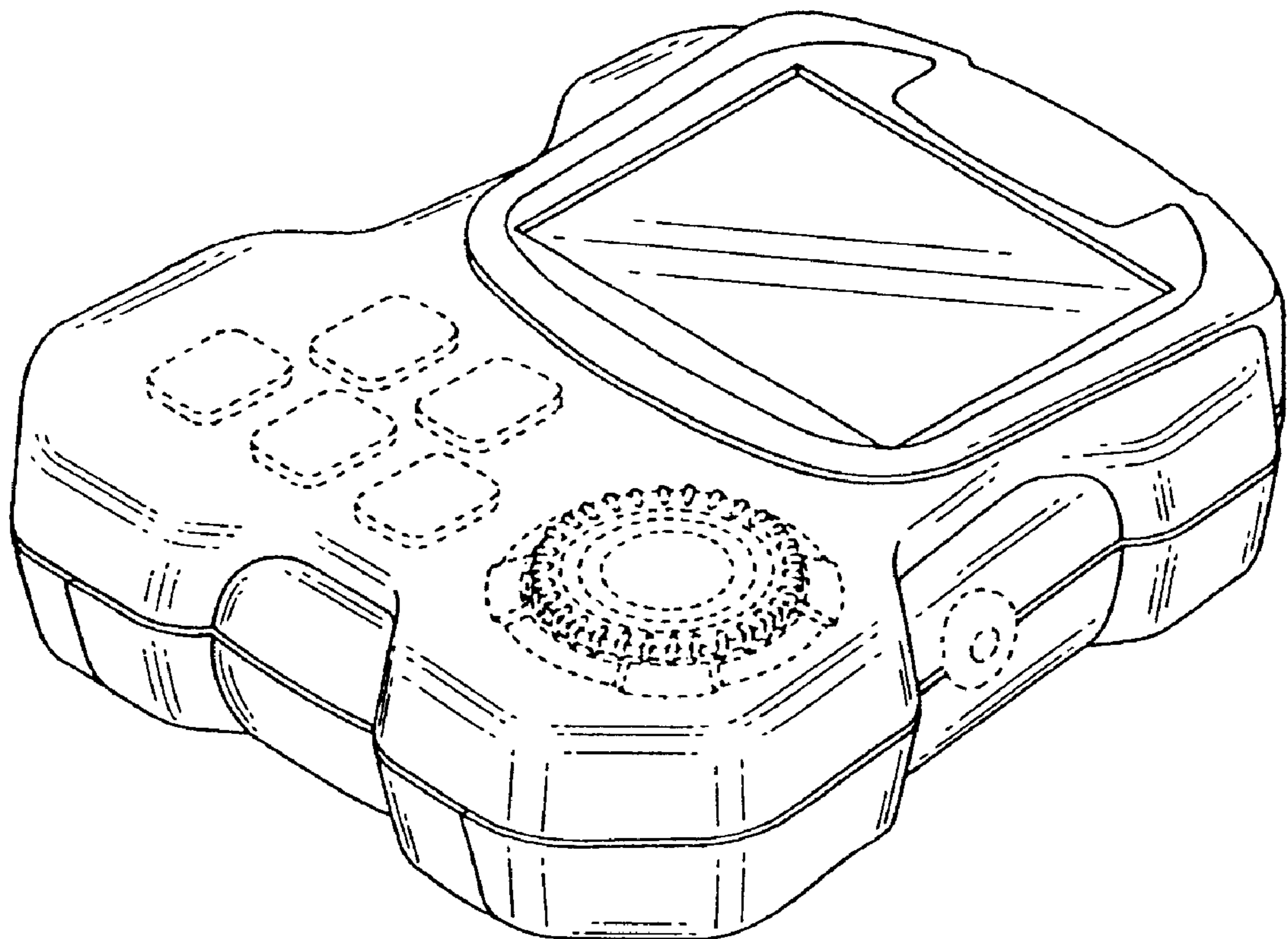


FIG. 1

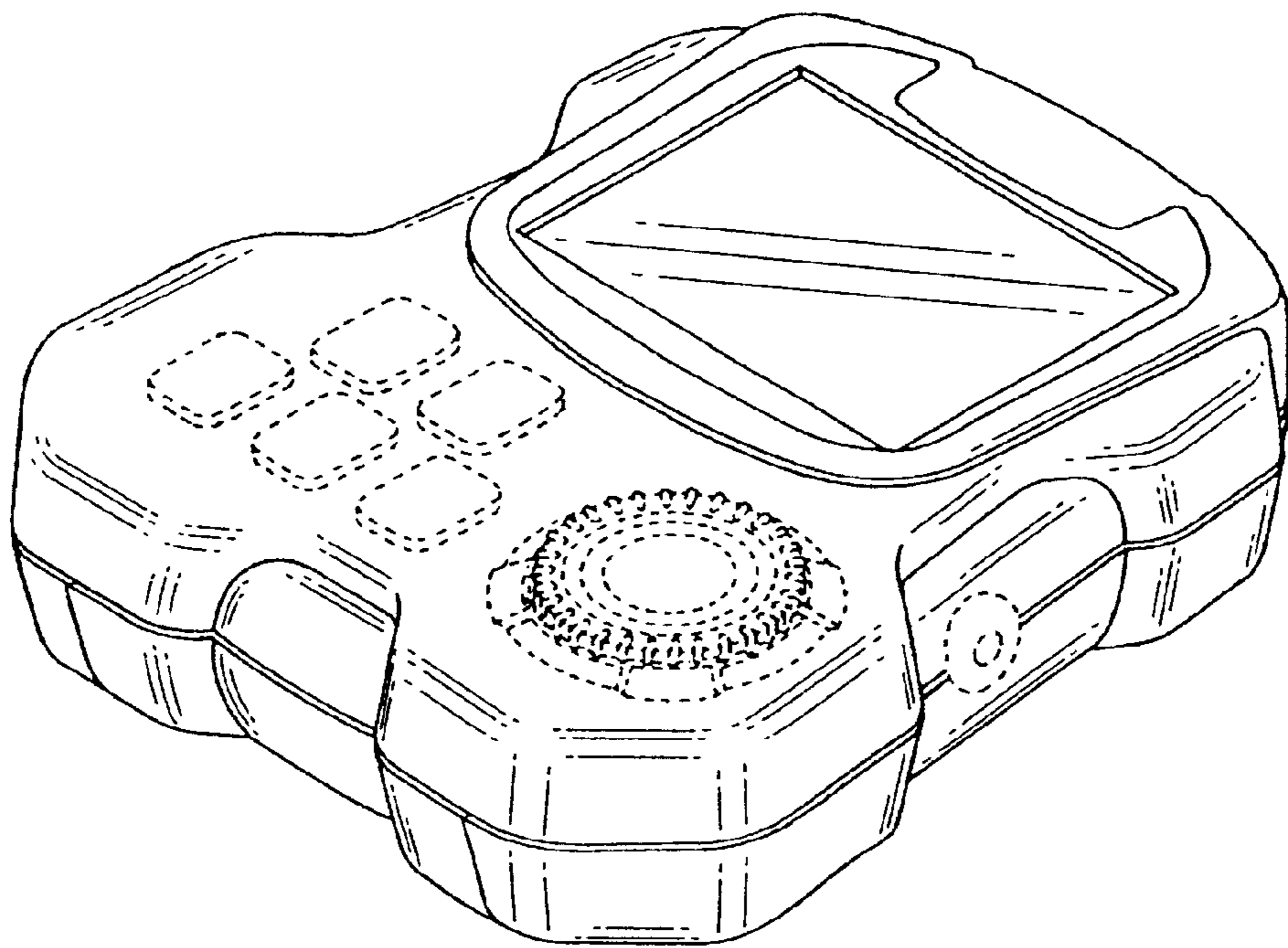


FIG. 2

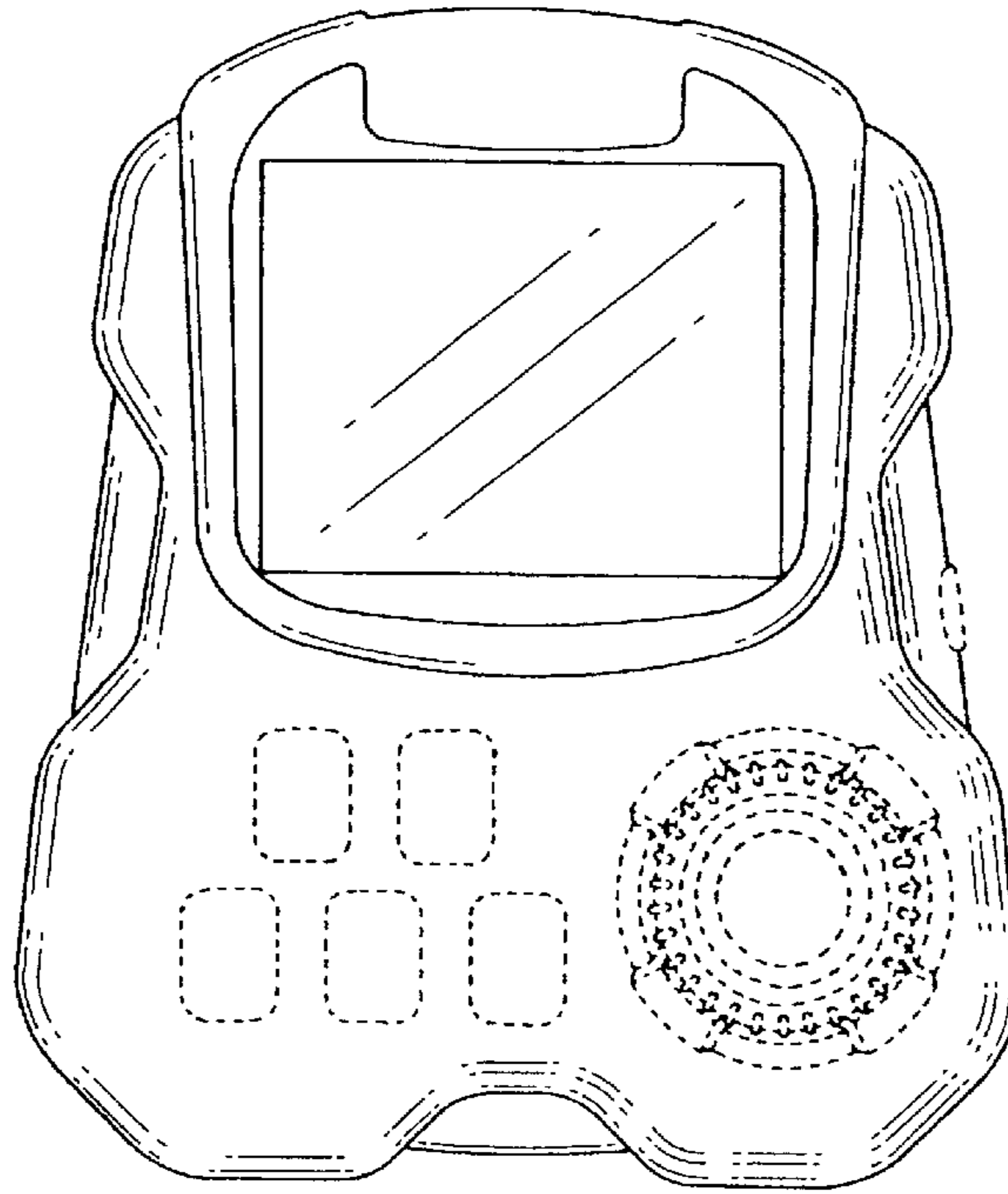


FIG. 3

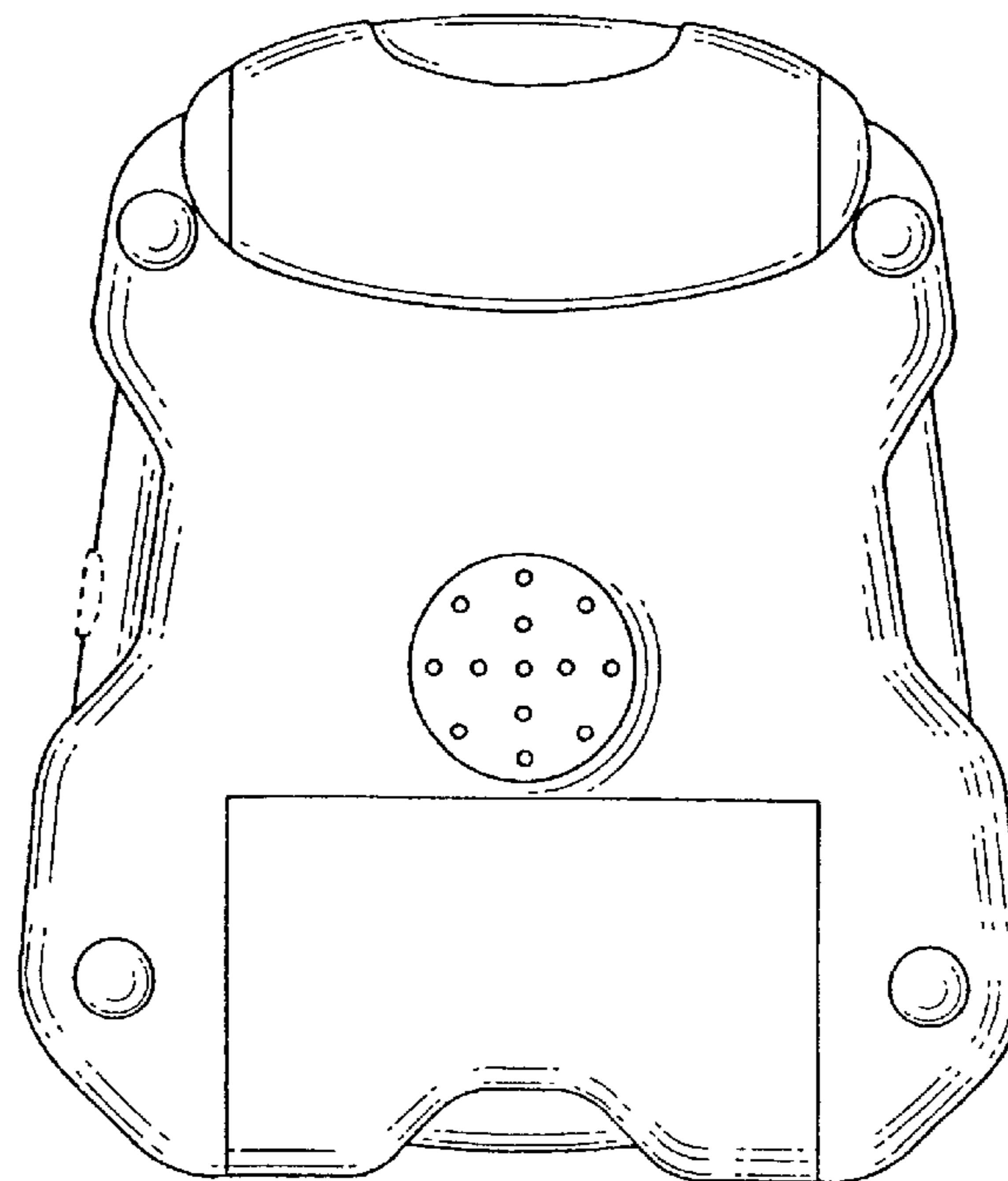


FIG. 4

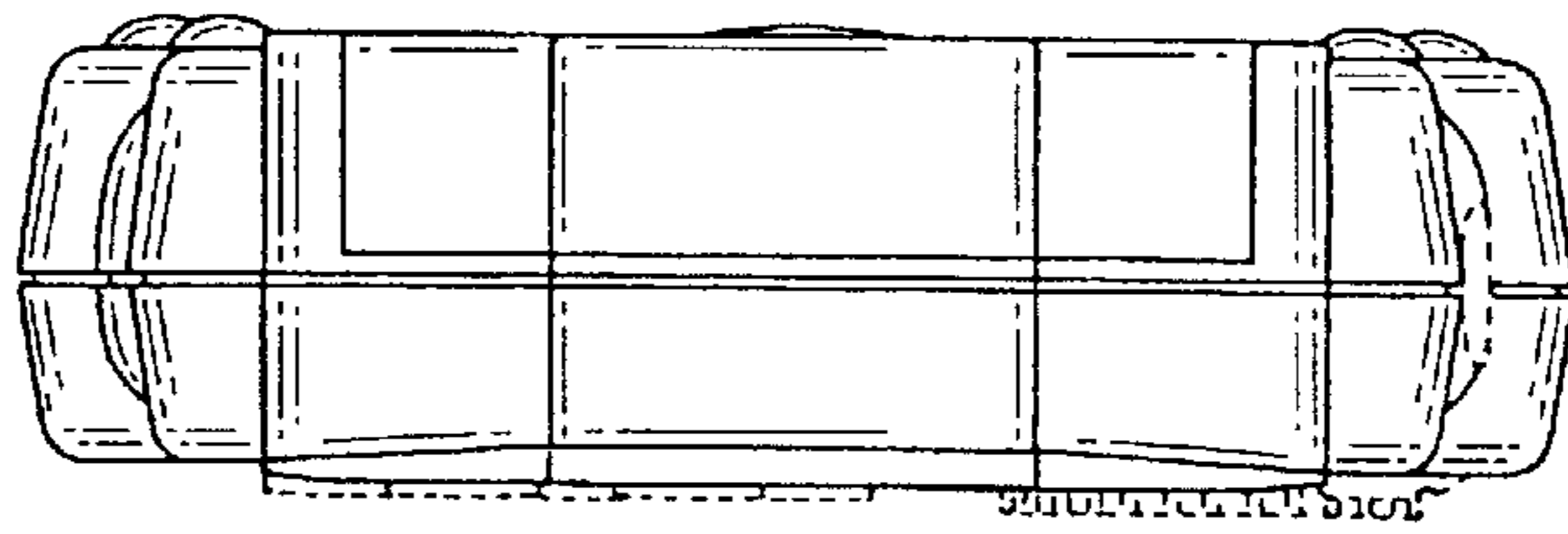


FIG. 5

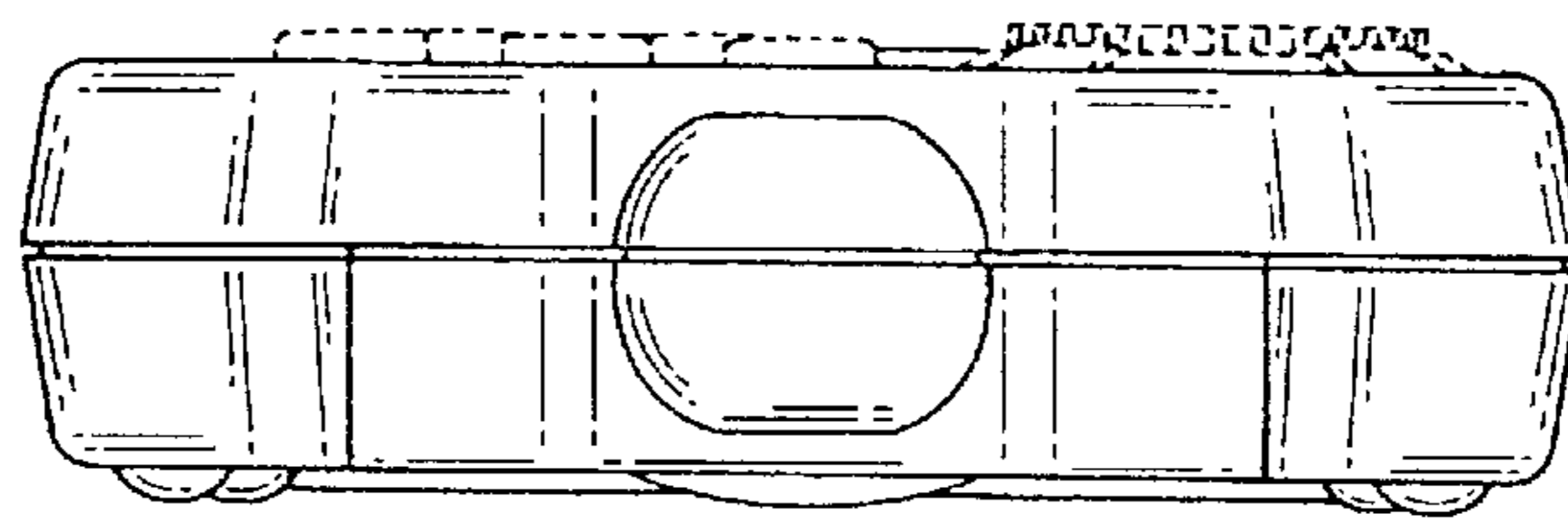


FIG. 6

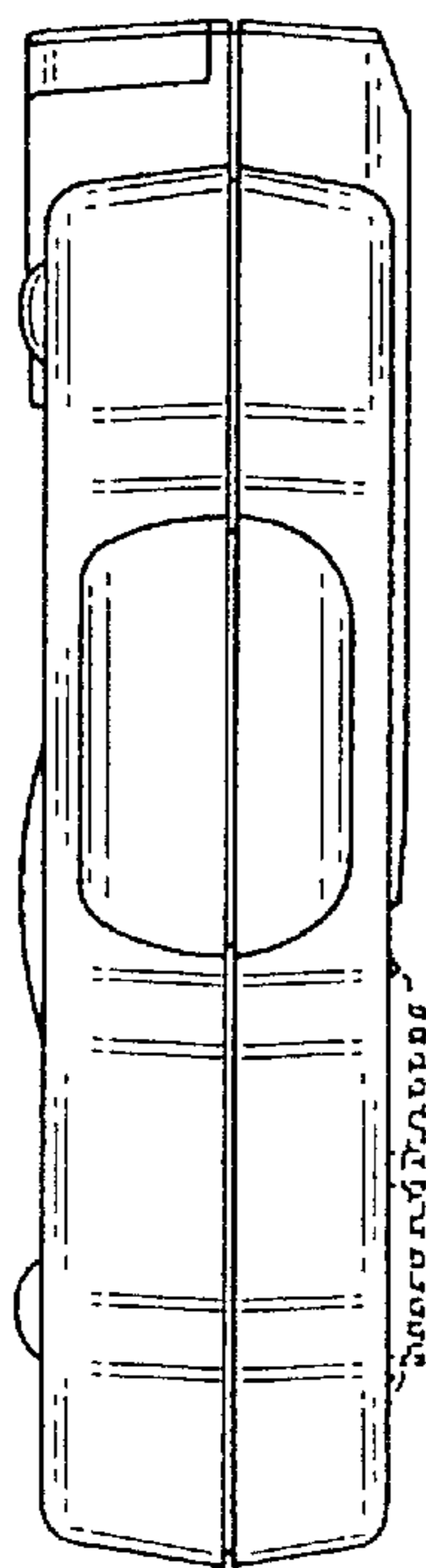


FIG. 7

