



US00D460114S

(12) **United States Design Patent**
Oka

(10) **Patent No.:** **US D460,114 S**

(45) **Date of Patent:** **** Jul. 9, 2002**

(54) **CAP FOR A WRITING INSTRUMENT**

(75) Inventor: **Shigeo Oka**, Tokyo (JP)

(73) Assignee: **Pentel Kabushiki Kaisha** (JP)

(**) Term: **14 Years**

(21) Appl. No.: **29/150,915**

(22) Filed: **Nov. 21, 2001**

(30) **Foreign Application Priority Data**

May 30, 2001 (JP) 2001-015557

(51) **LOC (7) Cl.** **19-06**

(52) **U.S. Cl.** **D19/57; D19/56**

(58) **Field of Search** D19/35, 36, 41-51,
D19/53-58, 81-85; 401/98, 202, 213, 243-247,
262; 24/11 R, 11 PP, 10 R, 11 CC, 11 C,
11 P

(56) **References Cited**

U.S. PATENT DOCUMENTS

2,075,932 A * 4/1937 Ehrmann 24/11 CC X

D124,230 S * 12/1940 Dreyfuss D19/51
D319,844 S * 9/1991 Grötsch et al. D19/48
5,441,356 A * 8/1995 Cho 401/247
5,911,534 A * 6/1999 Toyama 401/213
5,927,888 A * 7/1999 Toyama 401/202
D414,202 S * 9/1999 Beneyto D19/47

* cited by examiner

Primary Examiner—Martie K. Holtje

(74) *Attorney, Agent, or Firm*—Adams & Wilks

(57) **CLAIM**

The ornamental design for a cap for a writing instrument, as shown and described.

DESCRIPTION

FIG. 1 is a perspective view of a cap for a writing instrument showing my new design;
FIG. 2 is a front elevational view thereof;
FIG. 3 is a rear elevational view thereof;
FIG. 4 is a bottom view thereof;
FIG. 5 is a right side elevational view thereof; and,
FIG. 6 is a left side elevational view thereof.

1 Claim, 1 Drawing Sheet

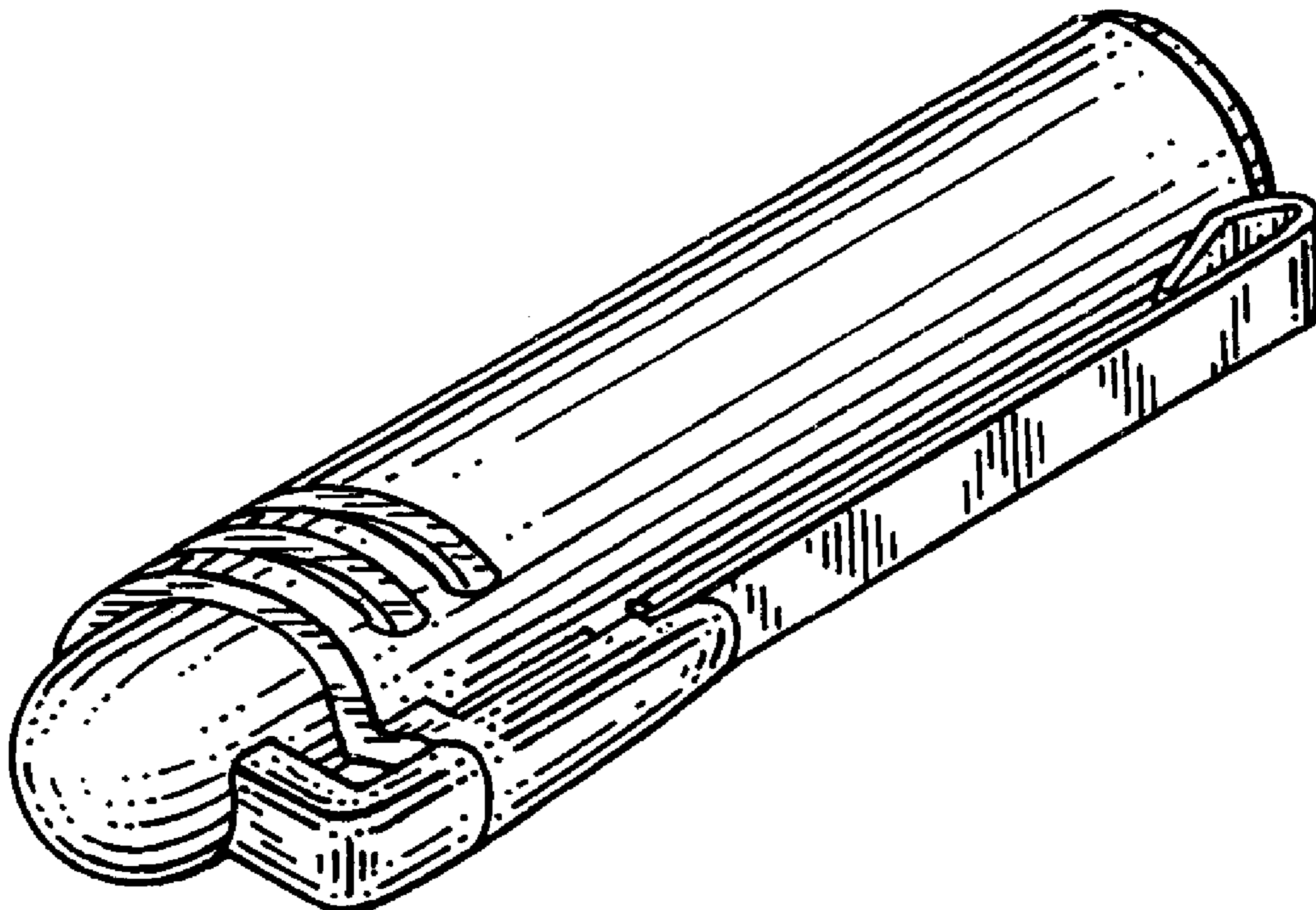


FIG. 1

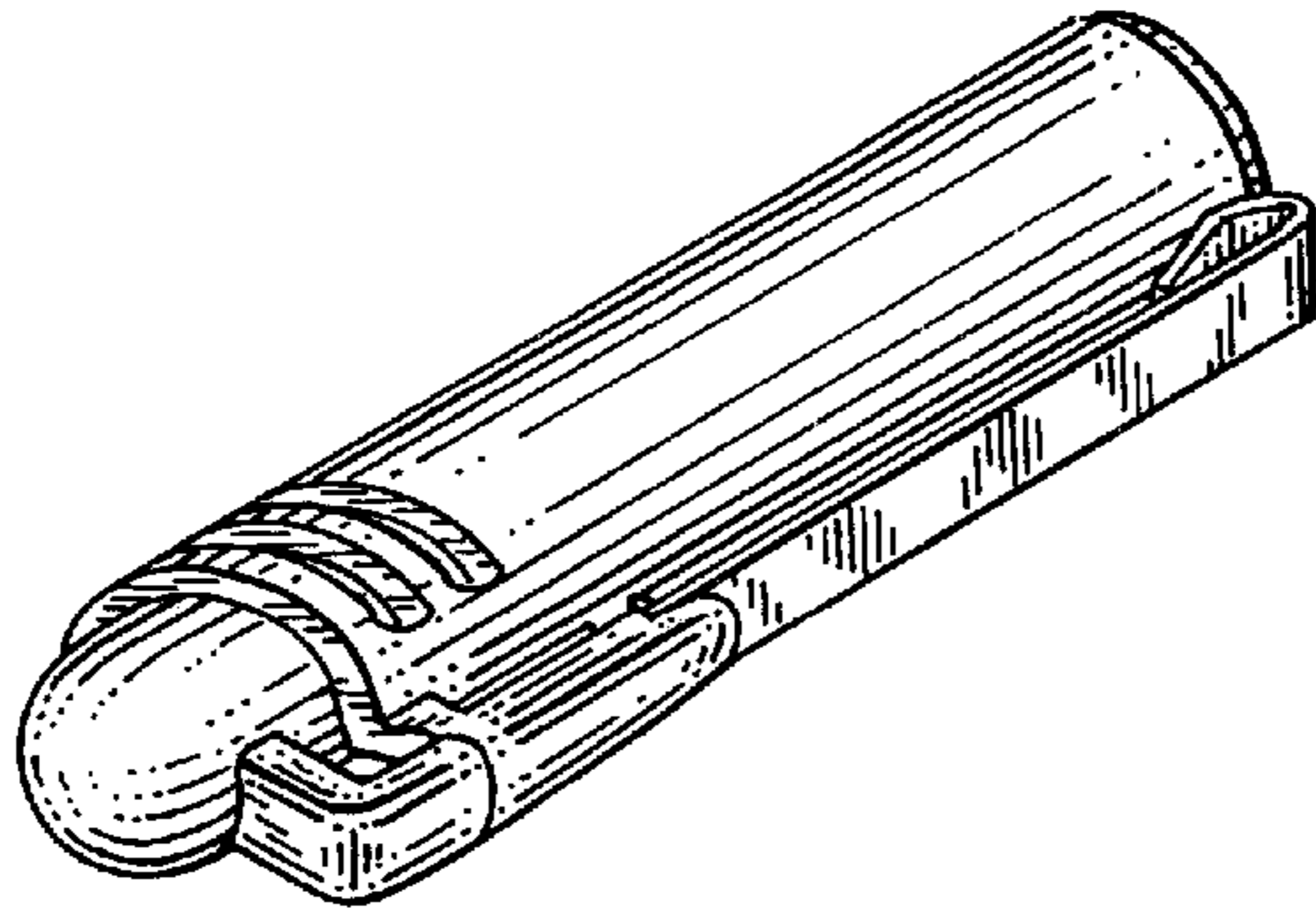


FIG. 5

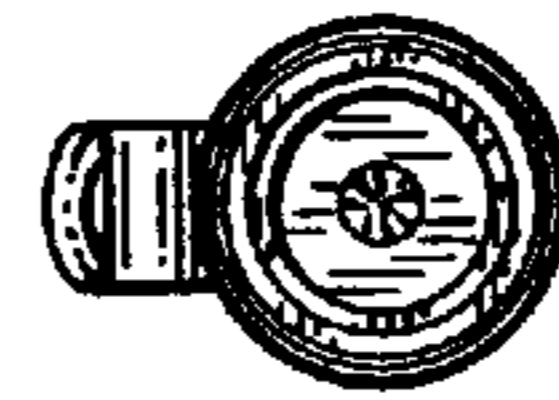


FIG. 6

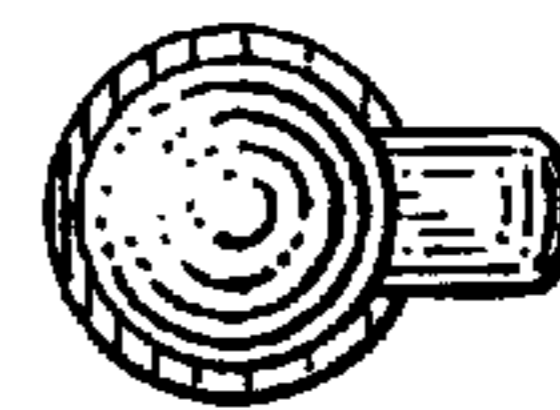


FIG. 2



FIG. 3

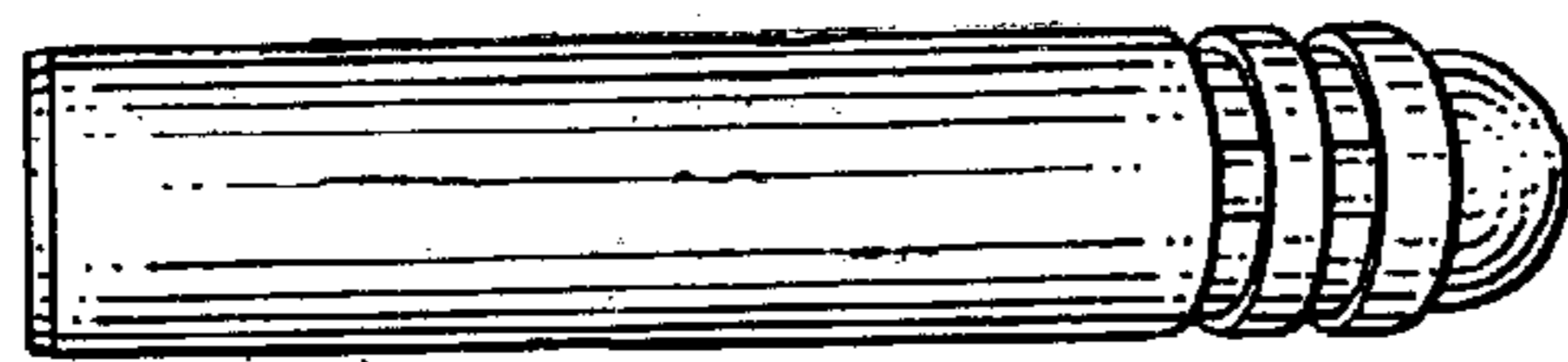


FIG. 4

