

US00D460109S

(12) **United States Design Patent** (10) **Patent No.:** **US D460,109 S**  
**To** (45) **Date of Patent:** **\*\* Jul. 9, 2002**

- (54) **HOUSING FOR A RING BINDER MECHANISM**
- (75) Inventor: **Chun Yuen To, Hong Kong (HK)**
- (73) Assignee: **World Wide Stationery Manufacturing Company Ltd., Kwai Chung (HK)**
- (\*\*) Term: **14 Years**
- (21) Appl. No.: **29/137,496**
- (22) Filed: **Feb. 23, 2001**

**Related U.S. Application Data**

- (63) Continuation of application No. 09/702,862, filed on Nov. 1, 2000.
- (51) **LOC (7) Cl.** ..... **19-04**
- (52) **U.S. Cl.** ..... **D19/32**
- (58) **Field of Search** ..... D19/26, 27, 32, D19/49, 100; 402/26, 31, 36, 38, 39, 41; 281/3.1, 15.1, 21.1, 22, 27.1, 27.2, 27.3, 28, 29, 30, 31, 32, 39, 45, 46, 47, 48, 49, 50, 51

(56) **References Cited**

**U.S. PATENT DOCUMENTS**

5,286,128	A	2/1994	Gillum	
5,348,412	A	9/1994	Fuller	
5,577,852	A	* 11/1996	To	402/31
5,846,013	A	* 12/1998	To	402/36
5,975,784	A	11/1999	Whaley	
6,109,813	A	8/2000	To et al.	
D433,445	S	* 11/2000	To	D19/32
6,146,042	A	* 11/2000	To et al.	402/26
D436,993	S	* 1/2001	Whaley	D19/32
D436,994	S	* 1/2001	Whaley	D19/32

**OTHER PUBLICATIONS**

US patent application Ser. 09/812,889, filed Mar. 21, 2001  
Class 402/36.

\* cited by examiner

*Primary Examiner*—Paula A. Mortimer  
(74) *Attorney, Agent, or Firm*—Hall, Priddy, Myers & Vande Sande

(57) **CLAIM**

The ornamental design for a housing for a ring binder mechanism, as shown and described.

**DESCRIPTION**

FIG. 1 is a top perspective view of a housing for a ring binder mechanism showing my new design;  
 FIG. 2 is a bottom perspective view of the housing and ring binder mechanism of FIG. 1;  
 FIG. 3 is a top perspective view thereof;  
 FIG. 4 is a bottom perspective view of the housing and ring binder mechanism of FIG. 3;  
 FIG. 5 is a side view of the housing and ring binder mechanism of FIG. 1;  
 FIG. 6 is a top view of the housing and ring binder mechanism of FIG. 1;  
 FIG. 7 is an end view of the housing and ring binder mechanism of FIG. 1;  
 FIG. 8 is a top perspective view of a second embodiment of a housing for a ring binder mechanism showing my new design;  
 FIG. 9 is a top perspective view thereof;  
 FIG. 10 is a bottom perspective view of the housing and ring binder mechanism of FIG. 8;  
 FIG. 11 is a bottom perspective view of the housing and ring binder mechanism of FIG. 9;  
 FIG. 12 is a side view of the housing and ring binder mechanism of FIG. 8;  
 FIG. 13 is a top view of the housing and ring binder mechanism of FIG. 8;  
 FIG. 14 is a side view of the housing and ring binder mechanism of FIG. 8;  
 FIG. 15 is a top perspective view of a third embodiment of a housing for a ring binder mechanism showing my new design;  
 FIG. 16 is a top perspective view thereof;  
 FIG. 17 is a bottom perspective view of the housing and ring binder mechanism of FIG. 15;  
 FIG. 18 is a bottom perspective of the housing and ring binder mechanism of FIG. 16;

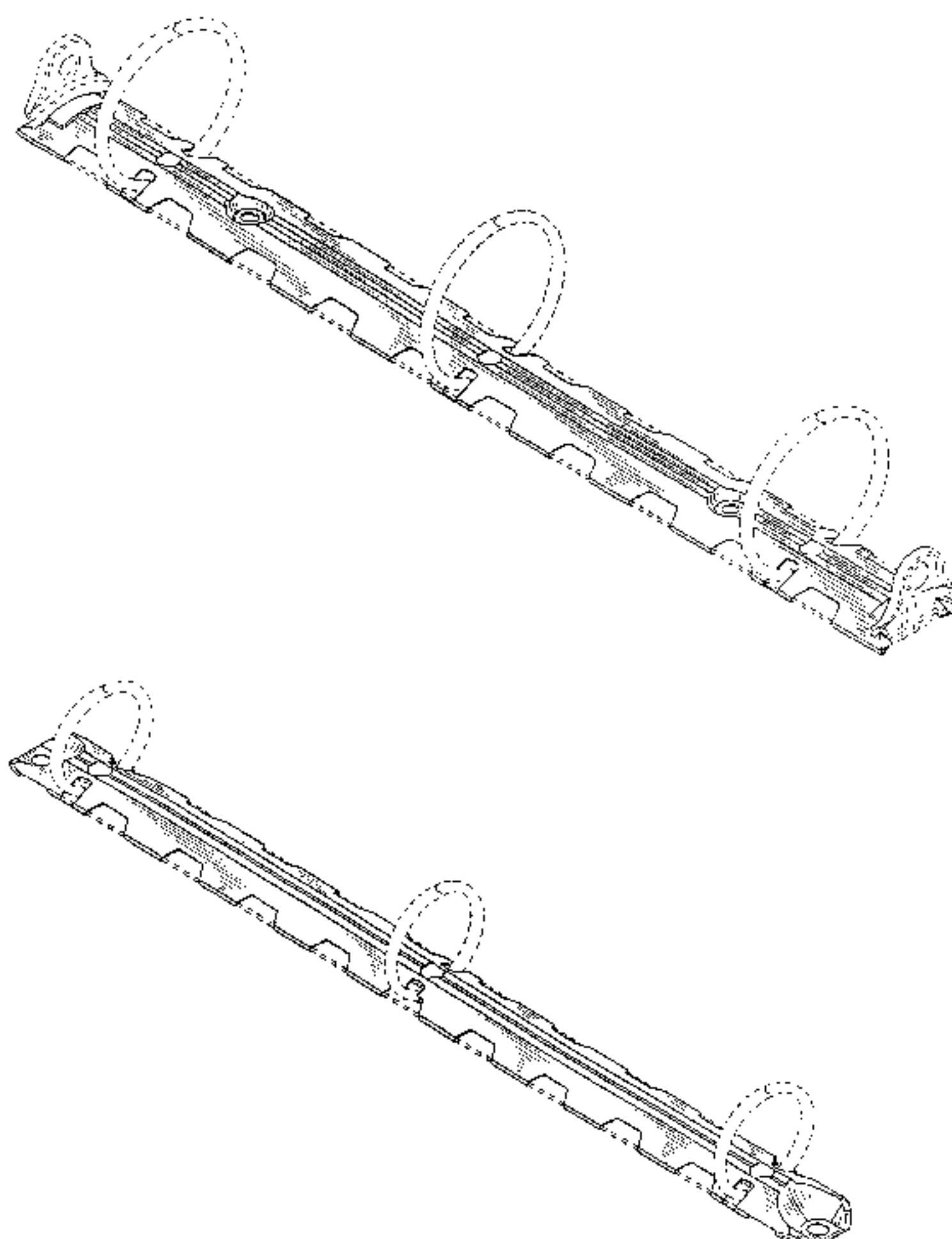


FIG. **19** is a side view of the housing and ring binder mechanism of FIG. **15**;

FIG. **20** is a top view of the housing and ring binder mechanism of FIG. **15**;

FIG. **21** is an end view of the housing and ring binder mechanism of FIG. **15**;

FIG. **22** is a top perspective view of a fourth embodiment of a housing for a ring binder mechanism showing my new design.

FIG. **23** is a top perspective view thereof;

FIG. **24** is a bottom perspective view of the housing and ring binder mechanism of FIG. **22**;

FIG. **25** is a bottom perspective of the housing and ring binder mechanism of FIG. **23**;

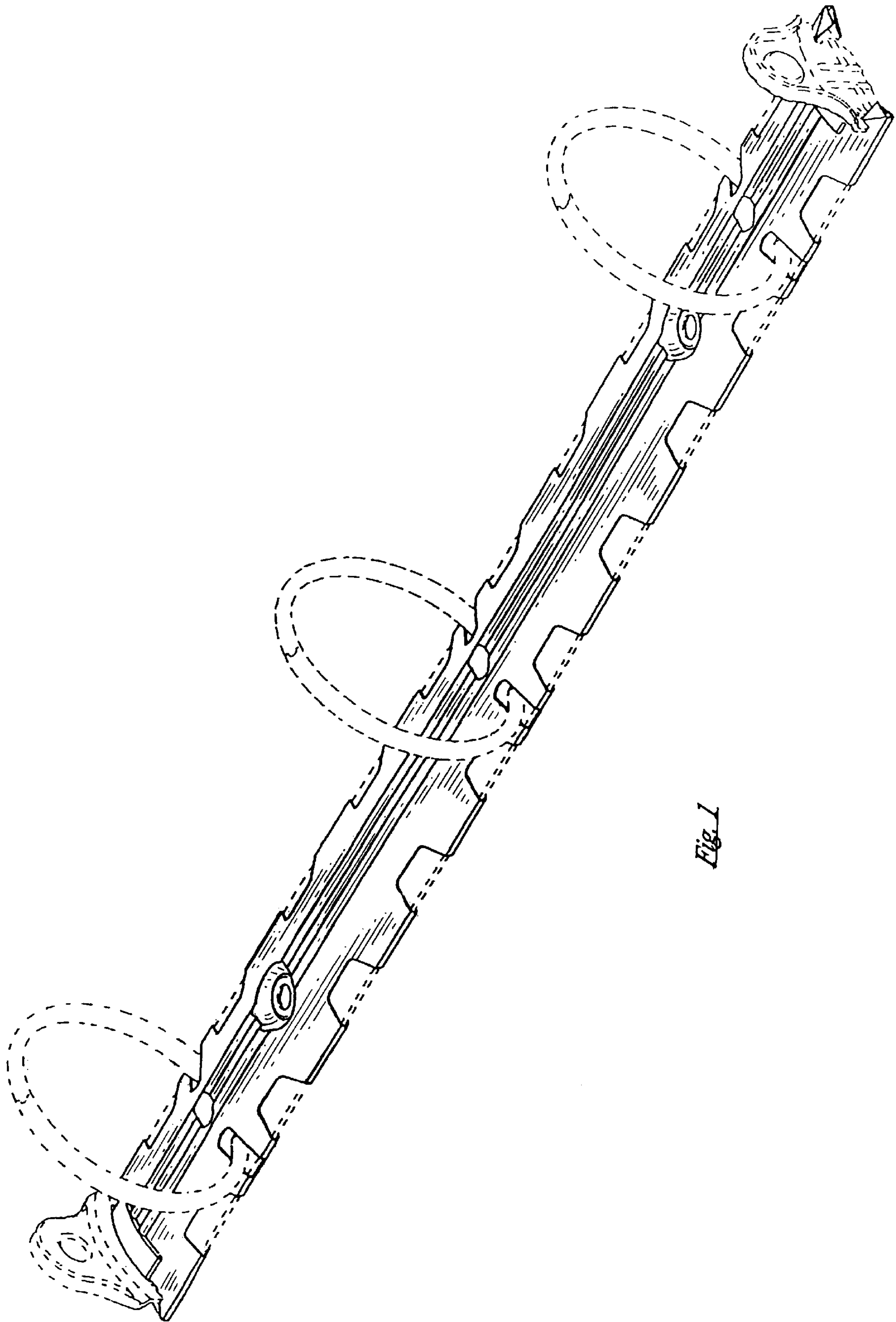
FIG. **26** is a side view of the housing and ring binder mechanism of FIG. **22**;

FIG. **27** is a top view of the housing and ring binder mechanism of FIG. **22**; and,

FIG. **28** is an end view of the housing and ring binder mechanism of FIG. **22**.

The broken line showing of the rings, actuating levers, and parts of the ring binder housing is for illustrative purposes only and forms no part of the claimed design.

**1 Claim, 21 Drawing Sheets**



*Fig. 1*

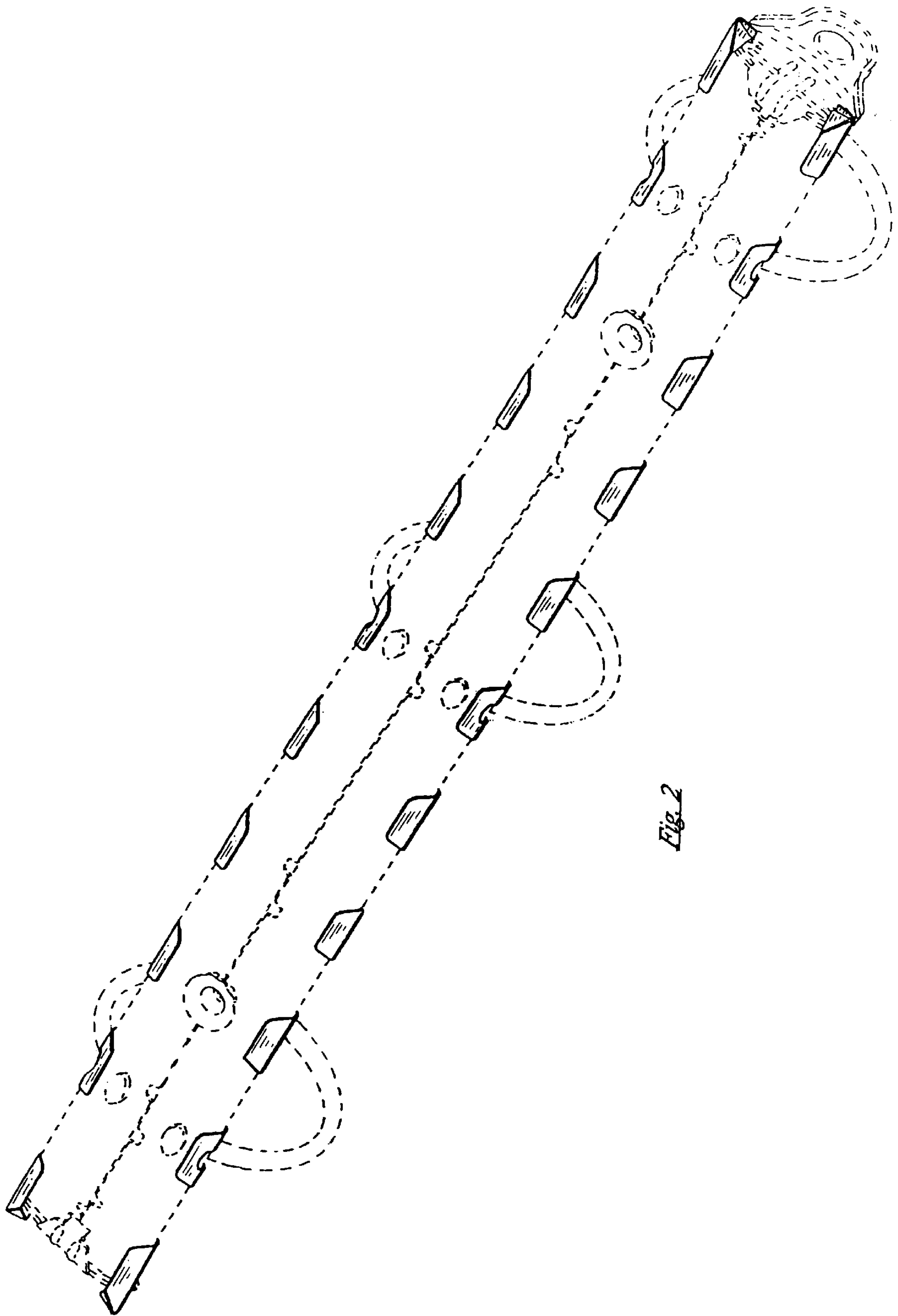


FIG. 2



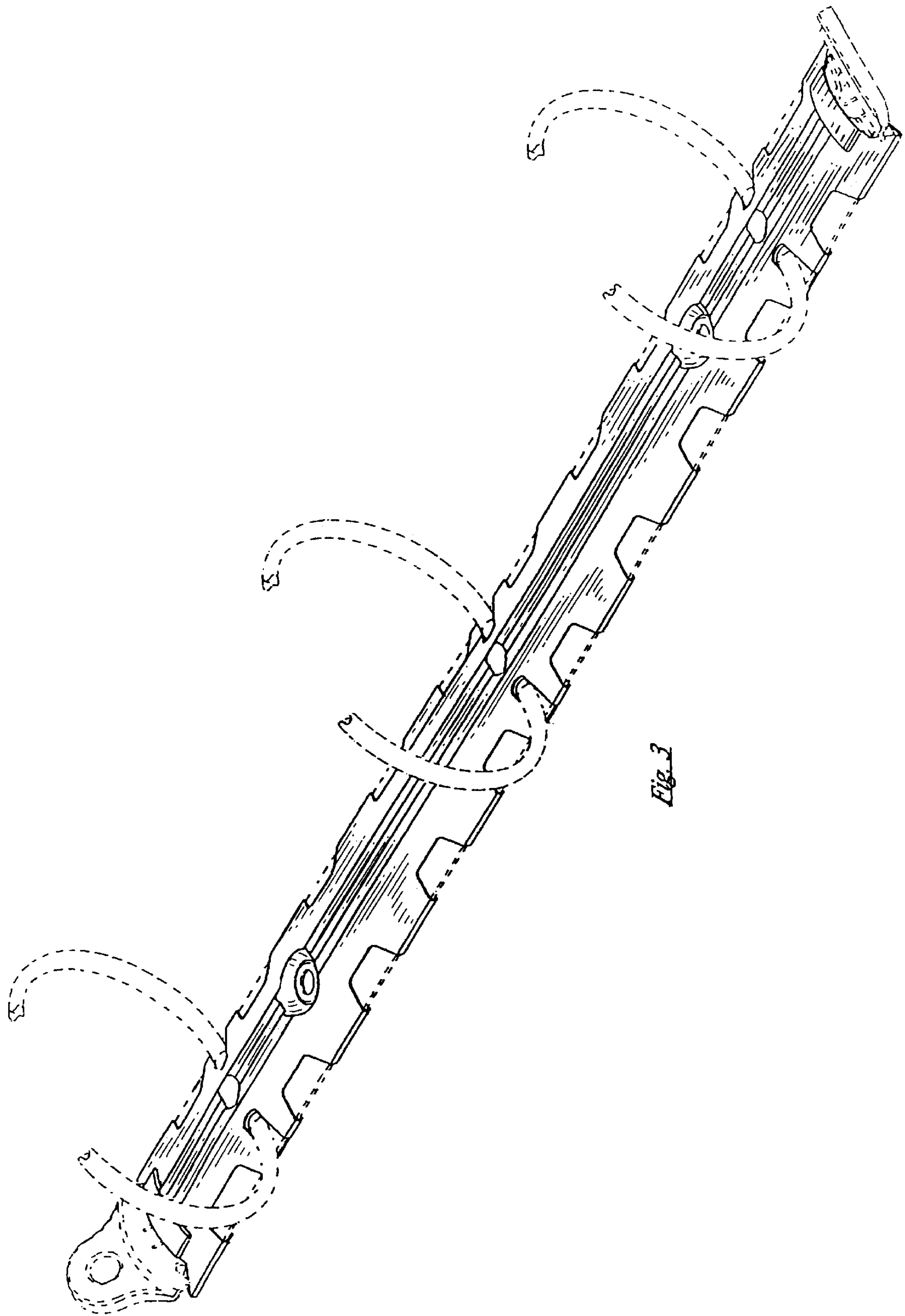


Fig. 3

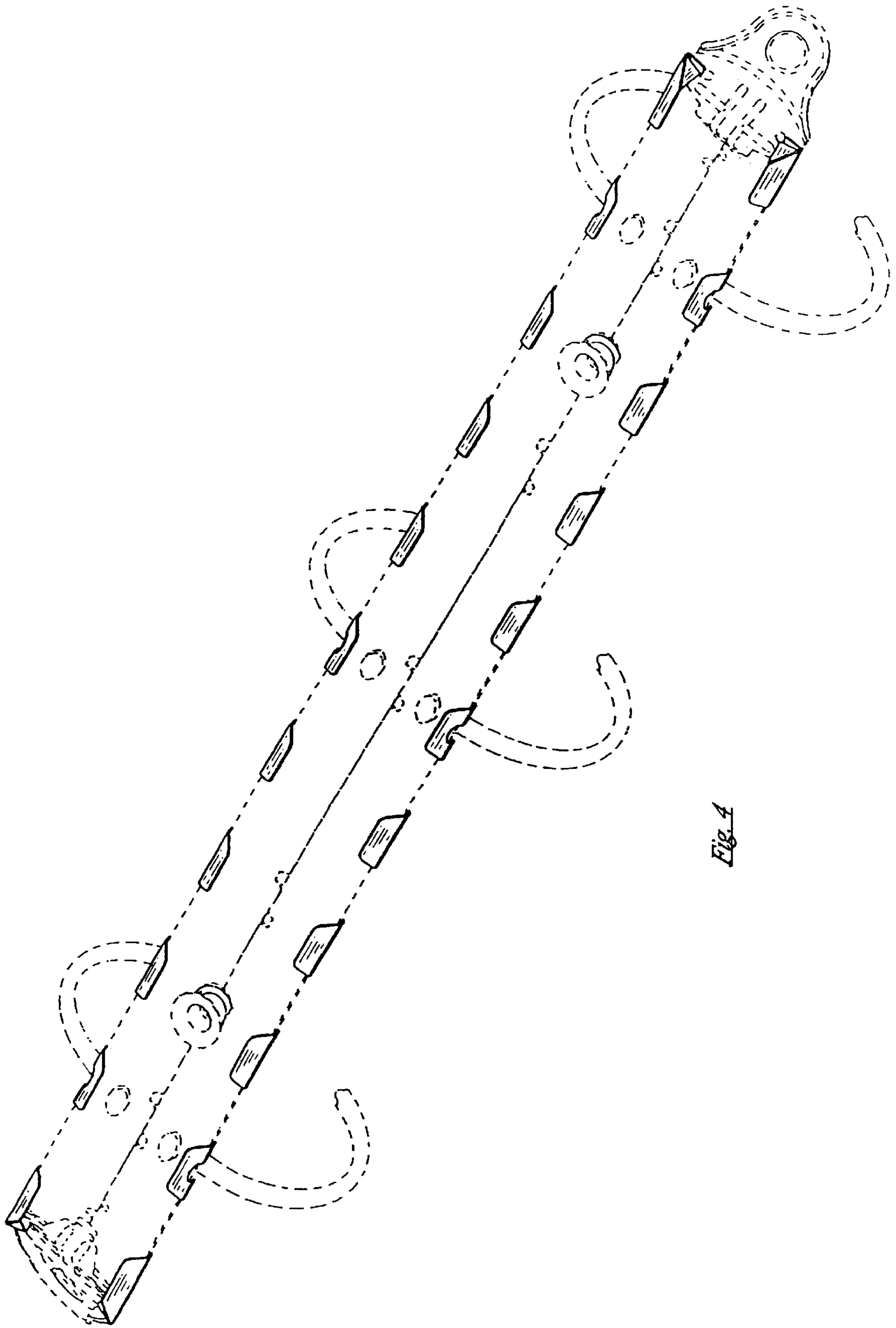
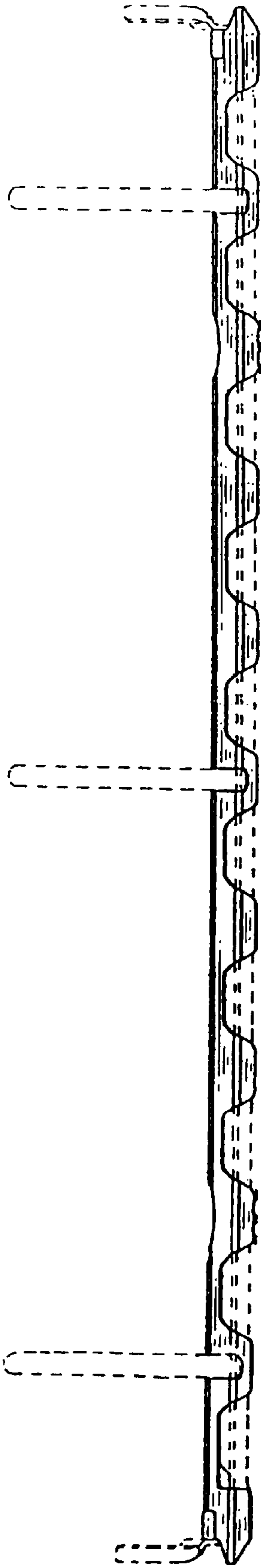
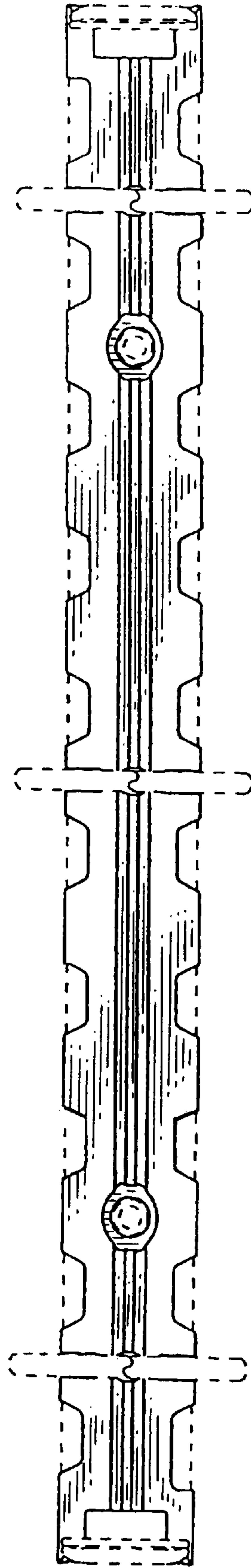


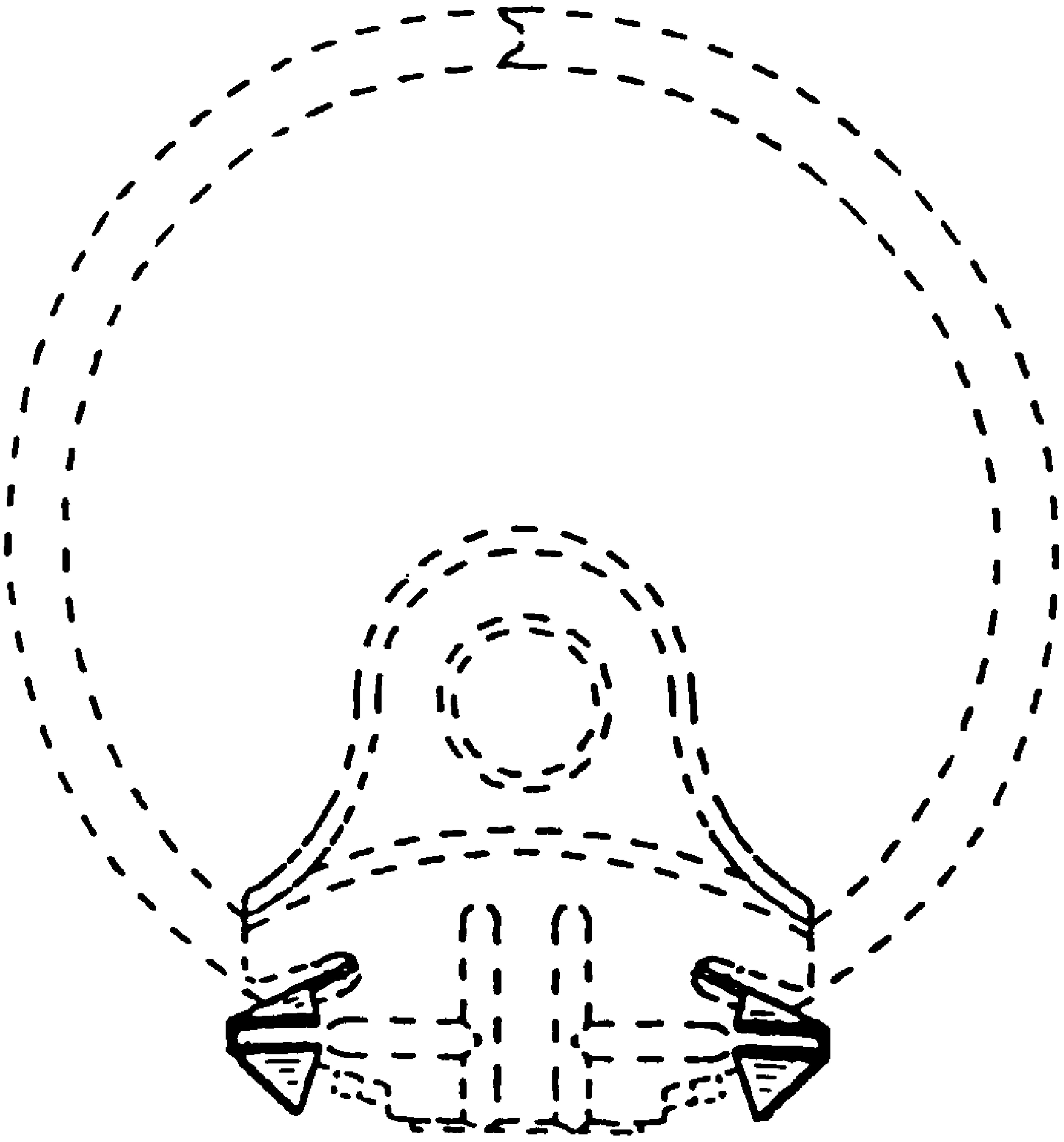
Fig. 4



*Fig. 5*

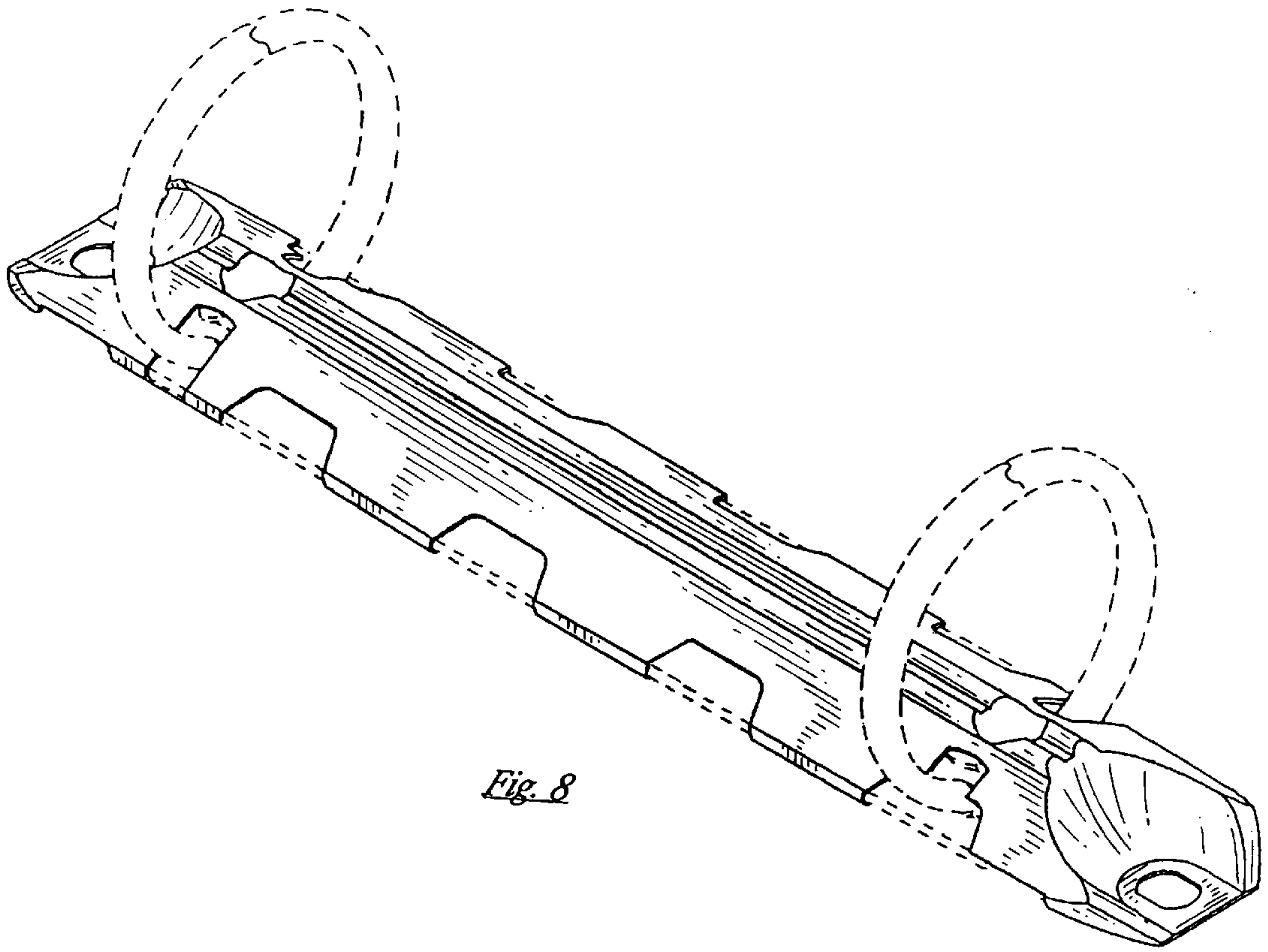


*Fig. 6*

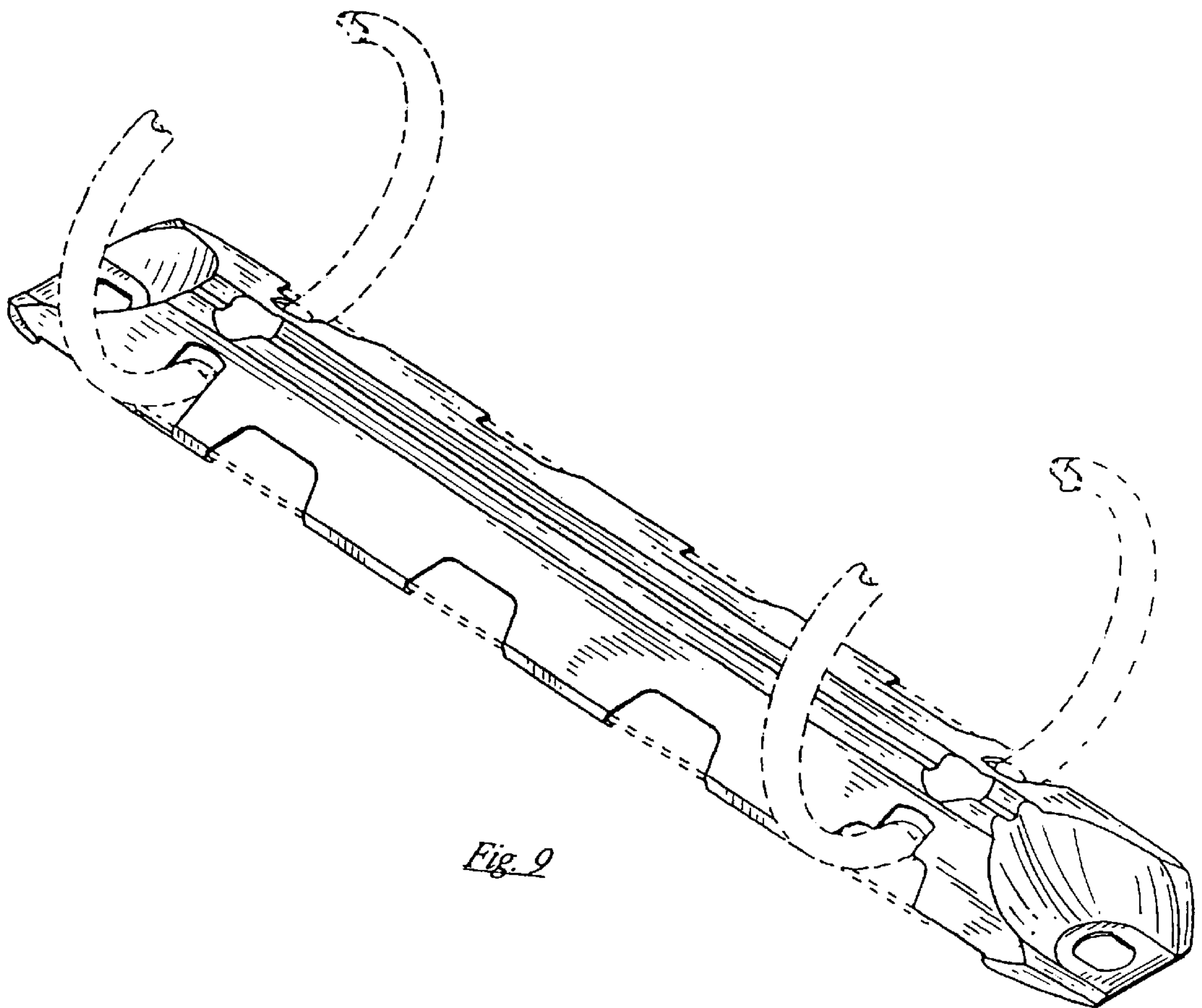


*Fig. 7*

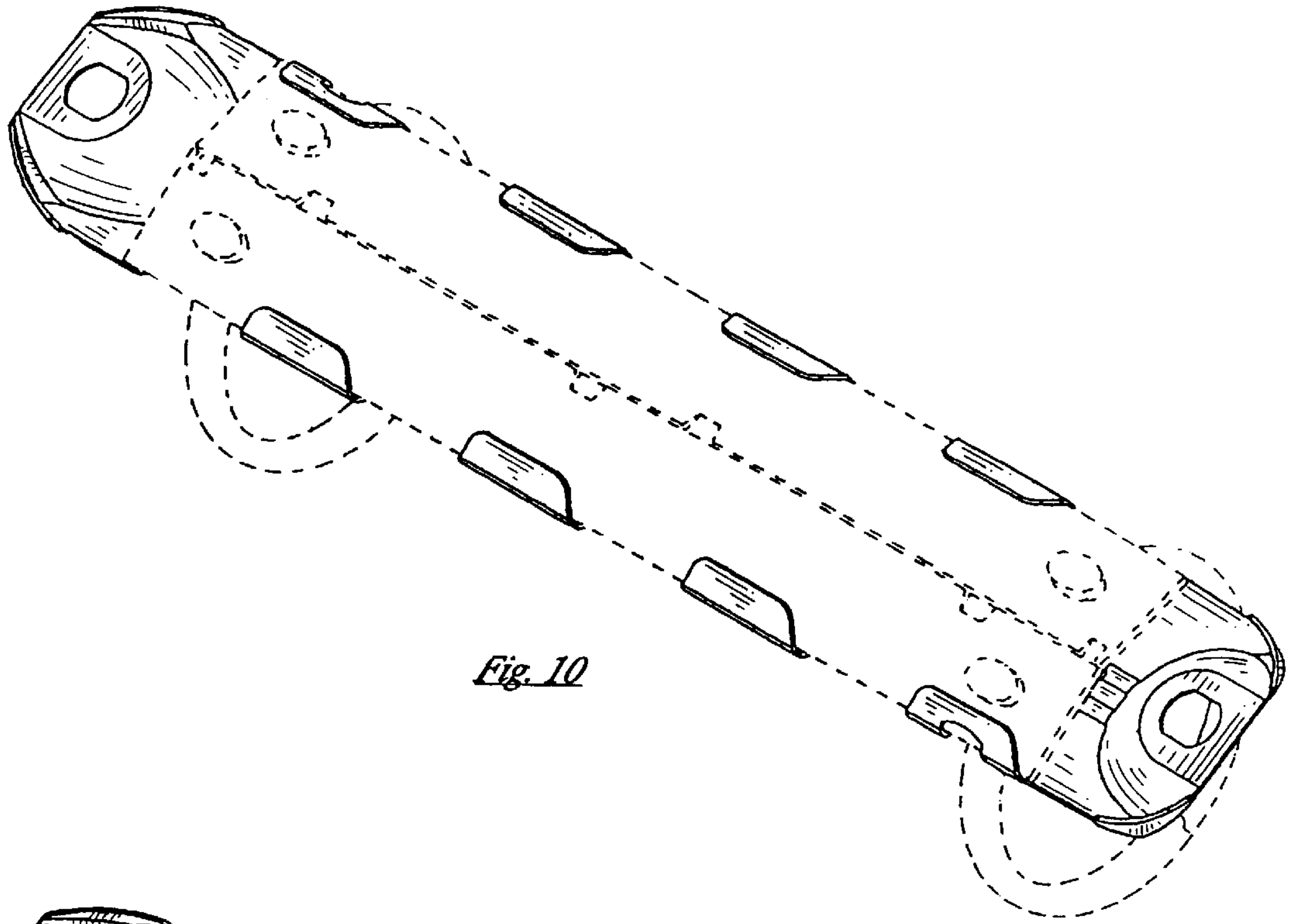




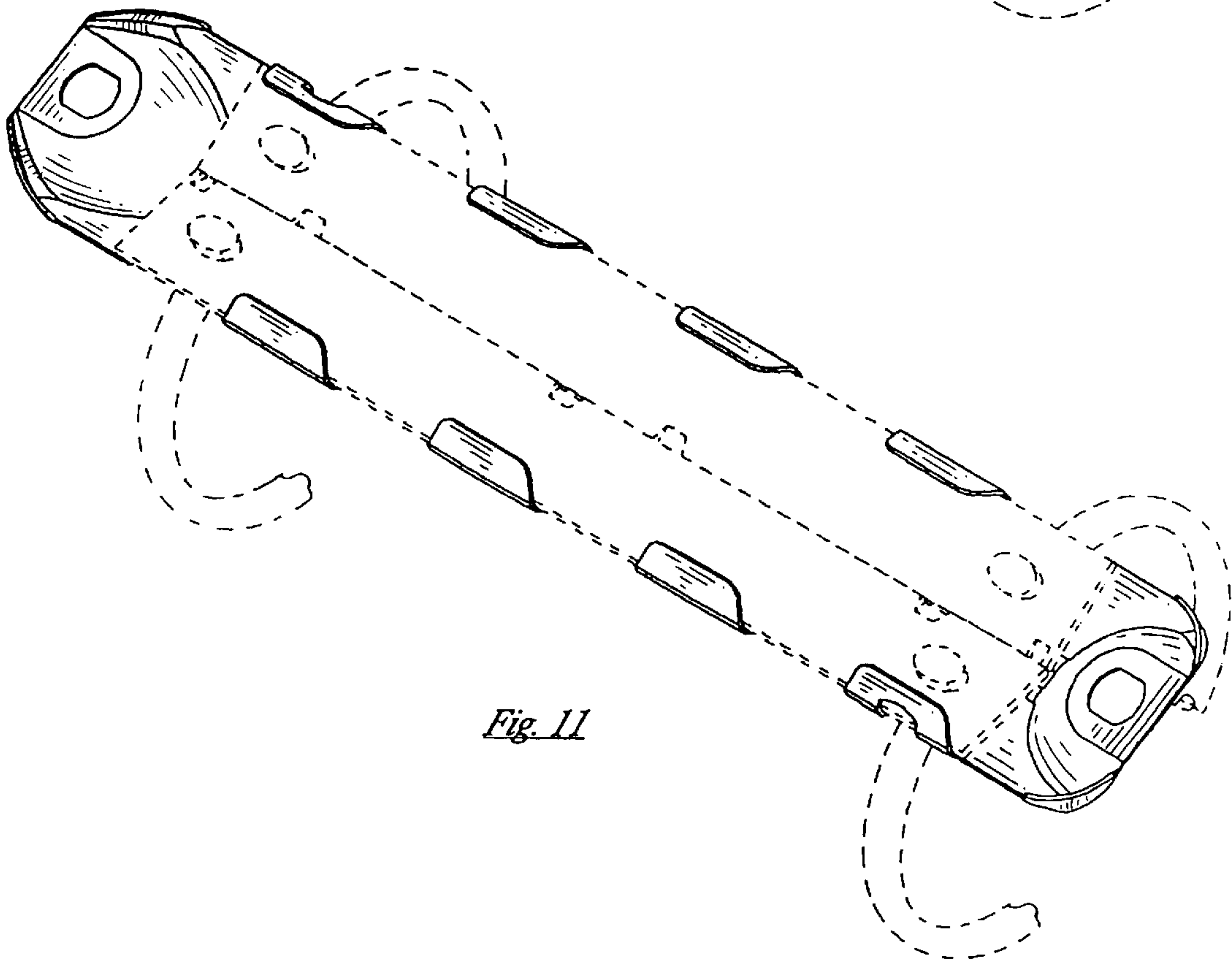
*Fig. 8*



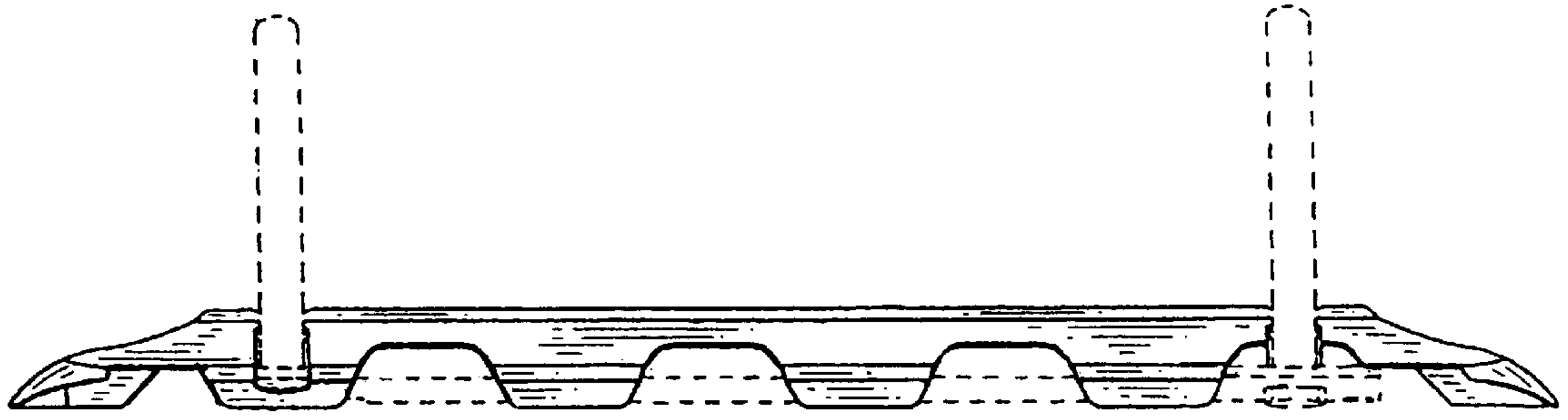
*Fig. 9*



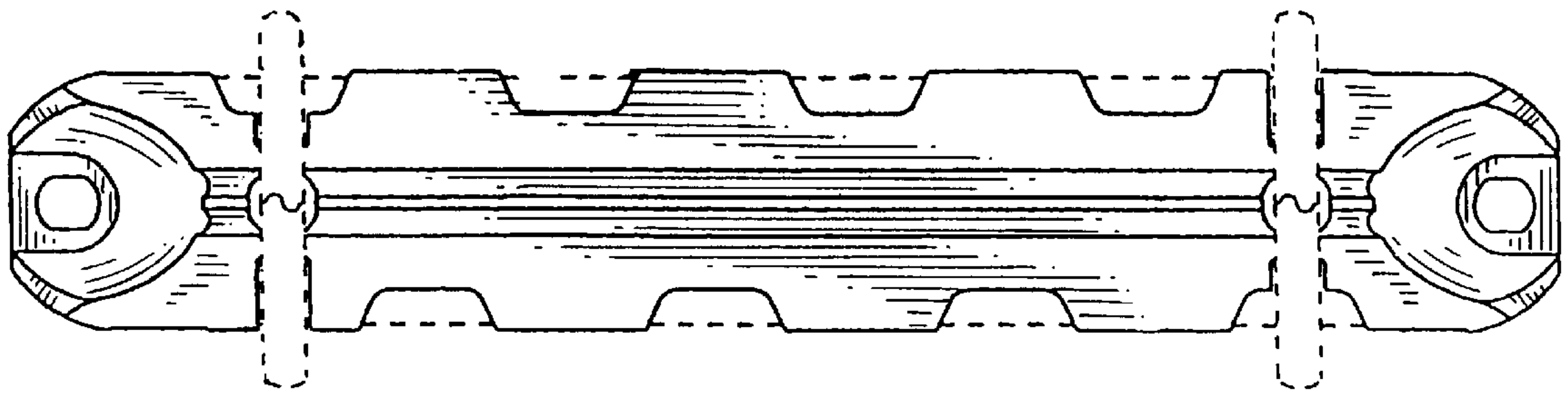
*Fig. 10*



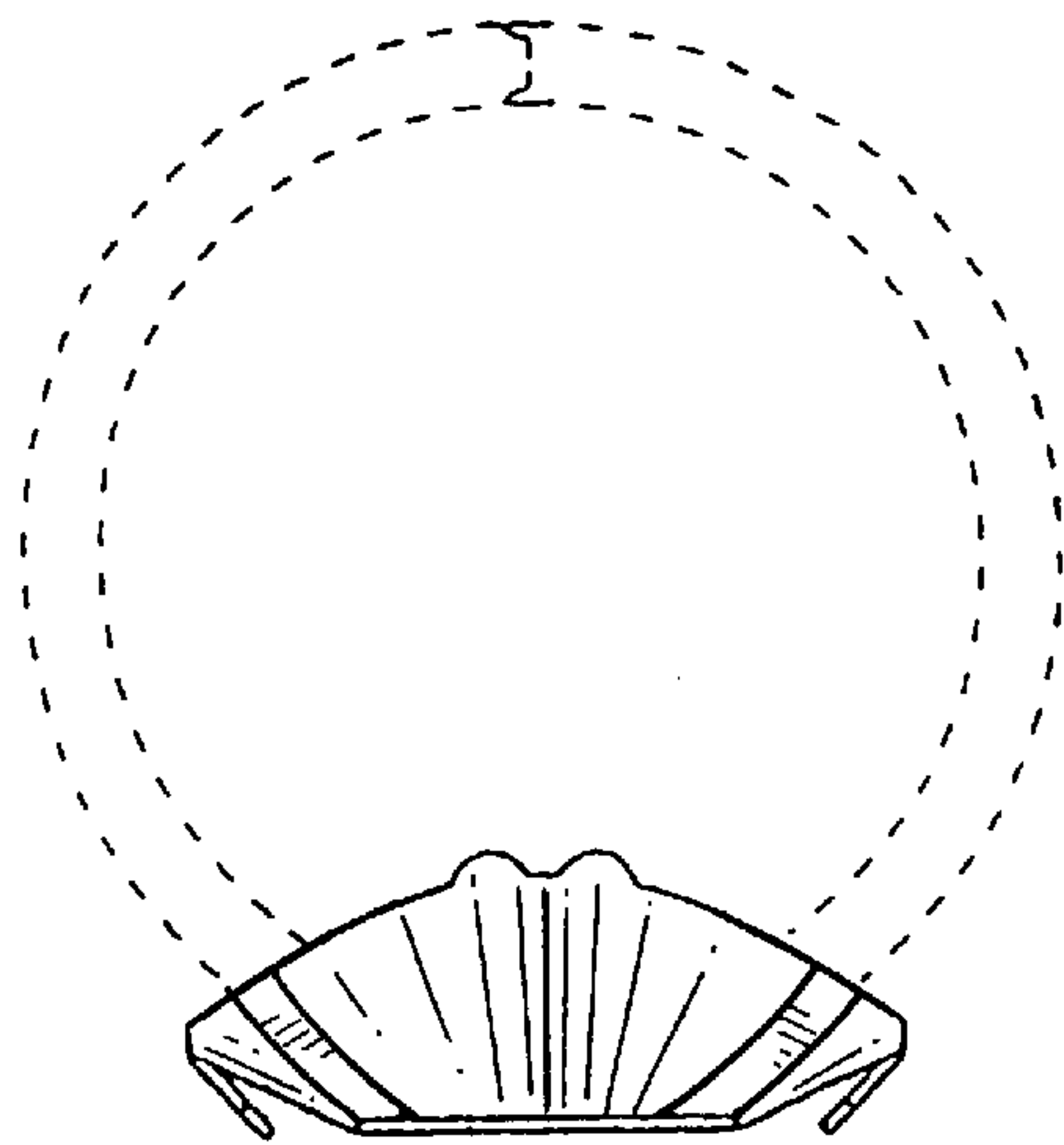
*Fig. 11*



*Fig. 12*



*Fig. 13*



*Fig. 14*

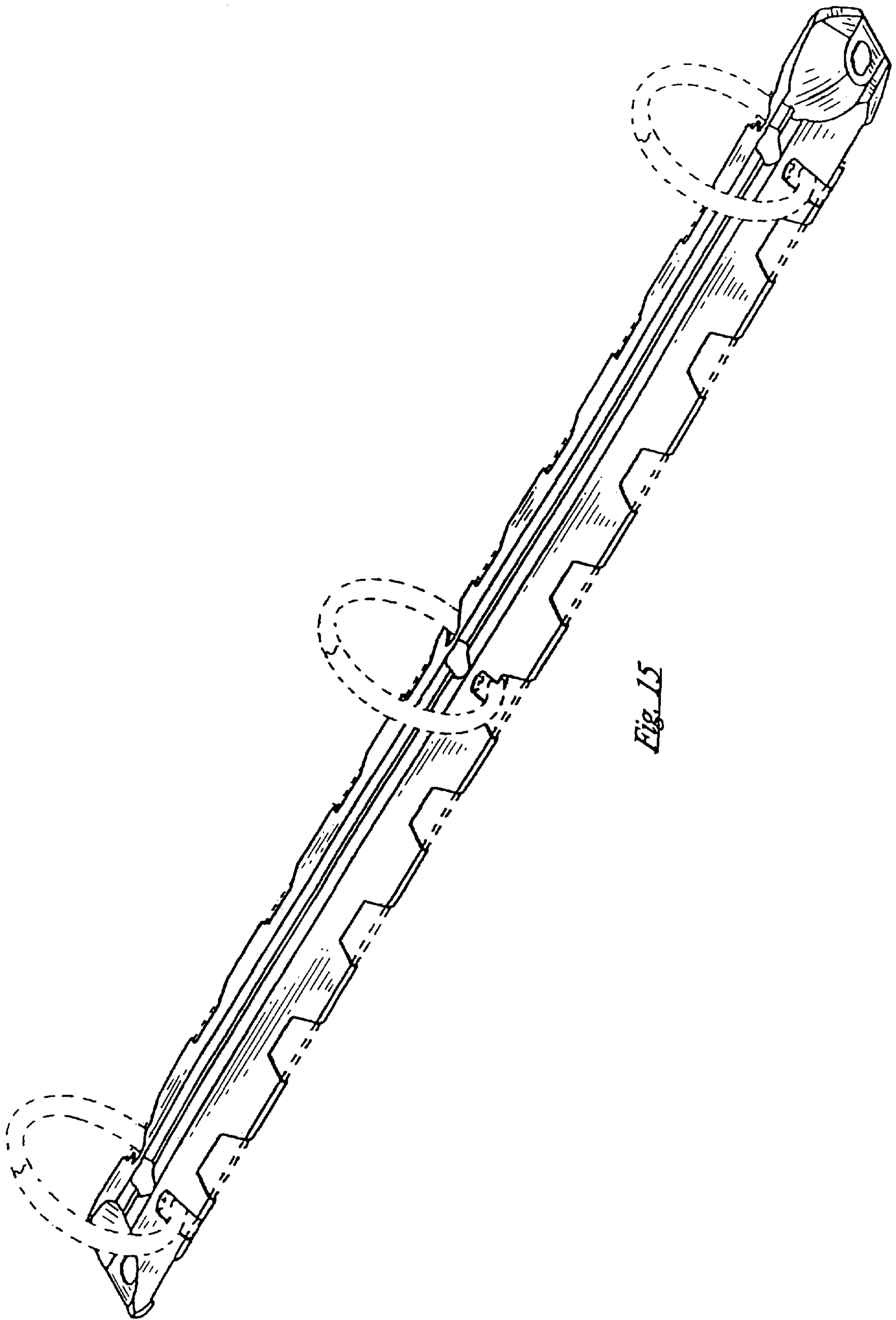
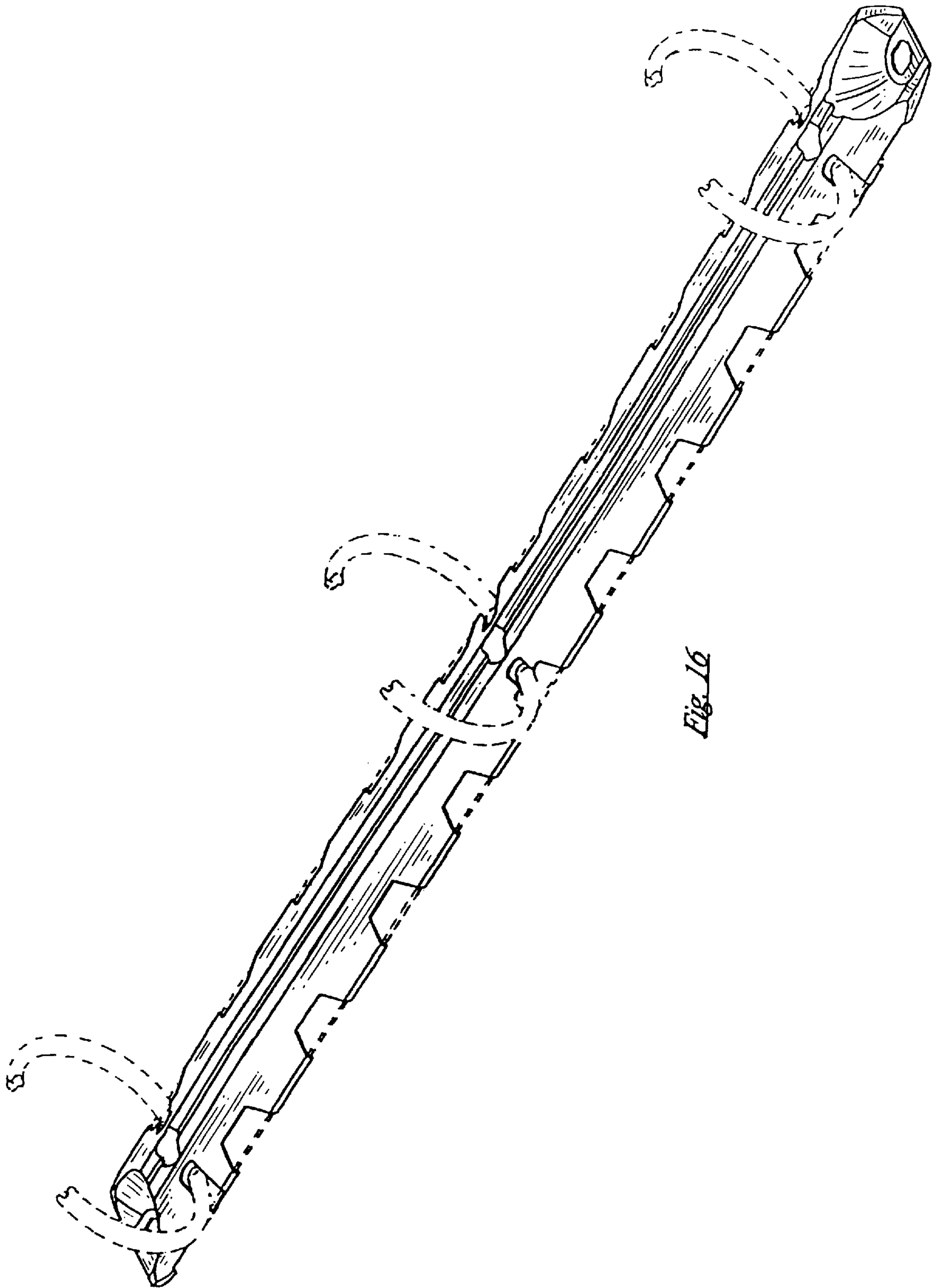


Fig. 15





*Fig. 16*



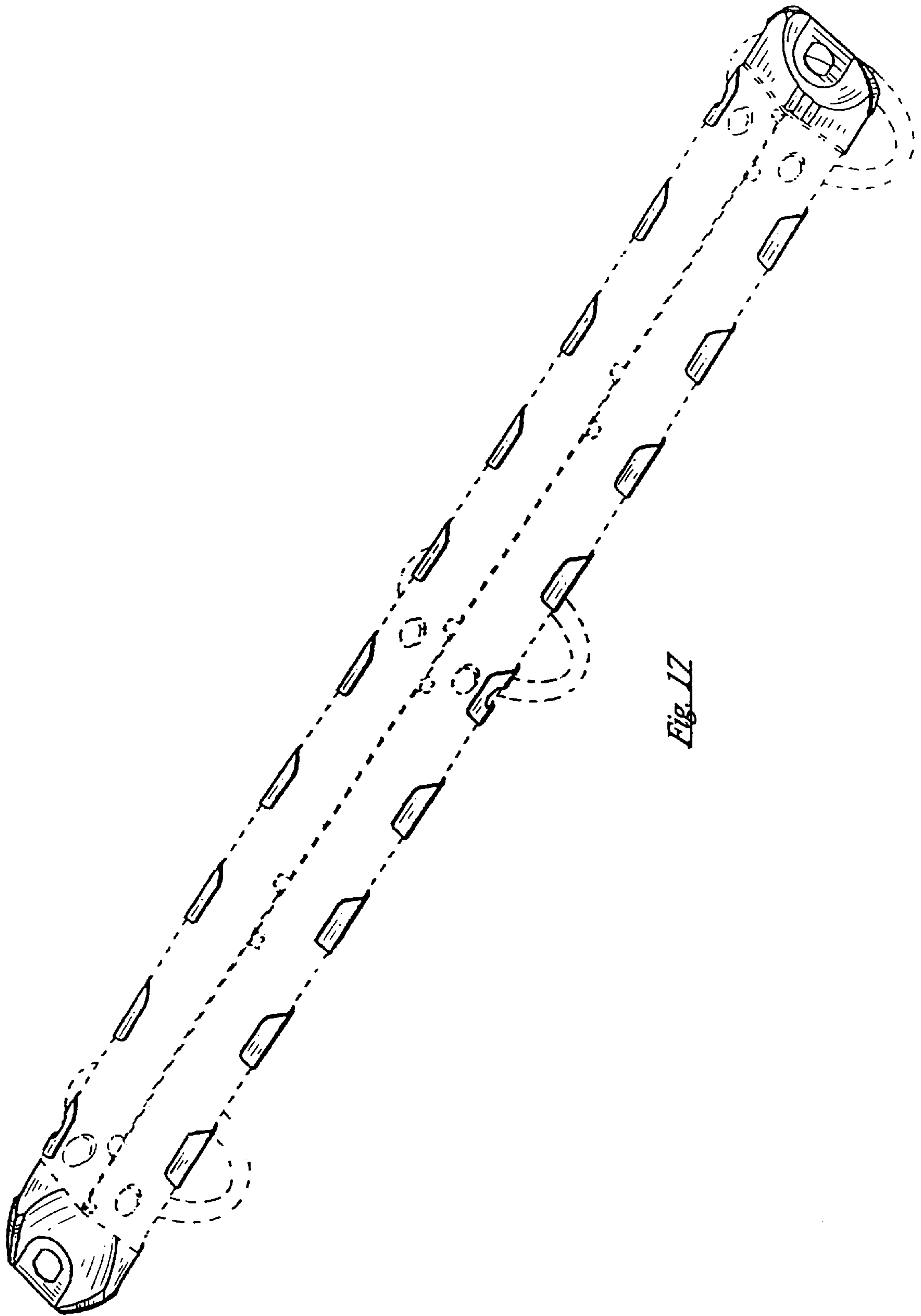
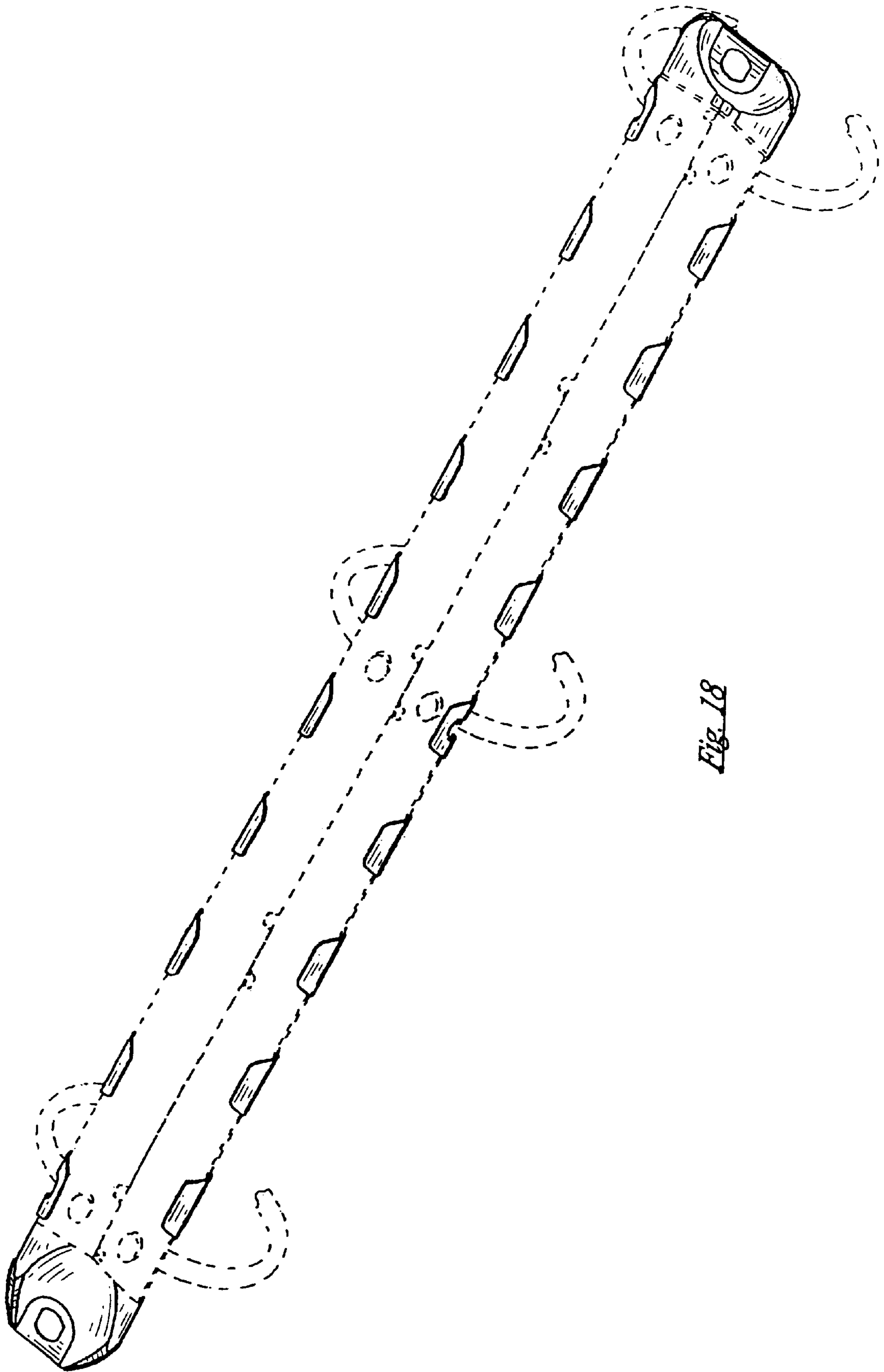
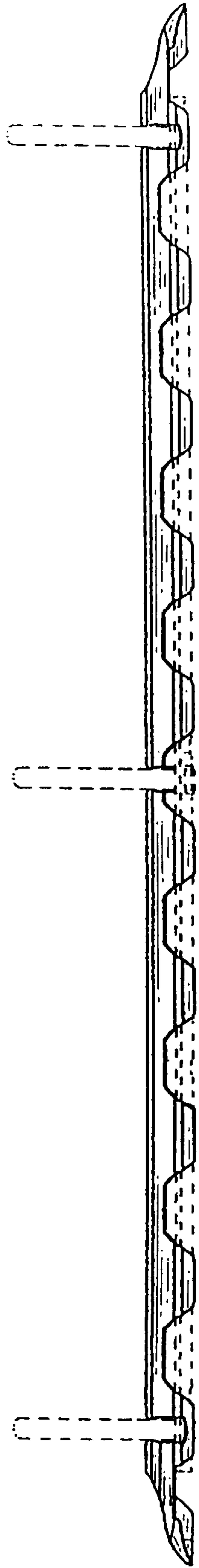


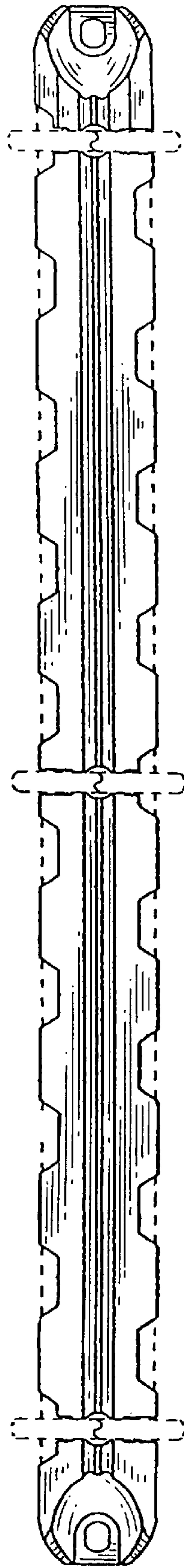
Fig. 17



*Fig. 18*

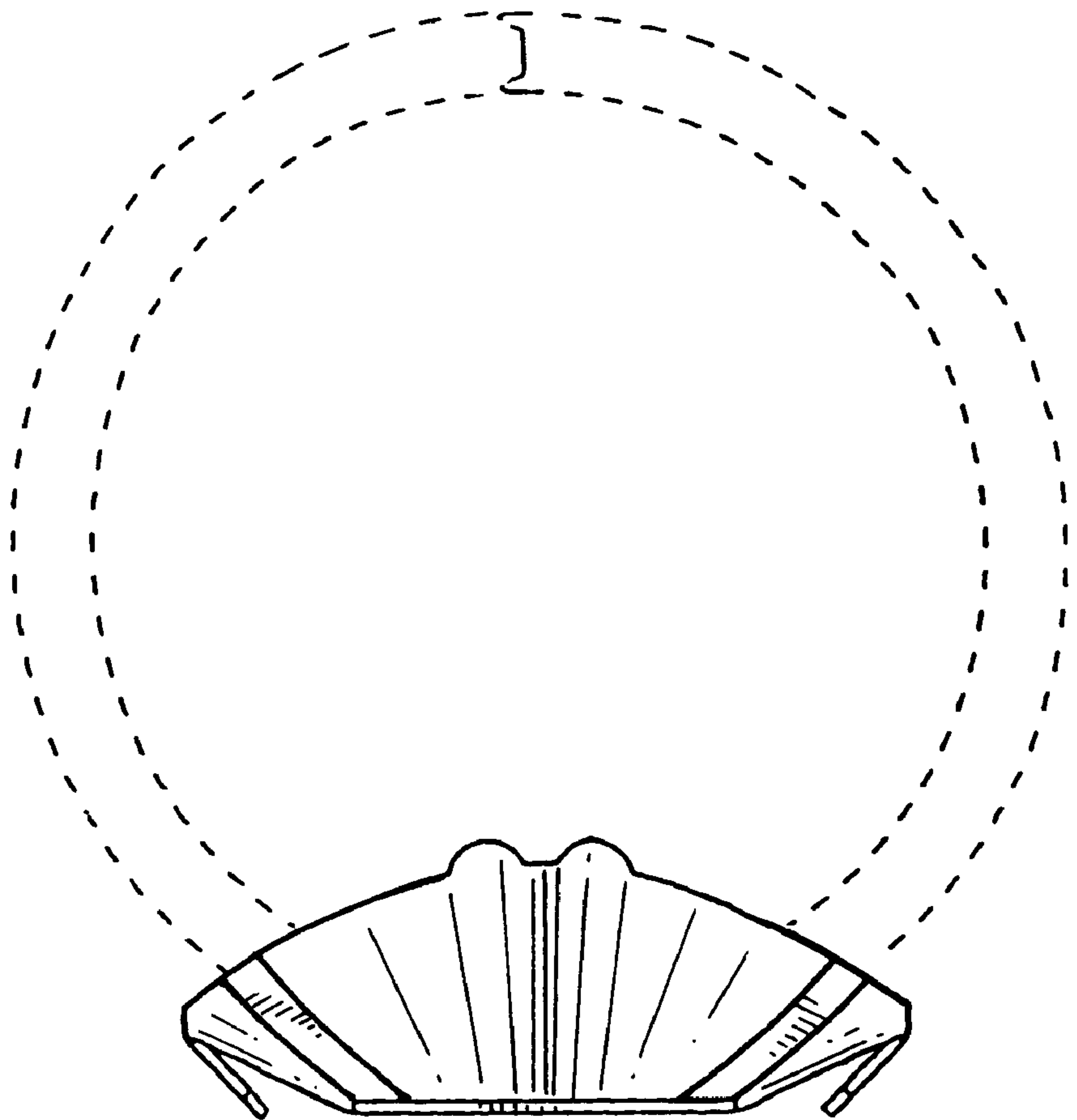


*Fig. 19*



*Fig. 20*

*Fig. 21*



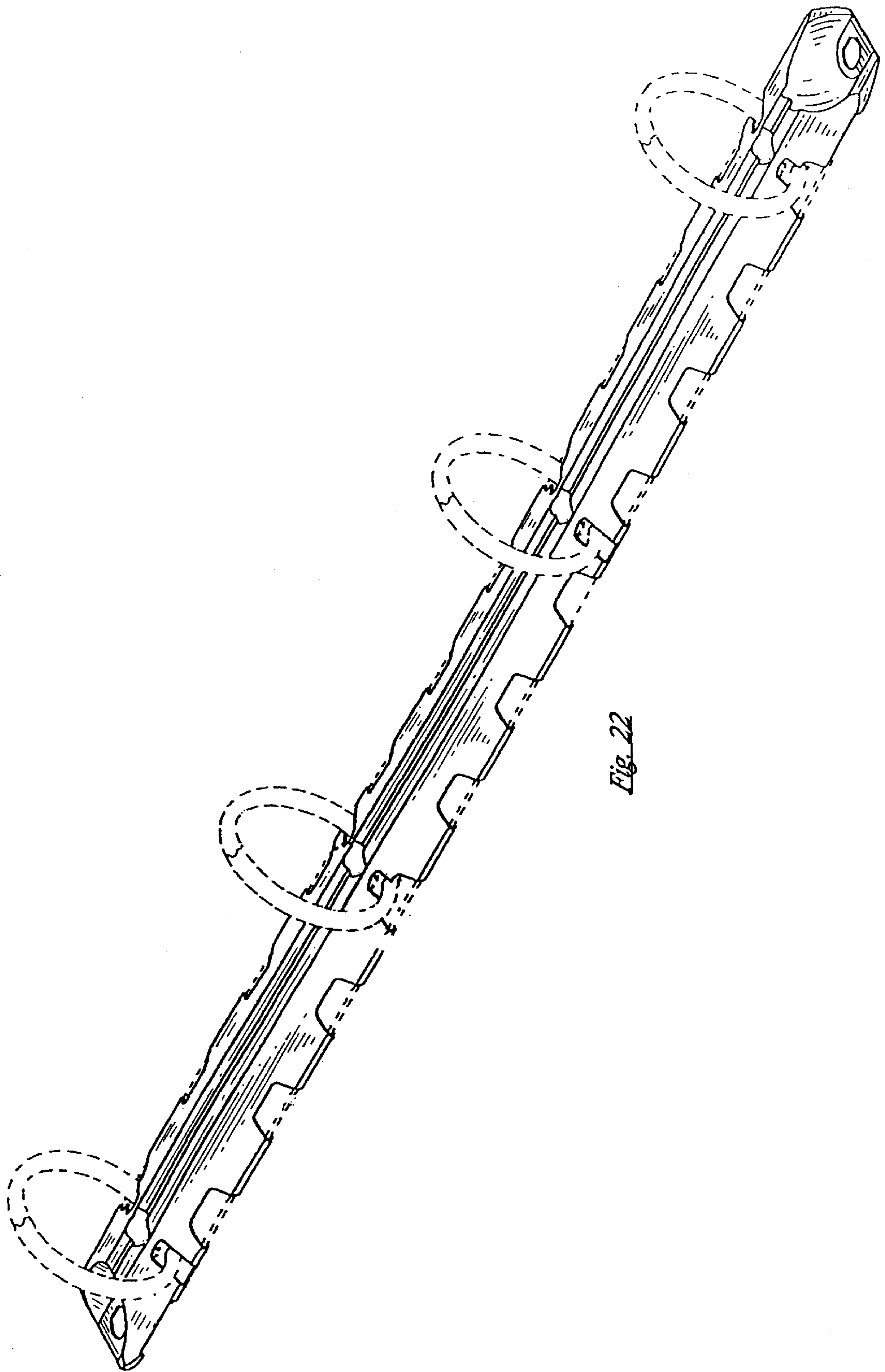
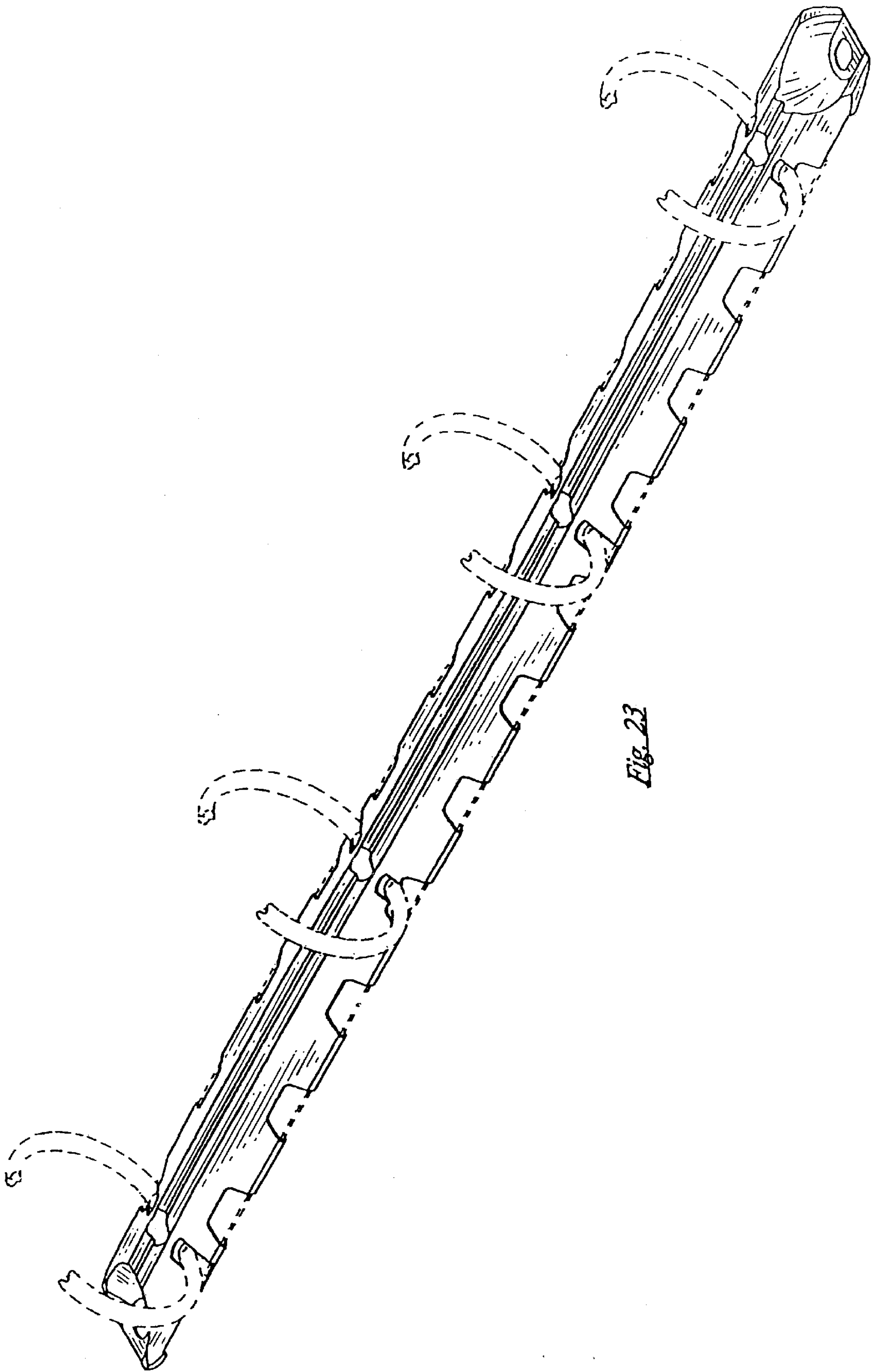


Fig. 22





*Fig. 23*

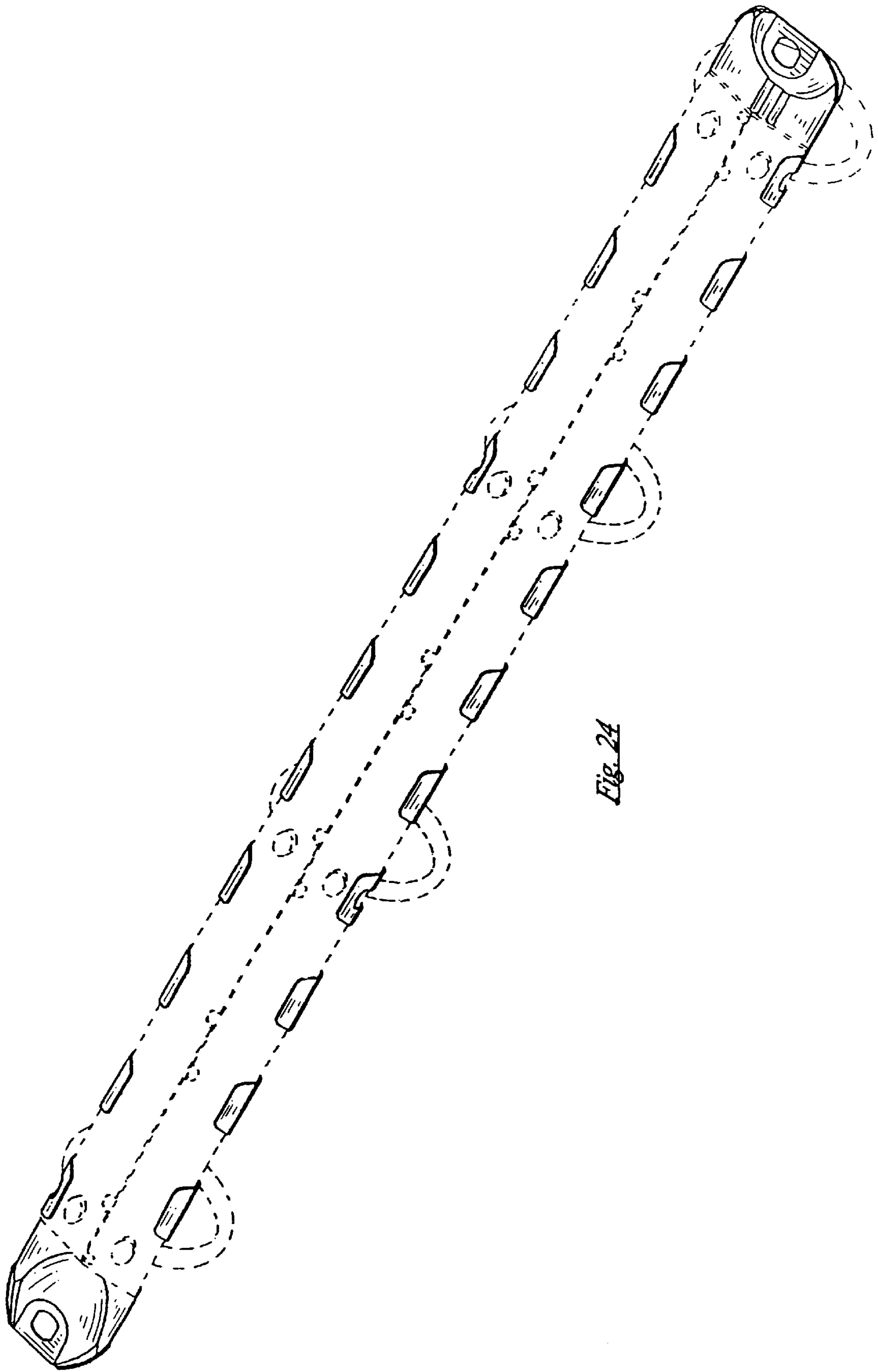


Fig. 24

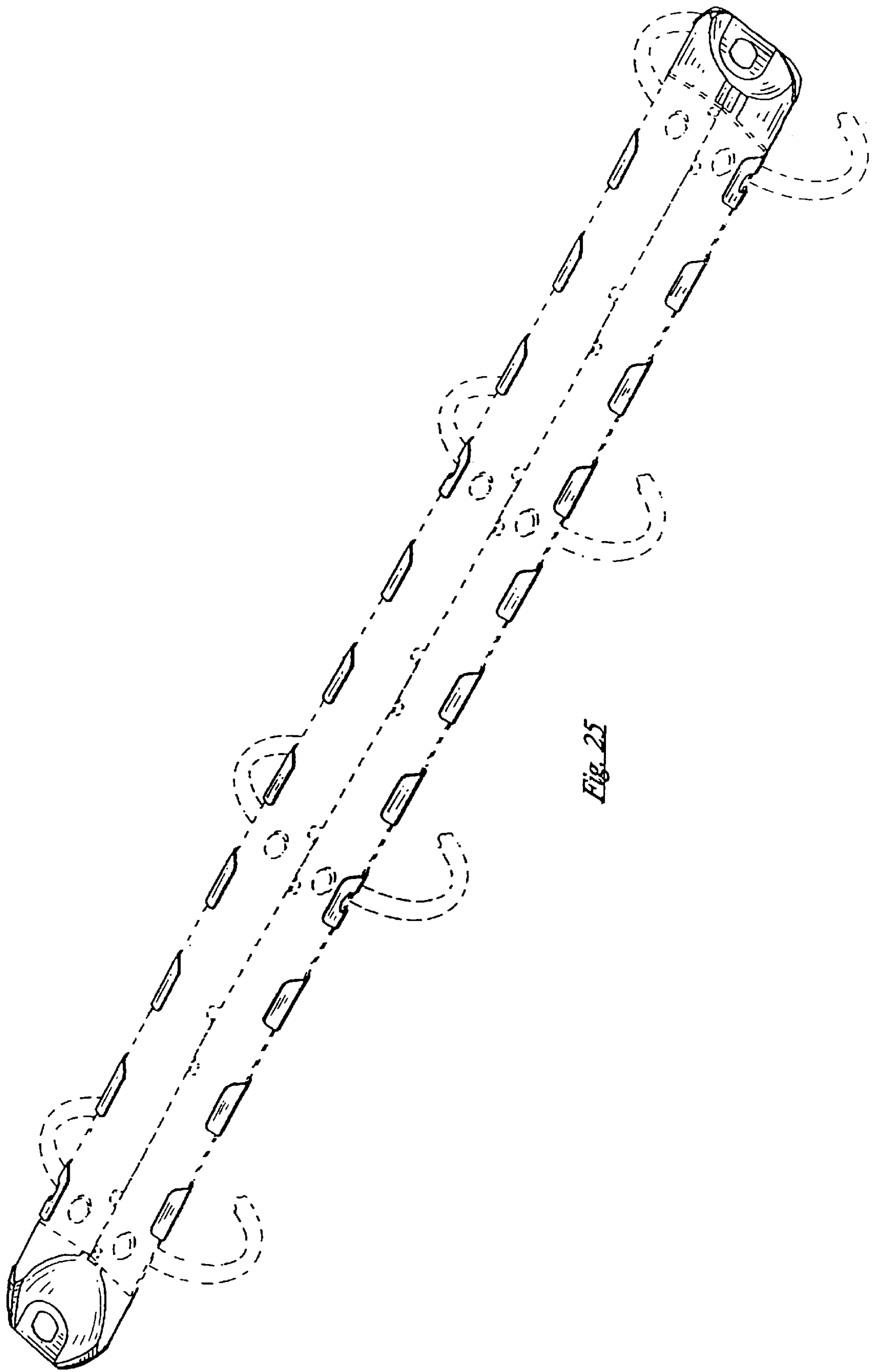
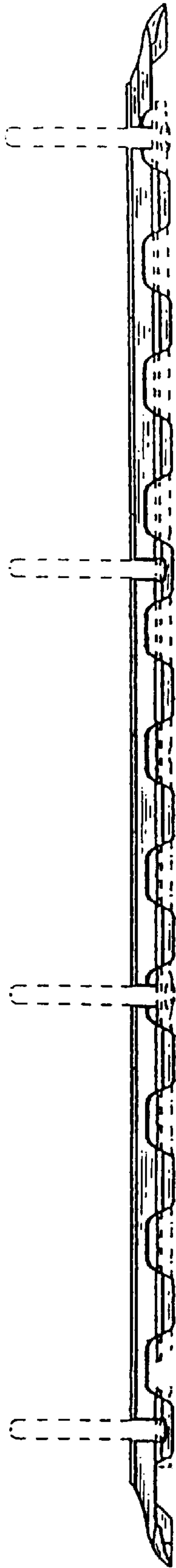
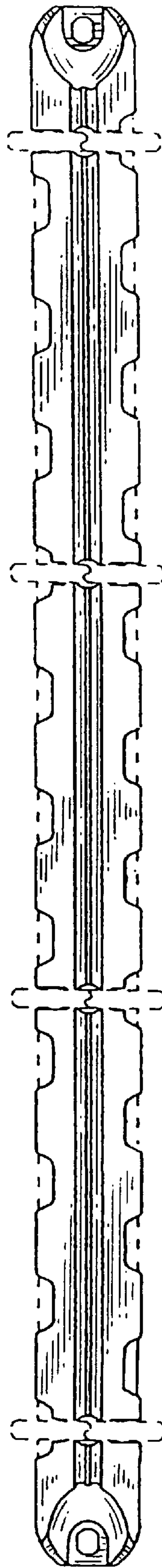


Fig. 25



*Fig. 26*



*Fig. 27*

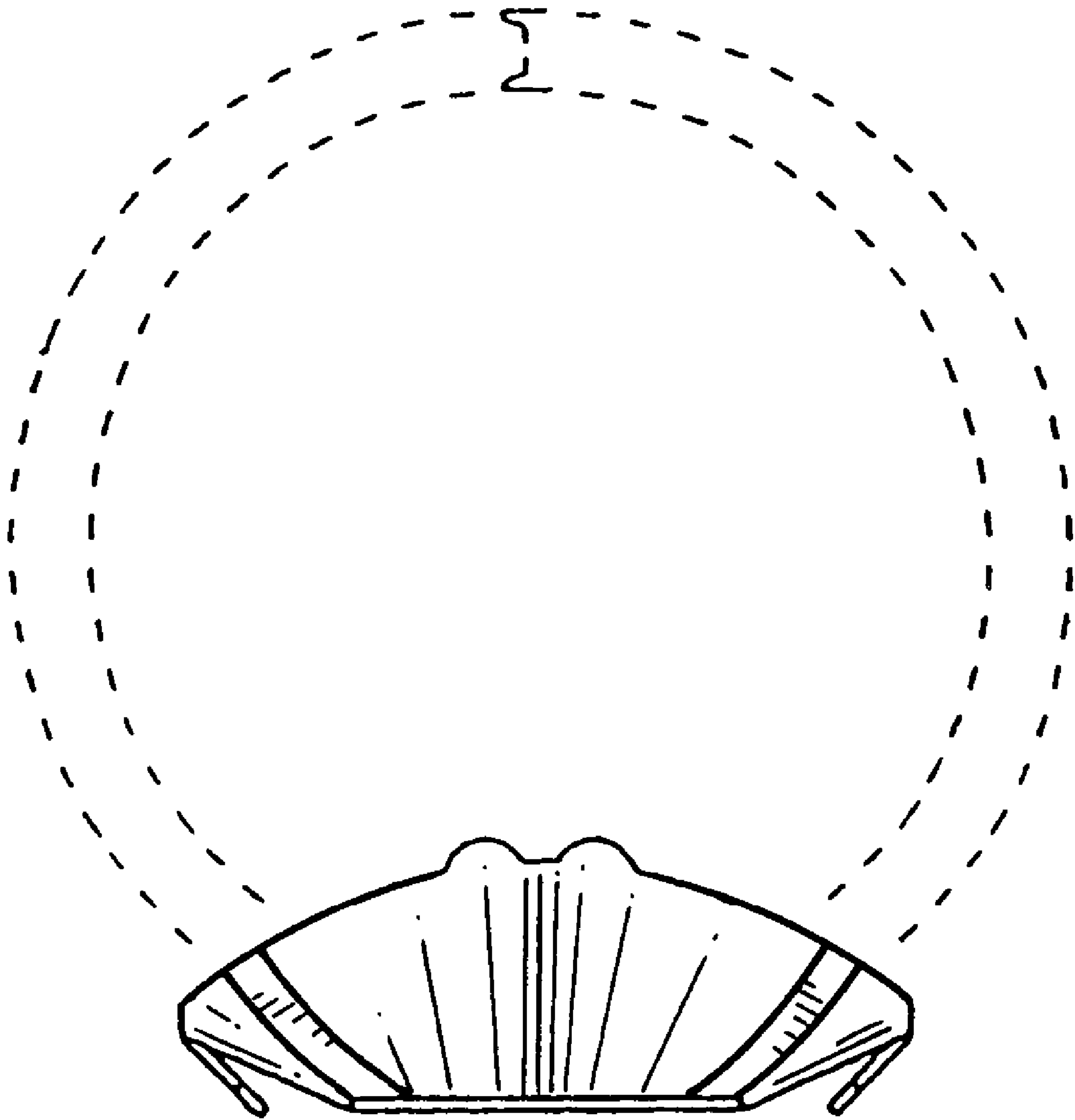


Fig. 28