



US00D460106S

(12) **United States Design Patent**
Yamada et al.

(10) **Patent No.:** **US D460,106 S**

(45) **Date of Patent:** **** Jul. 9, 2002**

(54) **INK CARTRIDGE**

D440,600 S * 4/2001 Seino et al. D18/56

(75) Inventors: **Manabu Yamada**, Matsumoto;
Chiyoshige Nakazawa, Suwa, both of
(JP)

* cited by examiner

Primary Examiner—Cathy Anne MacCormac
(74) *Attorney, Agent, or Firm*—Oliff & Berridge, PLC

(73) Assignee: **Seiko Epson Corporation**, Tokyo (JP)

(57) **CLAIM**

(**) Term: **14 Years**

The ornamental design for ink cartridge, as shown and described.

(21) Appl. No.: **29/128,009**

DESCRIPTION

(22) Filed: **Aug. 17, 2000**

(30) **Foreign Application Priority Data**

Feb. 17, 2000 (JP) 2000-002847

(51) **LOC (7) Cl.** **18-02**

(52) **U.S. Cl.** **D18/56; 347/86**

(58) **Field of Search** D18/43, 56; 347/86,
347/87

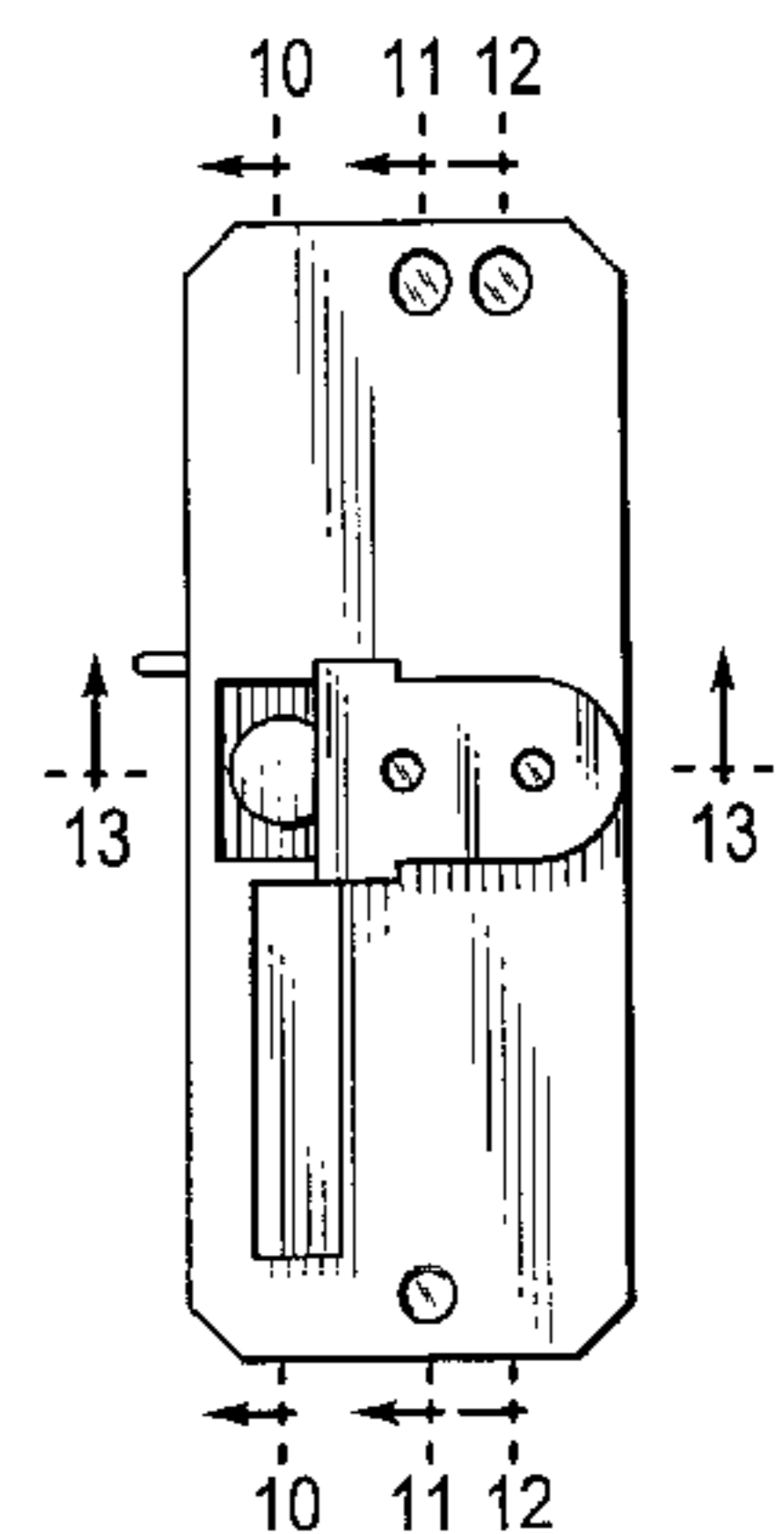
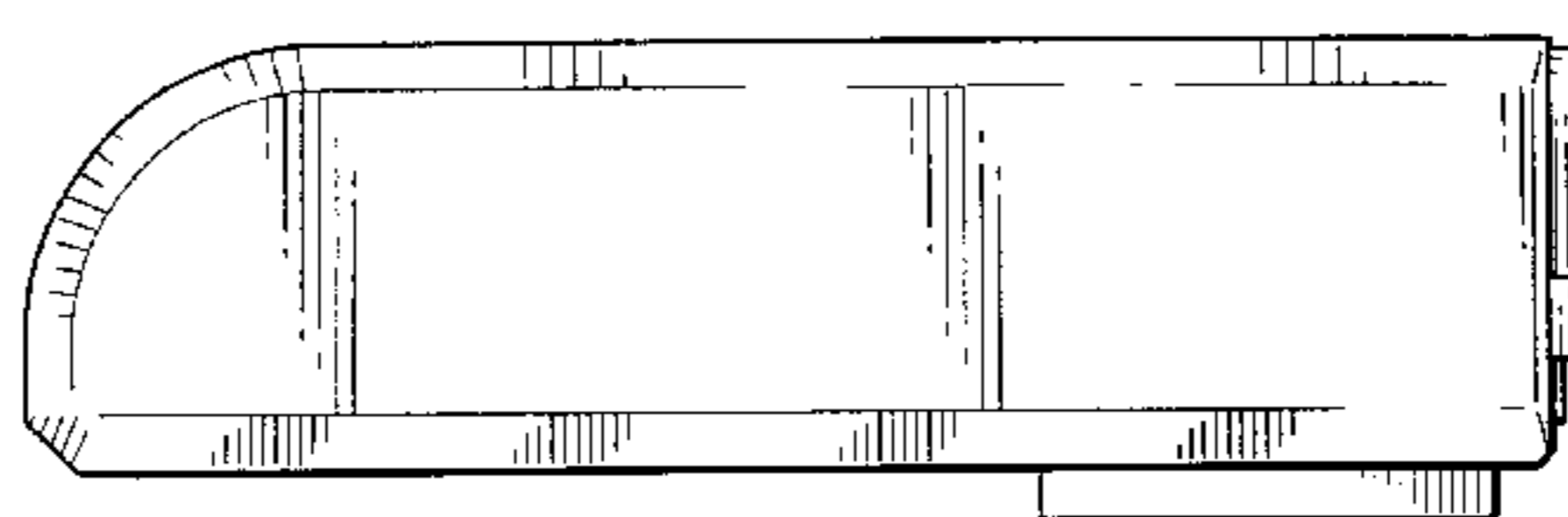
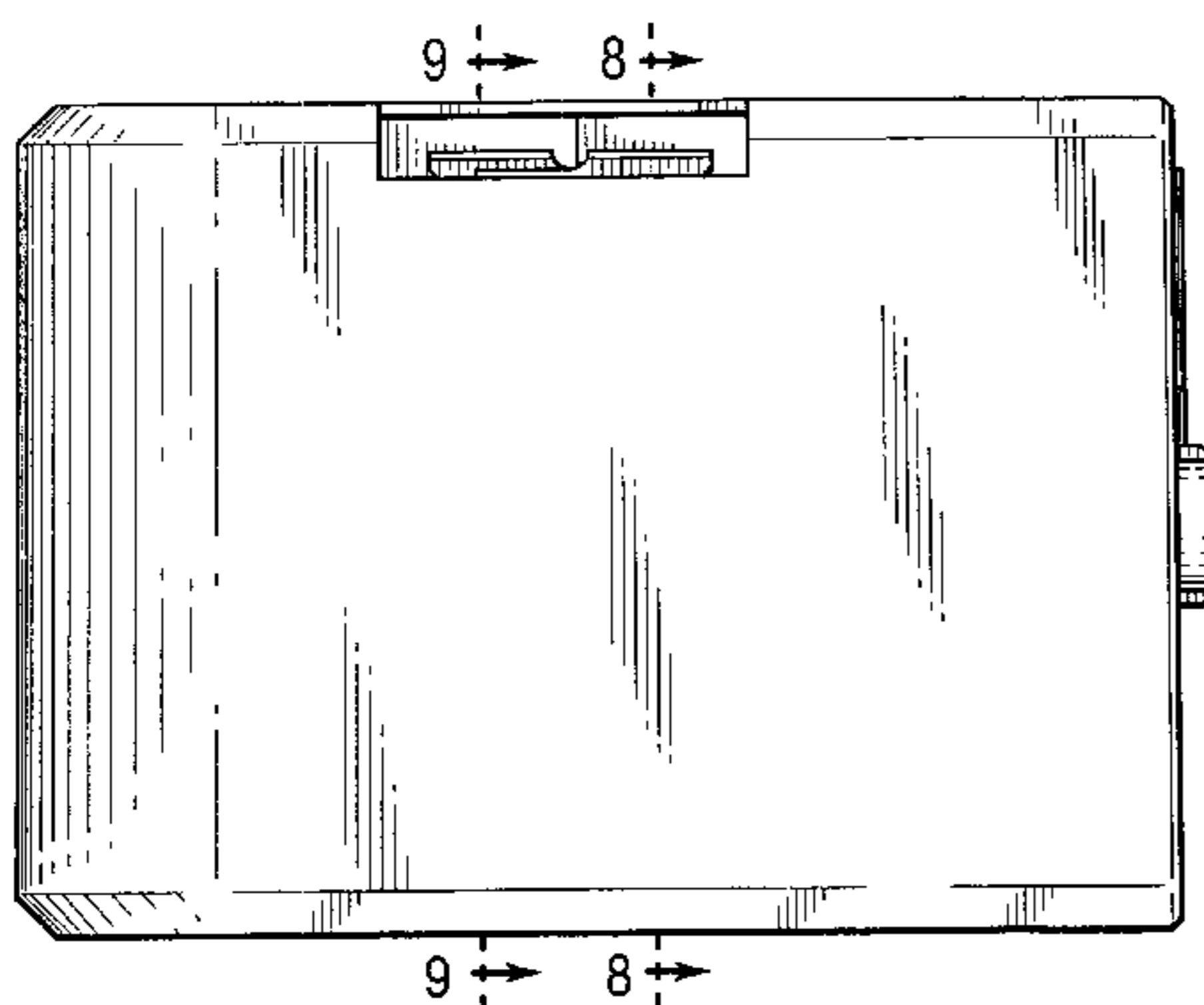
FIG. 1 is a front view of the ink cartridge;
FIG. 2 is a rear view thereof;
FIG. 3 is a top view thereof;
FIG. 4 is a bottom view thereof;
FIG. 5 is a right side view thereof;
FIG. 6 is a left side view thereof;
FIG. 7 is a cross-sectional view thereof taken along the line 7—7 of FIG. 1;
FIG. 8 is a cross-sectional view thereof taken along the line 8—8 of FIG. 2;
FIG. 9 is a cross-sectional view thereof taken along the line 9—9 of FIG. 2;
FIG. 10 is a cross-sectional view thereof taken along the line 10—10 of FIG. 5;
FIG. 11 is a cross-sectional view thereof taken along the line 11—11 of FIG. 5;
FIG. 12 is a cross-sectional view thereof taken along the line 12—12 of FIG. 5; and,
FIG. 13 is a cross-sectional view thereof taken along the line 13—13 of FIG. 5.

(56) **References Cited**

U.S. PATENT DOCUMENTS

- 5,025,271 A * 6/1991 Baker et al. 347/87
- D334,403 S * 3/1993 Kawakami D18/56
- D369,383 S * 4/1996 Miyazawa et al. D18/56
- 5,619,237 A * 4/1997 Inoue et al. 347/86
- D390,598 S * 2/1998 Miyazawa et al. D18/56
- D418,159 S 12/1999 Nakazawa et al.
- D419,592 S 1/2000 Nakazawa et al.
- D438,241 S * 2/2001 Shinada et al. D18/56
- 6,206,513 B1 * 3/2001 Tajima et al. 347/86
- D439,925 S * 4/2001 Santhanam et al. D18/56

1 Claim, 6 Drawing Sheets



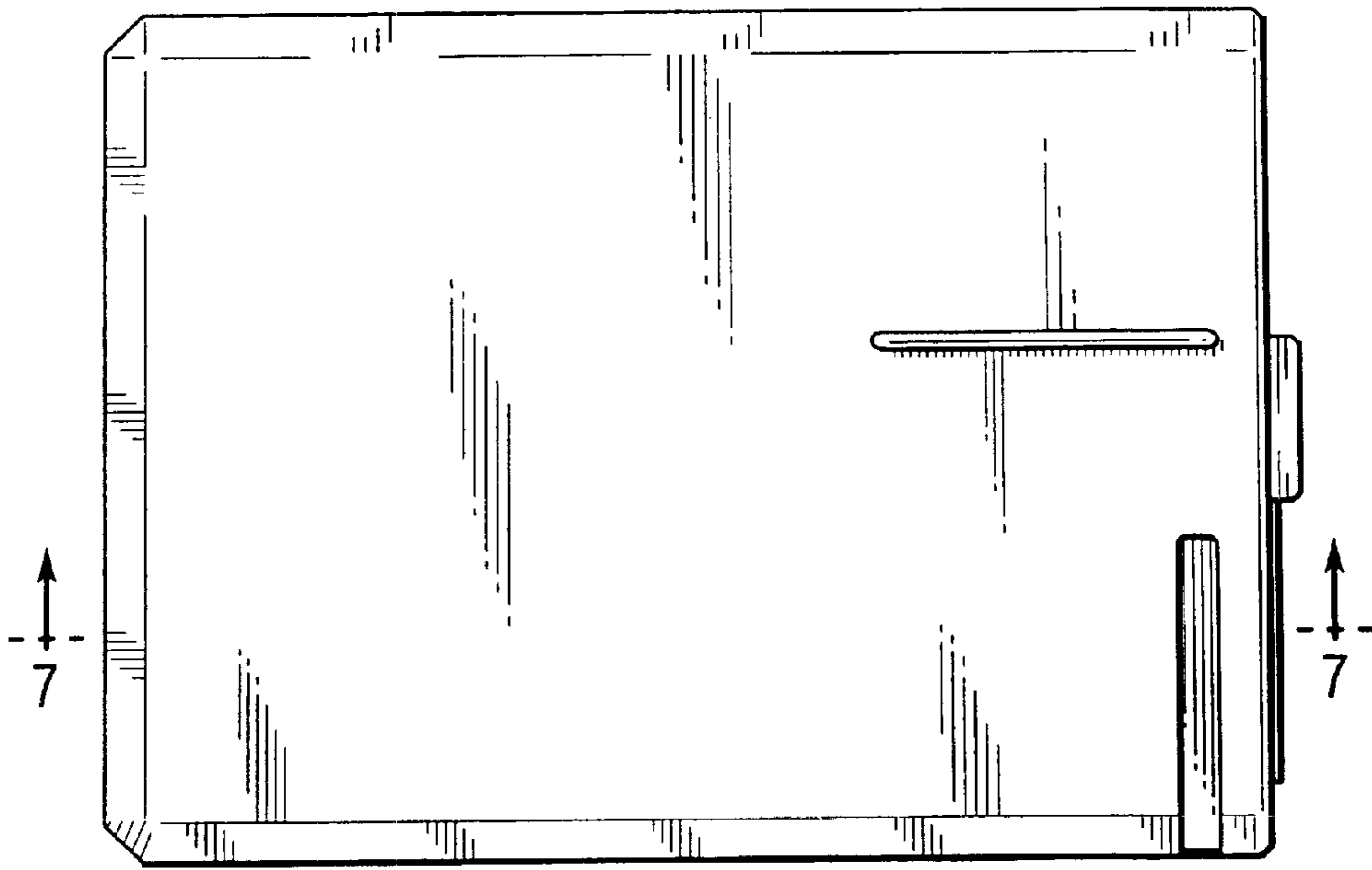


Fig. 1

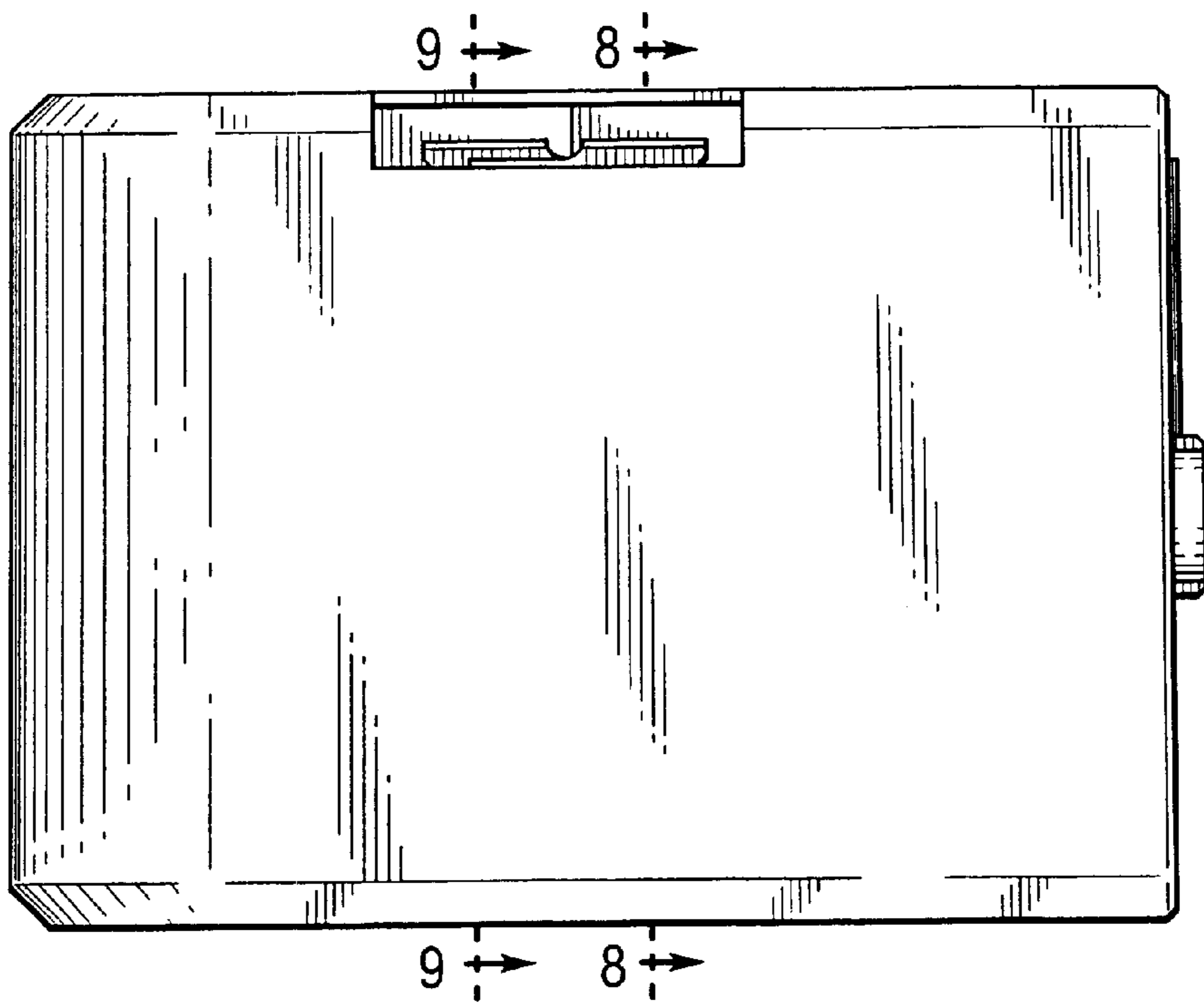


Fig. 2

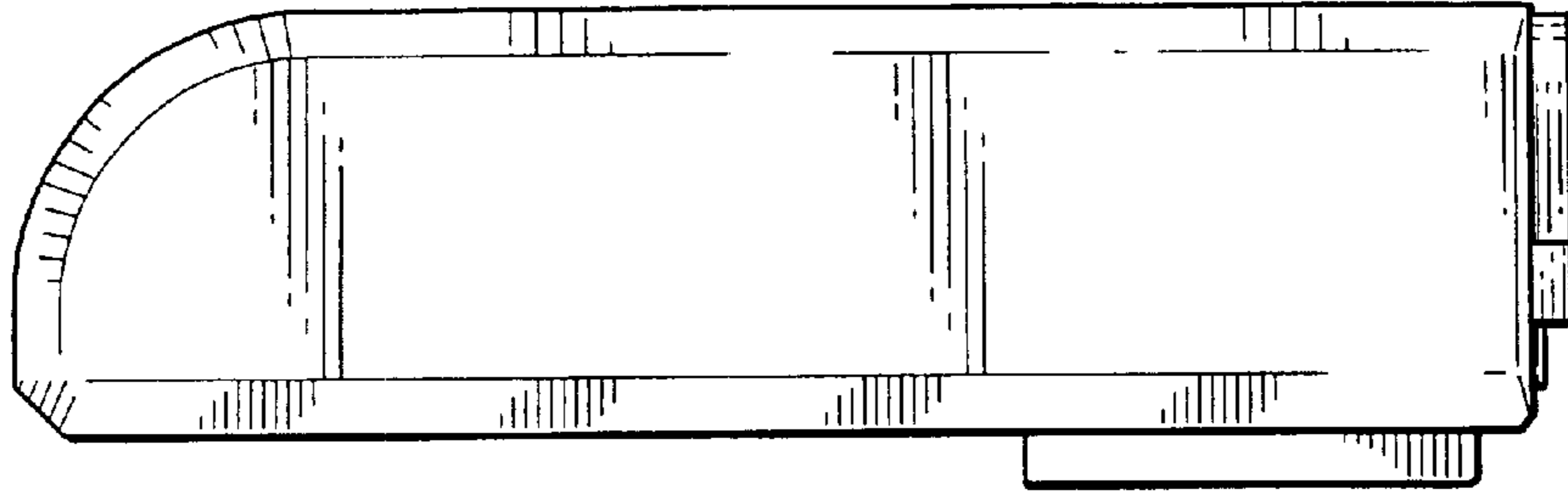


Fig. 3

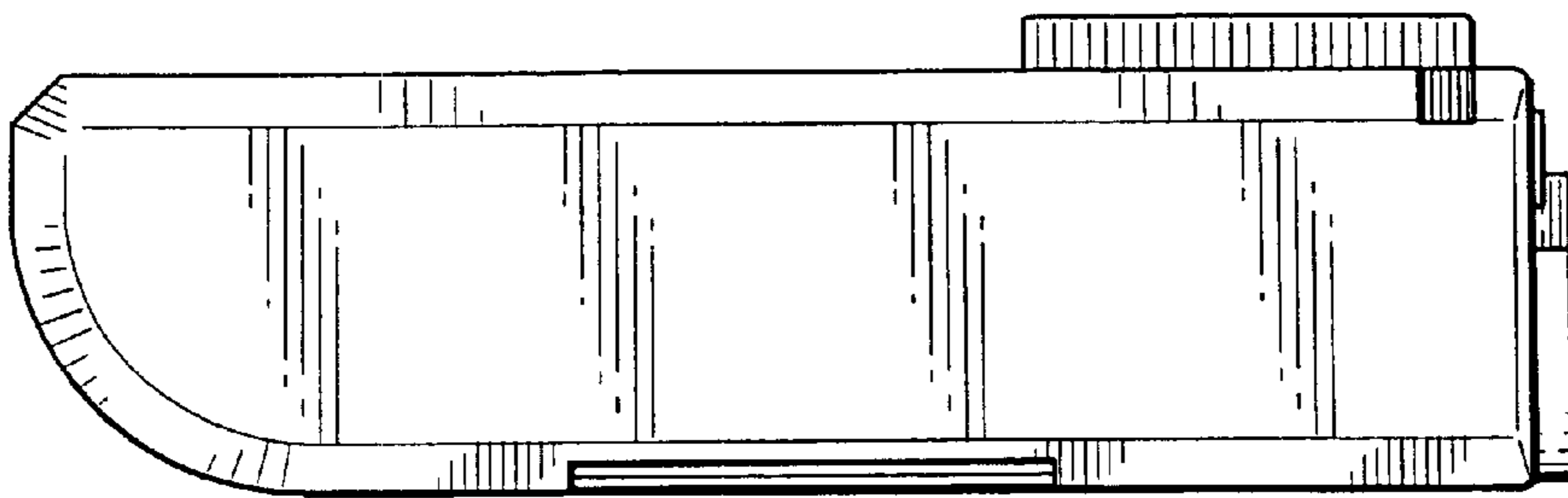


Fig. 4

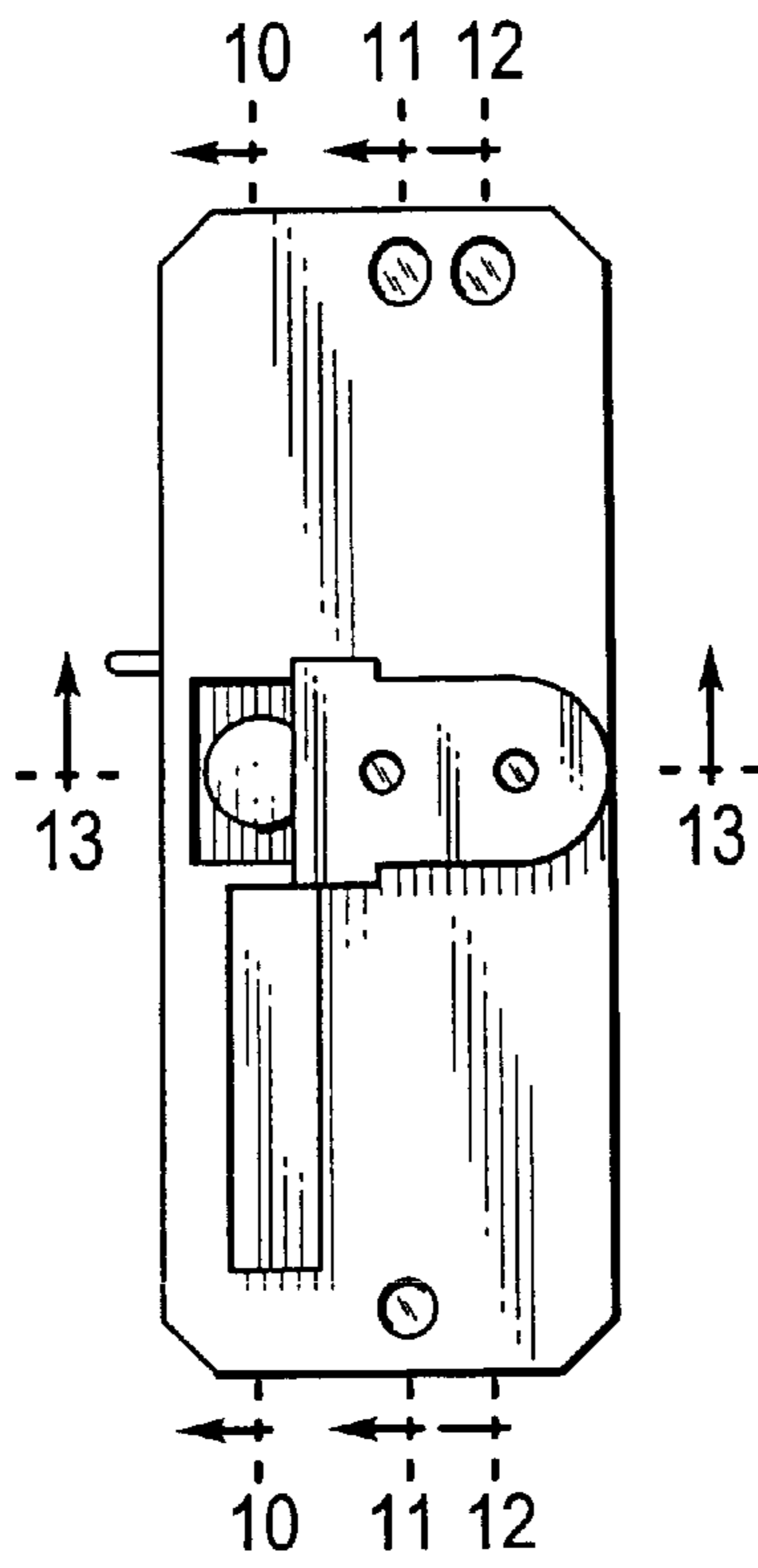


Fig. 5



Fig. 6

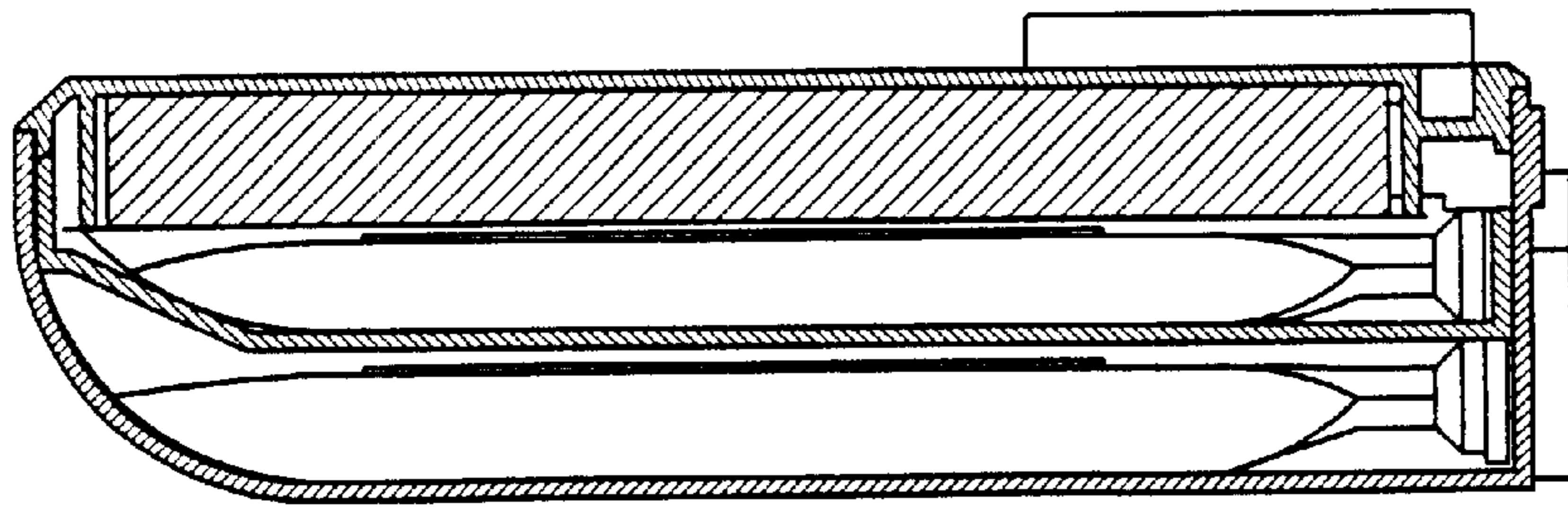


Fig. 7

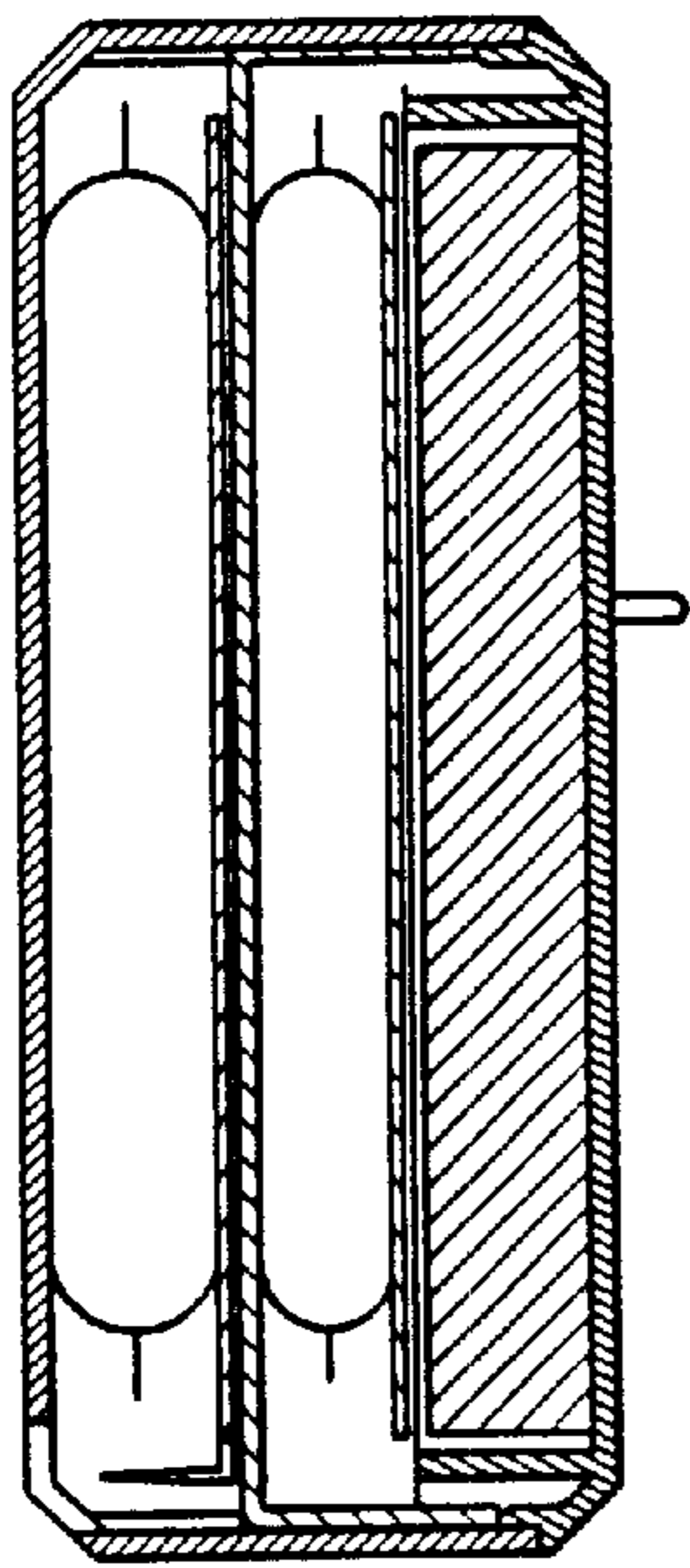


Fig. 8

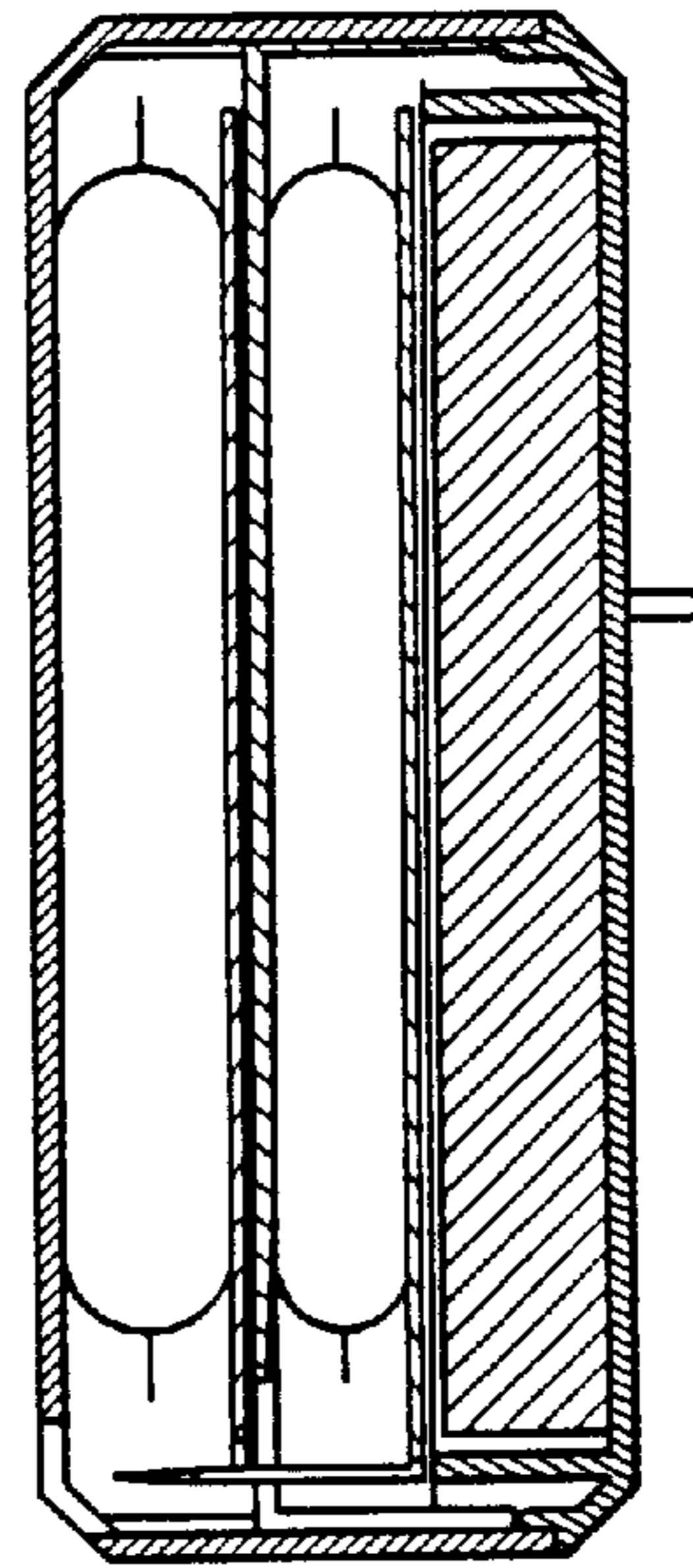


Fig. 9

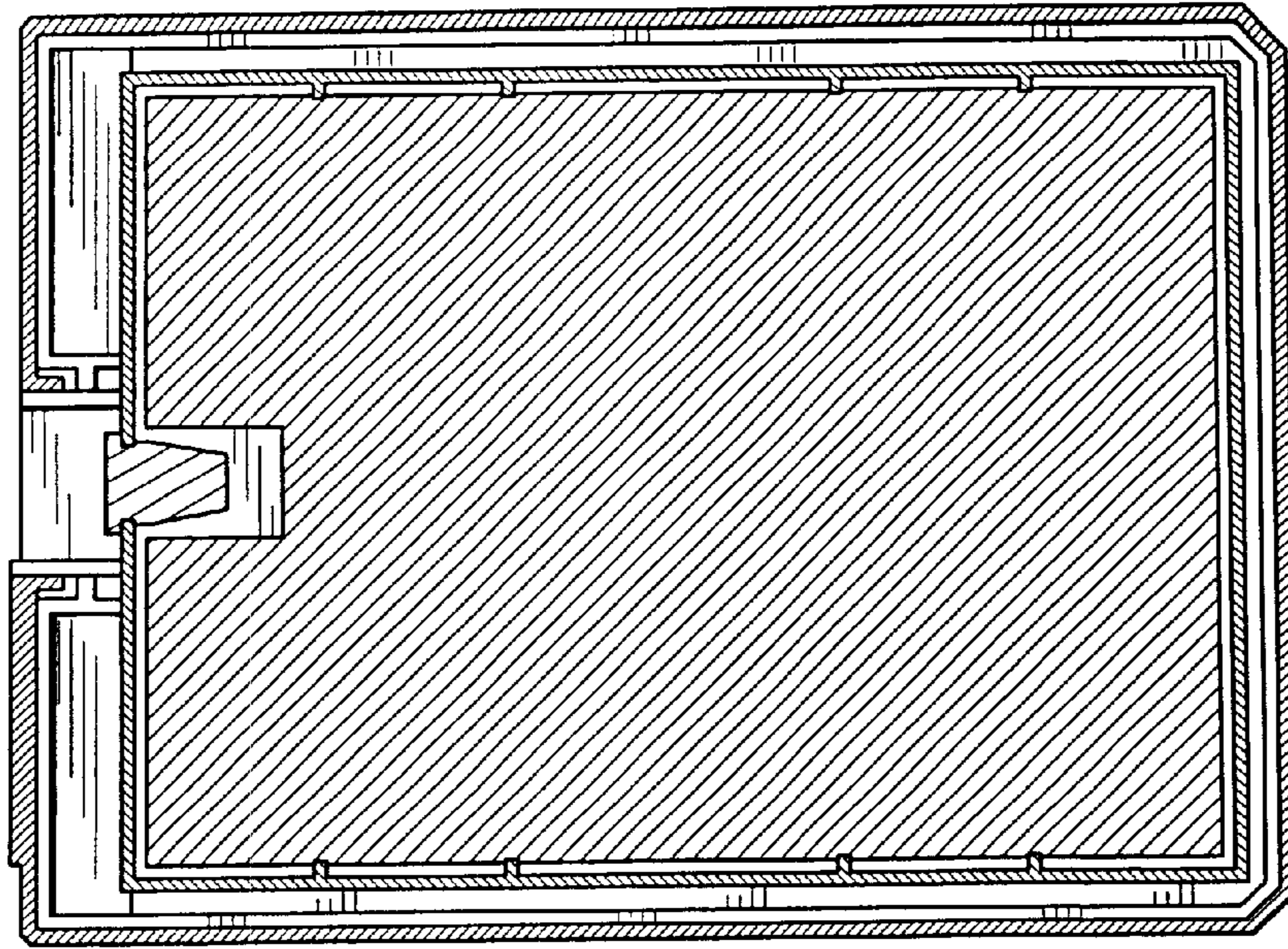


Fig. 10

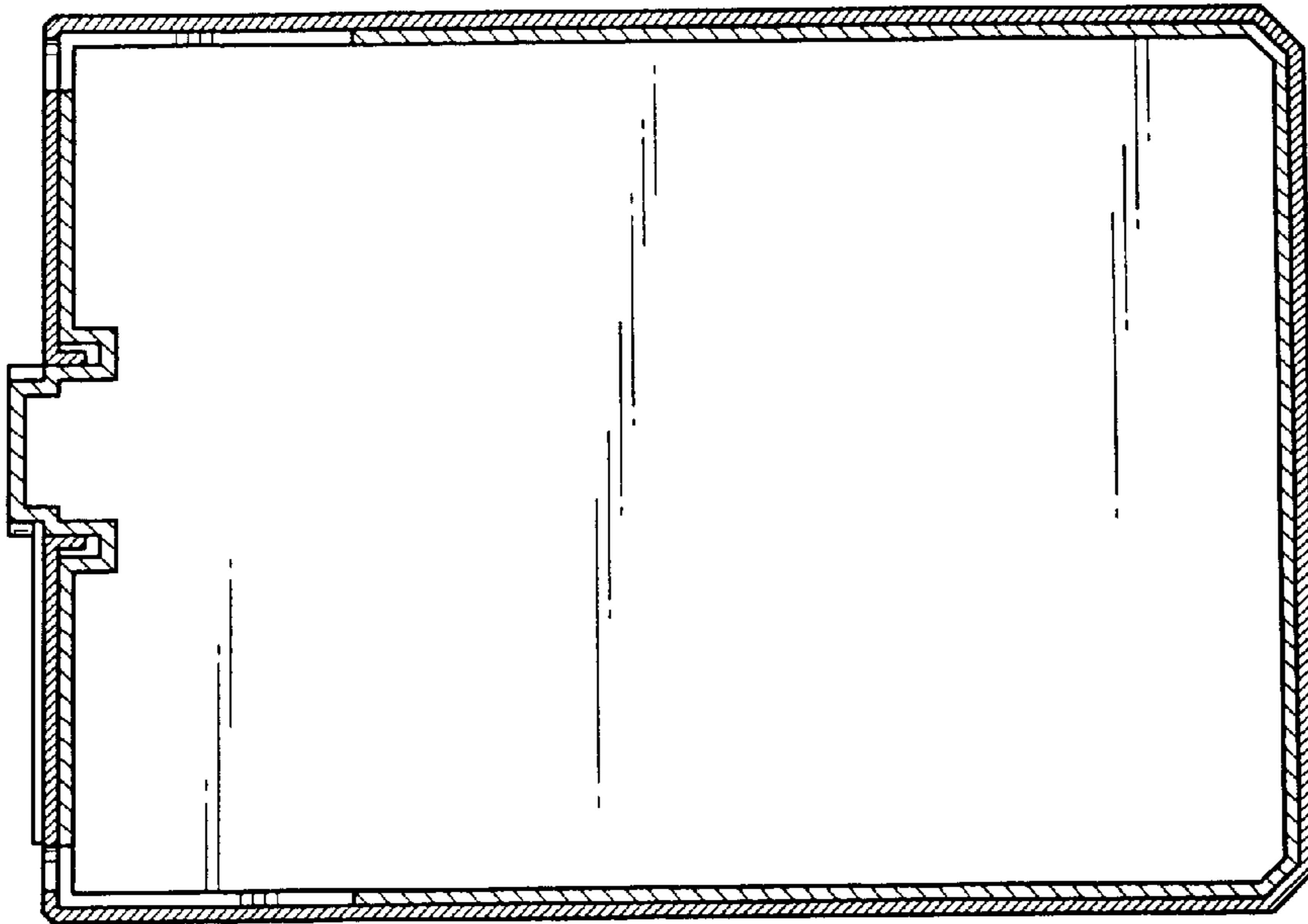


Fig. 11

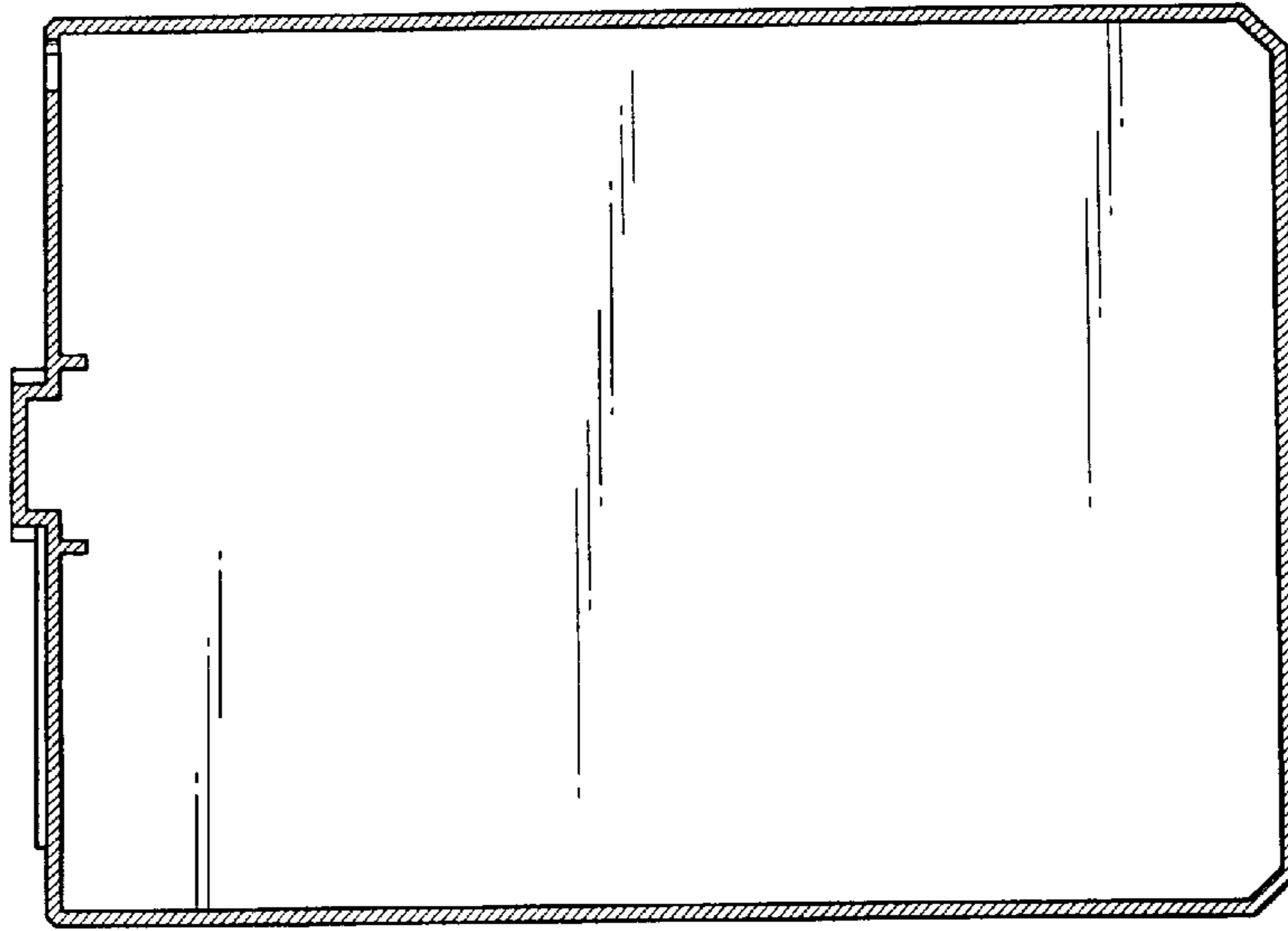


Fig. 12

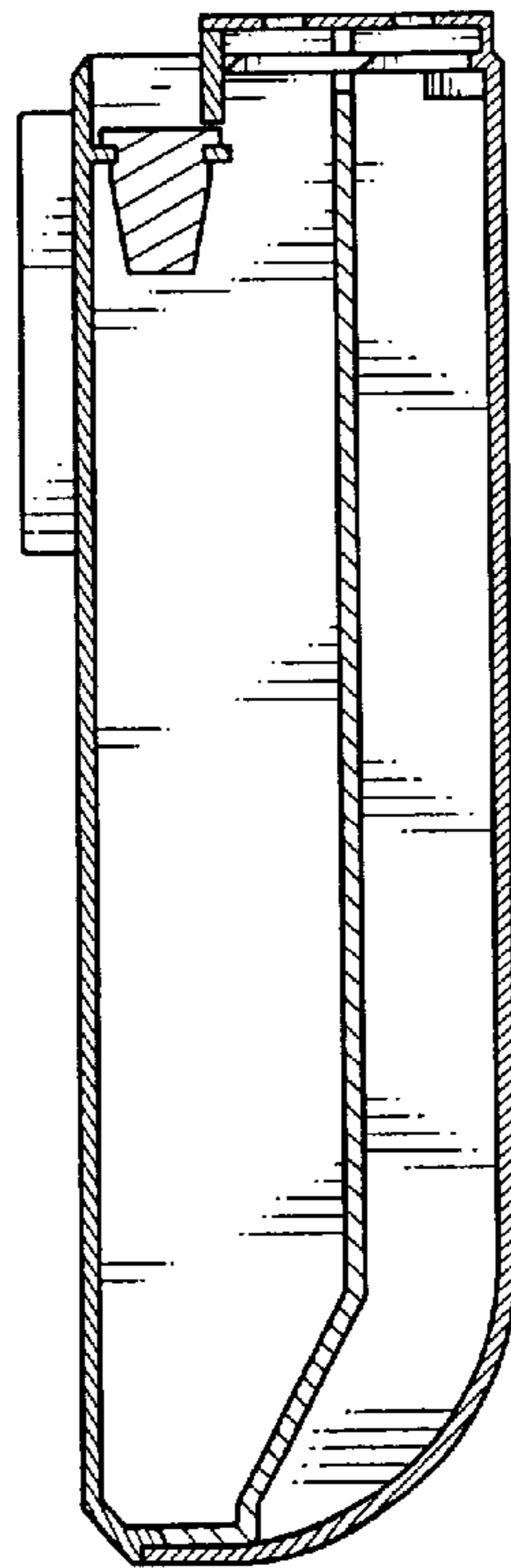


Fig. 13