



US00D460102S

(12) **United States Design Patent**  
**Perkitny**

(10) **Patent No.:** **US D460,102 S**

(45) **Date of Patent:** **\*\* Jul. 9, 2002**

(54) **COIN SORTER**

D436,120 S \* 1/2001 Nottingham et al. .... D18/3.1  
D445,990 S \* 7/2001 Knox, Jr. et al. .... D99/34

(75) Inventor: **Jerzy Perkitny**, Lakewood, OH (US)

**OTHER PUBLICATIONS**

(73) Assignee: **Mag-Nif, Incorporated**, Mentor, OH (US)

Mag-Nif makes it in the U.S.A.! 1999 Brochure, front and back cover pages and pp. 1-18.

(\*\*) Term: **14 Years**

\* cited by examiner

(21) Appl. No.: **29/150,484**

*Primary Examiner*—Paula A. Mortimer

(22) Filed: **Nov. 16, 2001**

(74) *Attorney, Agent, or Firm*—Fay, Sharpe, Fagan, Minnich & McKee, LLP

(51) **LOC (7) Cl.** ..... **18-01**

(57) **CLAIM**

(52) **U.S. Cl.** ..... **D18/3.1; D99/34**

The ornamental design for a coin sorter, as shown and described.

(58) **Field of Search** ..... D99/34, 35, 36,  
D99/37; D18/3.1, 4.1, 12.1; 232/4 R, 5;  
D20/7; 446/8, 9, 10, 11, 12, 13; 453/3,  
9, 10, 12, 13, 15

**DESCRIPTION**

(56) **References Cited**

FIG. 1 is a perspective view of a coin sorter illustrating my new design;

**U.S. PATENT DOCUMENTS**

FIG. 2 is a left side elevational view thereof;

- D283,075 S \* 3/1986 Spirk, Jr. et al. .... D99/34
- D330,384 S 10/1992 Knox
- D347,929 S 6/1994 Perkitny
- D359,152 S \* 6/1995 Adams et al. .... D99/34
- D393,530 S 4/1998 Perkitny
- D393,531 S 4/1998 Perkitny
- 6,099,401 A \* 8/2000 Perkitny ..... 453/9

FIG. 3 is a front elevational view thereof;

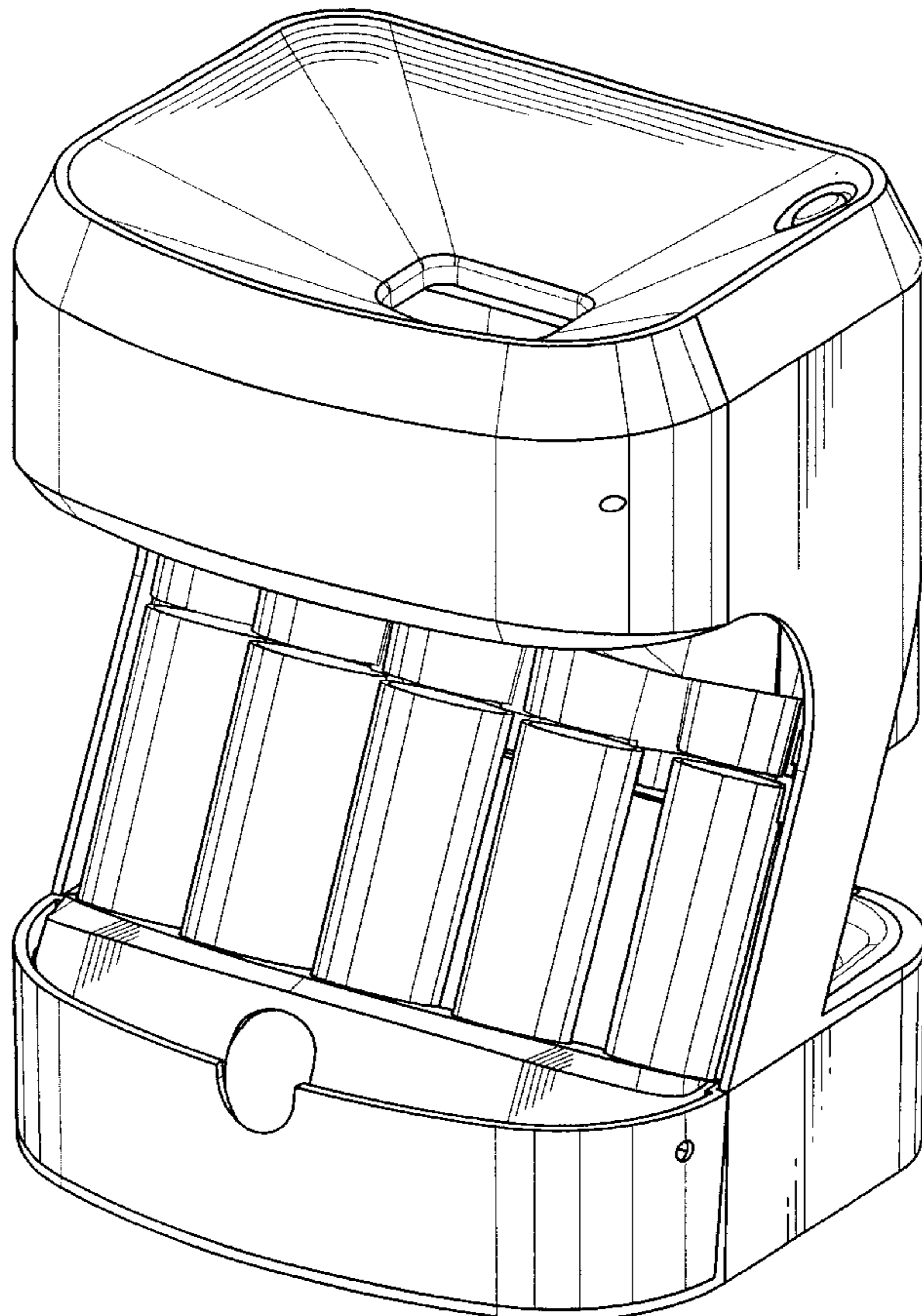
FIG. 4 is a right side elevational view thereof;

FIG. 5 is a rear elevational view thereof;

FIG. 6 is a top plan view thereof; and,

FIG. 7 is a bottom plan view thereof.

**1 Claim, 4 Drawing Sheets**



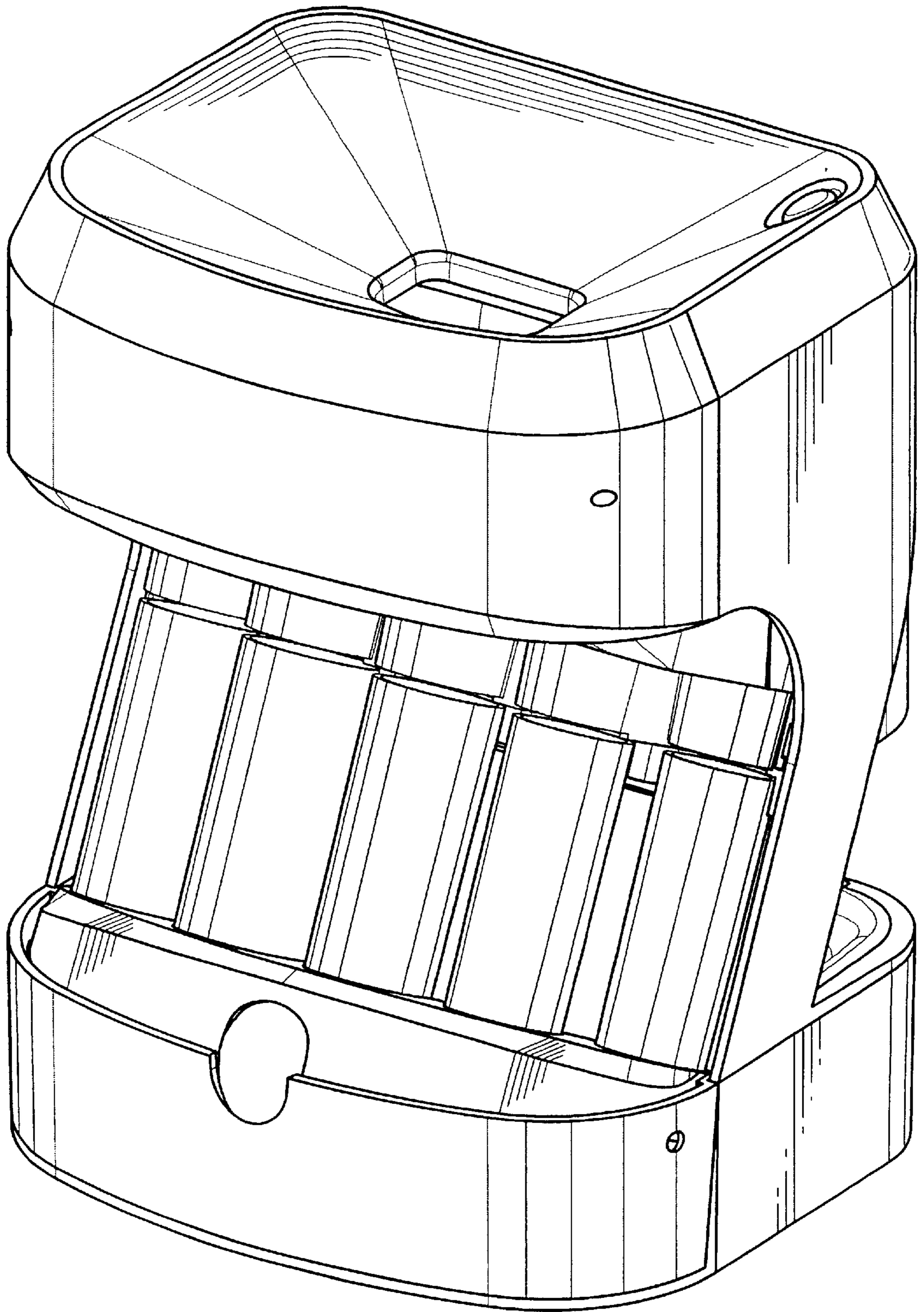


FIG. 1

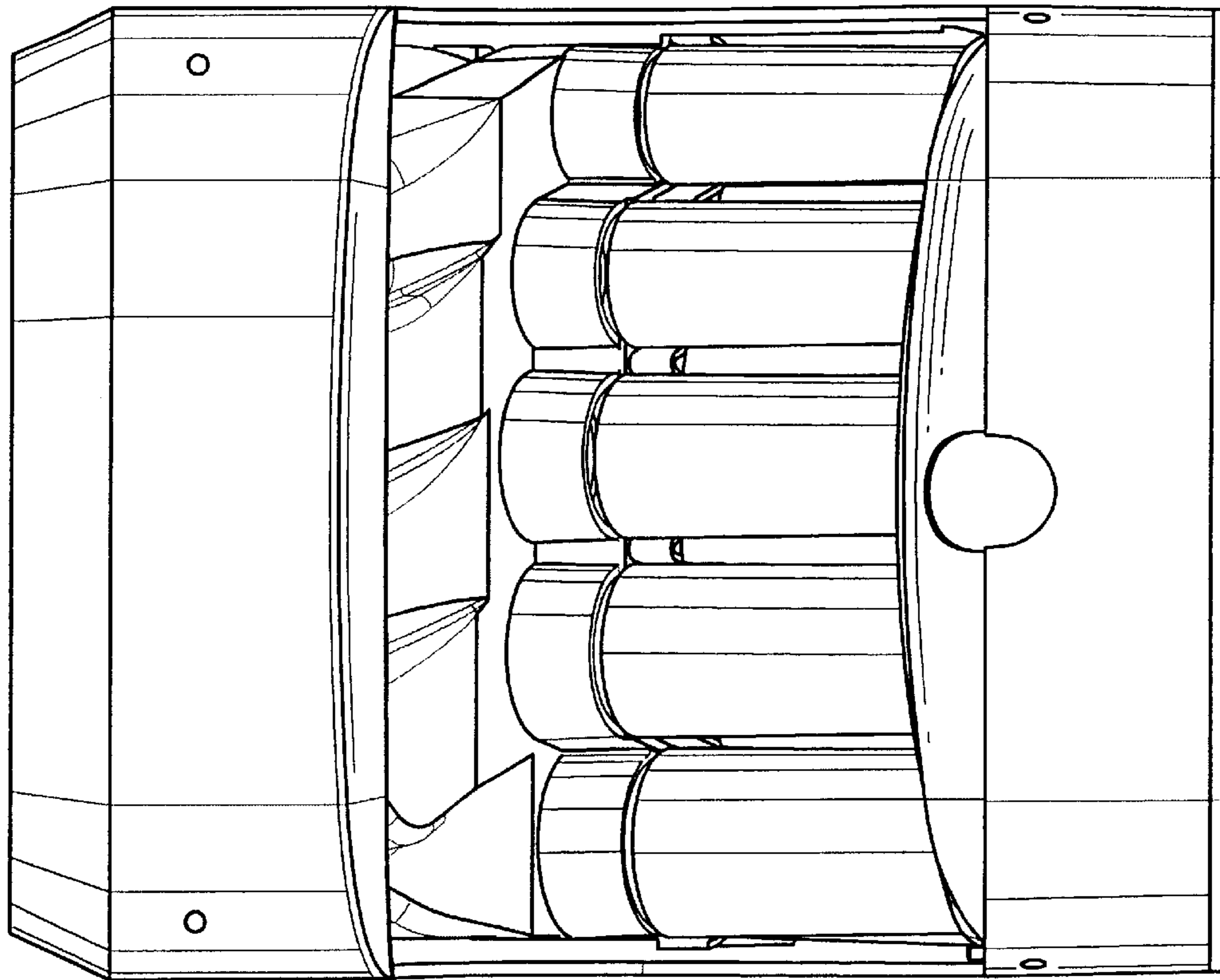


FIG. 3

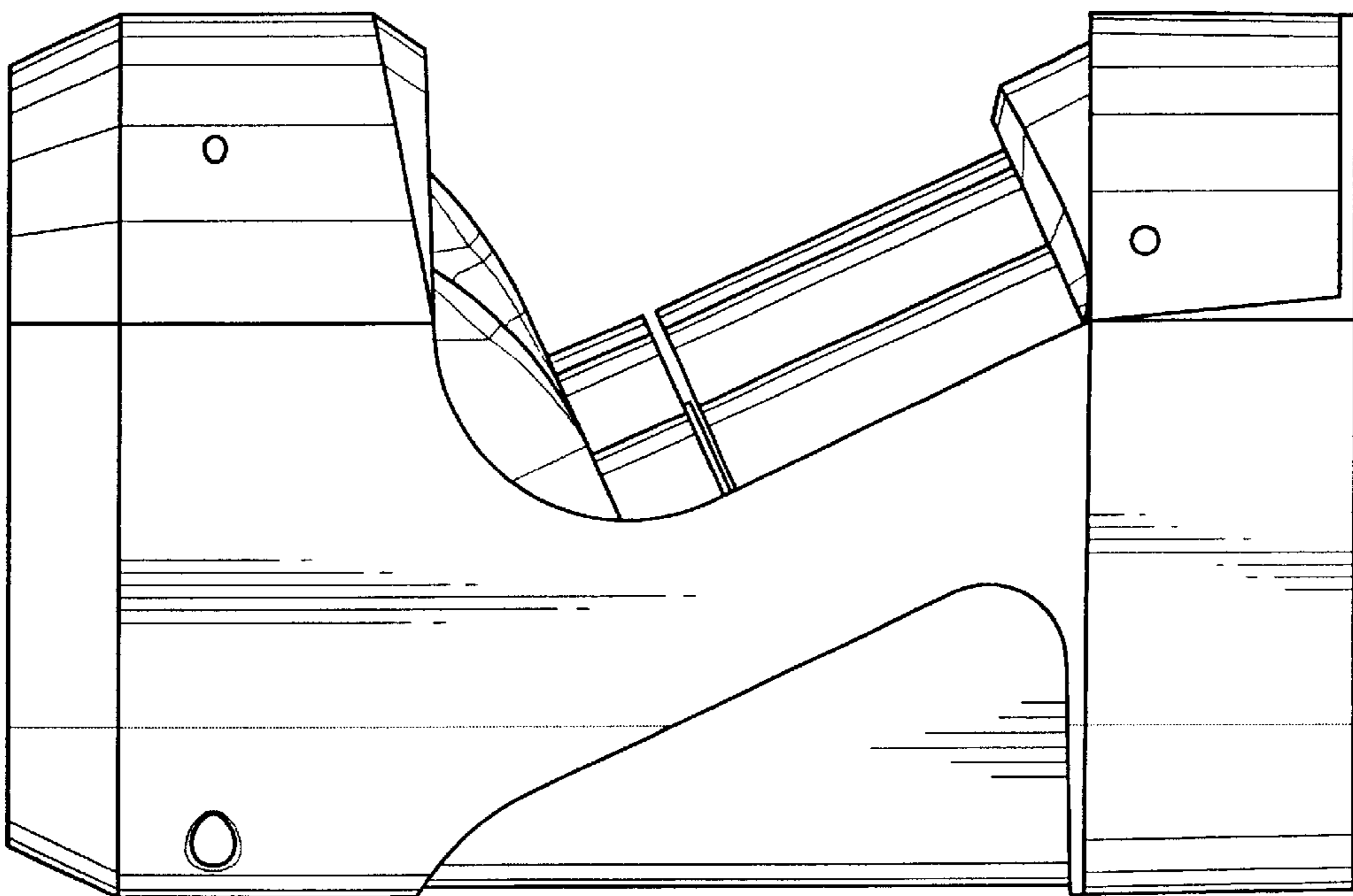


FIG. 2

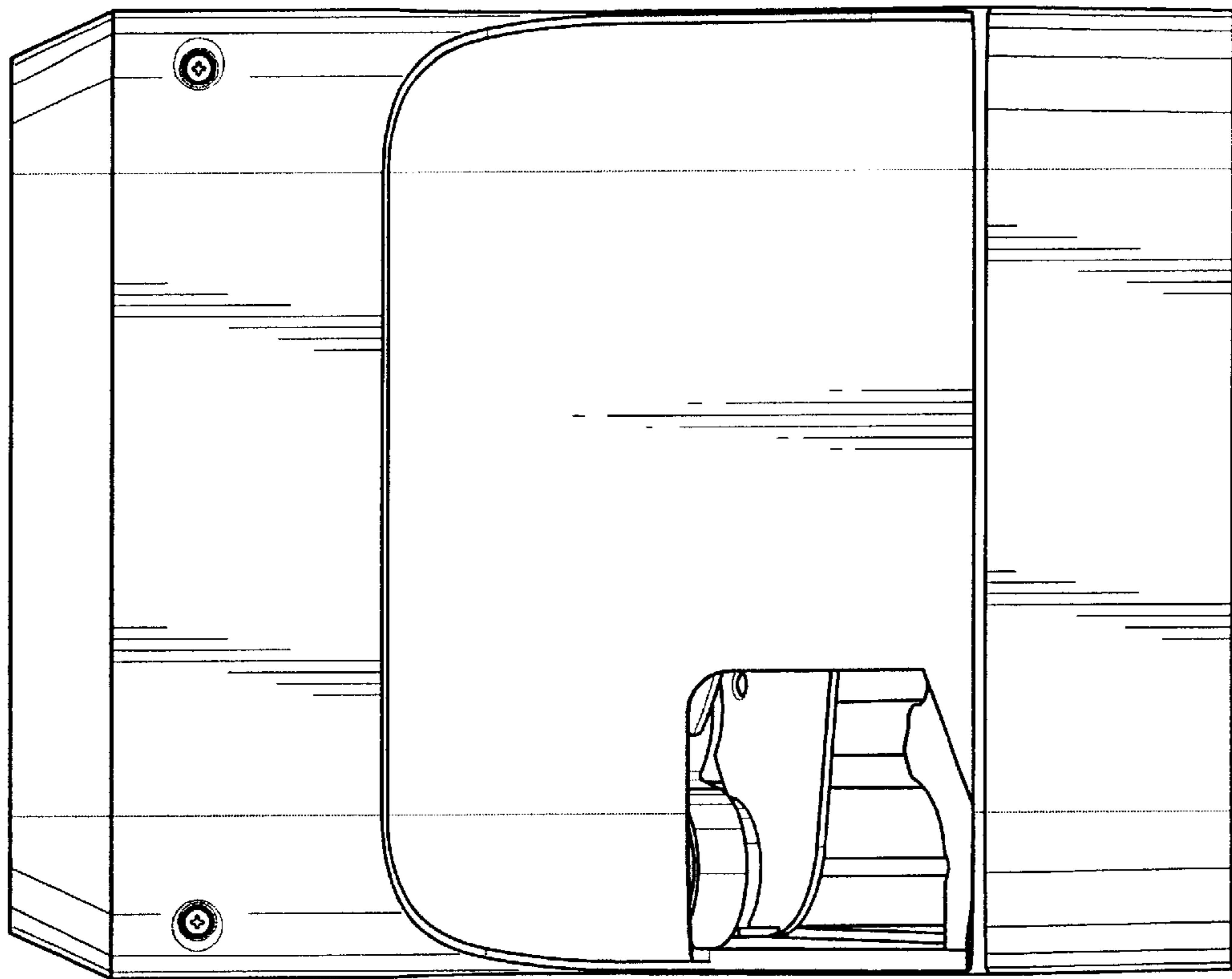


FIG. 5

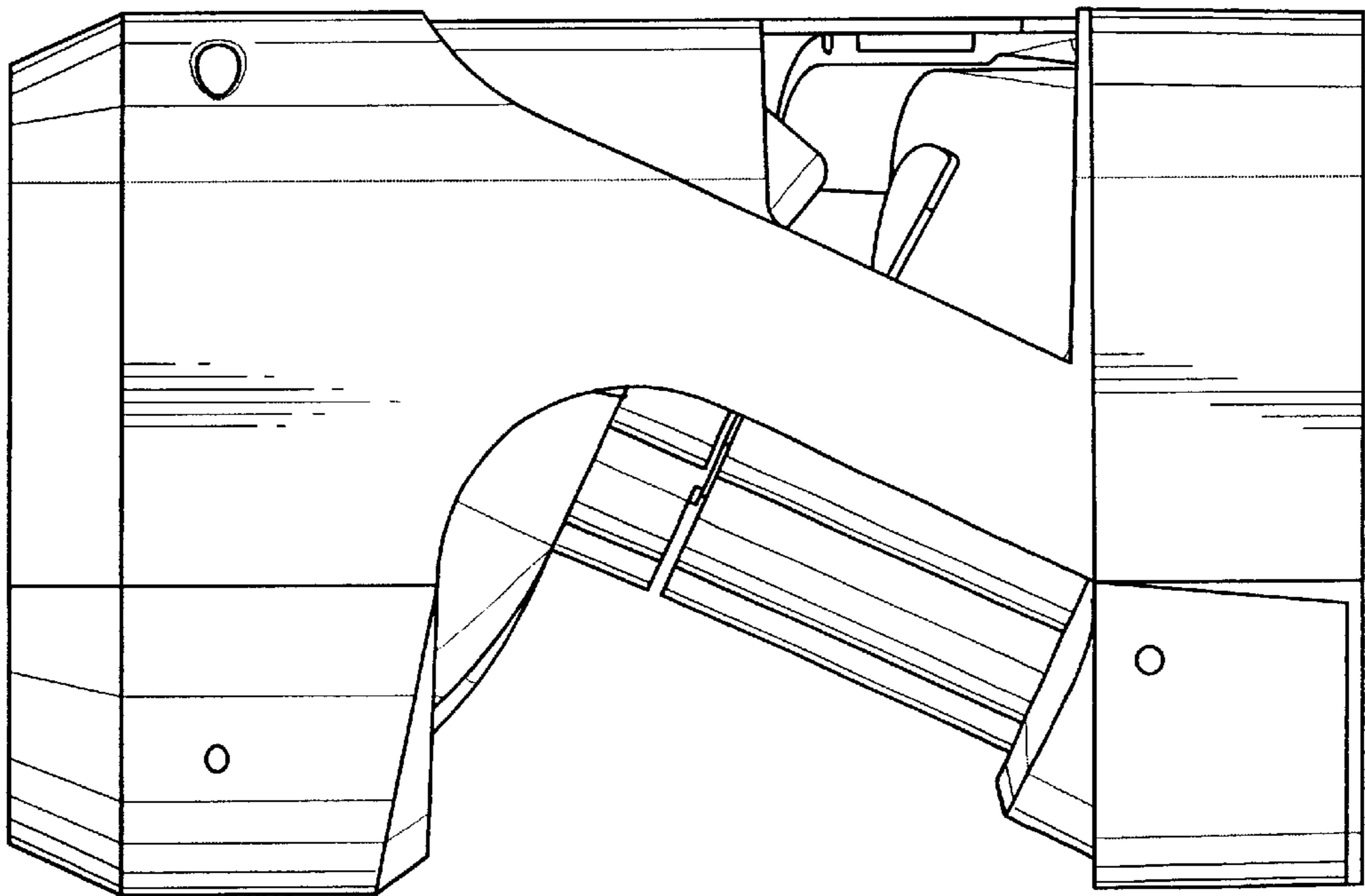


FIG. 4

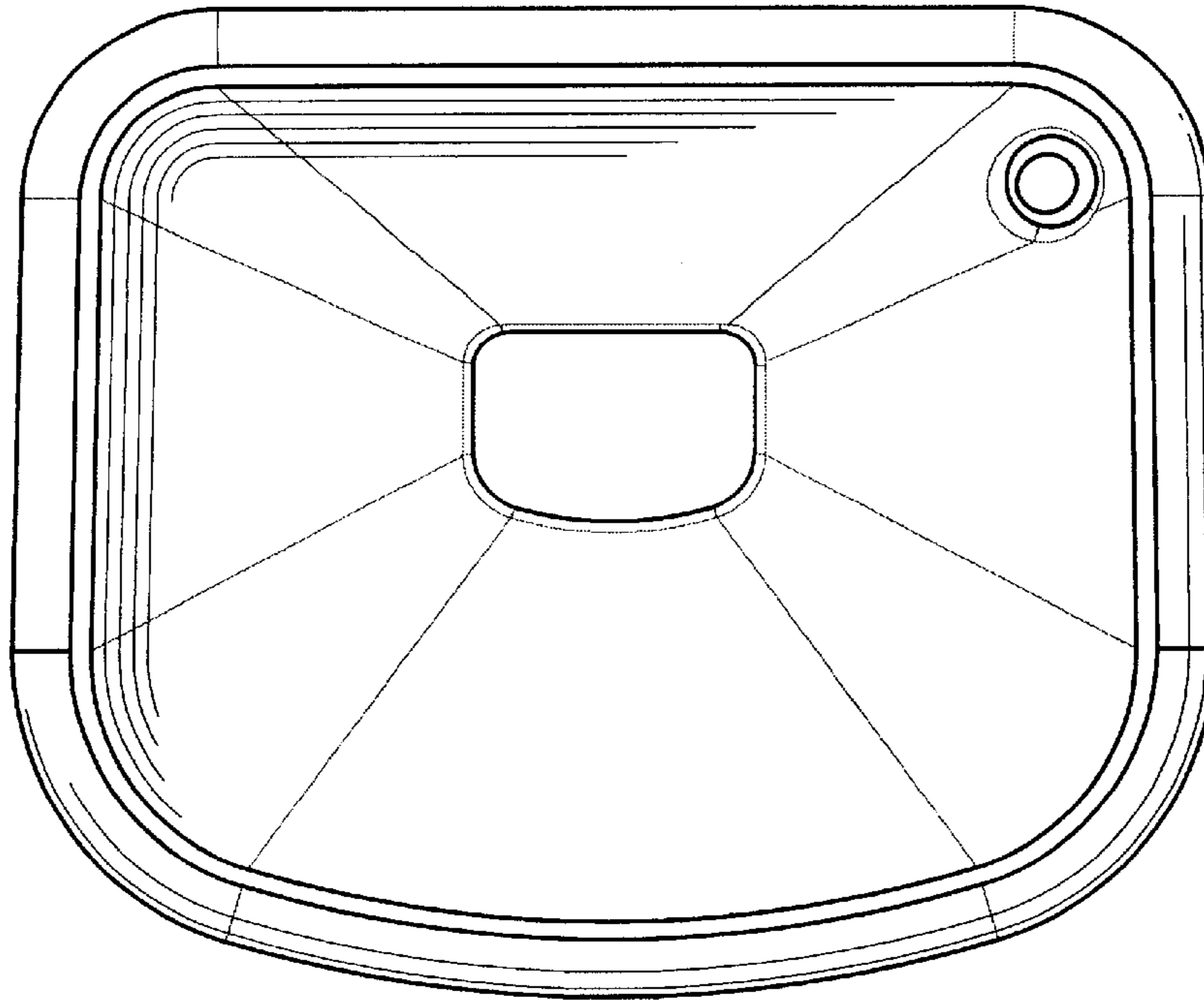


FIG. 6

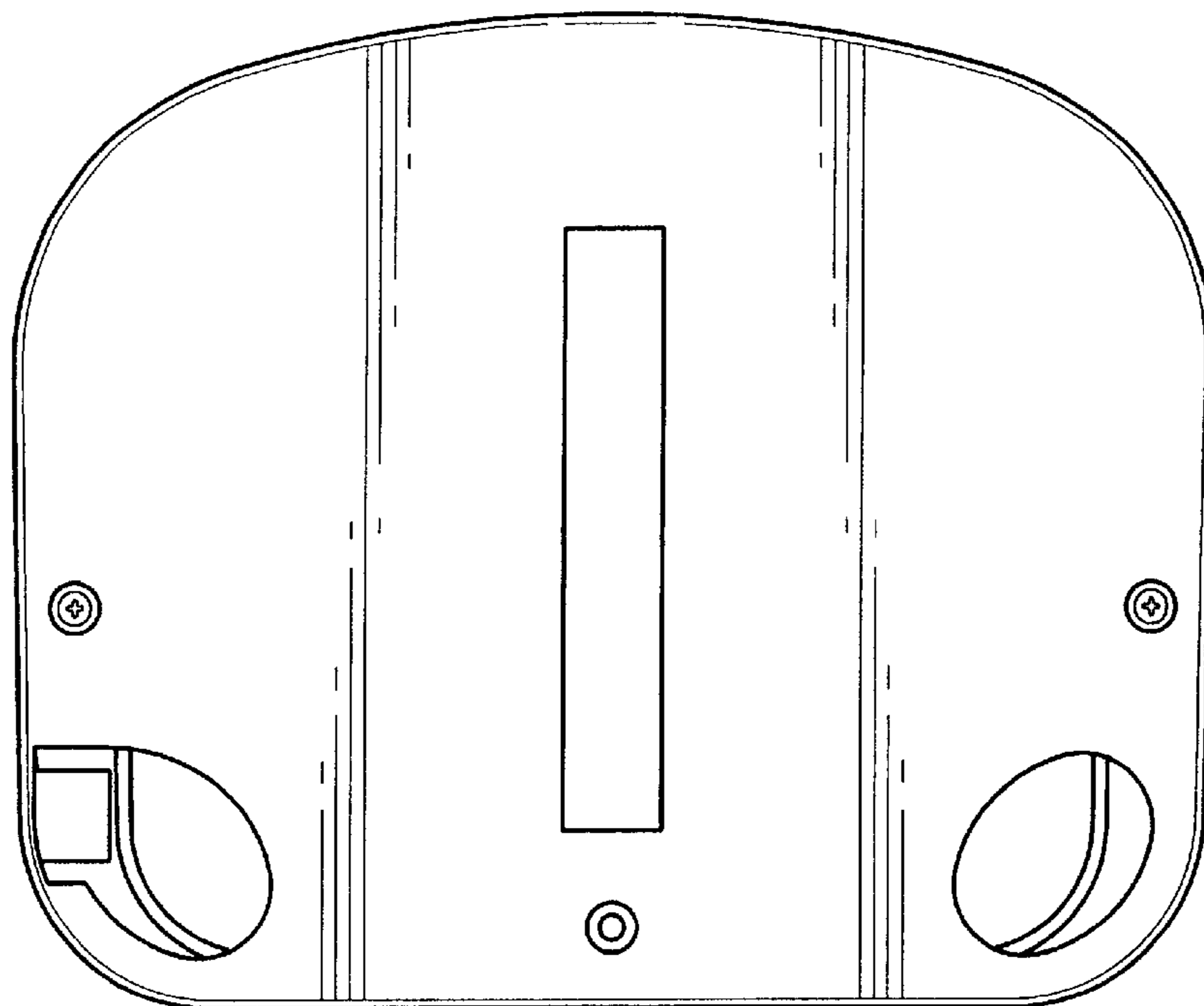


FIG. 7