



US00D460100S

(12) **United States Design Patent**  
**Ho**

(10) **Patent No.:** **US D460,100 S**

(45) **Date of Patent:** **\*\* Jul. 9, 2002**

(54) **FRONT PAD OF EYEGLASSES**

(76) **Inventor:** **Sue-Fen Ho**, 58, Ma Yuan West St.,  
Taichung (TW)

(\*\*) **Term:** **14 Years**

(21) **Appl. No.:** **29/146,930**

(22) **Filed:** **Aug. 17, 2001**

(51) **LOC (7) Cl.** ..... **16-06**

(52) **U.S. Cl.** ..... **D16/330**

(58) **Field of Search** ..... D16/300-330,  
D16/334-336; 351/41, 44, 51, 52, 68, 103-110,  
158; 2/426, 432, 447, 448, 452

(56) **References Cited**

**U.S. PATENT DOCUMENTS**

540,746 A	*	6/1895	Lamb	
3,133,892 A	*	5/1964	Jane	2/426
D228,584 S	*	10/1973	Lablanc	D16/312
3,782,810 A	*	1/1974	Marker	2/432
D319,647 S	*	9/1991	Wilson	D16/314

5,321,444 A	*	6/1994	Lin	351/41
5,495,303 A	*	2/1996	Kolentsi	351/158
D439,597 S	*	3/2001	Marcum	D16/300
D447,764 S	*	9/2001	Chen	D16/330
D448,791 S	*	10/2001	Lee	D16/334

\* cited by examiner

*Primary Examiner*—Raphael Barkai

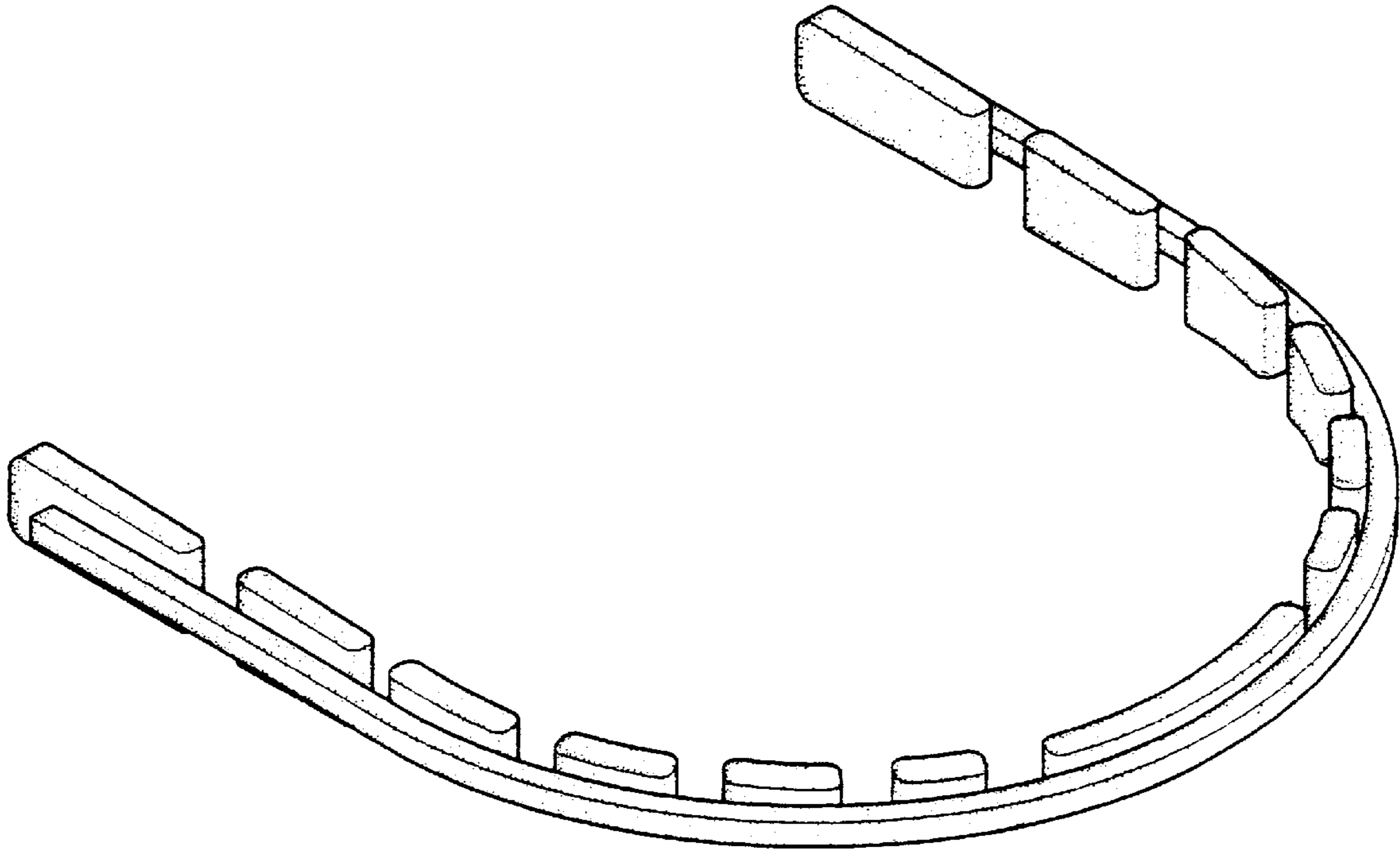
(57) **CLAIM**

The ornamental design for a front pad of eyeglasses, as shown and described.

**DESCRIPTION**

FIG. 1 is a perspective view of a front pad of eyeglasses showing my new design;  
FIG. 2 is a front elevational view thereof;  
FIG. 3 is a rear elevational view thereof;  
FIG. 4 is a left side elevational view thereof;  
FIG. 5 is a right side elevational view thereof;  
FIG. 6 is a top plan view thereof; and,  
FIG. 7 is a bottom plan view thereof.

**1 Claim, 4 Drawing Sheets**



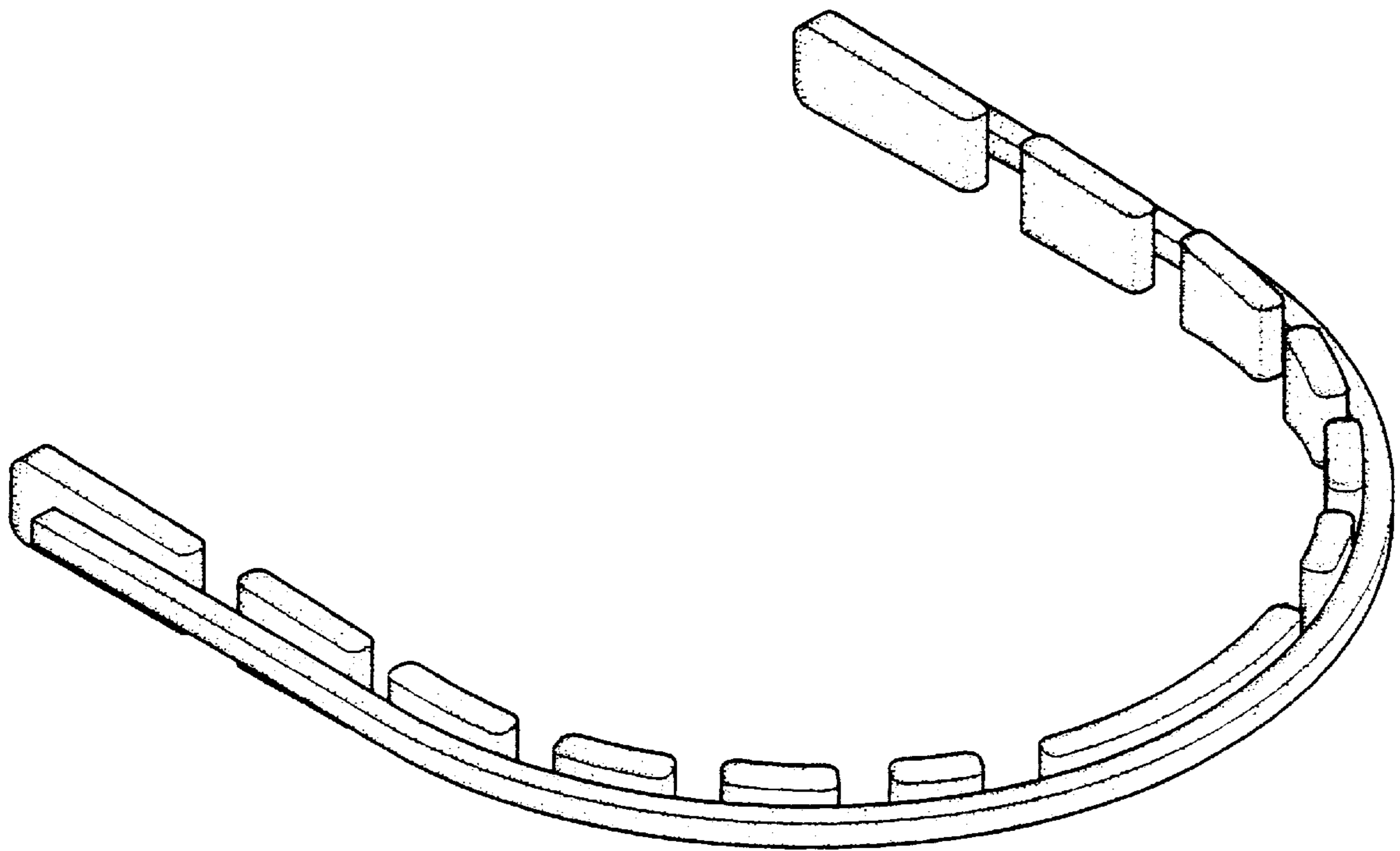


FIG.1

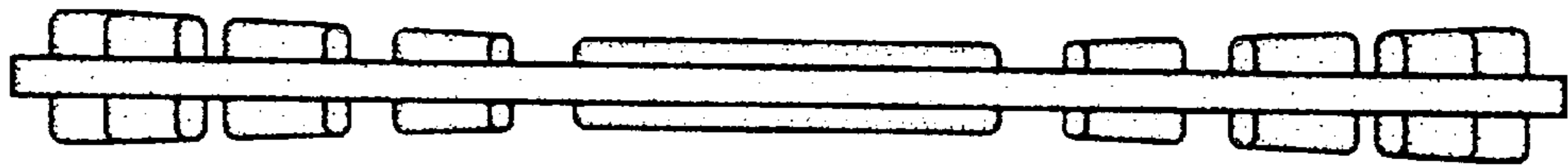


FIG. 2

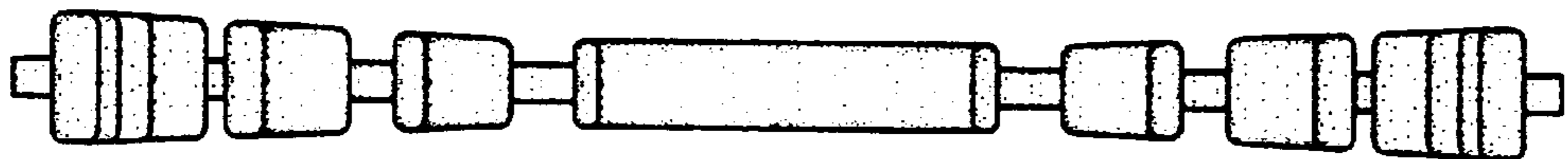


FIG. 3

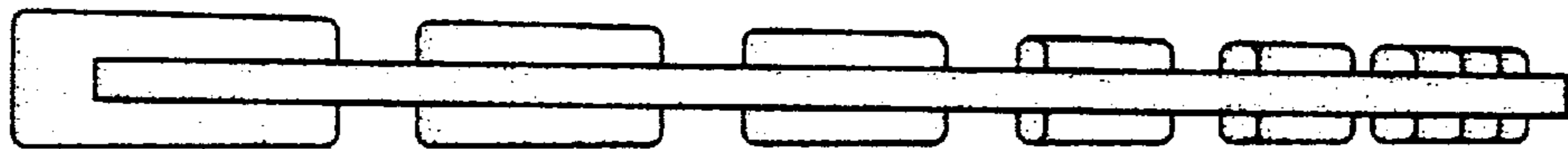


FIG. 4

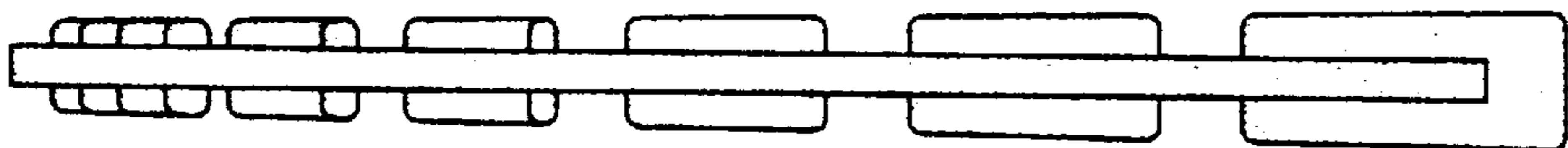


FIG. 5

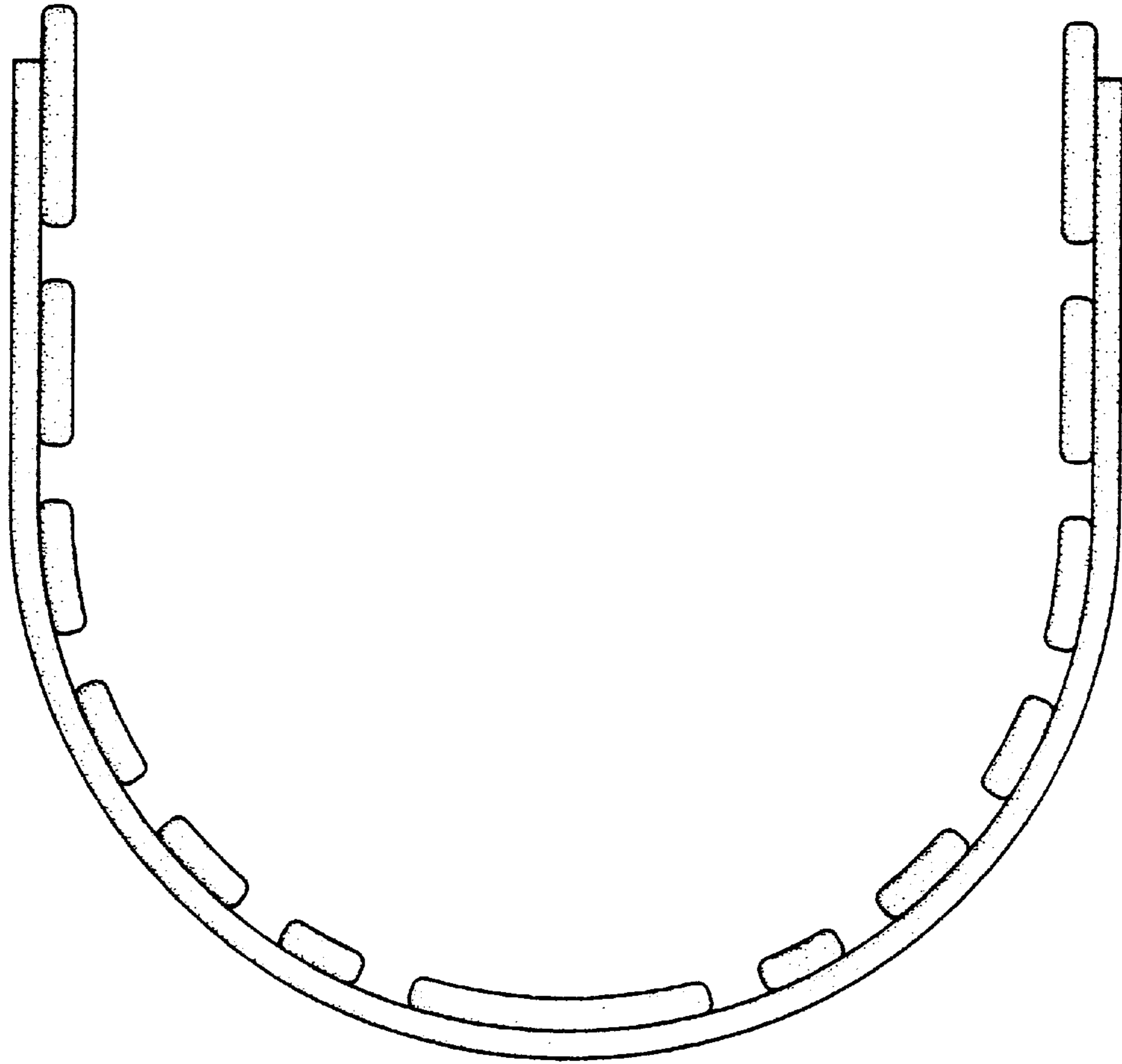


FIG.6

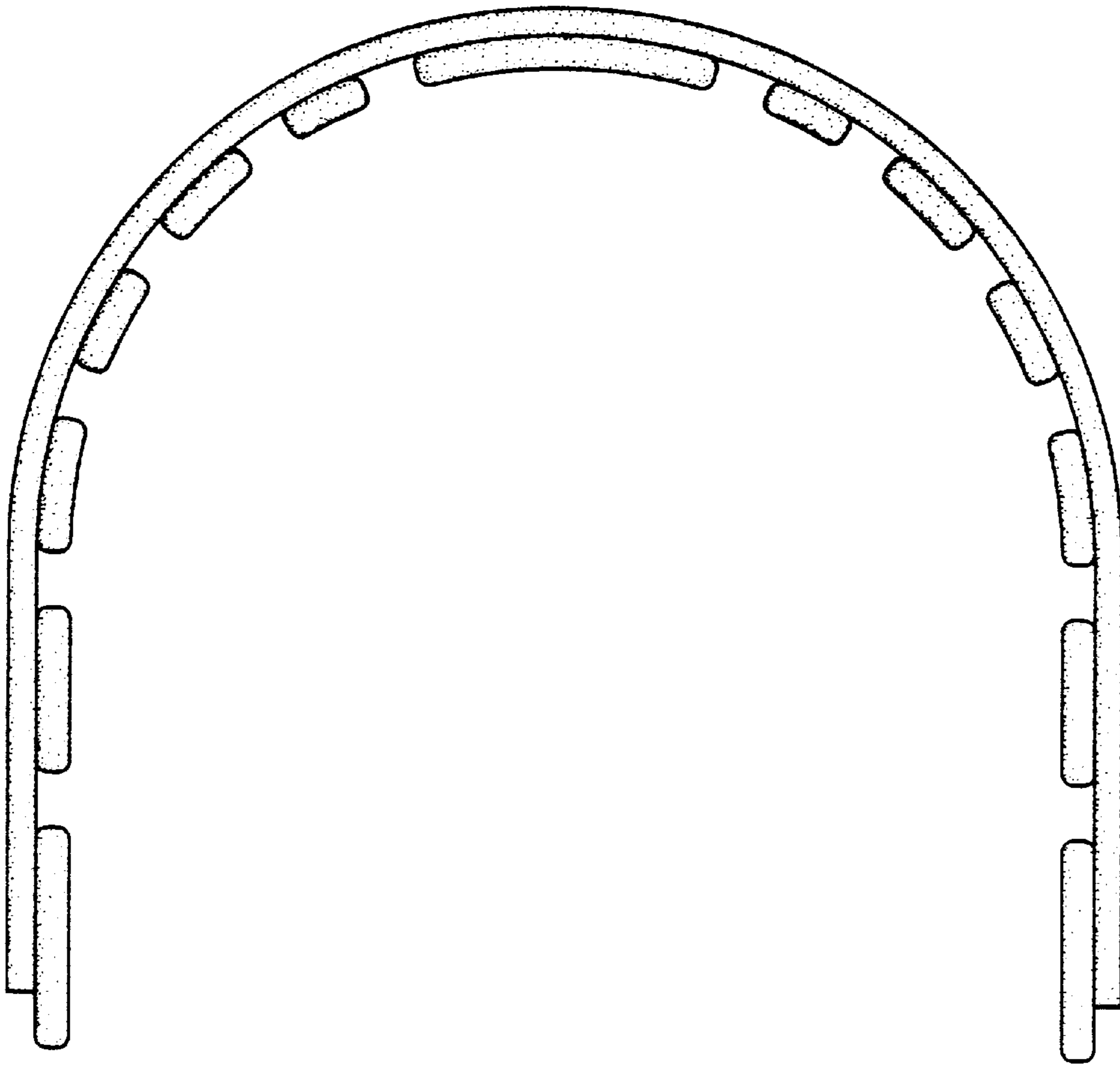


FIG.7